

US00D509310S

(12) **United States Design Patent** (10) **Patent No.:** **US D509,310 S**  
**Komiya et al.** (45) **Date of Patent:** **\*\* Sep. 6, 2005**

(54) **HALOGEN BULB**

FOREIGN PATENT DOCUMENTS

(75) Inventors: **Akitoshi Komiya**, Tokyo (JP);  
**Kazuyoshi Okamura**, Tokyo (JP);  
**Makoto Sakai**, Yokosuka (JP); **Makoto Bessho**, Yokosuka (JP)

JP	1173470	5/1903
JP	749919	* 6/1985
JP	749919	11/1988
JP	999757	* 3/1996
JP	999757	12/1997
JP	10-040879	2/1998

(73) Assignees: **Toshiba Lighting & Technology Corporation**, Tokyo (JP);  
**Osram-Melco Toshiba Lighting Ltd.**, Kanagawa (JP)

OTHER PUBLICATIONS

Mar. 06, 2001 Exhibition product catalog MITSUBISHI / OSRAM, page 8.\*

(\*\*) Term: **14 Years**

\* cited by examiner

(21) Appl. No.: **29/214,400**

*Primary Examiner*—Marcus A. Jackson

(22) Filed: **Sep. 30, 2004**

(74) *Attorney, Agent, or Firm*—J.C. Patents

(30) **Foreign Application Priority Data**

(57) **CLAIM**

Jun. 7, 2004 (JP) ..... 2004-016858

The ornamental design for a halogen bulb, as shown and described.

(51) **LOC (8) Cl.** ..... **26-06**

**DESCRIPTION**

(52) **U.S. Cl.** ..... **D26/2**

FIG. 1 is a perspective view of a halogen bulb showing the new design.

(58) **Field of Search** ..... D26/1-4; 313/313,  
313/315, 317, 318, 491, 493; 315/52, 53,  
56, 57, 58

FIG. 2 is a front view thereof.

FIG. 3 is a rear view thereof.

FIG. 4 is a left side view thereof.

FIG. 5 is a right side view thereof.

FIG. 6 is a top view thereof.

FIG. 7 is a bottom view thereof.

FIG. 8 is an end elevational view in section taken along line 8—8 in FIG. 2; and,

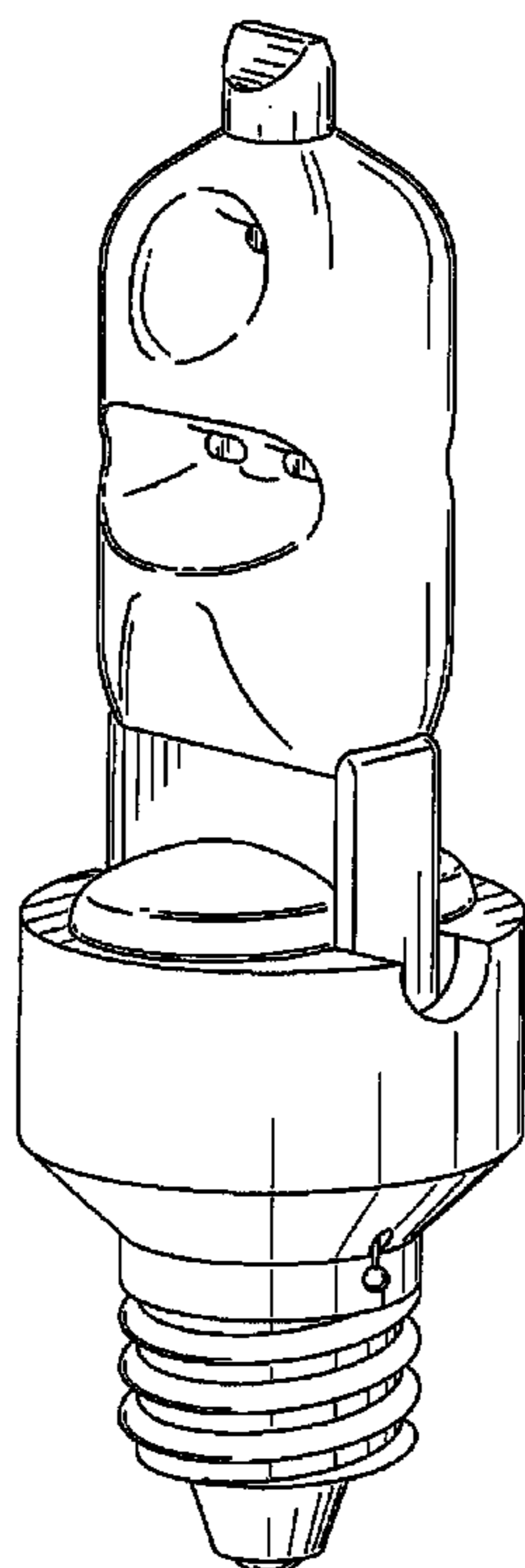
FIG. 9 is an end elevational view in section taken along line 9—9 in FIG. 2.

(56) **References Cited**

U.S. PATENT DOCUMENTS

5,270,609 A	*	12/1993	Smith et al.	.....	D26/2
D395,714 S	*	6/1998	Murata	.....	D26/2
D456,090 S	*	4/2002	Benensohn	.....	D26/2
D464,445 S	*	10/2002	Honda et al.	.....	D26/2
D482,142 S	*	11/2003	Honda et al.	.....	D26/2
D503,986 S	*	4/2005	Yiu	.....	D26/2

**1 Claim, 9 Drawing Sheets**



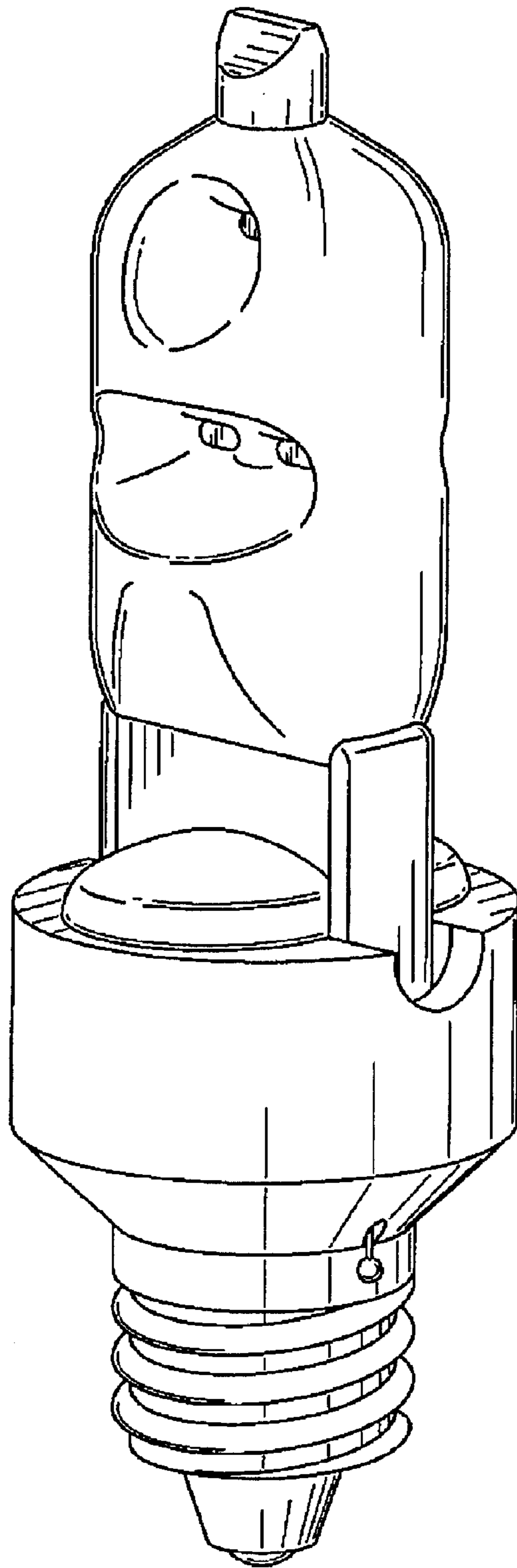
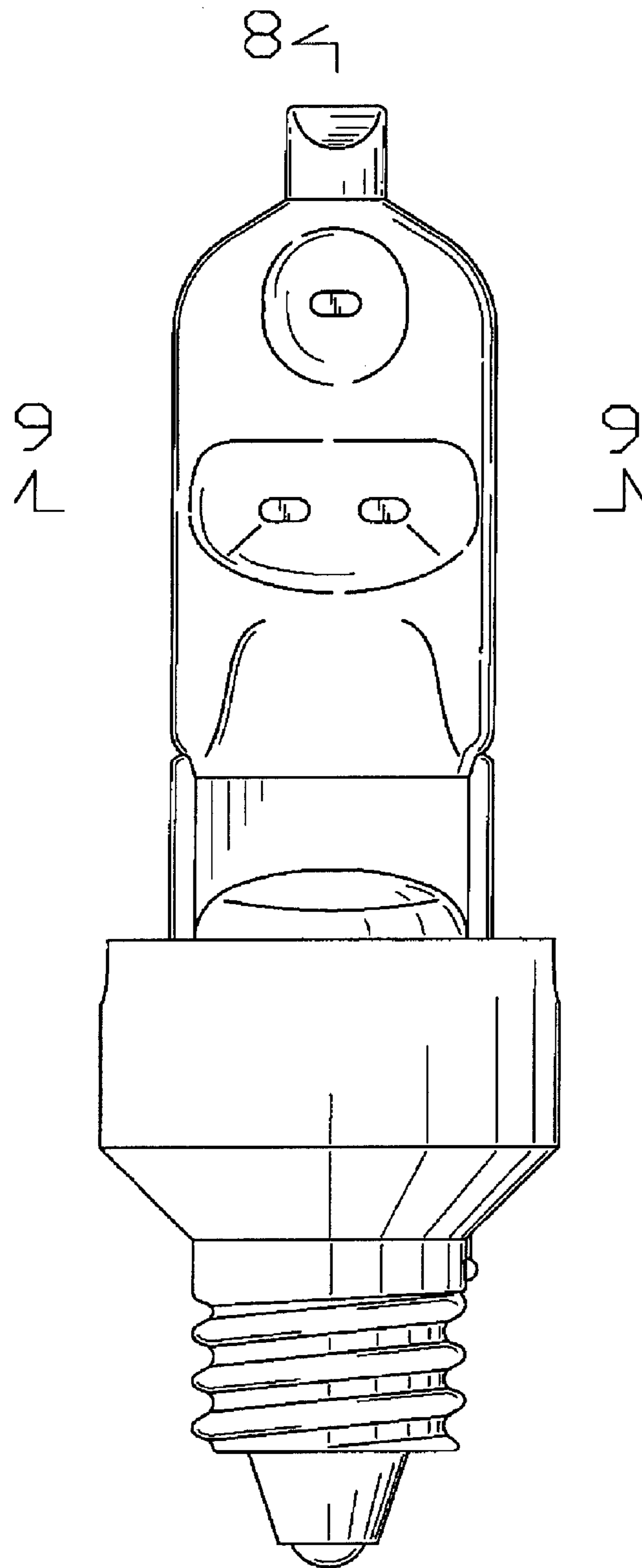


FIG. 1



8

FIG. 2

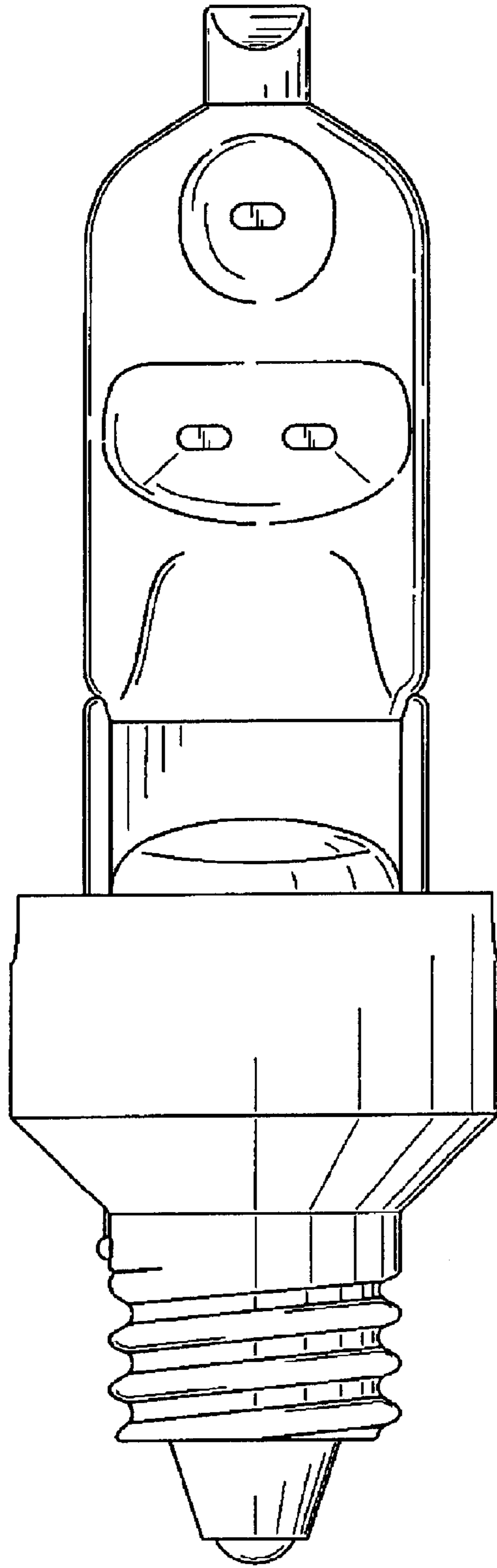


FIG. 3

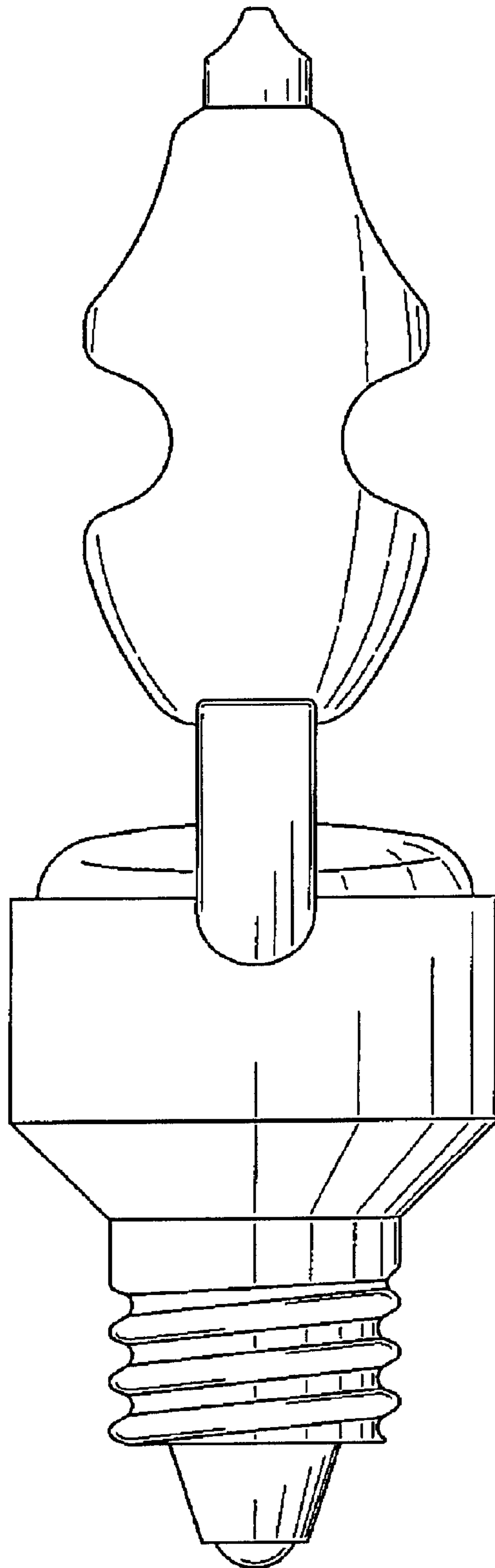


FIG. 4

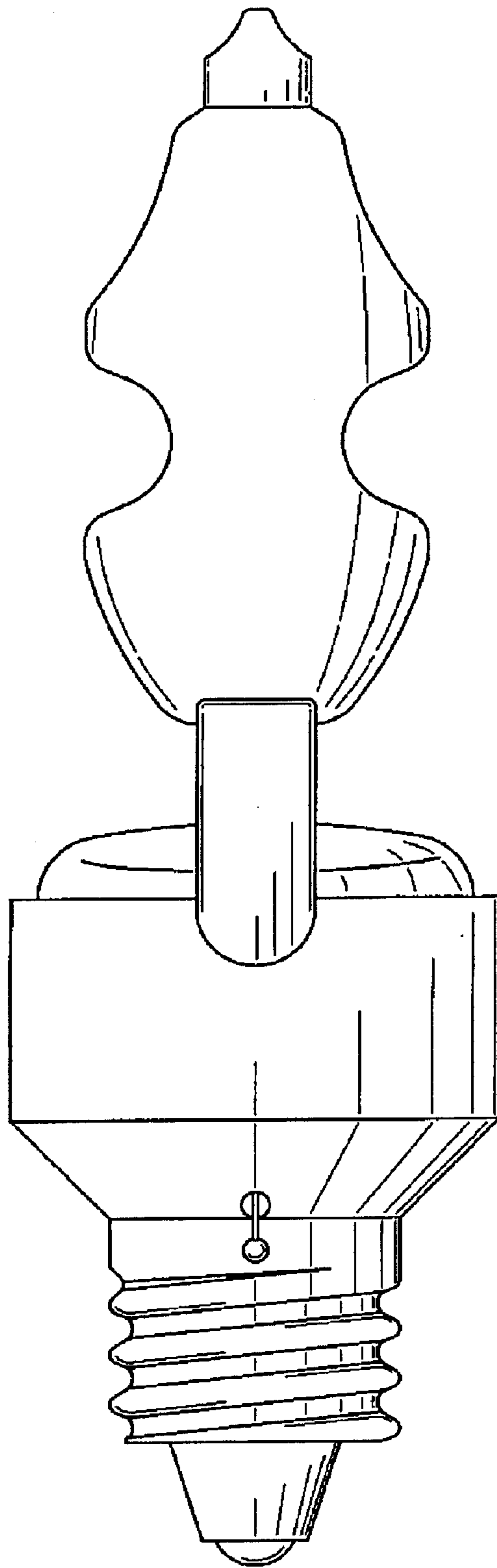


FIG. 5

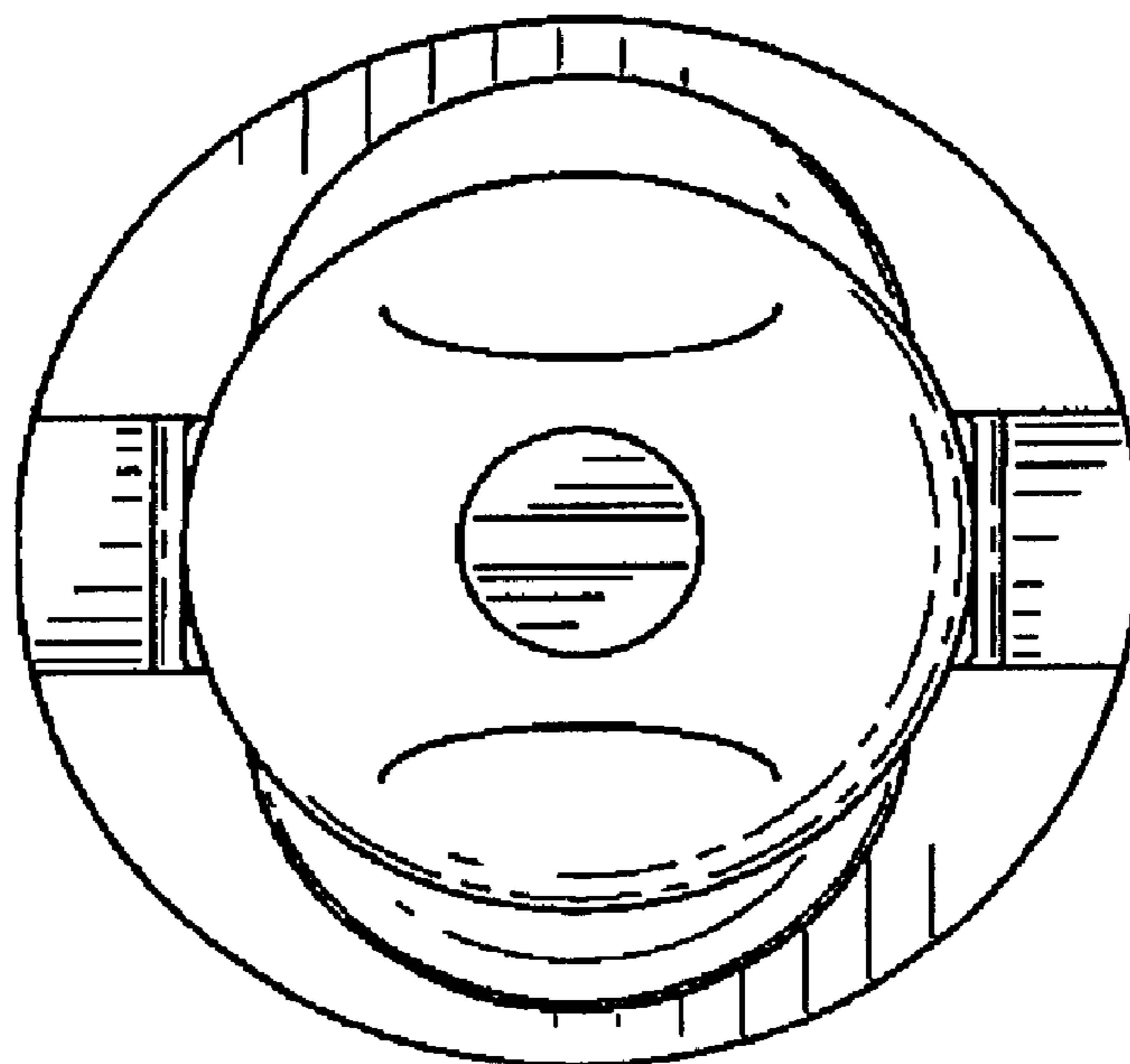


FIG. 6

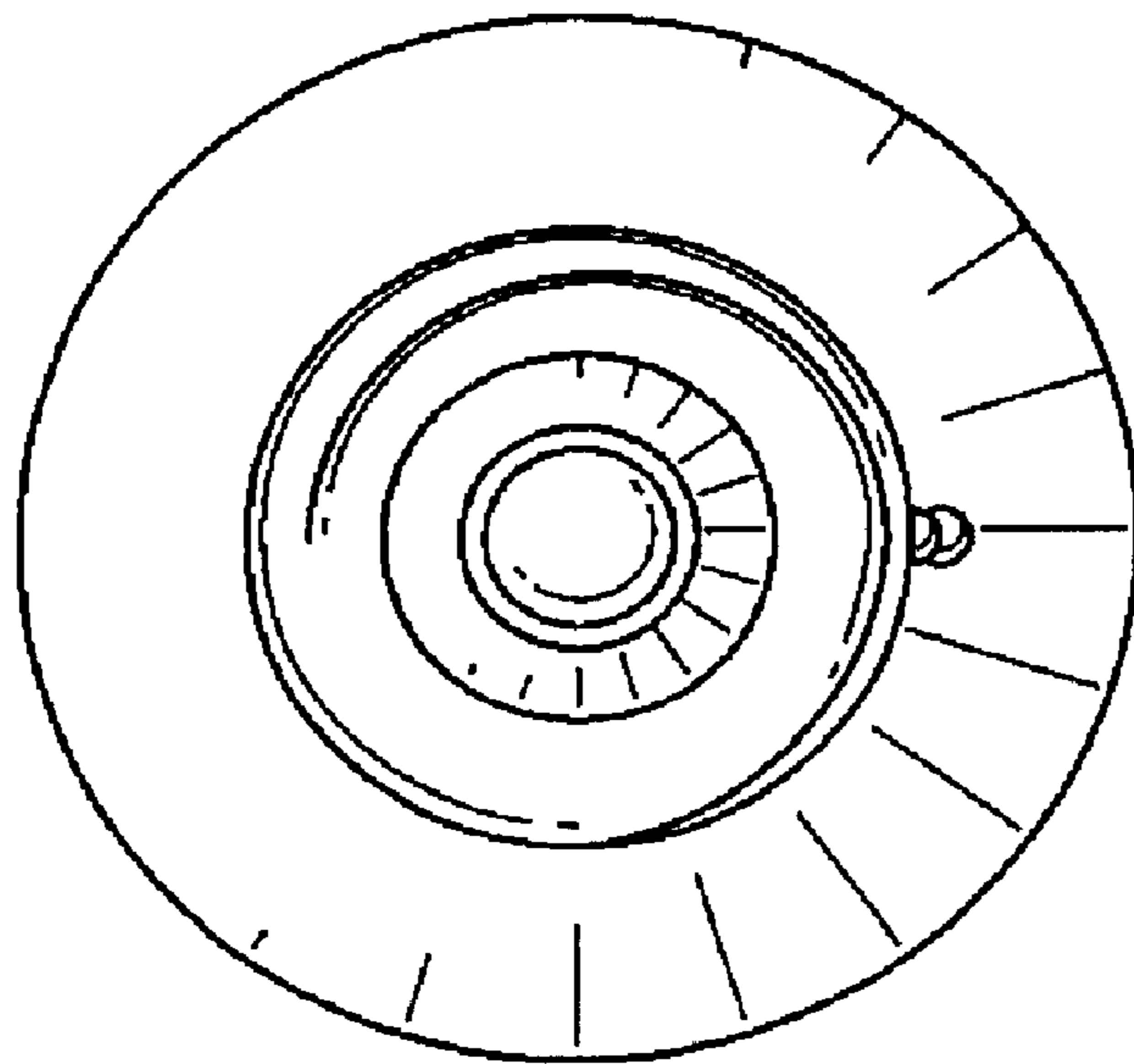


FIG. 7



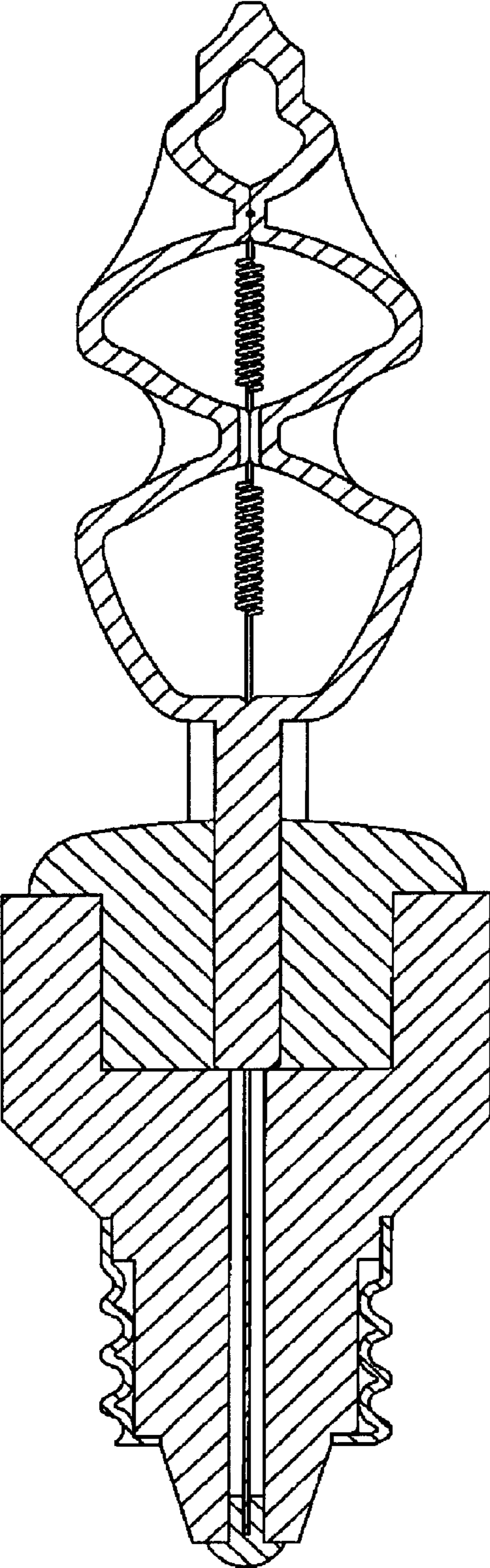


FIG. 8

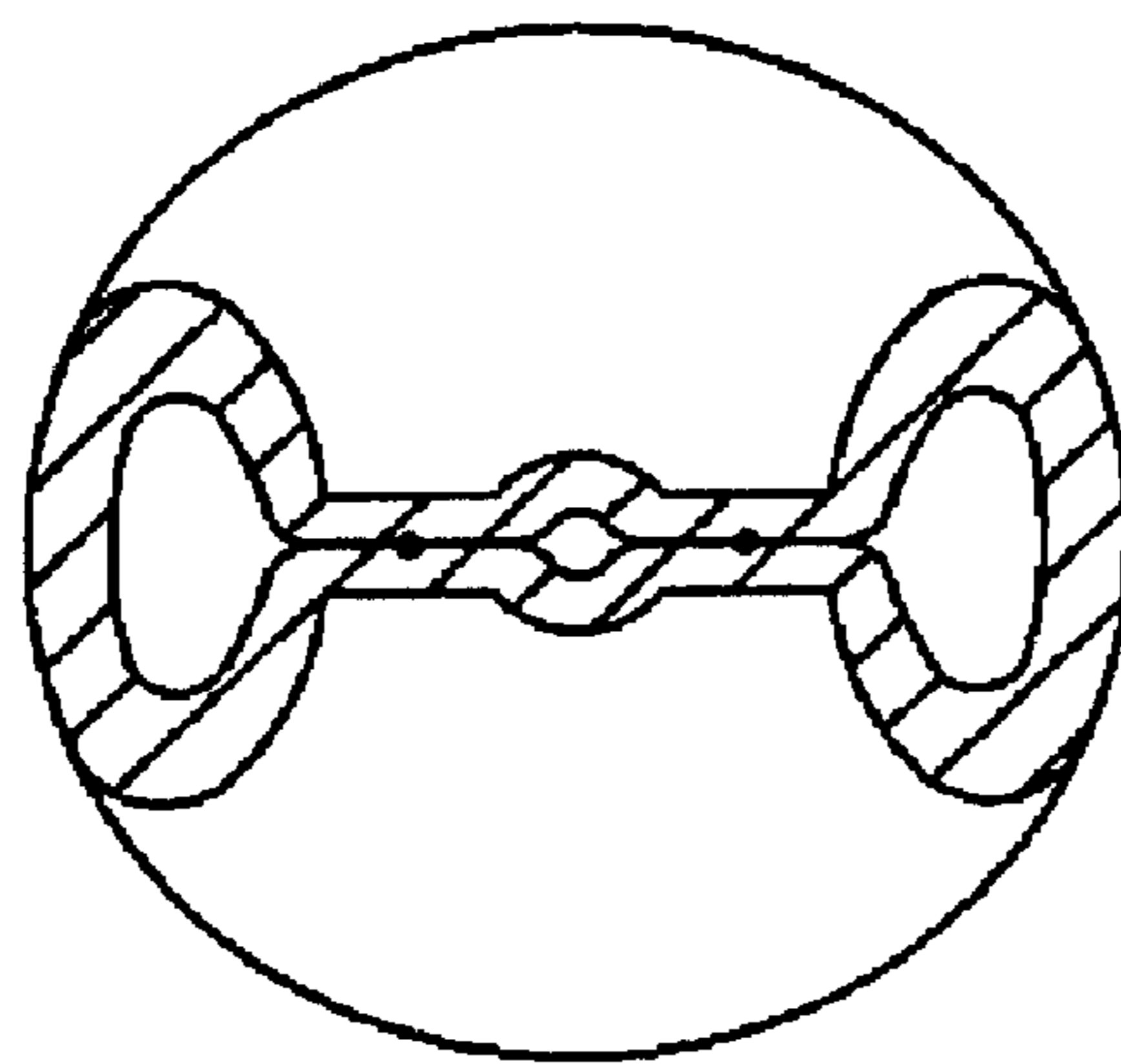


FIG. 9