

US00D509304S

(12) **United States Design Patent**
Veto

(10) **Patent No.:** **US D509,304 S**

(45) **Date of Patent:** **** Sep. 6, 2005**

(54) **WINDOW AND FRAME WITH ENCLOSURE FOR AIR CONDITIONER**

Primary Examiner—Doris Clark

(76) **Inventor:** **Jay Veto**, 6731 Louis Pasteur #25,
Montreal, Quebec (CA), H4W 1A2

(57) **CLAIM**

The ornamental design for a window and frame with enclosure for air conditioner, as shown and described.

(**) **Term:** **14 Years**

DESCRIPTION

(21) **Appl. No.:** **29/173,832**

FIG. 1, is a left side perspective view of a first embodiment of a window and frame with enclosure for air conditioner showing my new design;

(22) **Filed:** **Jan. 8, 2003**

(51) **LOC (8) Cl.** **25-02**

FIG. 2, is a front view thereof;

(52) **U.S. Cl.** **D25/52**

FIG. 3, is a top view thereof;

(58) **Field of Search** D23/252, 253;
52/202, 511; 62/262; 312/101

FIG. 4, is a bottom view thereof;

FIG. 5, is a left side view thereof;

(56) **References Cited**

U.S. PATENT DOCUMENTS

2,826,472	A	*	3/1958	Humphner	312/101
D227,088	S	*	6/1973	Francis	D25/35
5,035,116	A	*	7/1991	Main	62/77
5,839,654	A	*	11/1998	Weber	236/47
6,061,981	A	*	5/2000	Nieves	52/202

FIG. 6, is a right side view thereof;

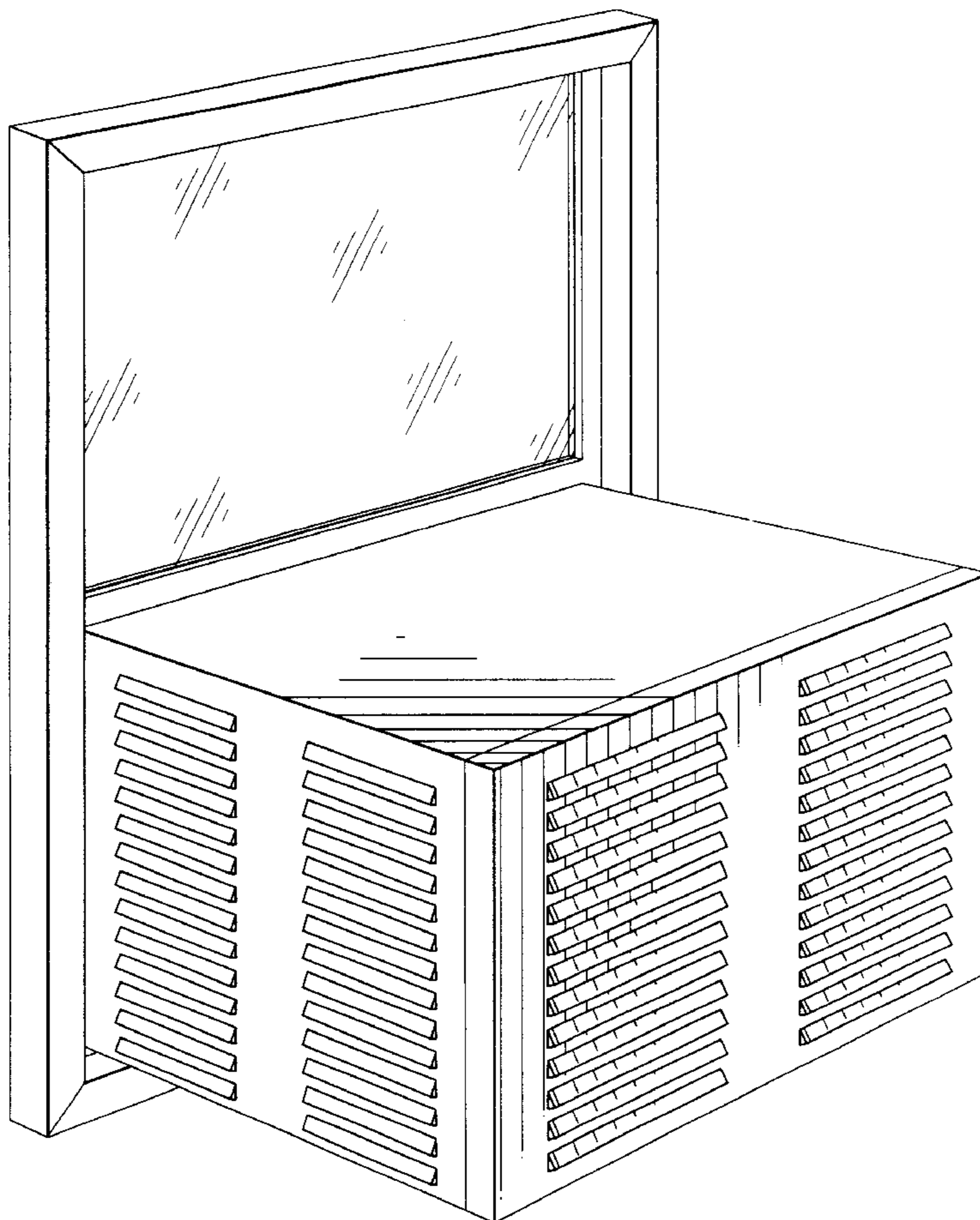
FIG. 7, is a rear view thereof;

FIG. 8, is a left side perspective view of a second embodiment of a window and frame with enclosure for air conditioner;

FIG. 9, is a left side perspective view of a third embodiment of a window and frame with enclosure for air conditioner.

* cited by examiner

1 Claim, 5 Drawing Sheets



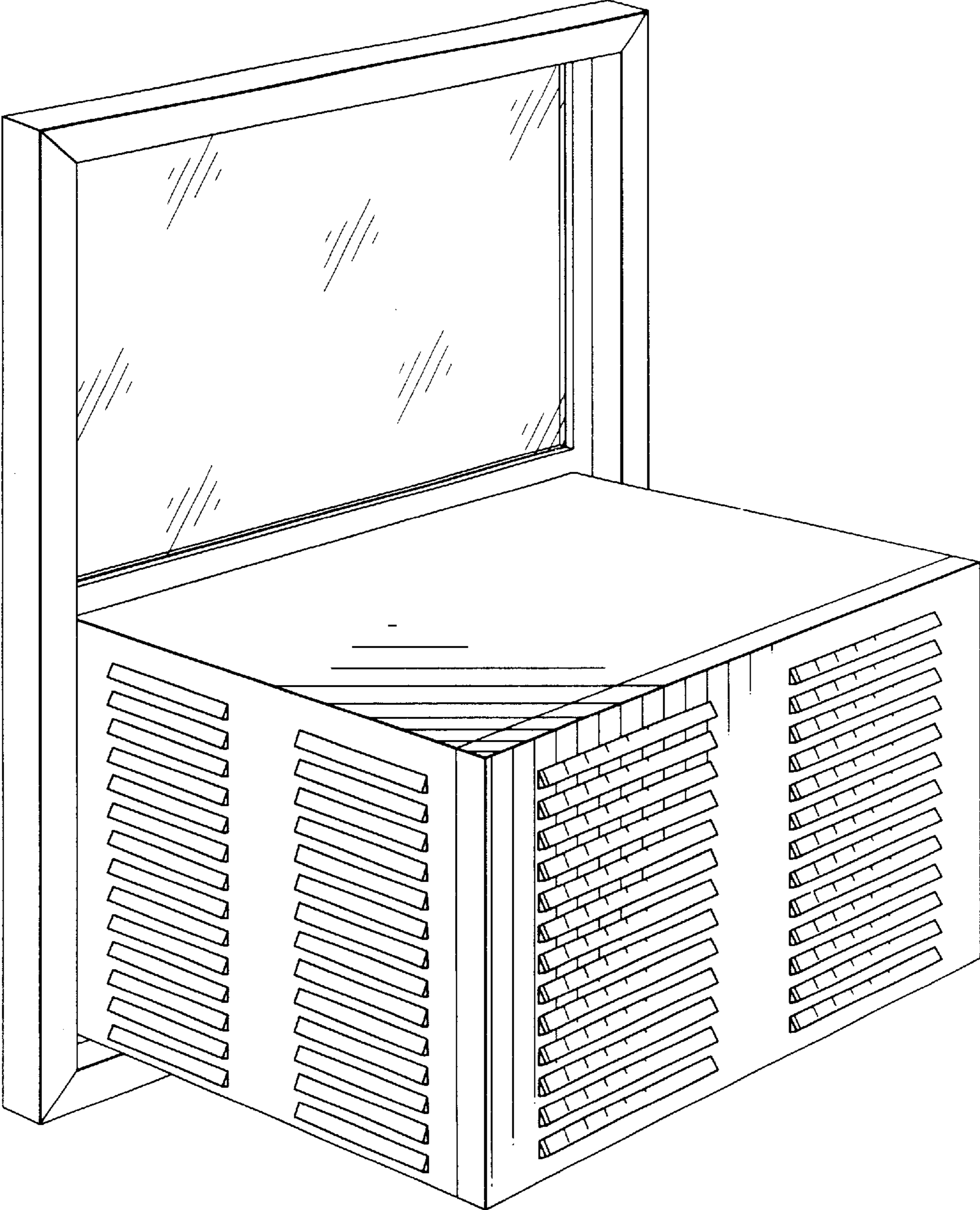


Fig. #1

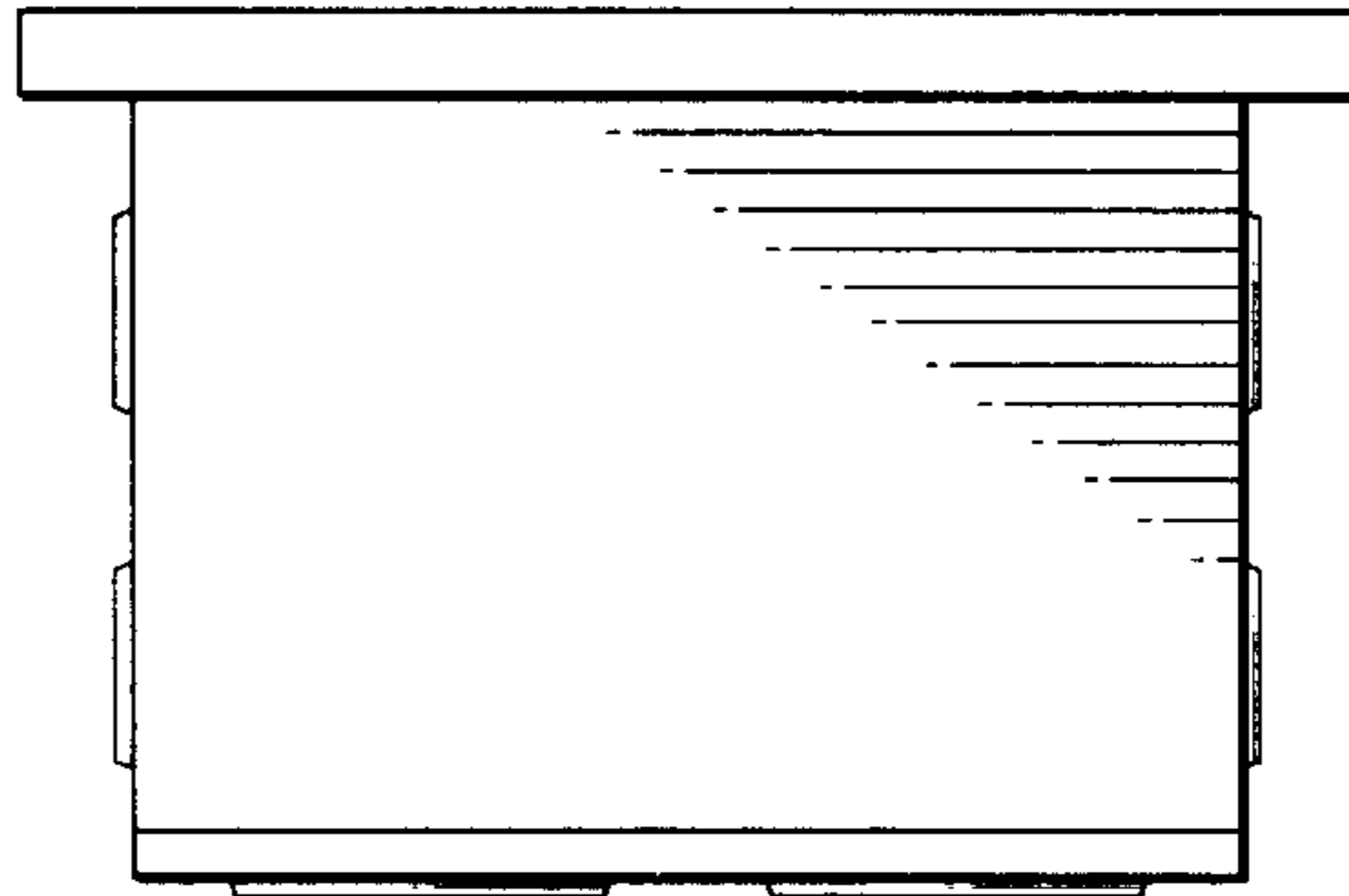


Fig. #3

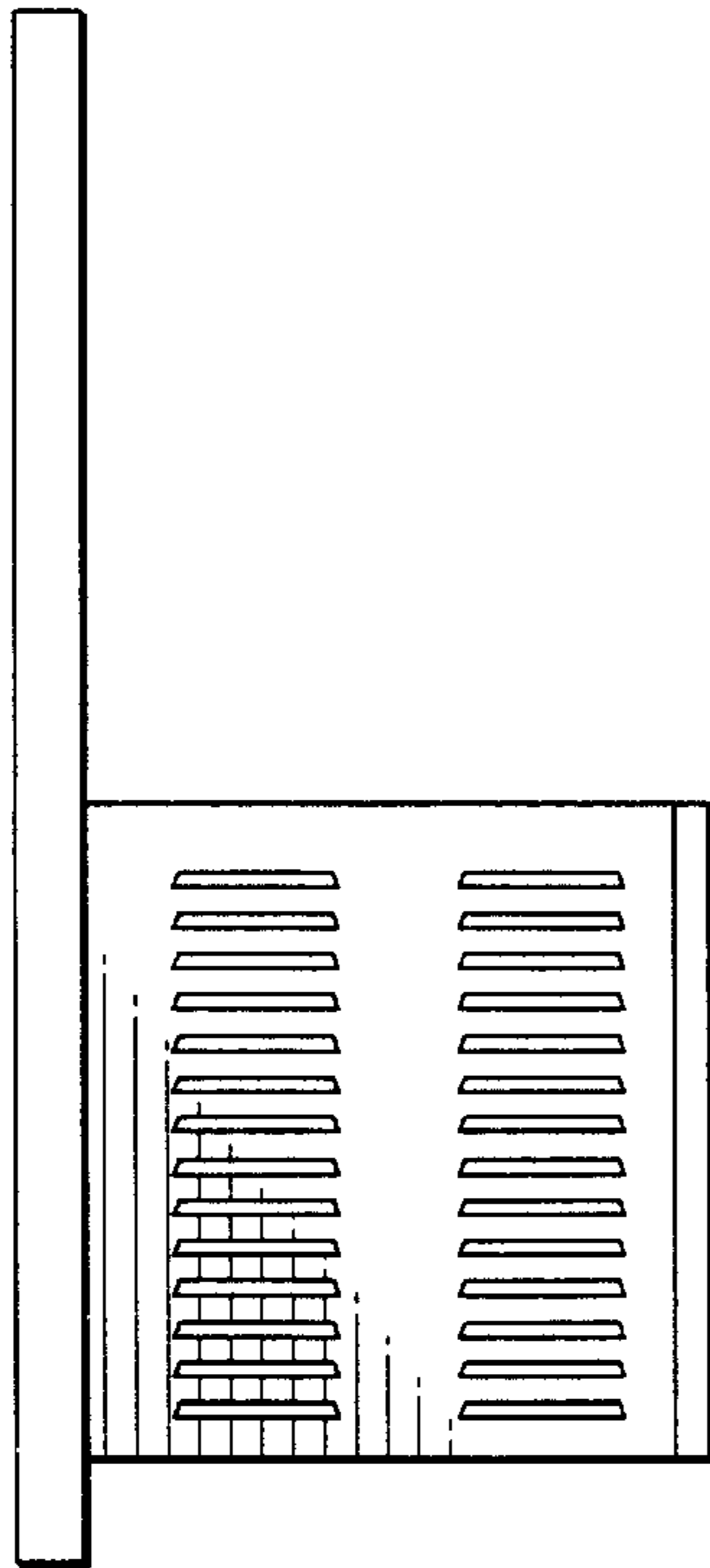


Fig. #5

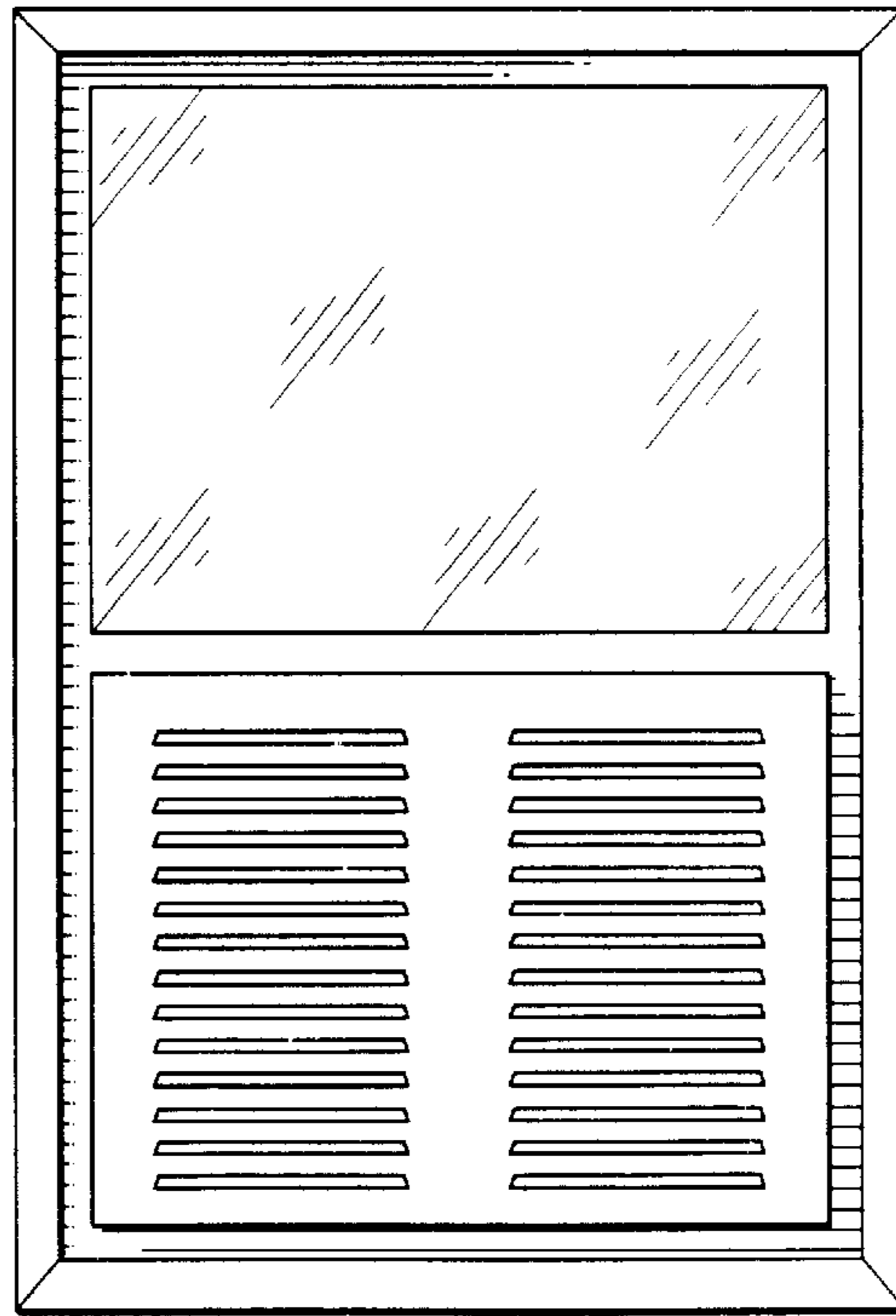


Fig. #2

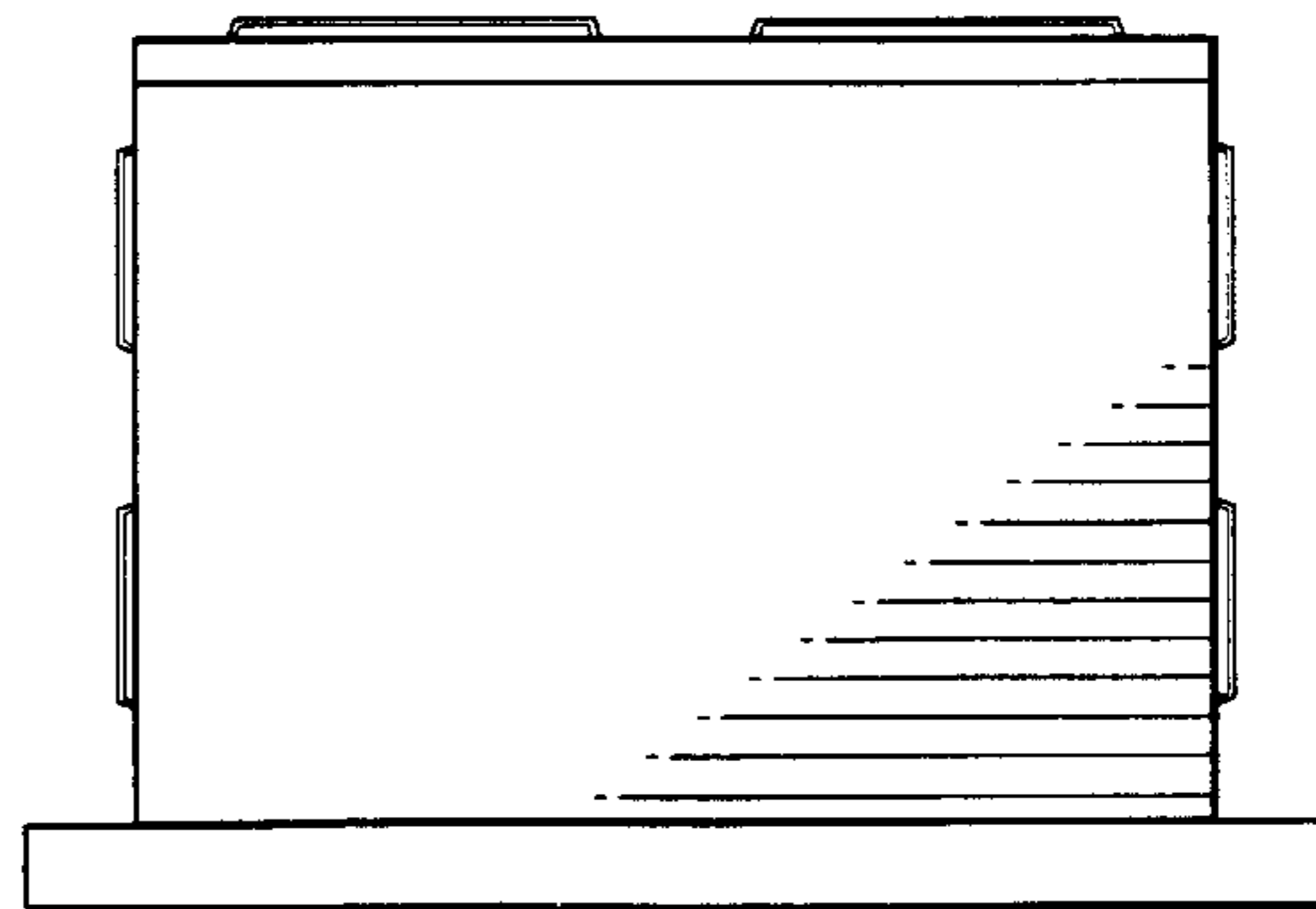


Fig. #4

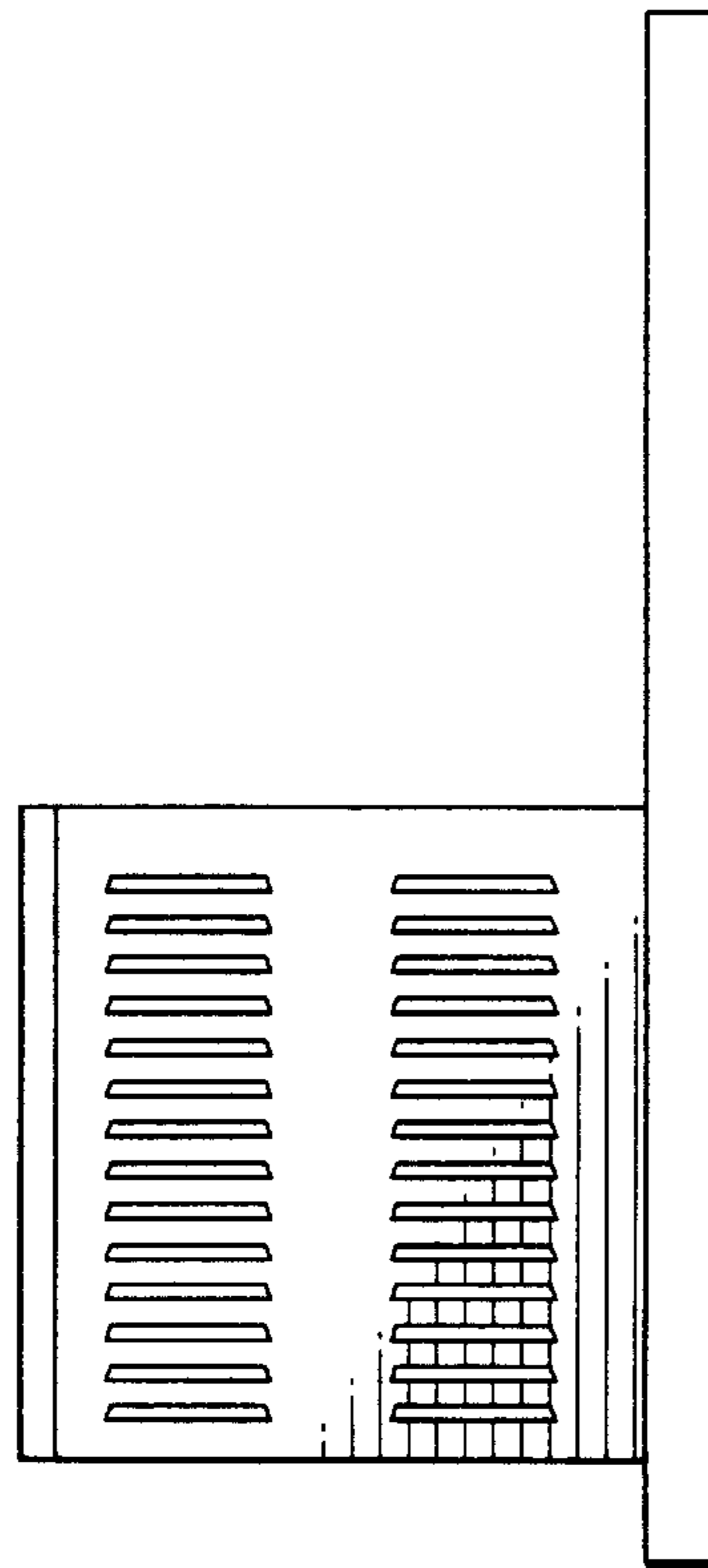


Fig. #6

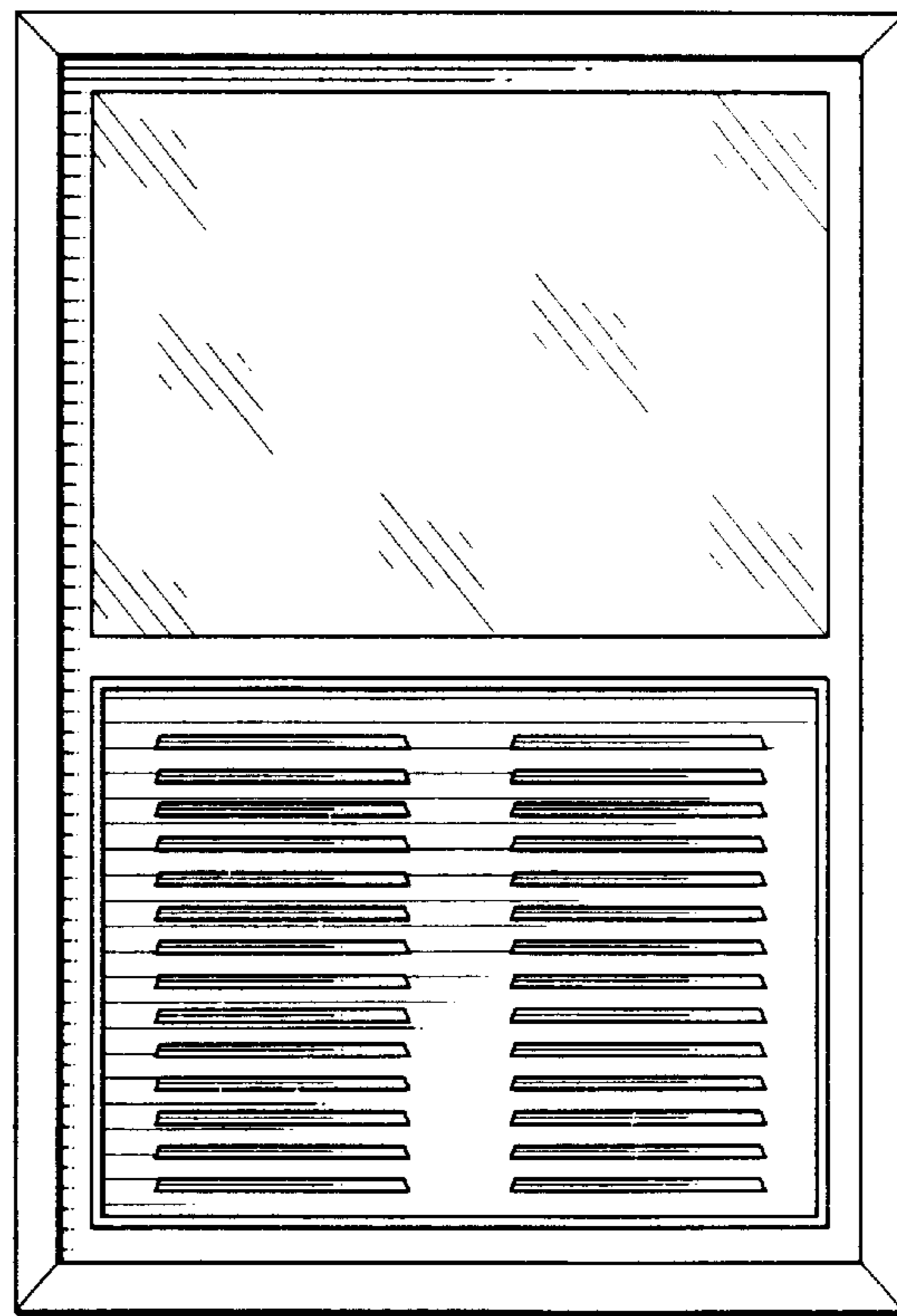


Fig. #7

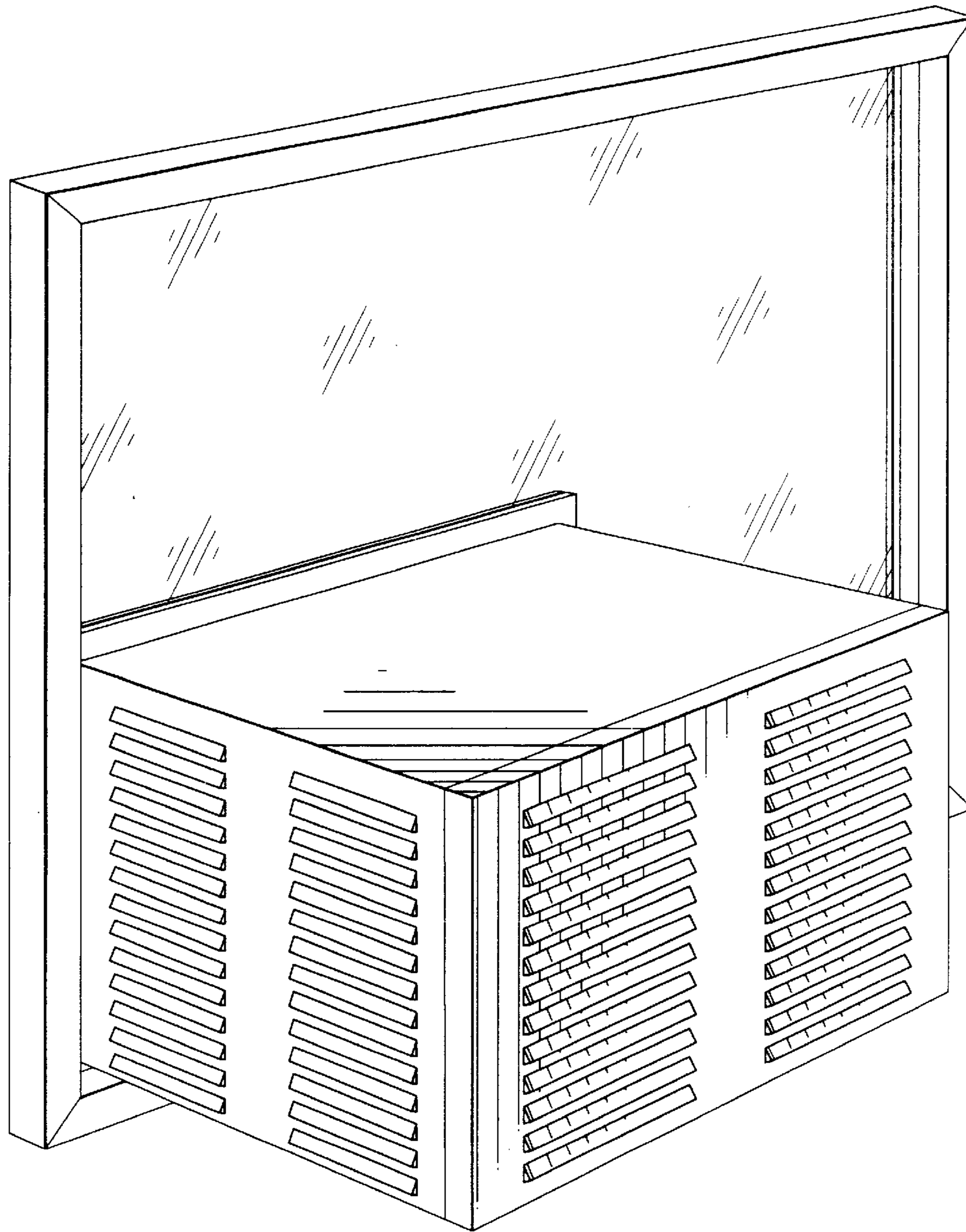


Fig. #8

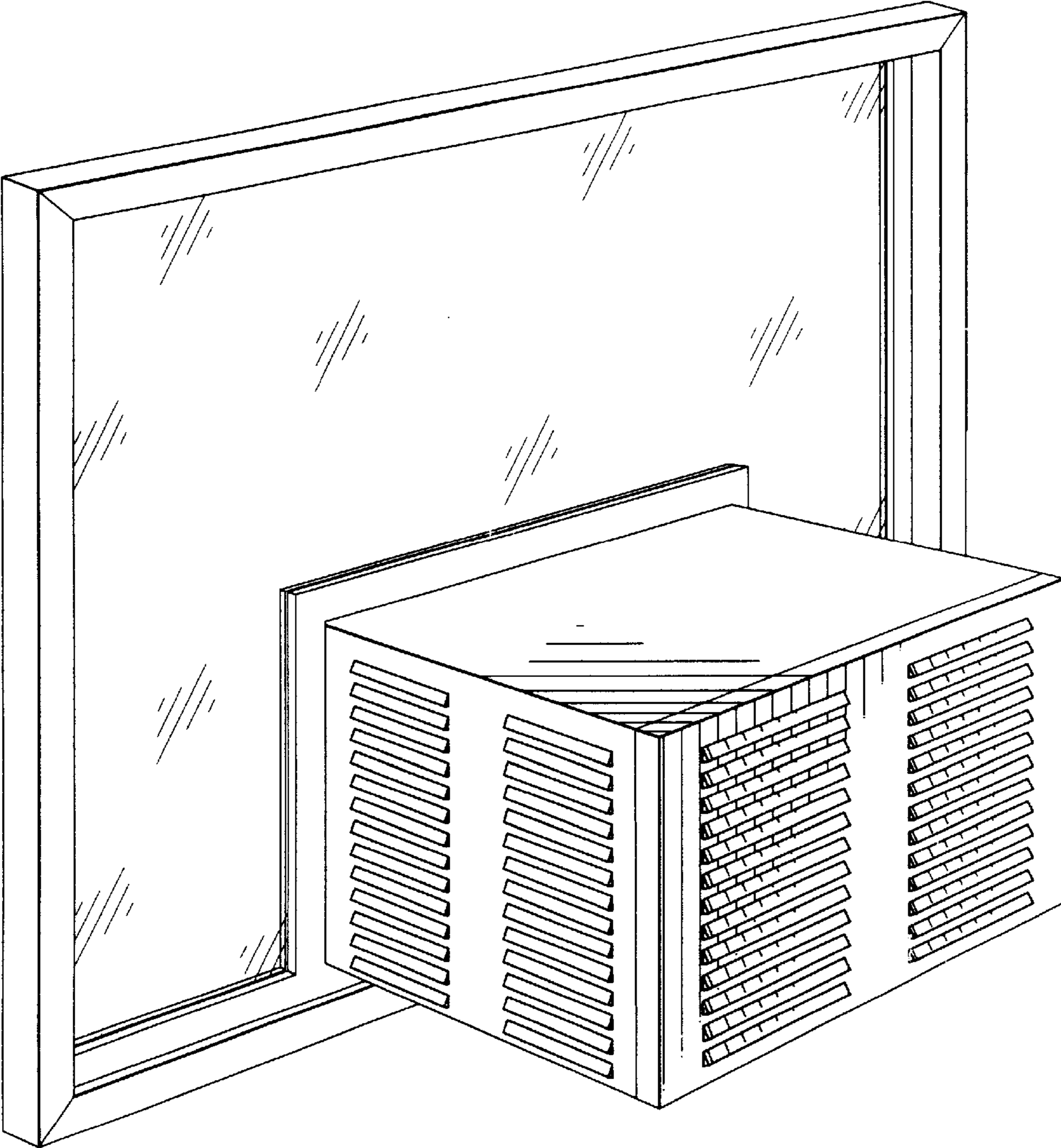


Fig. #9