

US00D509303S

(12) **United States Design Patent** (10) **Patent No.:** **US D509,303 S**
Walsh et al. (45) **Date of Patent:** **** Sep. 6, 2005**

(54) **DOOR FACING**

(75) Inventors: **Jason M. Walsh**, Batavia, IL (US);
Steven K. Lynch, St. Charles, IL (US);
Mark Ruggie, Franklin Park, IL (US)

(73) Assignee: **Masonite Corporation**, Tampa, FL
(US)

(**) Term: **14 Years**

(21) Appl. No.: **29/213,008**

(22) Filed: **Sep. 13, 2004**

(51) **LOC (8) Cl.** **25-02**

(52) **U.S. Cl.** **D25/48; D25/138**

(58) **Field of Search** D25/48, 47, 138;
52/63, 64, 71, 455, 456, 457, 458, 474,
762, 764, 782.1, 784.1; 428/45; 49/501,
504

(56) **References Cited**

U.S. PATENT DOCUMENTS

296,035 A * 4/1884 Miller 52/456
D157,179 S * 2/1950 Massey D25/48

* cited by examiner

Primary Examiner—Doris Clark

(74) *Attorney, Agent, or Firm*—Berenato, Stavish & White,
LLC

(57) **CLAIM**

The ornamental design for a door facing, as shown and described.

DESCRIPTION

FIG. 1 is a front perspective view of our design;
FIG. 2 is a front elevational view;
FIG. 3 is a rear elevational view;
FIG. 4 is a top plan view;
FIG. 5 is a bottom plan view;
FIG. 6 is a cross sectional view taken along the line 6—6 of
FIG. 2 and viewed in the direction of the arrows;
FIG. 7 is an enlarged fragmentary cross sectional view taken
from FIG. 6;
FIG. 8 is a left side elevational view;
FIG. 9 is a right side elevational view; and,
FIG. 10 is a cross sectional view taken along the line 10—10
of FIG. 2 and viewed in the direction of the arrows.

1 Claim, 5 Drawing Sheets

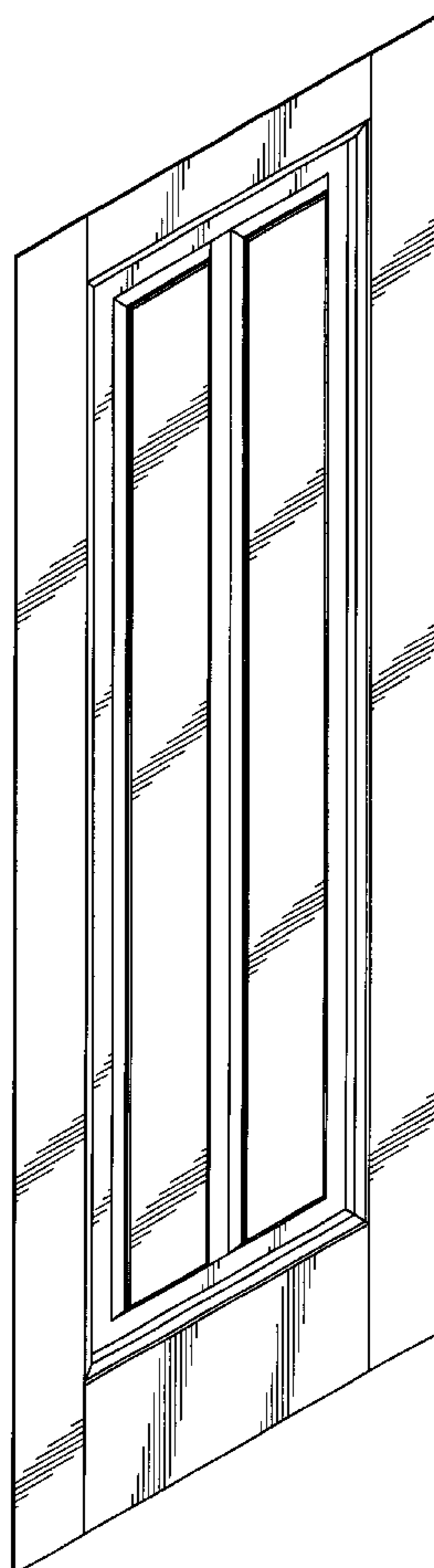


Fig. 1

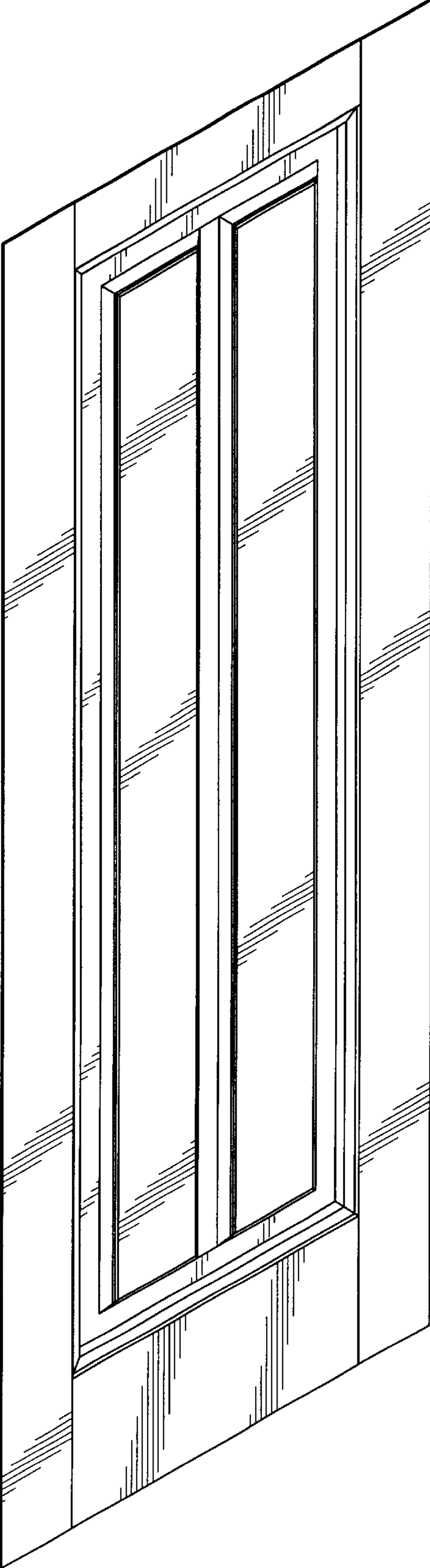


Fig. 2

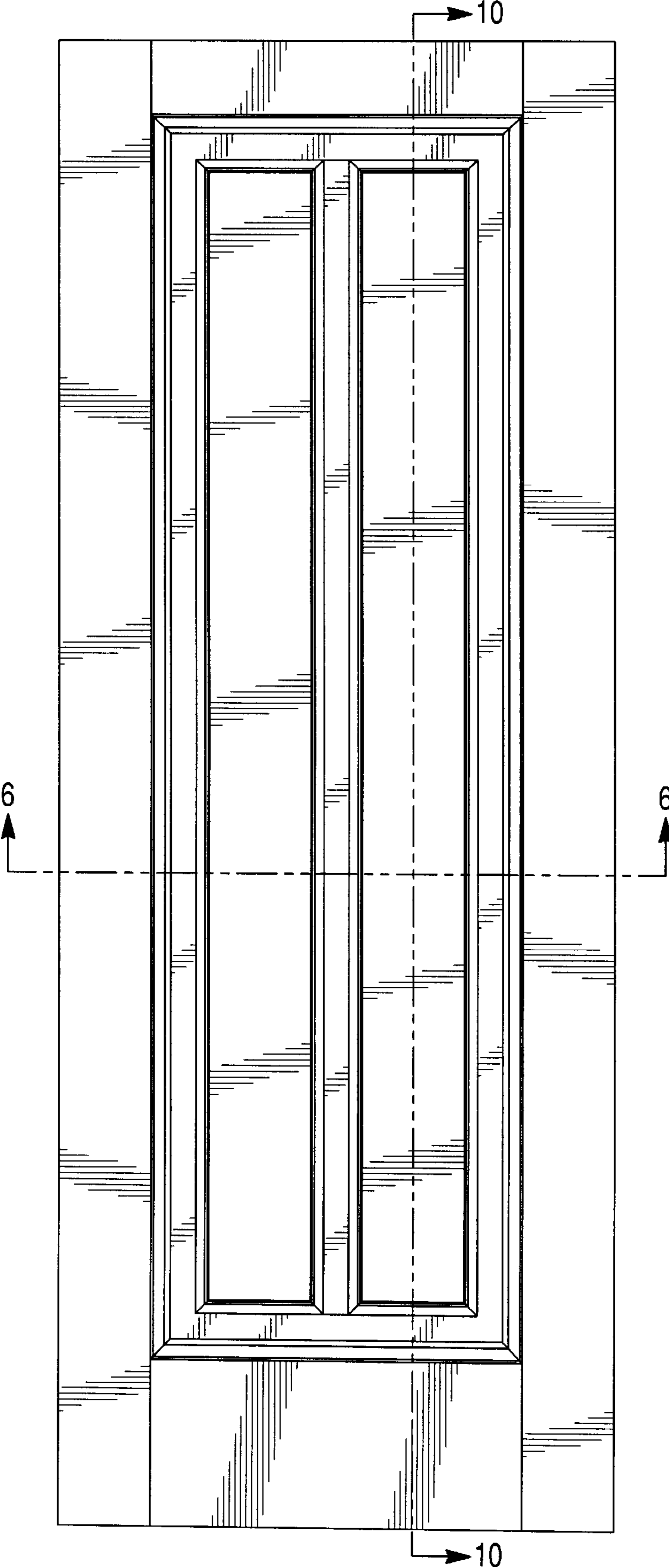


Fig. 3

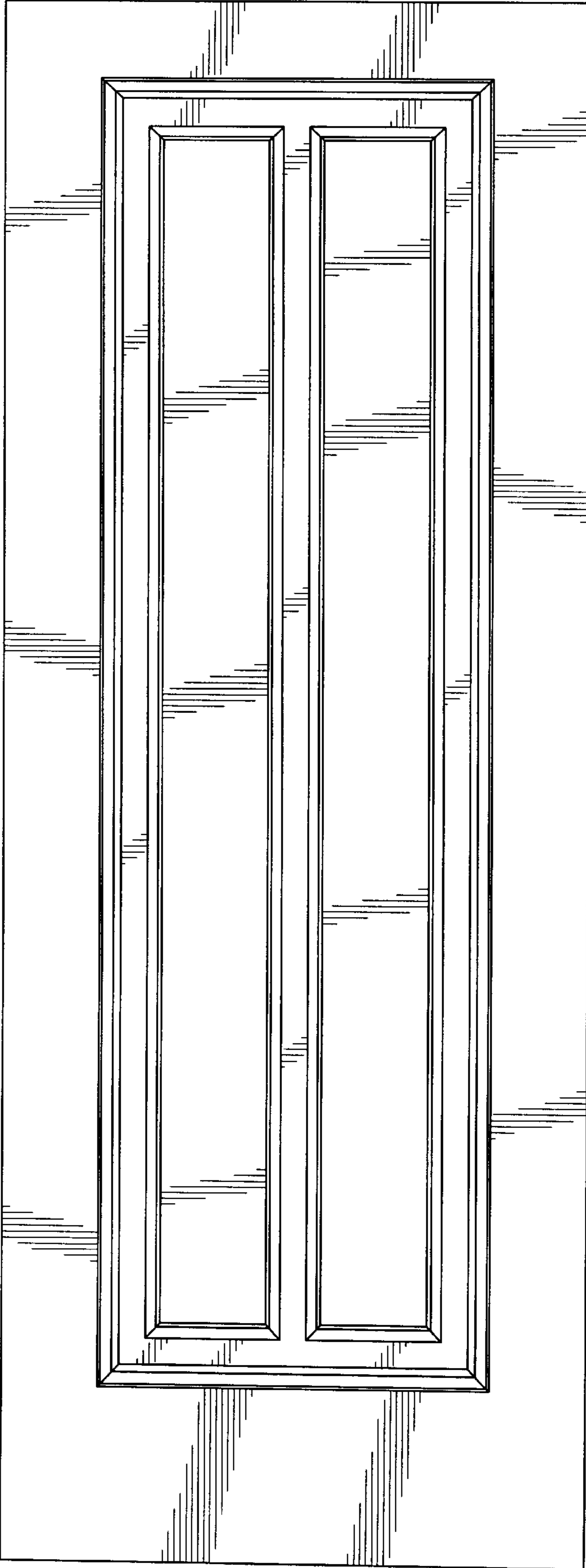


Fig. 4



Fig. 5



Fig. 6

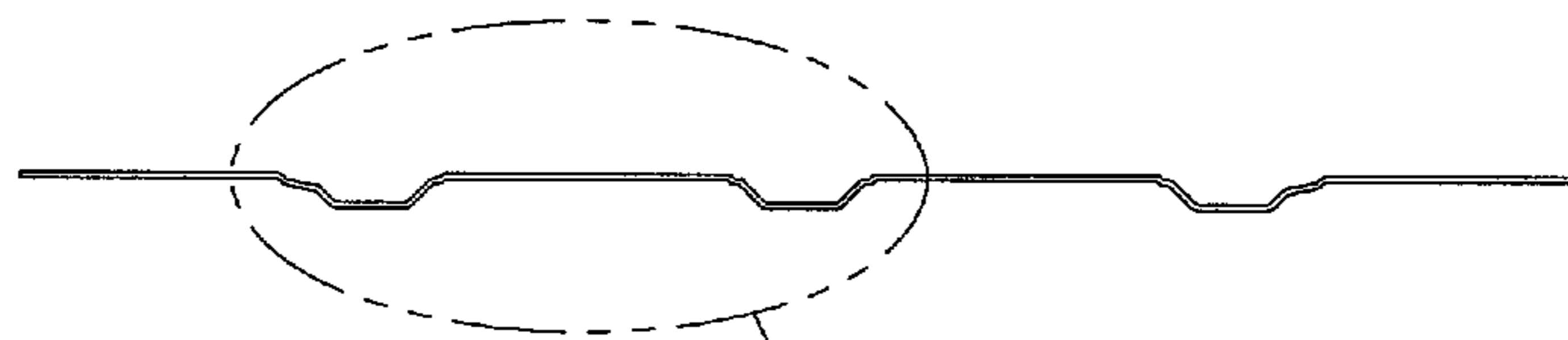


Fig. 7

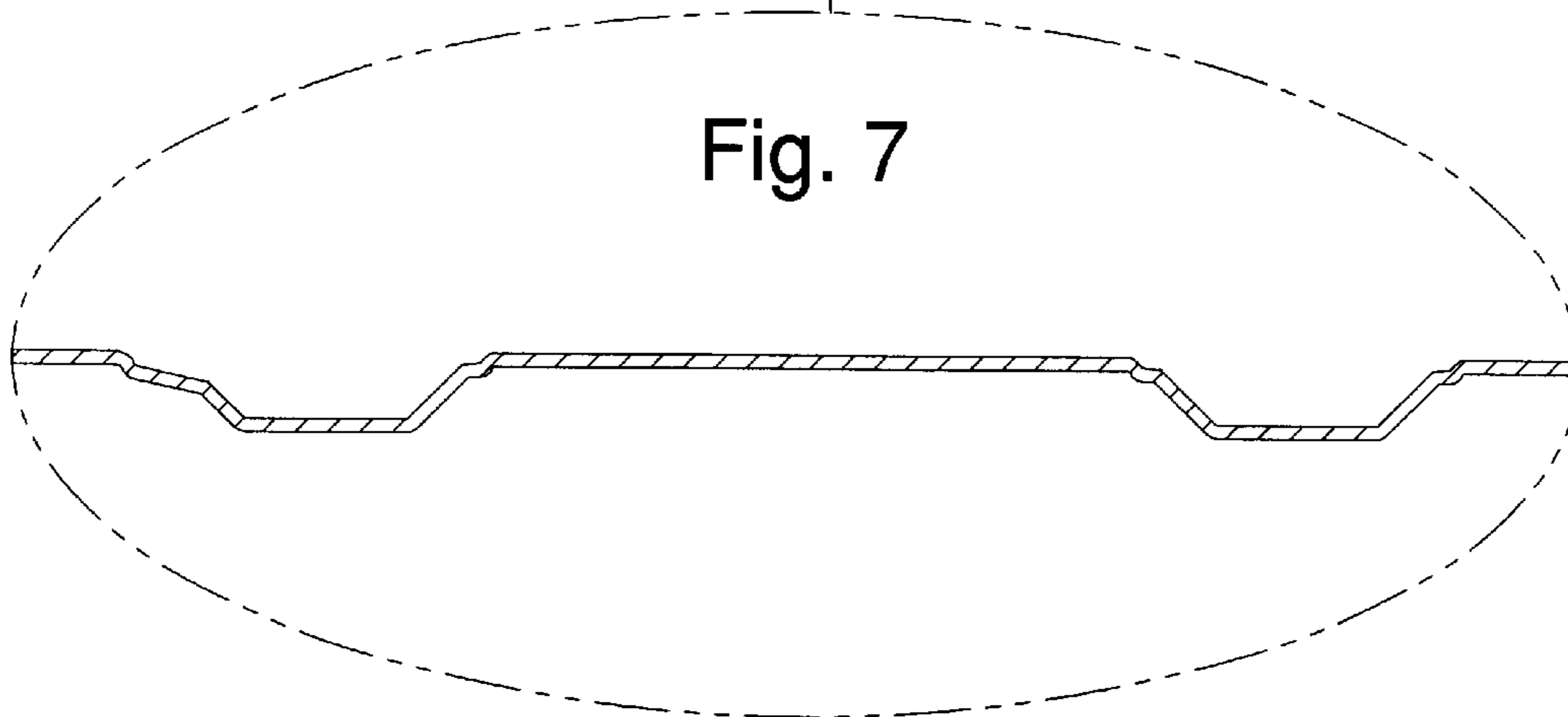




Fig. 8



Fig. 9



Fig. 10