



US00D509301S

(12) **United States Design Patent**
Talbot et al.

(10) **Patent No.: US D509,301 S**
(45) **Date of Patent: ** Sep. 6, 2005**

(54) **STIMULATION DEVICE**

D485,910 S * 1/2004 Chan D24/215

(75) Inventors: **Nicholas Charles Talbot**, London (GB); **Niall Robert Hamilton**, London (GB); **David Hillary Powell**, West Sussex (GB)

* cited by examiner

Primary Examiner—Ian Simmons
(74) *Attorney, Agent, or Firm*—Stinson Morrison Hecker LLP

(73) Assignee: **LRC Products, Limited**, London (GB)

(57) **CLAIM**

(**) Term: **14 Years**

The ornamental design for a stimulation device, as shown and described.

(21) Appl. No.: **29/198,092**

DESCRIPTION

(22) Filed: **Jan. 23, 2004**

(30) **Foreign Application Priority Data**

Jul. 25, 2003 (GB) 3013818

(51) **LOC (8) Cl.** **28-03**

(52) **U.S. Cl.** **D24/215**

(58) **Field of Search** D24/215, 214,
D24/200, 211; 601/46, 48, 101, 87, 84,
80, 70, 67

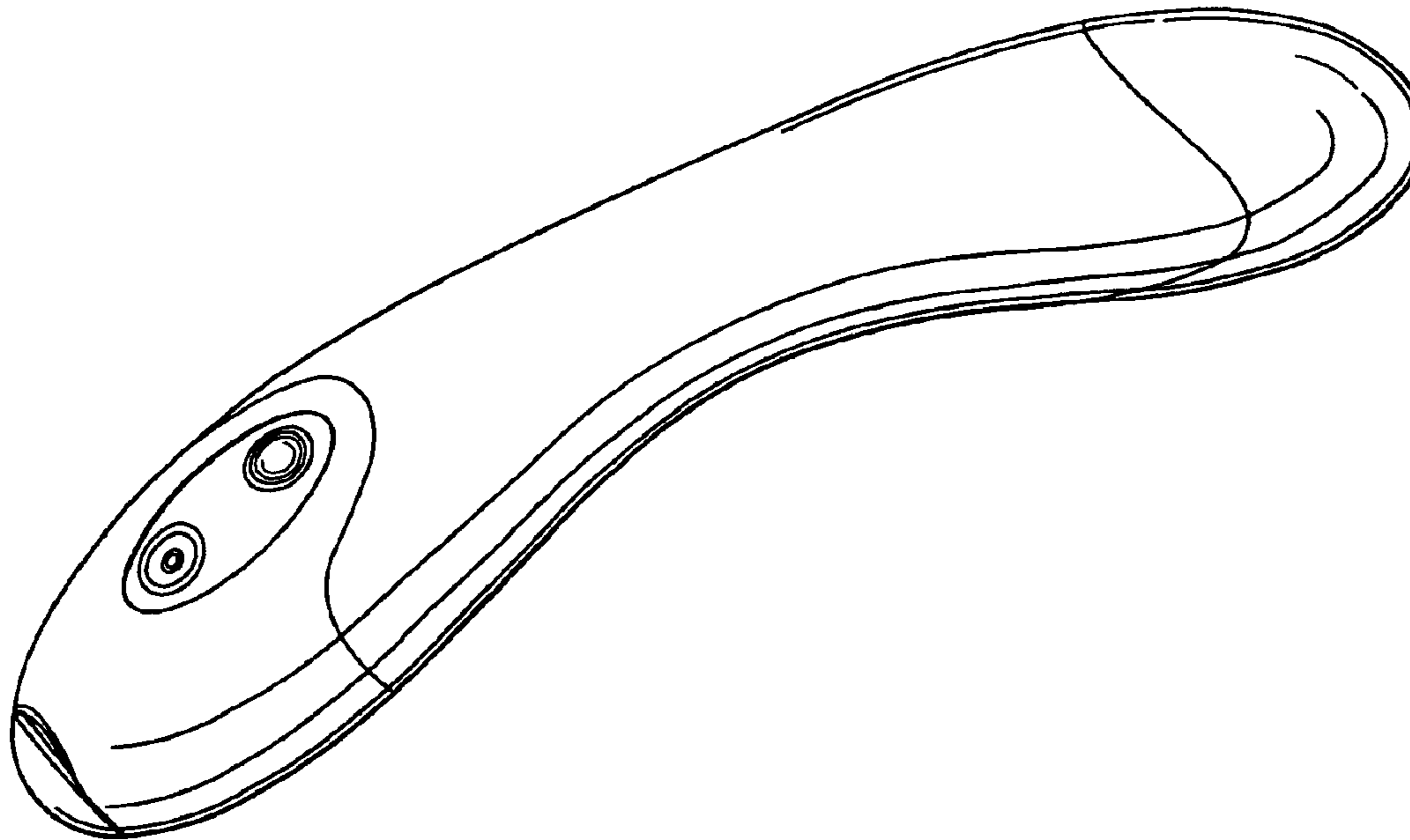
FIG. 1 is a perspective view of the stimulation device in accordance with the design of the present invention; FIG. 2 is a front end elevational view of the stimulator device of FIG. 1; FIG. 3 is a rear end elevational view of the stimulator device of FIG. 1; FIG. 4 is an elevational view from one side of the stimulation device of FIG. 1; FIG. 5 is an elevational view from the other side of the stimulation device of FIG. 1; FIG. 6 is a top plan view of the stimulation device of FIG. 1; and, FIG. 7 is a bottom plan view of the stimulation device of FIG. 1.

(56) **References Cited**

U.S. PATENT DOCUMENTS

D30,230 S * 2/1899 Barnet D24/214
D454,959 S * 3/2002 Harris et al. D24/215
D466,612 S * 12/2002 Harris et al. D24/215

1 Claim, 2 Drawing Sheets



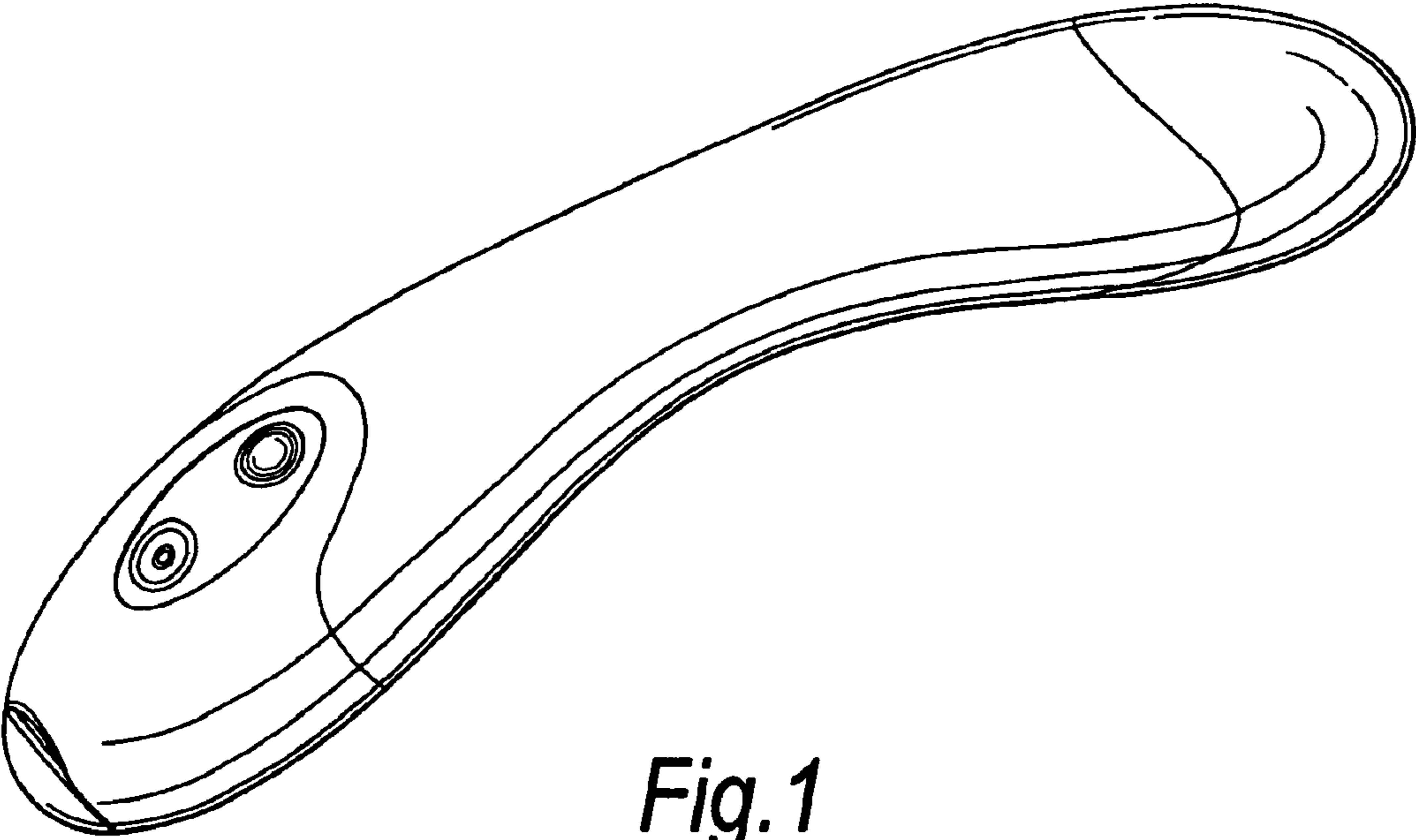


Fig. 1

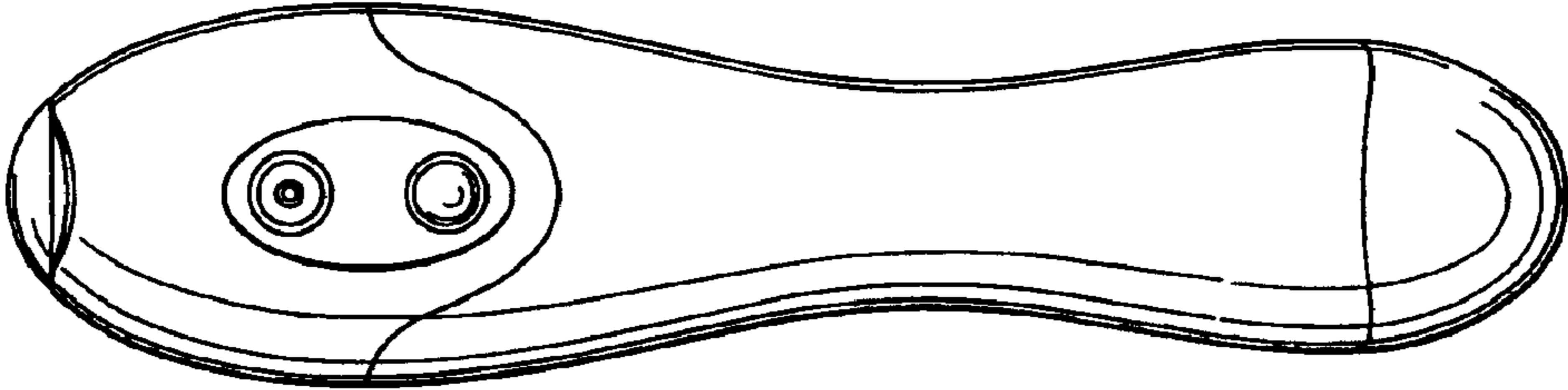


Fig. 2

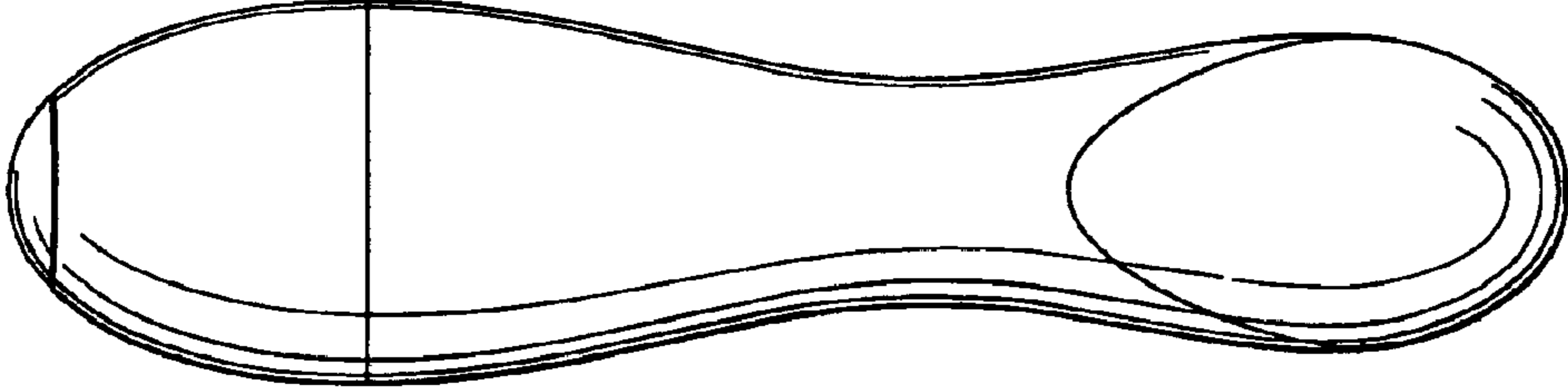


Fig. 3

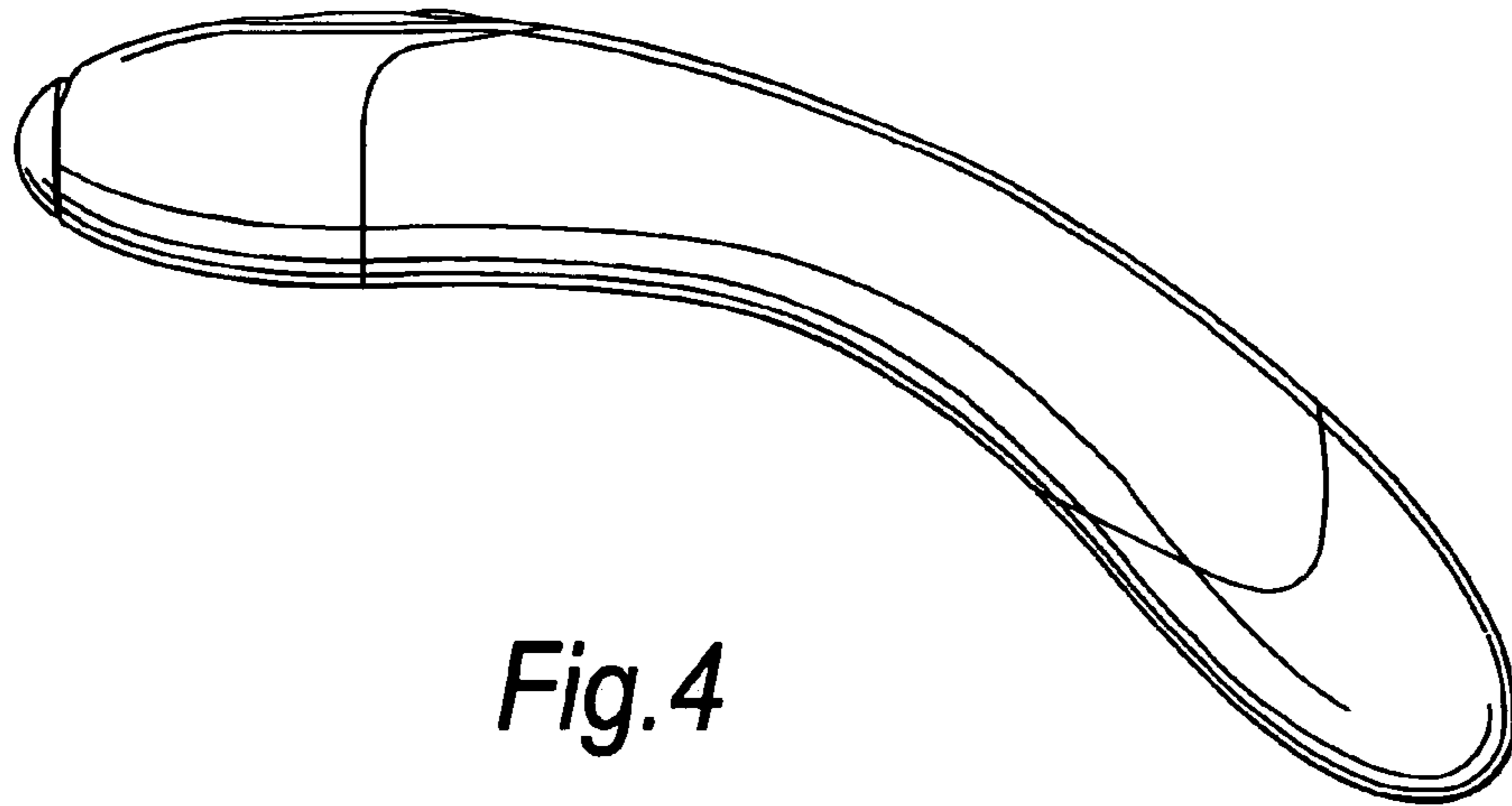


Fig. 4

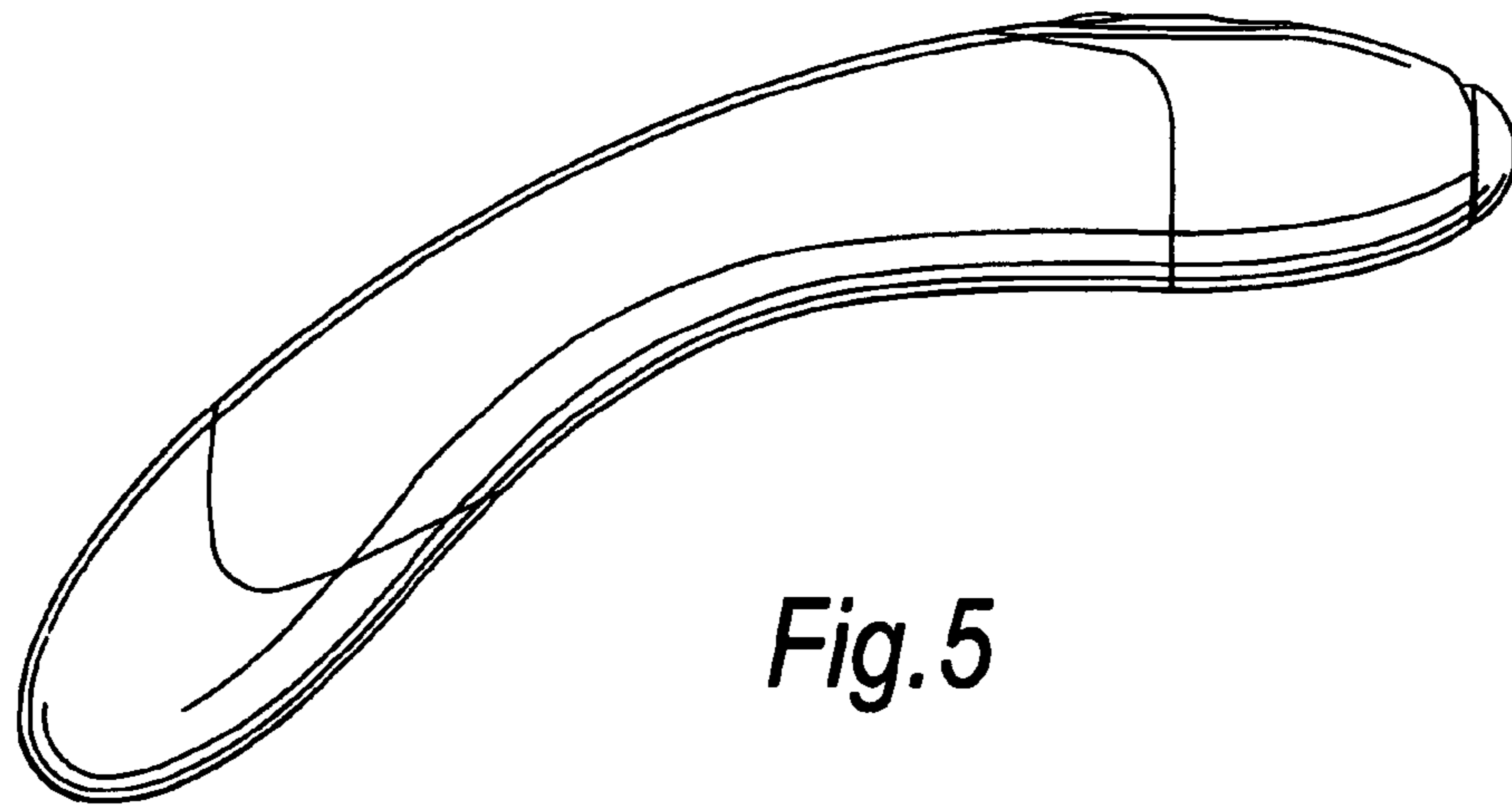


Fig. 5

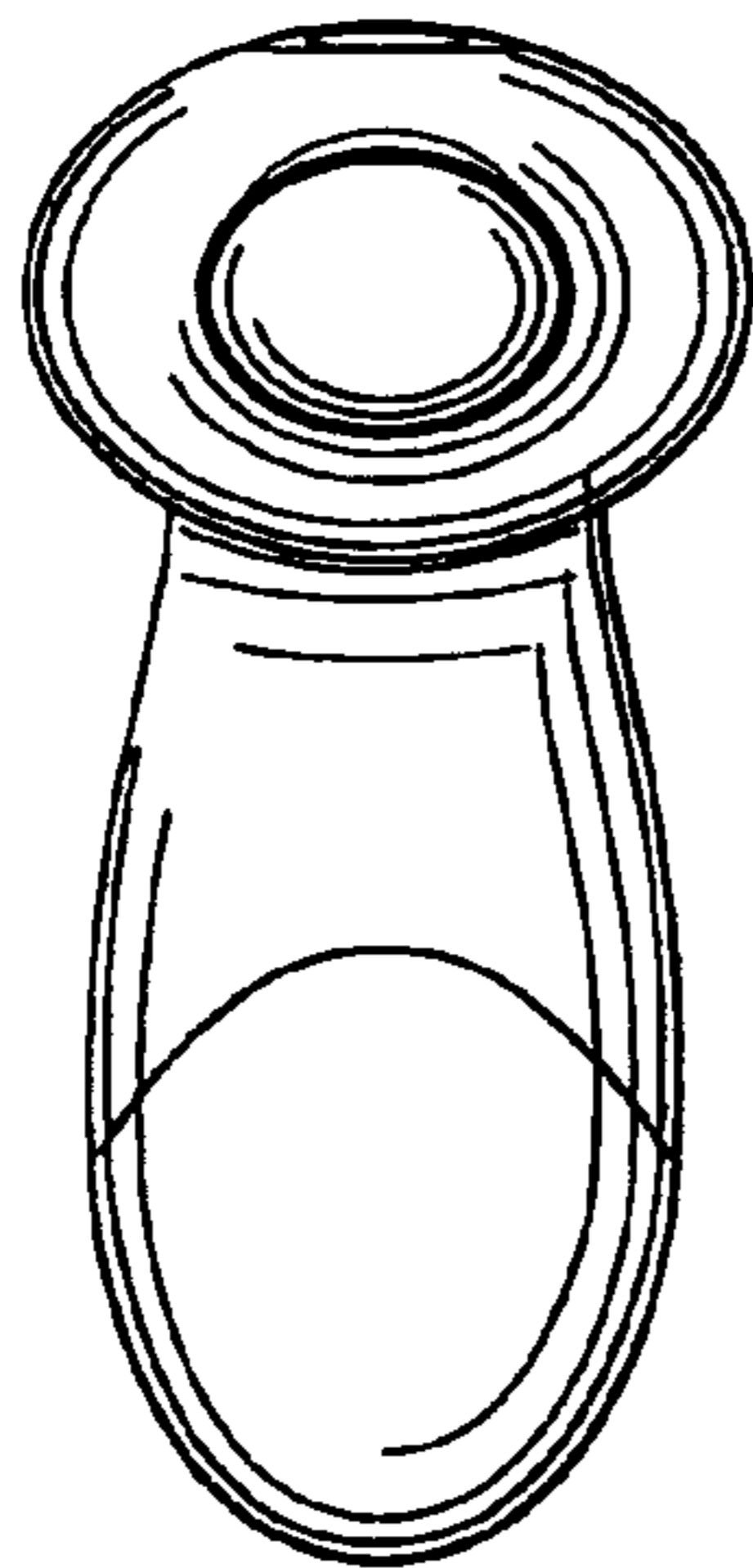


Fig. 6

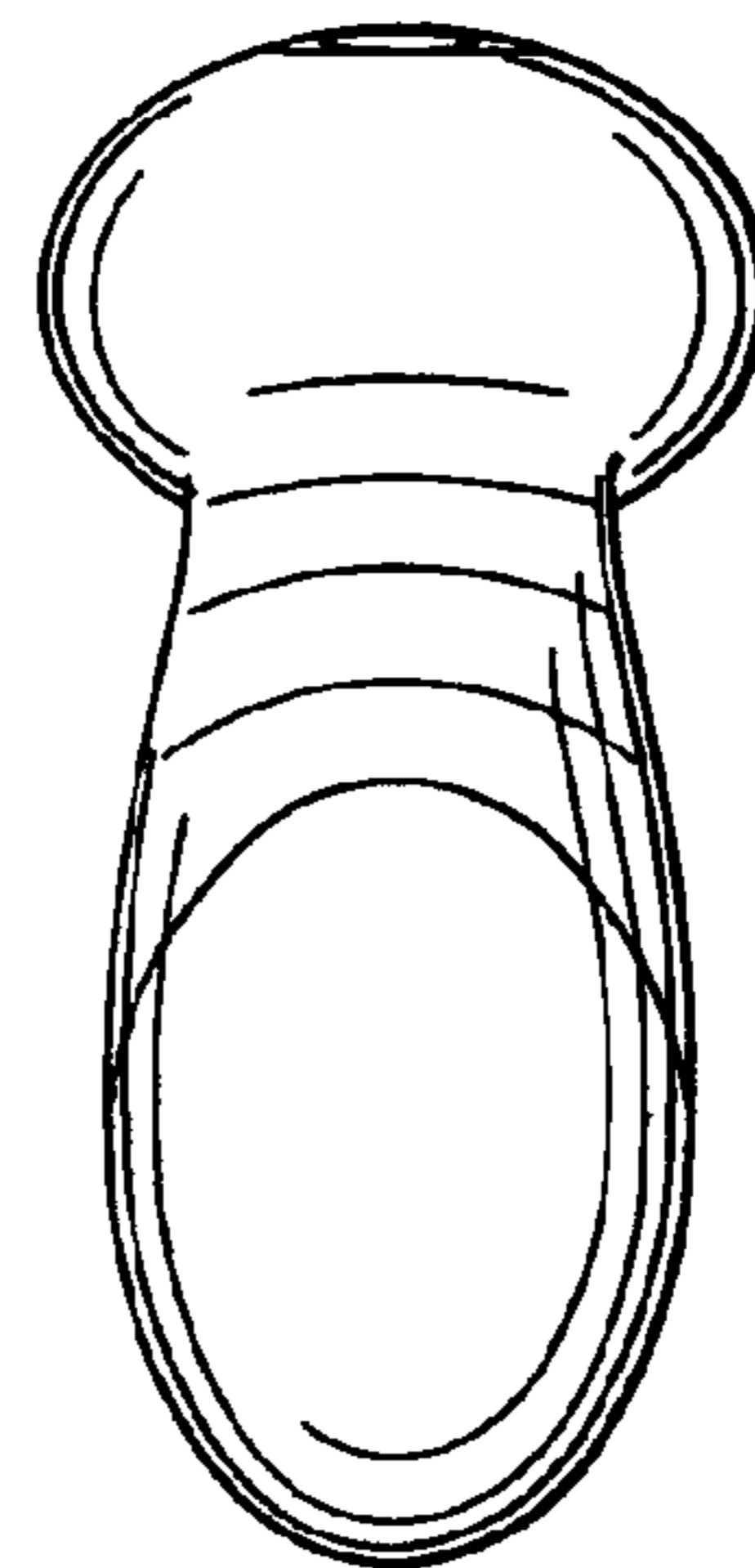


Fig. 7