

US00D509300S

(12) **United States Design Patent**
Muller

(10) **Patent No.: US D509,300 S**

(45) **Date of Patent: ** Sep. 6, 2005**

(54) **SOLARIUM**

(75) Inventor: **Ronald Muller**, Norwalk, CT (US)

(73) Assignee: **Koninklijke Philips Electronics, N.V.**,
Eindhoven (NL)

(**) Term: **14 Years**

(21) Appl. No.: **29/212,313**

(22) Filed: **Aug. 30, 2004**

(30) **Foreign Application Priority Data**

Mar. 9, 2004 (EM) 146428

(51) **LOC (8) Cl. 28-03**

(52) **U.S. Cl. D24/209; D24/210**

(58) **Field of Search** D24/200, 209,
D24/210; 607/90-94, 88, 100; 362/418-419,
427, 269; D26/60-66; 250/494.1

(56) **References Cited**

U.S. PATENT DOCUMENTS

D268,287 S * 3/1983 Boschetti D24/210

D348,107 S * 6/1994 Wilkinson D24/210
5,849,026 A * 12/1998 Zhou et al. 607/100
D408,092 S * 4/1999 Schaak D26/62
D478,682 S * 8/2003 Abry D26/65

* cited by examiner

Primary Examiner—Cathy Anne MacCormac

Assistant Examiner—Melanie Levy

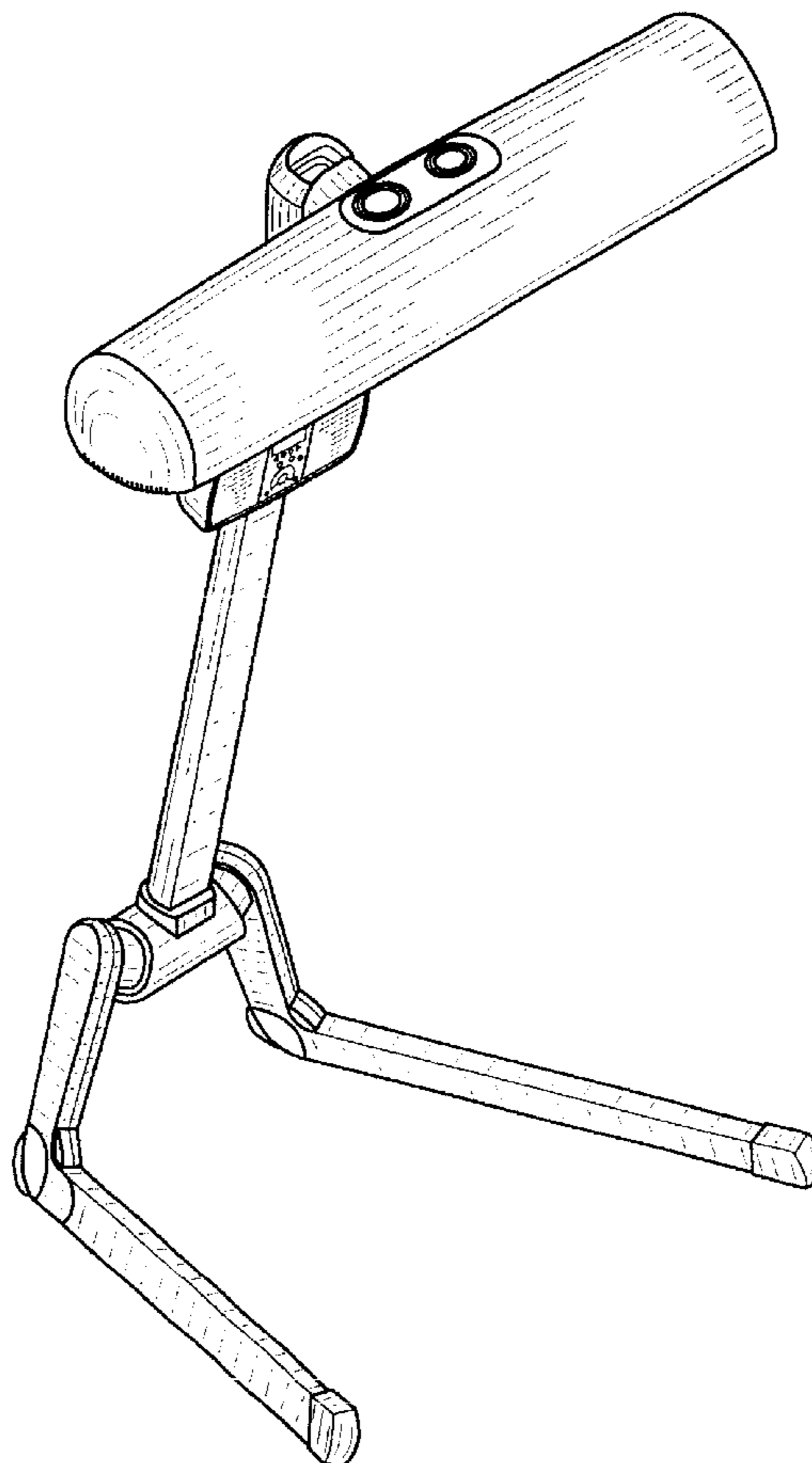
(57) **CLAIM**

The ornamental design for a solarium, as shown.

DESCRIPTION

FIG. 1 is a perspective view showing my design;
FIG. 2 is a front elevational view thereof;
FIG. 3 is a rear elevational view thereof;
FIG. 4 is a right side elevational view thereof;
FIG. 5 is a left side elevational view thereof;
FIG. 6 is a top plan view thereof; and,
FIG. 7 is a bottom plan view thereof.

1 Claim, 6 Drawing Sheets



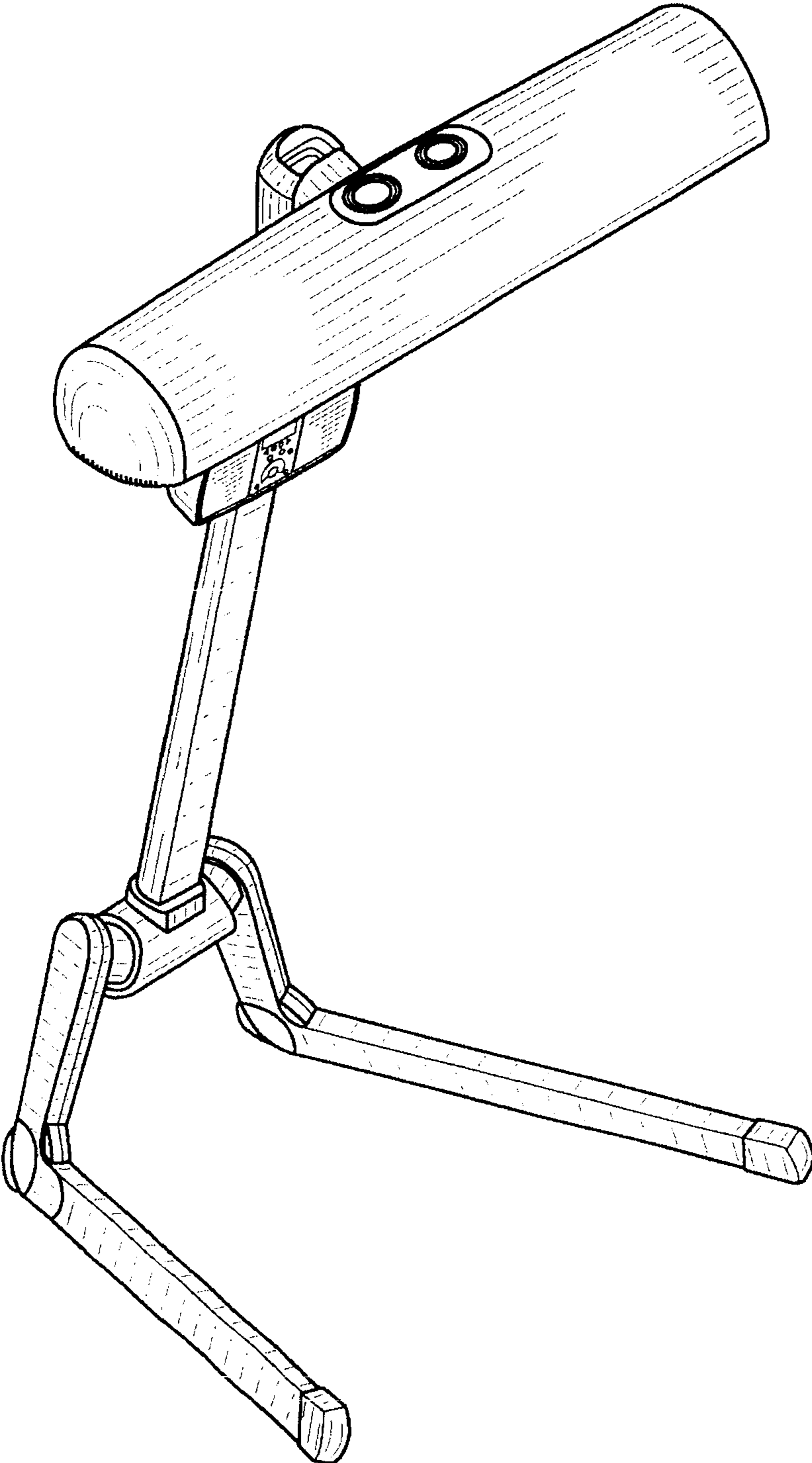


FIG. 1

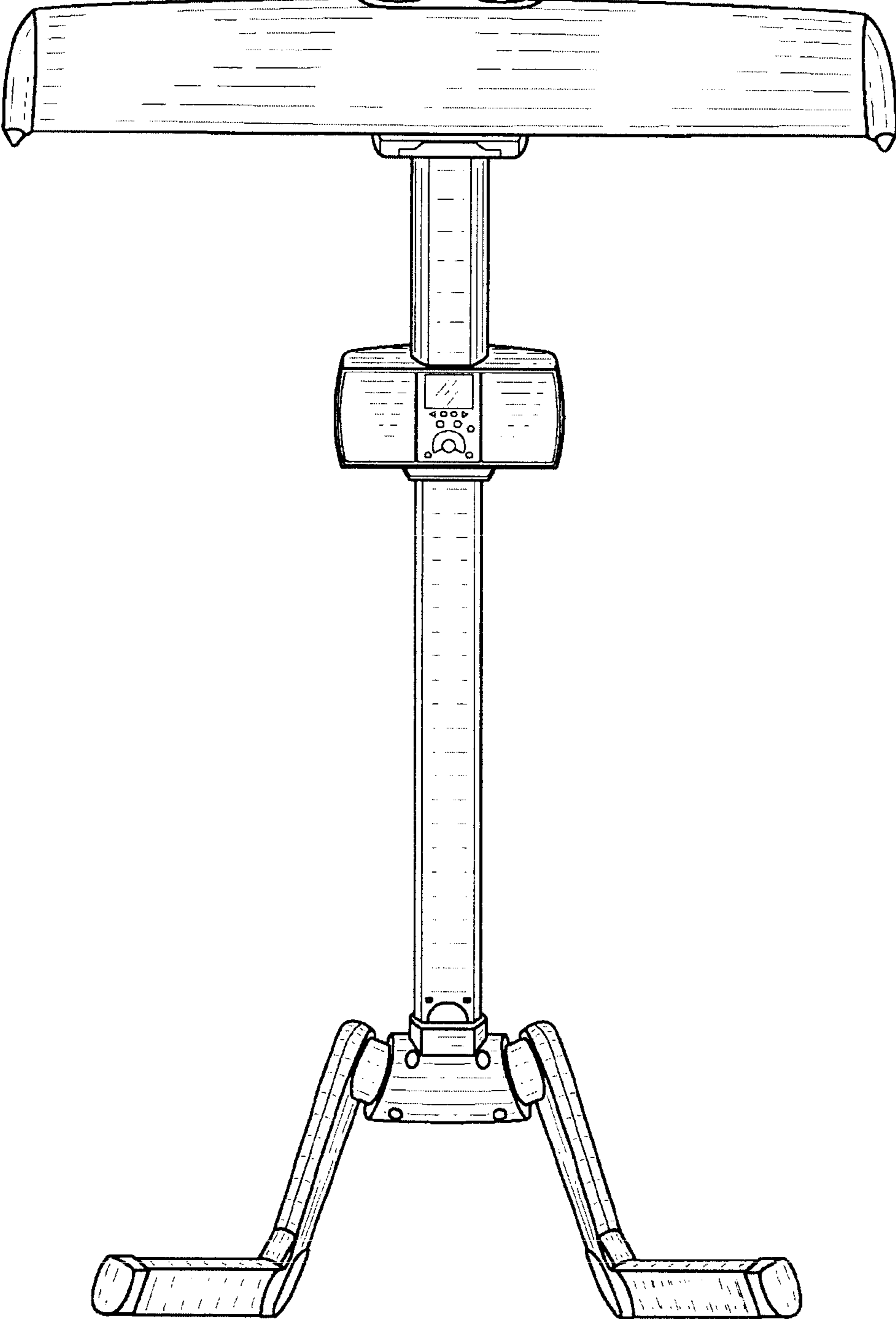


FIG.2

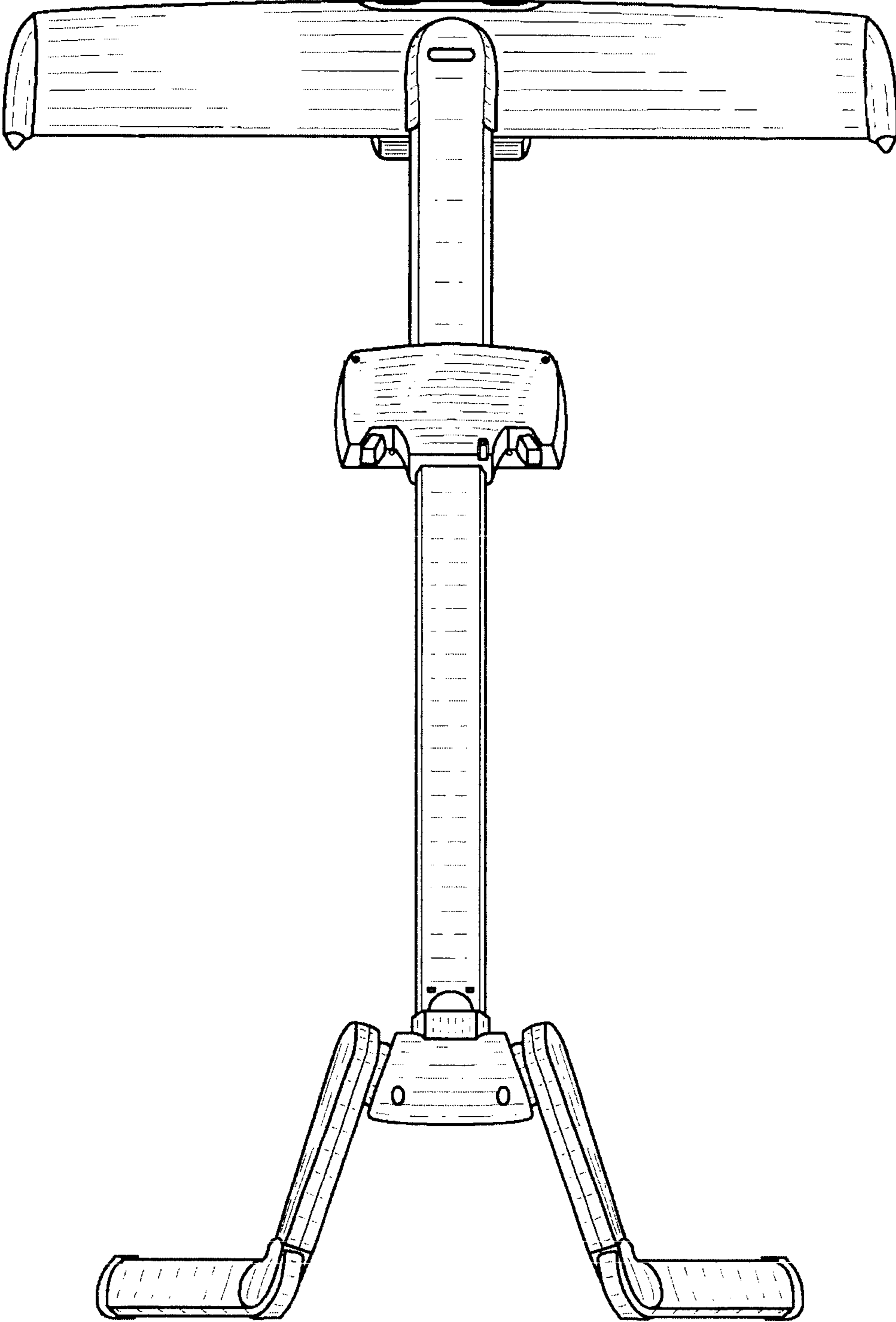


FIG.3

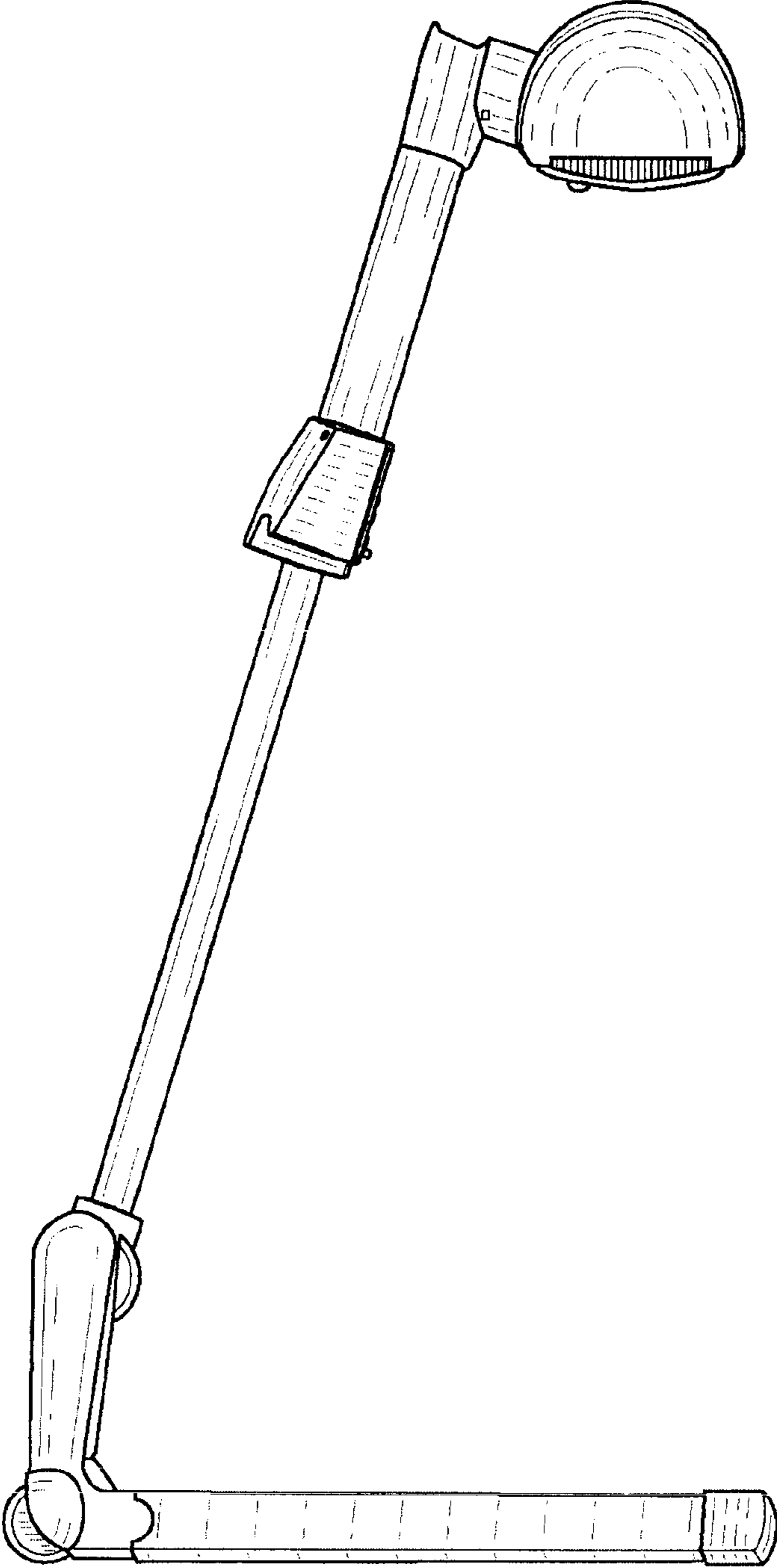


FIG.4

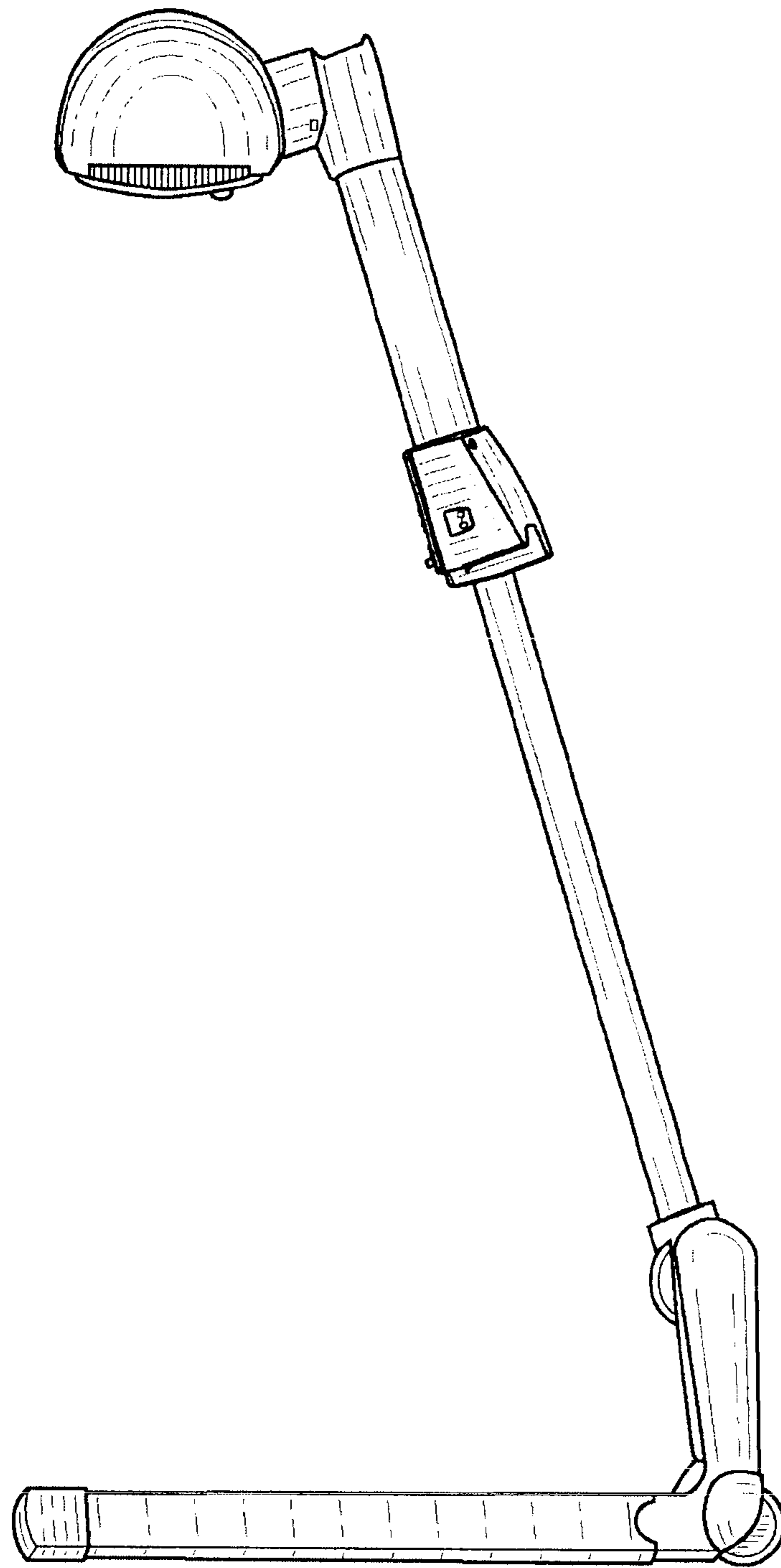


FIG.5

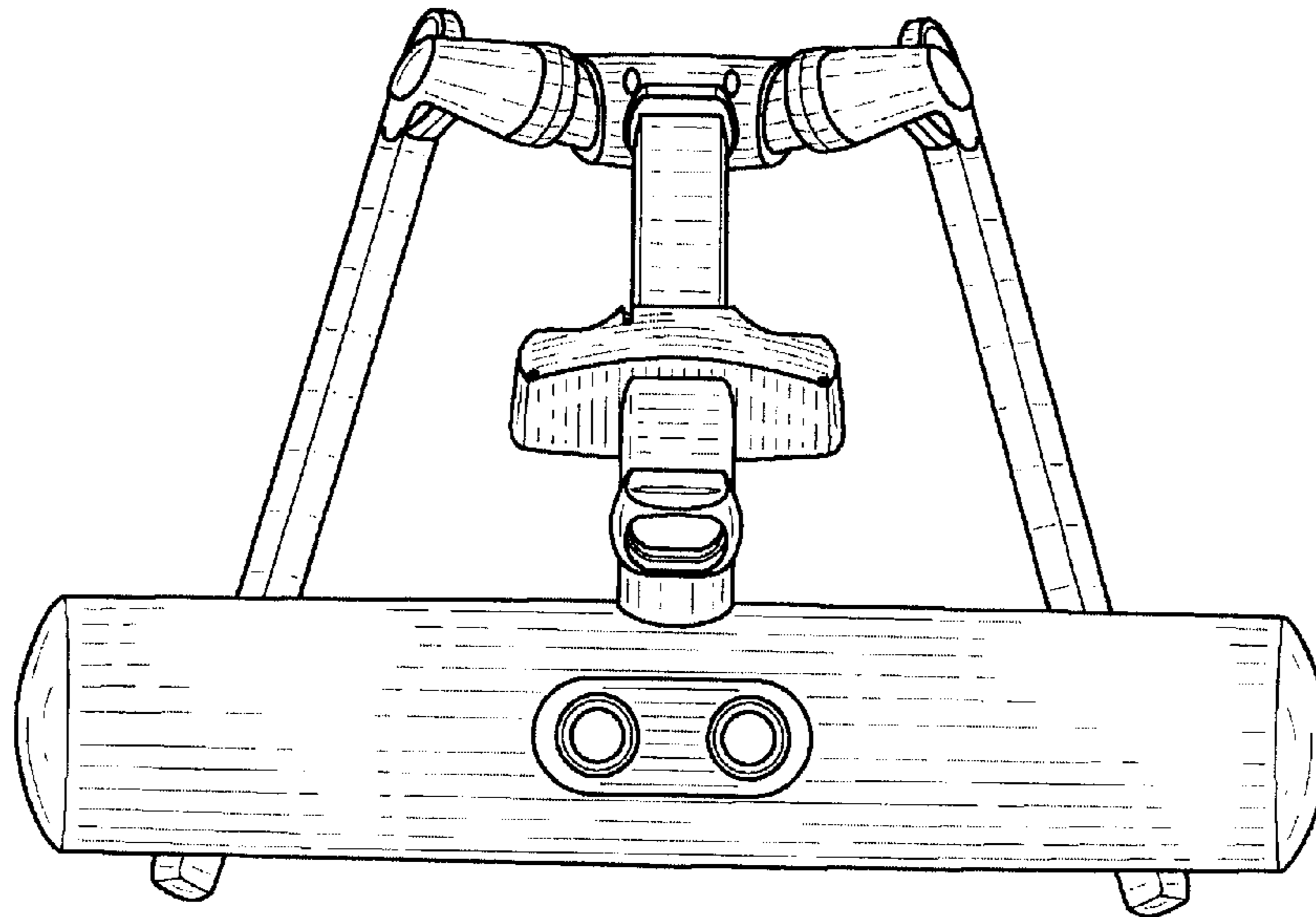


FIG. 6

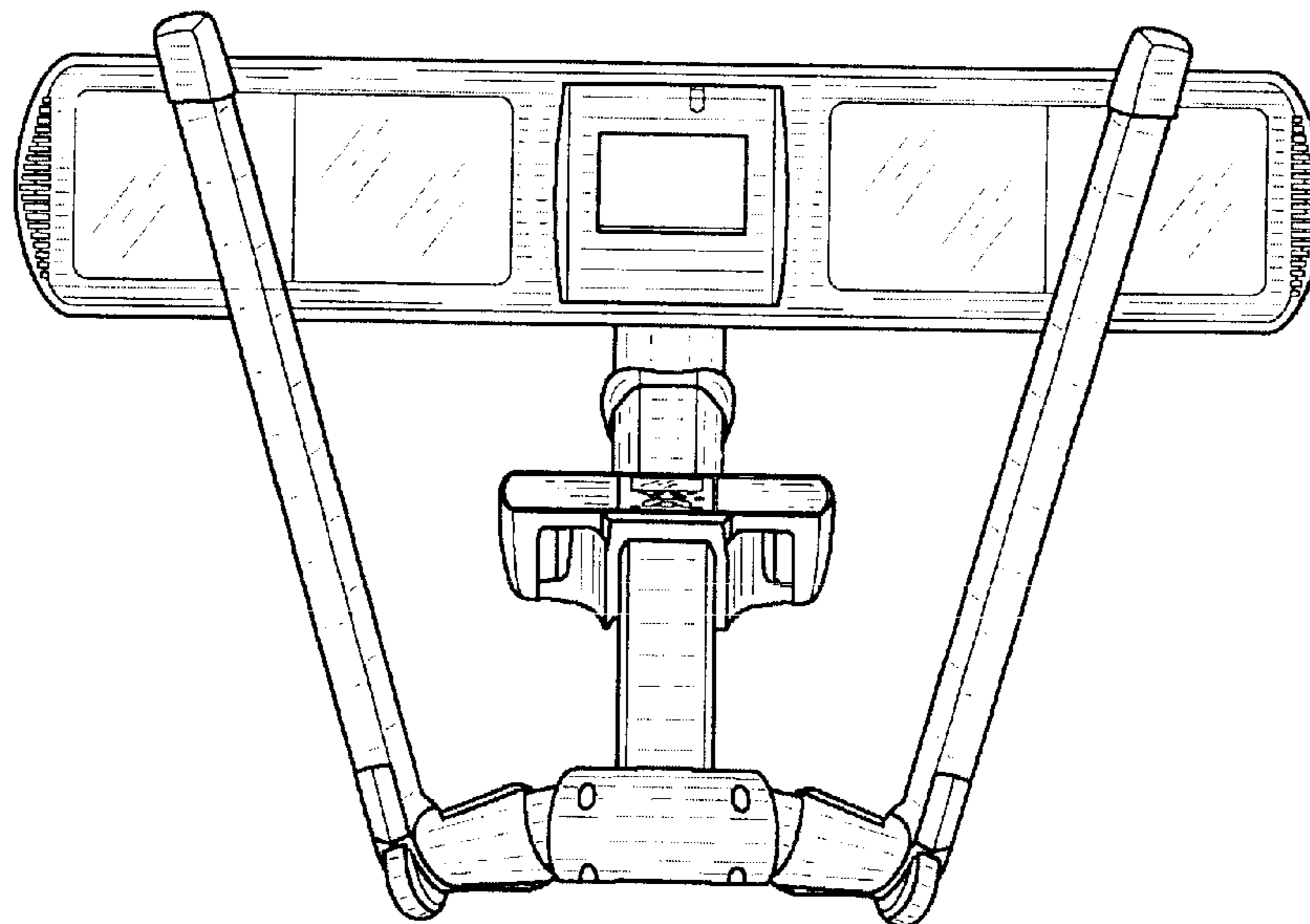


FIG. 7