

US00D509298S

(12) **United States Design Patent** (10) **Patent No.:** **US D509,298 S**
Kwok (45) **Date of Patent:** **** Sep. 6, 2005**

(54) **SNAP-IN ARTICULATOR INSERT FOR EASY RELEASE OF STONE MODEL**

Primary Examiner—Charles A. Rademaker
(74) *Attorney, Agent, or Firm*—Thomas M. Freiburger

(76) **Inventor:** **Lloyd A. Kwok**, 423 Broadway, Suite 501, Millbrae, CA (US) 94030

(57) **CLAIM**

The ornamental design for a snap-in articulator insert for easy release of stone model, as shown and described.

(**) **Term:** **14 Years**

DESCRIPTION

(21) **Appl. No.:** **29/195,486**

FIG. 1 is a frontal perspective view showing a snap-in articulator insert for easy release of stone model according to my new design, the snap-in articulator insert being shown as attached to an articulator which is shown as environment and which does not comprise a part of my design;

(22) **Filed:** **Dec. 12, 2003**

FIG. 2 is a top plan view thereof;

(51) **LOC (8) Cl.** **24-02**

(52) **U.S. Cl.** **D24/181**

(58) **Field of Search** D24/180–181,
D24/176, 155–156, 107; 433/37–43, 6,
213–214

FIG. 3 is a sectional elevation view thereof, as seen along the line 3—3 in FIG. 2, and showing the articulator insert connected to an articulator which is shown for environment purposes only;

(56) **References Cited**

U.S. PATENT DOCUMENTS

1,778,293	A	*	10/1930	Galasso	433/37
D210,278	S	*	2/1968	White	D24/181
D266,269	S	*	9/1982	Werrin	D24/181
D278,849	S	*	5/1985	Hoyle	D24/181
D283,639	S	*	4/1986	Huffman	D24/181
D294,062	S	*	2/1988	Kwok	D24/181
D302,463	S	*	7/1989	Wolfe	D24/181
5,513,985	A	*	5/1996	Robertson	433/38
D403,771	S	*	1/1999	Werrin	D24/181

FIG. 4 is an anterior elevation view thereof;

FIG. 5 is a posterior elevation view thereof;

FIG. 6 is a bottom plan view thereof; and,

FIG. 7 is a side elevation view thereof, the opposite side being identical.

The broken lines shown in the figure drawings represent environment, are for illustrative purposes only and form no part of the claimed design.

* cited by examiner

1 Claim, 2 Drawing Sheets

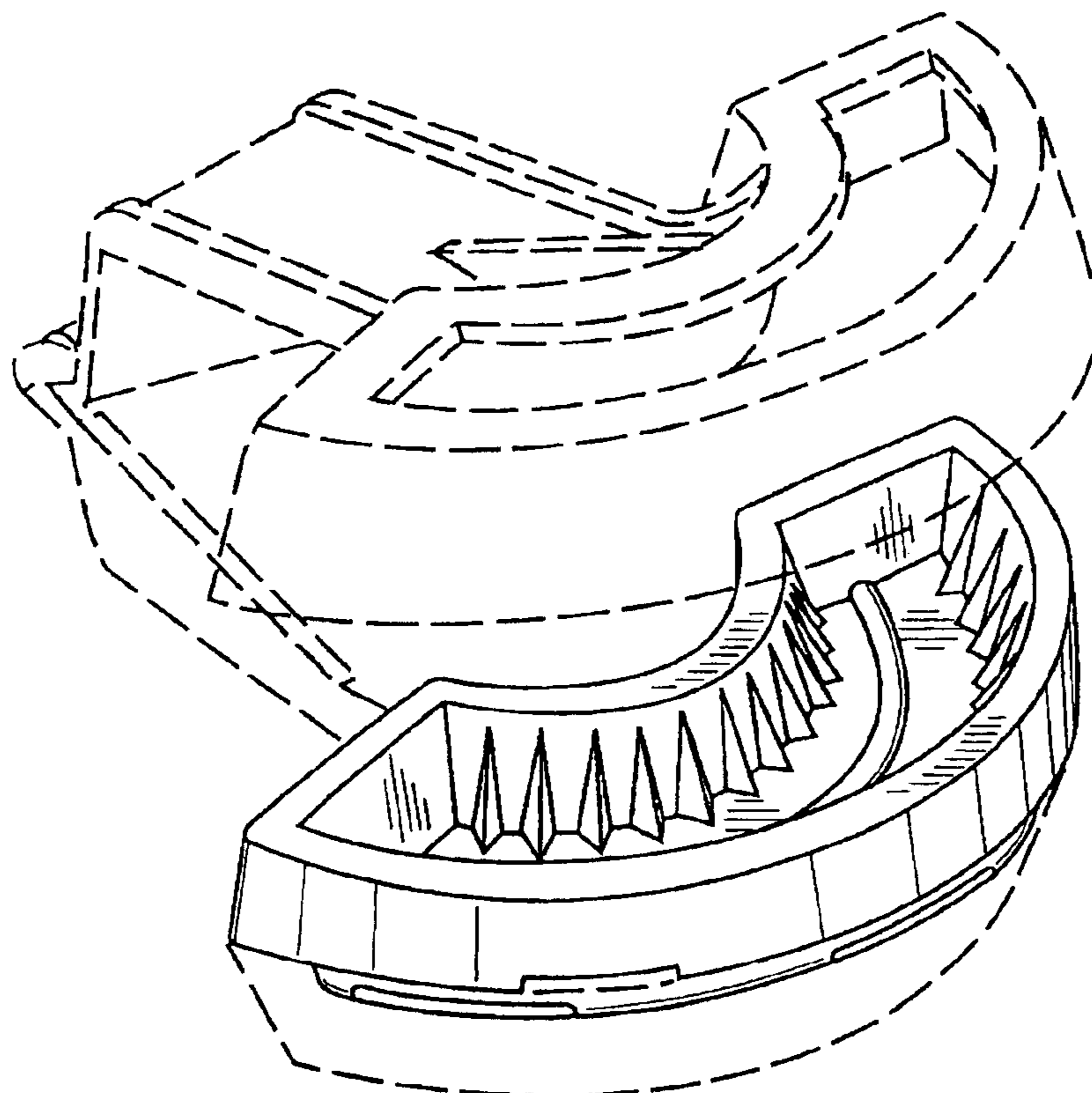


FIG. 1

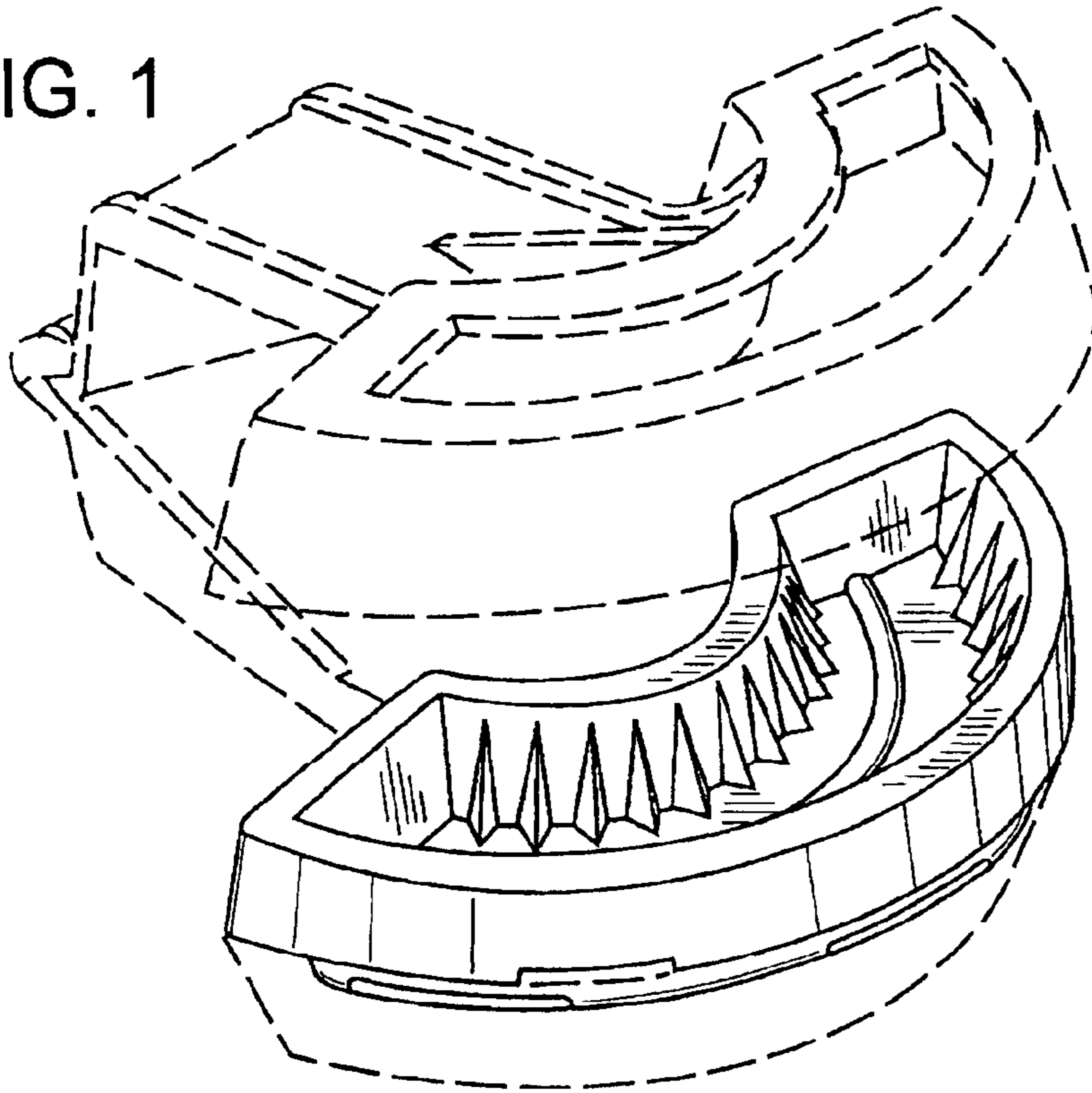


FIG. 2

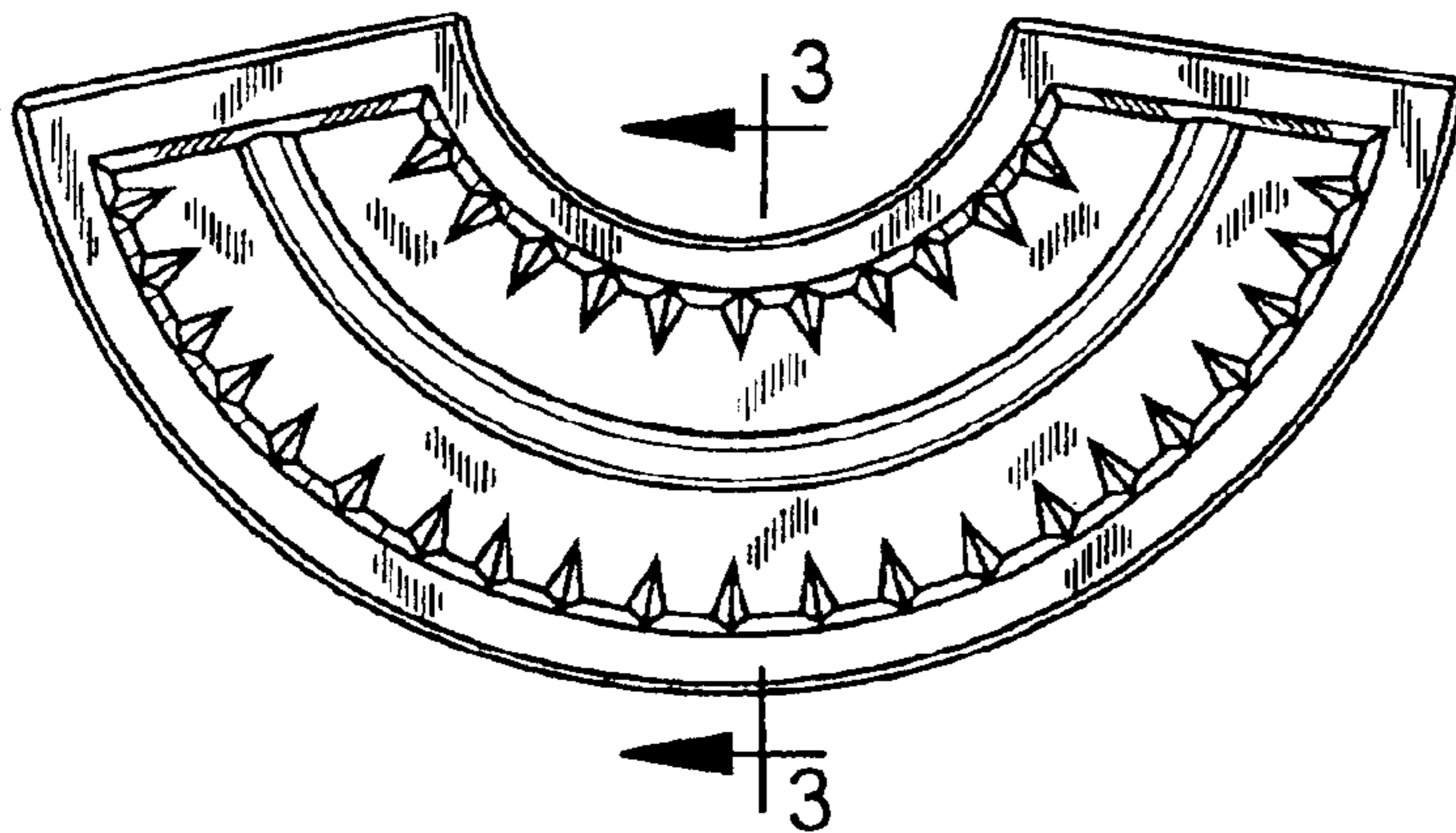


FIG. 3

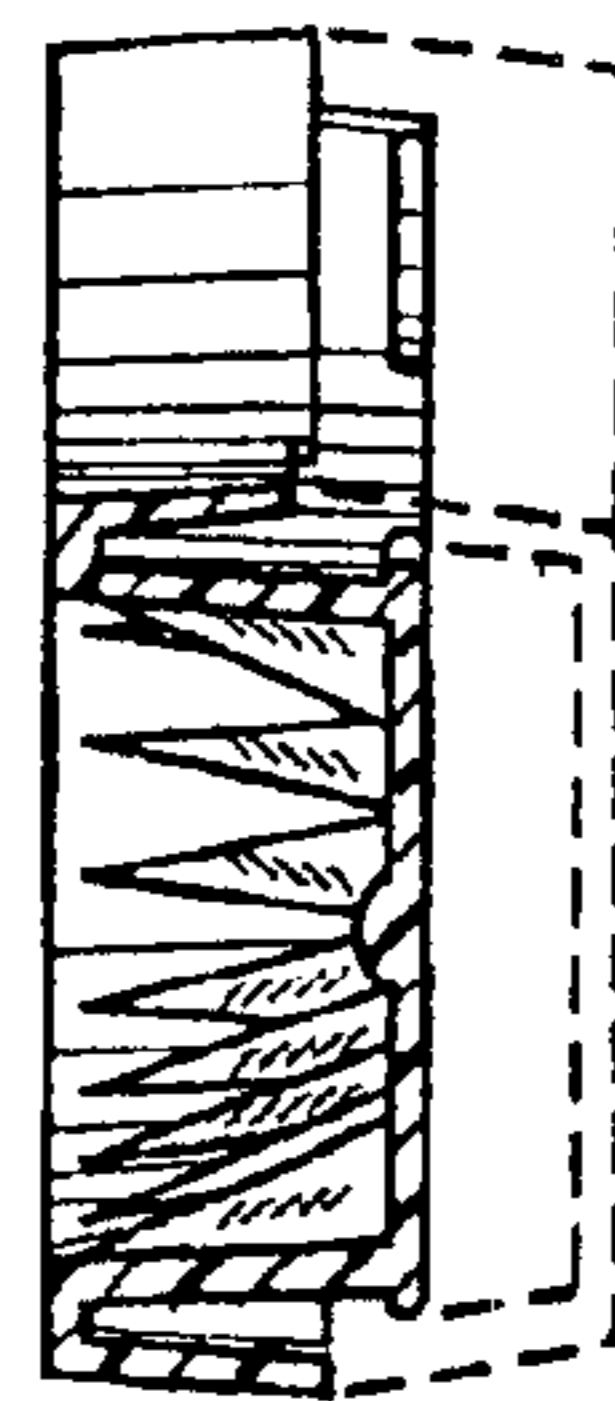


FIG. 4

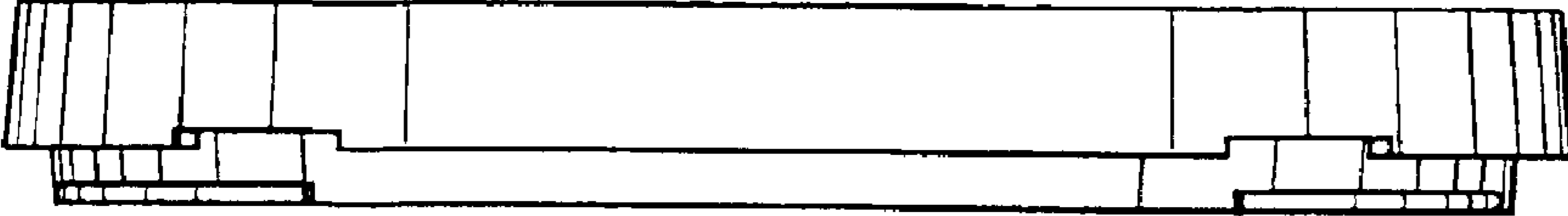


FIG. 5



FIG. 6

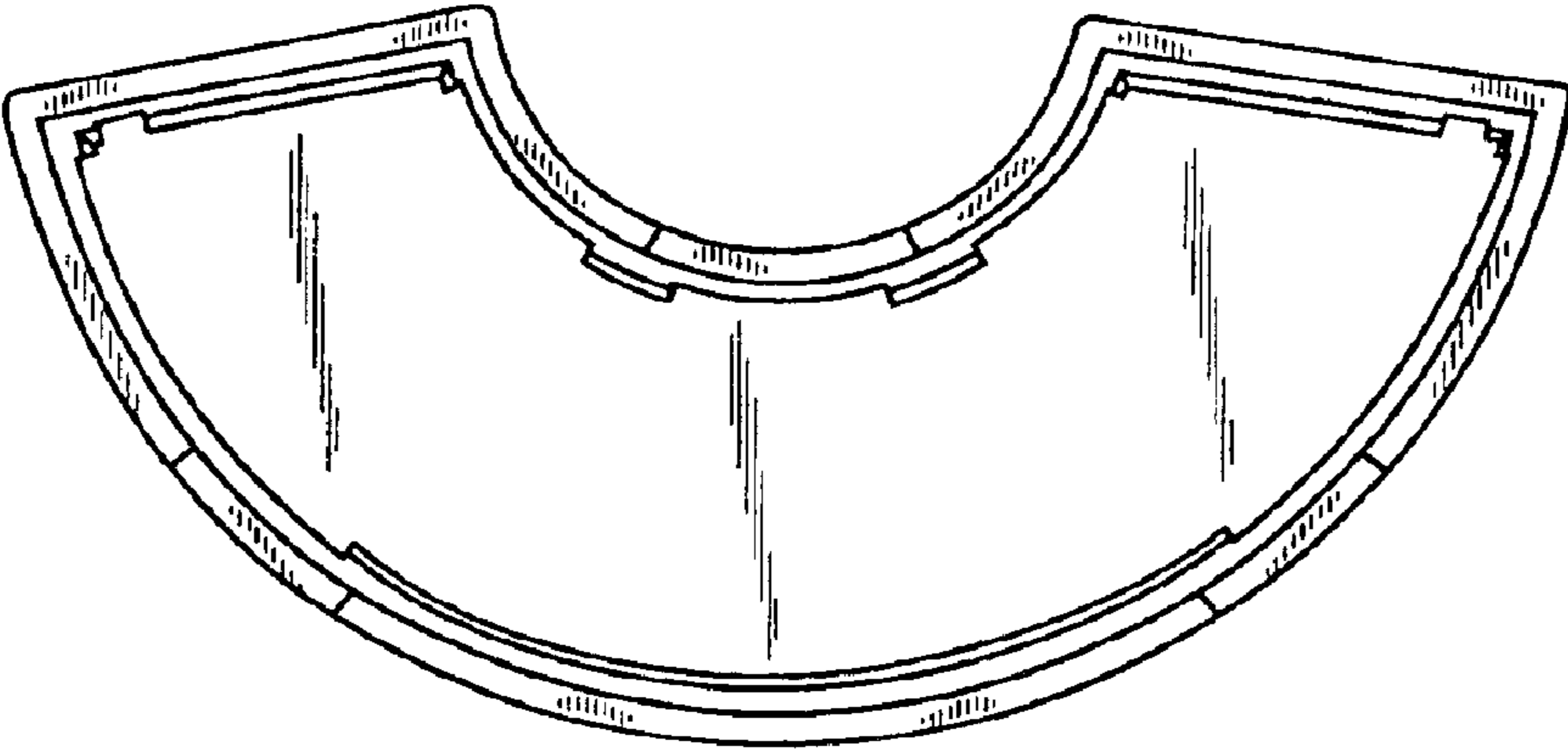


FIG. 7

