

US00D509297S

(12) **United States Design Patent**
Wells

(10) **Patent No.:** **US D509,297 S**
(45) **Date of Patent:** **** Sep. 6, 2005**

(54) **SURGICAL INSTRUMENT**
(75) **Inventor:** **Timothy N. Wells**, Ridgefield, CT (US)
(73) **Assignee:** **Tyco Healthcare Group, LP**, Norwalk, CT (US)
(**) **Term:** **14 Years**

5,816,471 A 10/1998 Plyley et al.
5,862,972 A 1/1999 Green et al.
5,897,562 A 4/1999 Bolanos et al.
5,901,895 A 5/1999 Heaton et al.
5,954,259 A 9/1999 Viola et al.
D416,089 S * 11/1999 Barton et al. D24/145
6,109,500 A 8/2000 Alli et al.
6,241,139 B1 6/2001 Milliman et al.

(21) **Appl. No.:** **29/192,049**
(22) **Filed:** **Oct. 17, 2003**

* cited by examiner
Primary Examiner—Ian Simmons

(51) **LOC (8) Cl.** **24-02**
(52) **U.S. Cl.** **D24/145**
(58) **Field of Search** D24/145, 143,
D24/133, 144, 147, 146; 227/175.1, 901,
175.2, 175.3, 175.4, 176.1, 177.1, 178.1,
179.1, 180.1, 181.1, 182.1, 19; 606/139,
142, 143

(57) **CLAIM**

I claim the ornamental design for a surgical instrument, as shown and described.

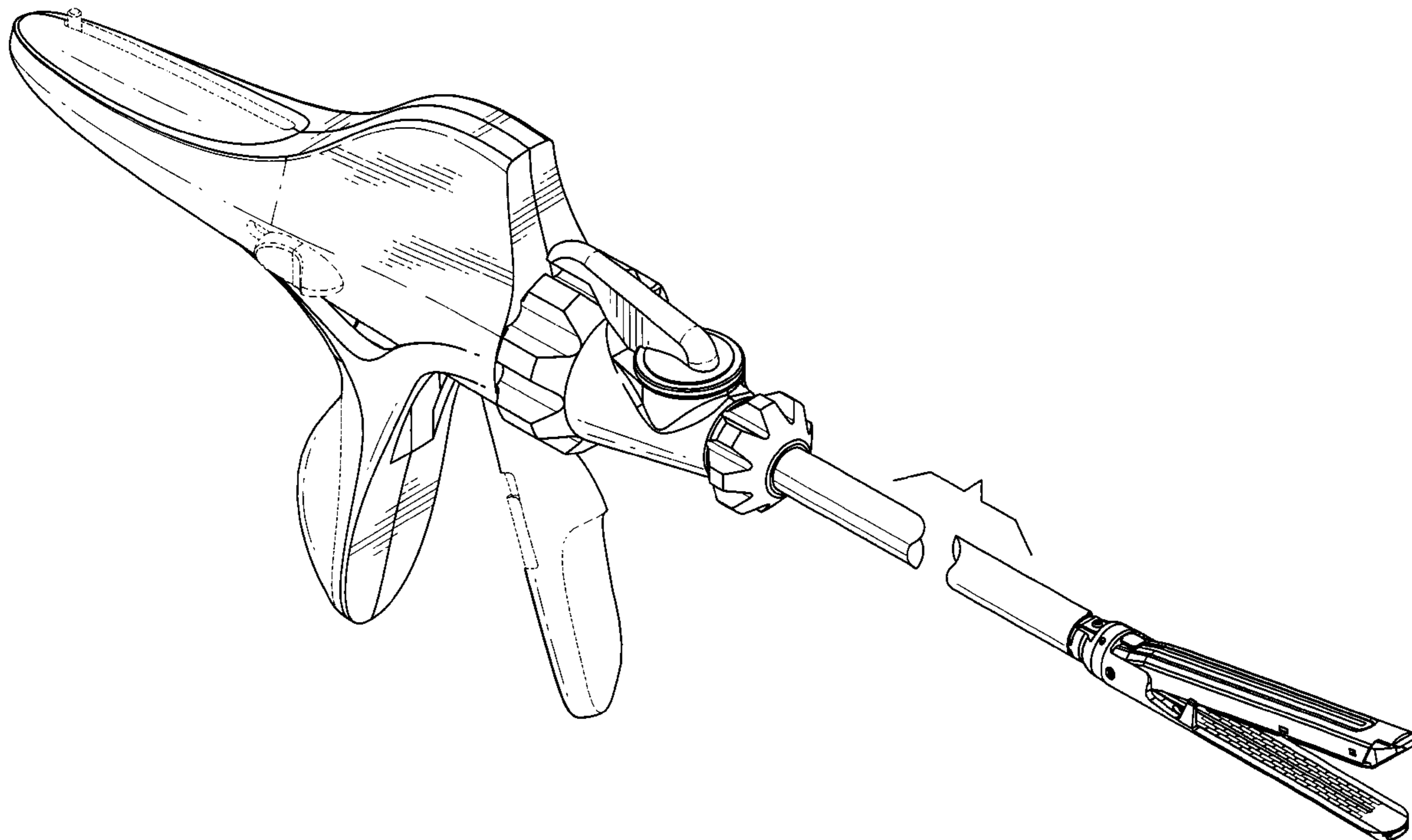
(56) **References Cited**
U.S. PATENT DOCUMENTS

DESCRIPTION

D347,474 S * 5/1994 Olson D24/145
D348,930 S * 7/1994 Olson D24/145
5,356,064 A * 10/1994 Green et al. 227/177.1
5,478,003 A 12/1995 Green et al.
5,690,269 A 11/1997 Bolanos et al.
5,752,644 A 5/1998 Bolanos et al.
5,797,538 A 8/1998 Heaton et al.

FIG. 1 is a perspective view of a surgical instrument showing my new design, with the shaft shown broken in the center for ease of illustration. The broken line showing is for illustrative purposes only and forms no part of the claimed design;
FIG. 2 is a left side elevational view thereof;
FIG. 3 is a top plan view thereof;
FIG. 4 is a right side elevational view thereof;
FIG. 5 is a bottom plan view thereof;
FIG. 6 is a rear elevational view thereof; and,
FIG. 7 is a front elevational view thereof.

1 Claim, 4 Drawing Sheets



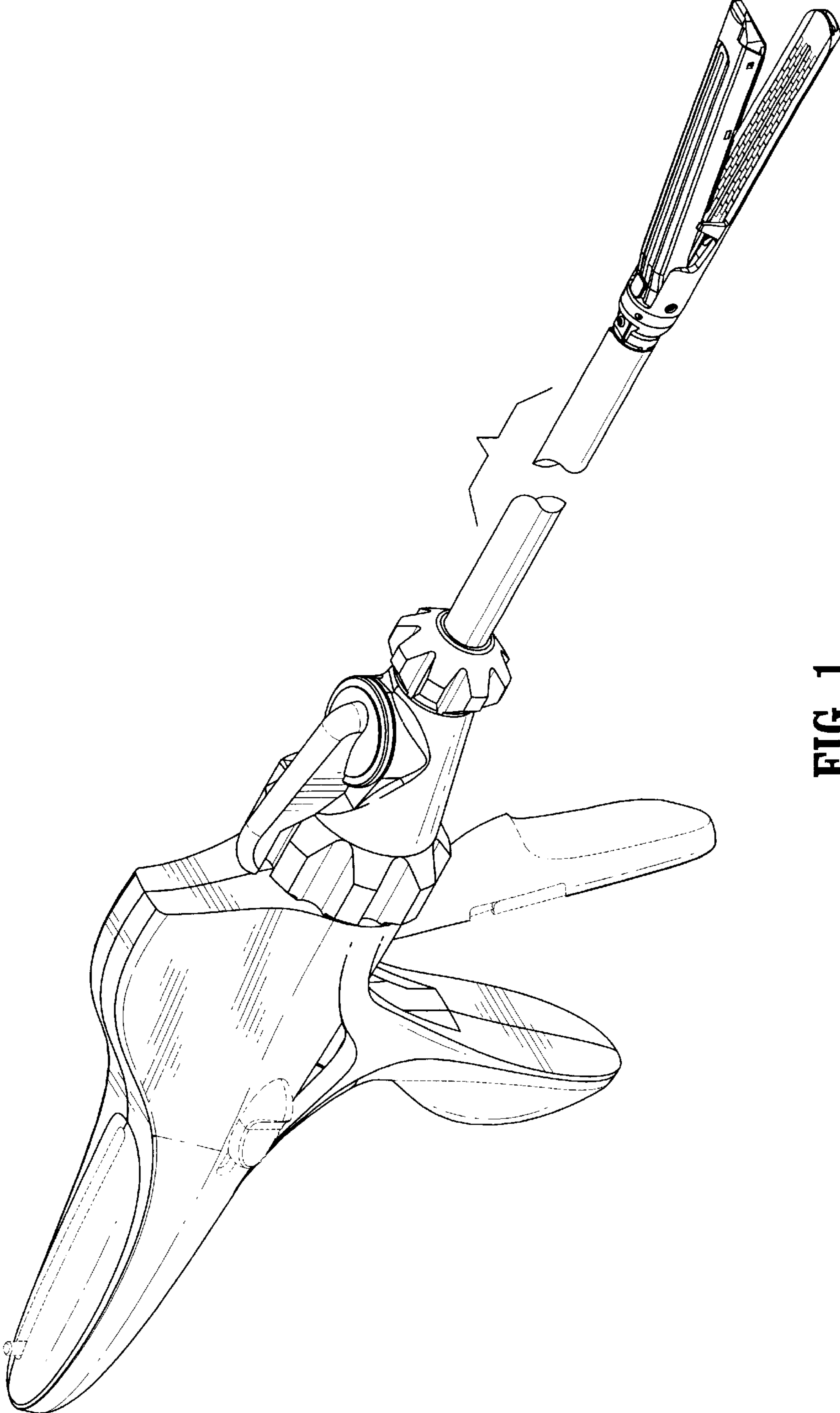


FIG. 1

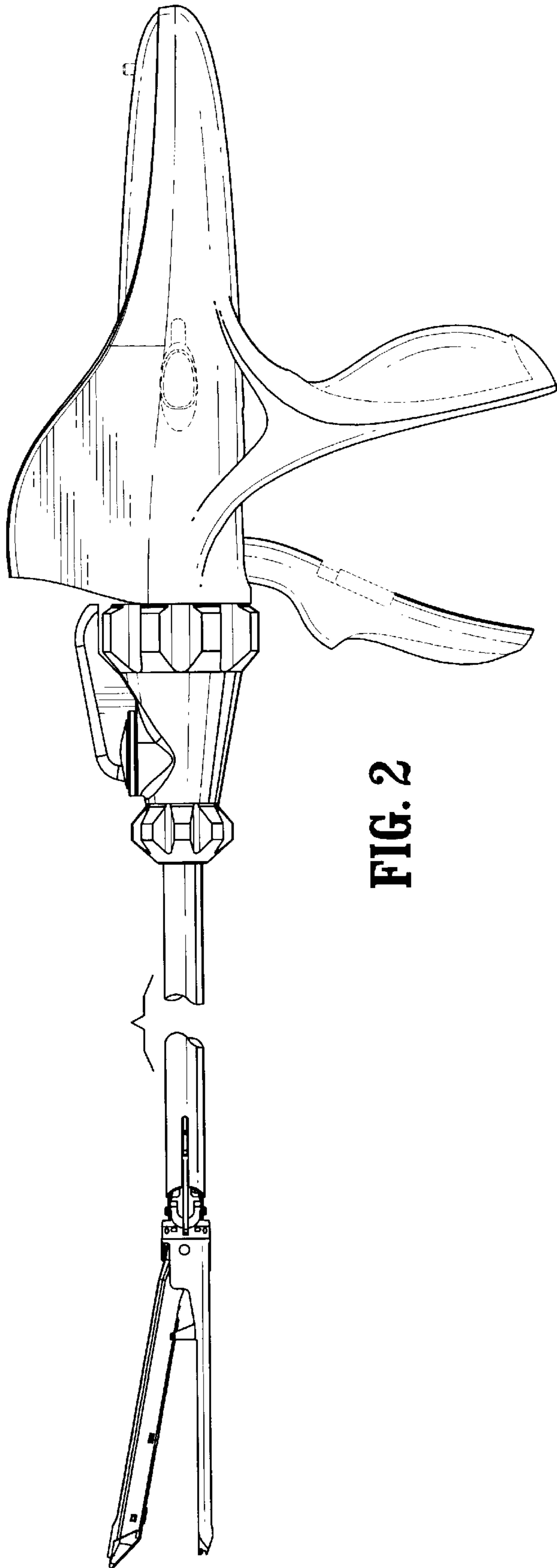


FIG. 2

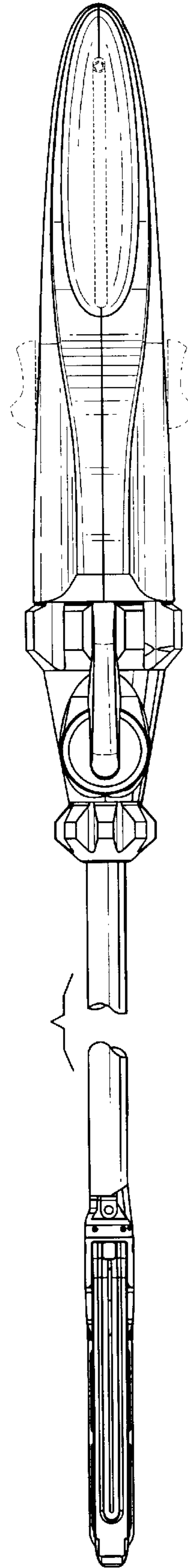


FIG. 3

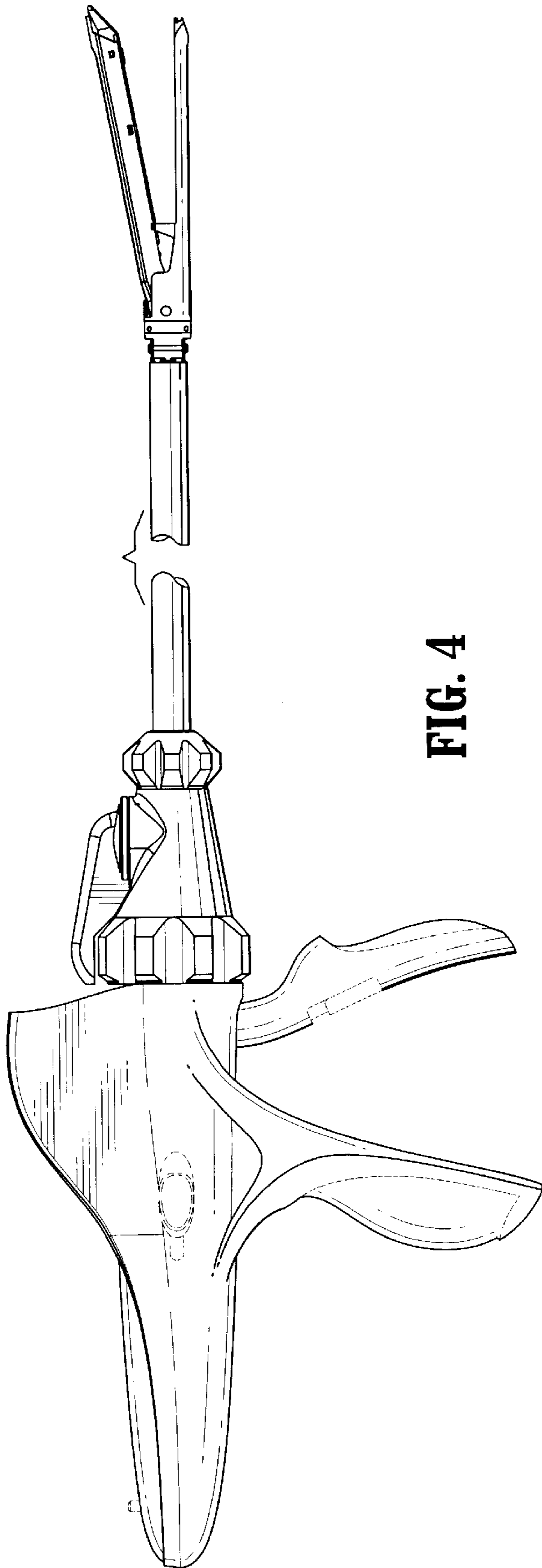


FIG. 4

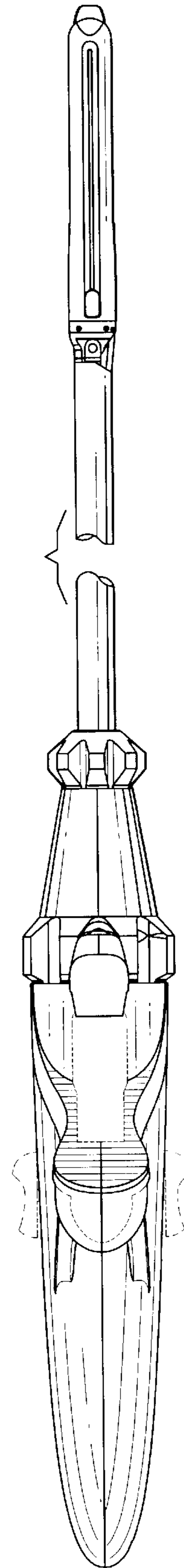


FIG. 5

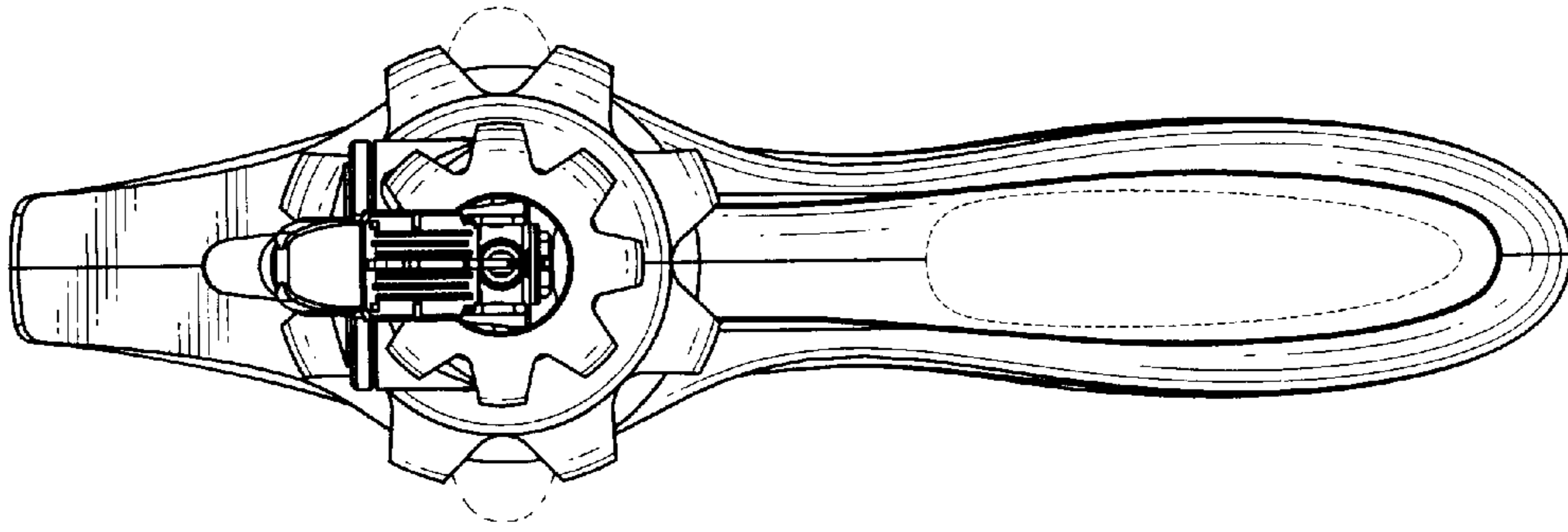


FIG. 7

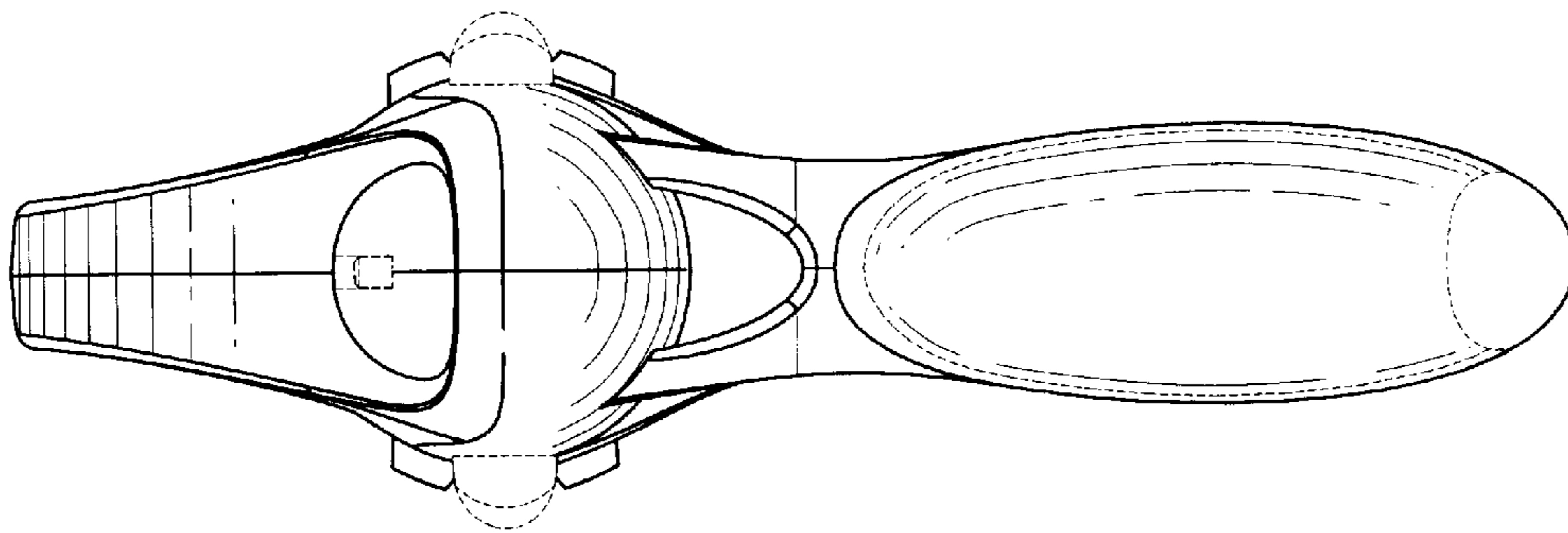


FIG. 6