

US00D509296S

(12) **United States Design Patent** (10) **Patent No.:** **US D509,296 S**
Minshull et al. (45) **Date of Patent:** **** Sep. 6, 2005**

(54) **INHALER**

D469,527 S * 1/2003 Keller et al. D24/110
D493,220 S * 7/2004 Burge et al. D24/110

(75) Inventors: **Stephen J. Minshull**, Crewe (GB);
Martin Miller, London (GB); **Duncan G. Young**, London (GB)

FOREIGN PATENT DOCUMENTS

WO WO 93/21980 11/1993 A61M/15/00
WO WO 99/49920 10/1999 A61M/15/00

(73) Assignee: **Aventis Pharma Limited**, Kent (GB)

* cited by examiner

(**) Term: **14 Years**

Primary Examiner—Ian Simmons

(21) Appl. No.: **29/177,849**

(74) *Attorney, Agent, or Firm*—Synnestvedt & Lechner LLP

(22) Filed: **Mar. 17, 2003**

(57) **CLAIM**

(Under 37 CFR 1.47)

The ornamental design for an inhaler, as shown and described.

(30) **Foreign Application Priority Data**

DESCRIPTION

Sep. 21, 2002 (GB) 3007255

(51) **LOC (8) Cl.** **29-02**

(52) **U.S. Cl.** **D24/110**

(58) **Field of Search** D24/110; 128/203.15,
128/200.23, 200.12, 200.14, 203.21, 205.15,
205.23, 205.21

FIG. 1 is a perspective view of an inhaler showing our new design;
FIG. 2 is a front elevational view thereof;
FIG. 3 is a left side elevational view thereof;
FIG. 4 is a right side elevational view thereof;
FIG. 5 is a rear elevational view thereof;
FIG. 6 is a top plan view thereof;
FIG. 7 is a bottom plan view thereof;
FIG. 8 is a perspective view thereof, with the cap removed;
FIG. 9 is a front elevational view thereof;
FIG. 10 is a left side elevational view thereof;
FIG. 11 is a right side elevational view thereof;
FIG. 12 is a rear elevational view thereof;
FIG. 13 is a top plan view thereof; and,
FIG. 14 is a bottom plan view thereof.
The broken lines are shown for illustrative purposes only and form no part of the claimed design.

(56) **References Cited**

U.S. PATENT DOCUMENTS

4,668,218 A 5/1987 Virtanen 604/58
D348,100 S 6/1994 Clarke D24/110
D348,928 S * 7/1994 Ashley et al. D24/110
5,505,195 A 4/1996 Wolf et al. 128/203.15
5,678,538 A 10/1997 Drought 128/203.15
5,740,792 A 4/1998 Ashley et al. 128/203.15
D397,435 S * 8/1998 Naumann D24/110
D417,732 S * 12/1999 Dagsland et al. D24/110
6,076,521 A 6/2000 Lindahl et al. 128/203.15
D447,230 S * 8/2001 Matsugi et al. D24/110

1 Claim, 6 Drawing Sheets

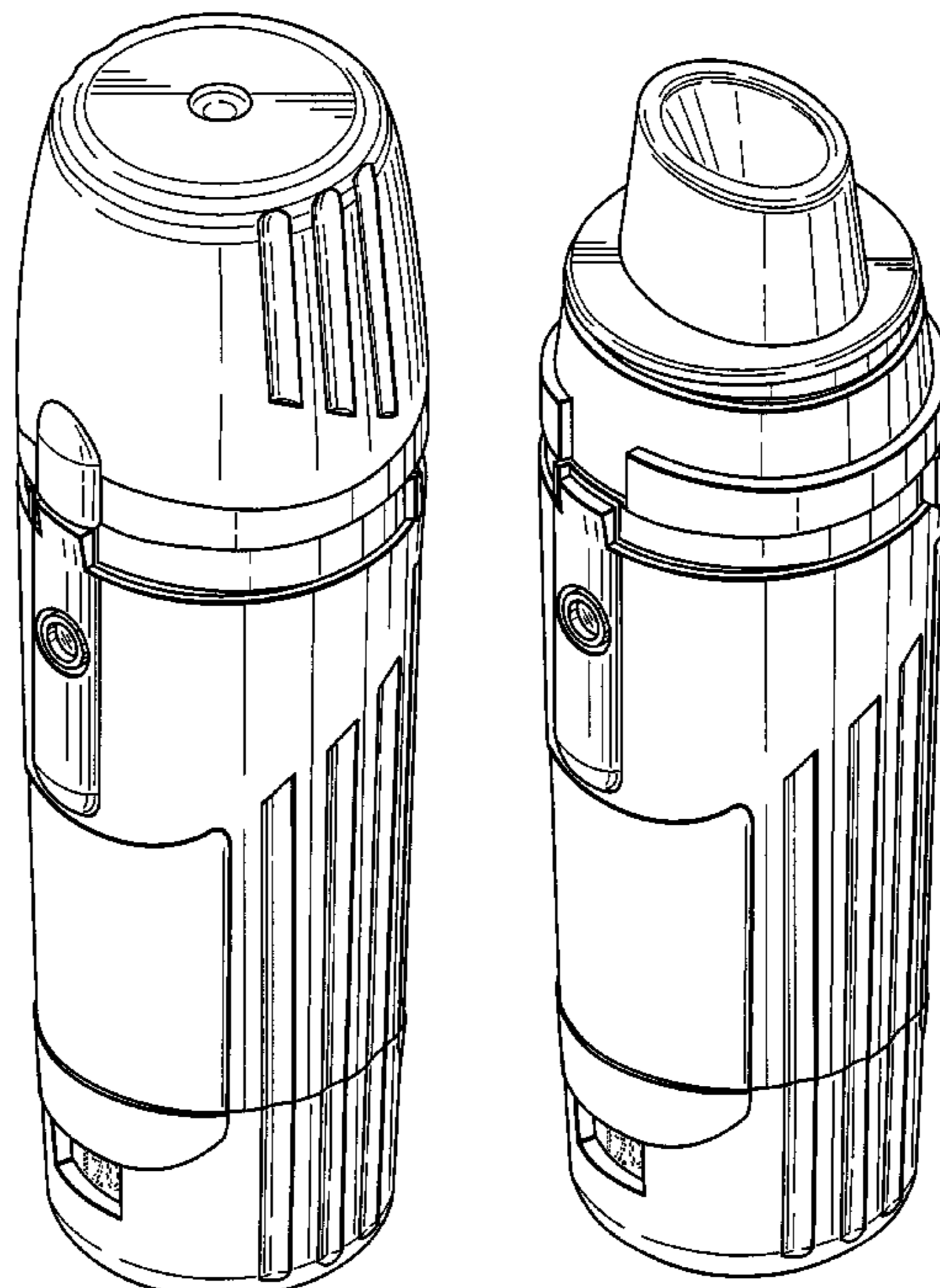


FIG. 1

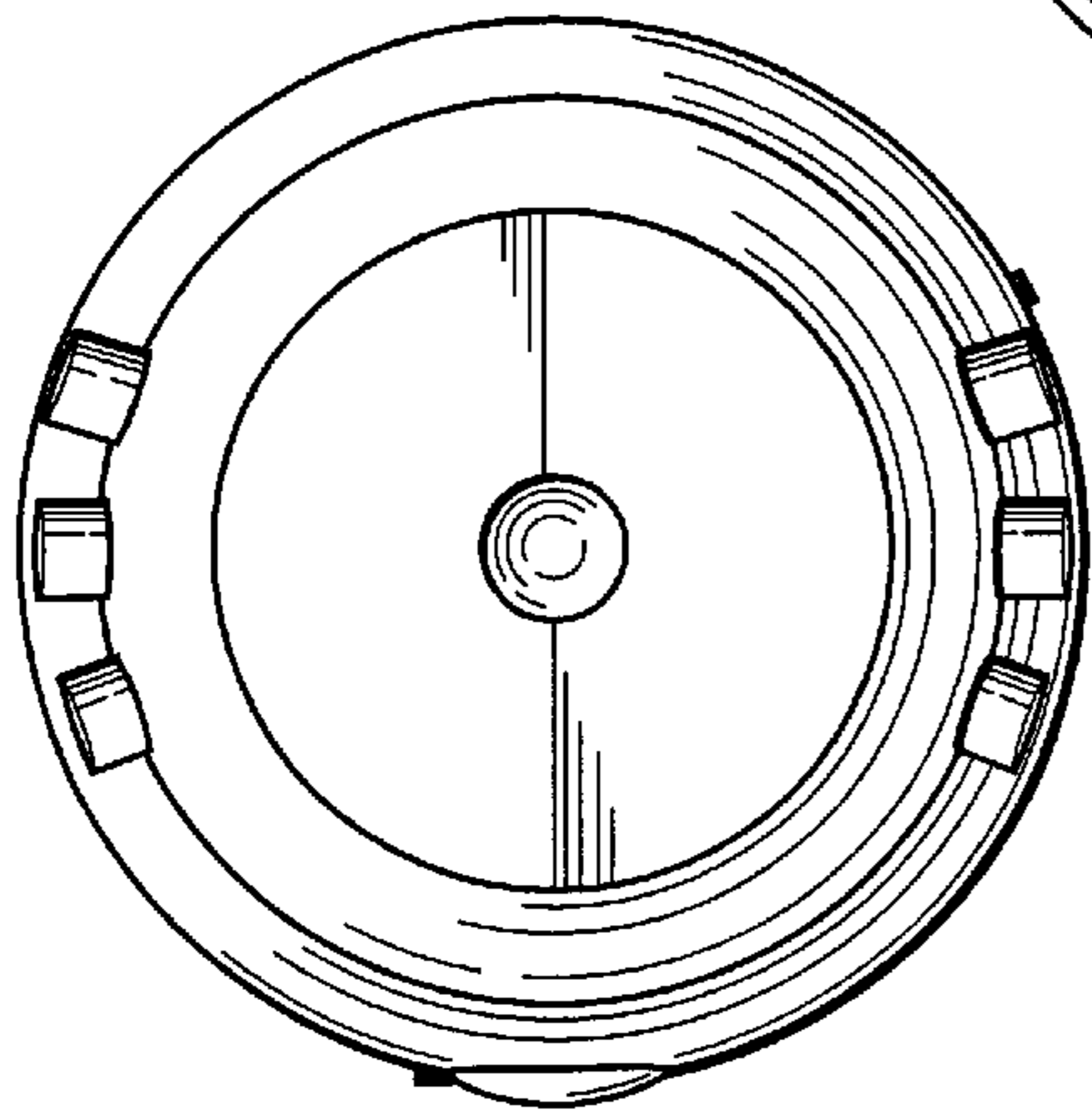
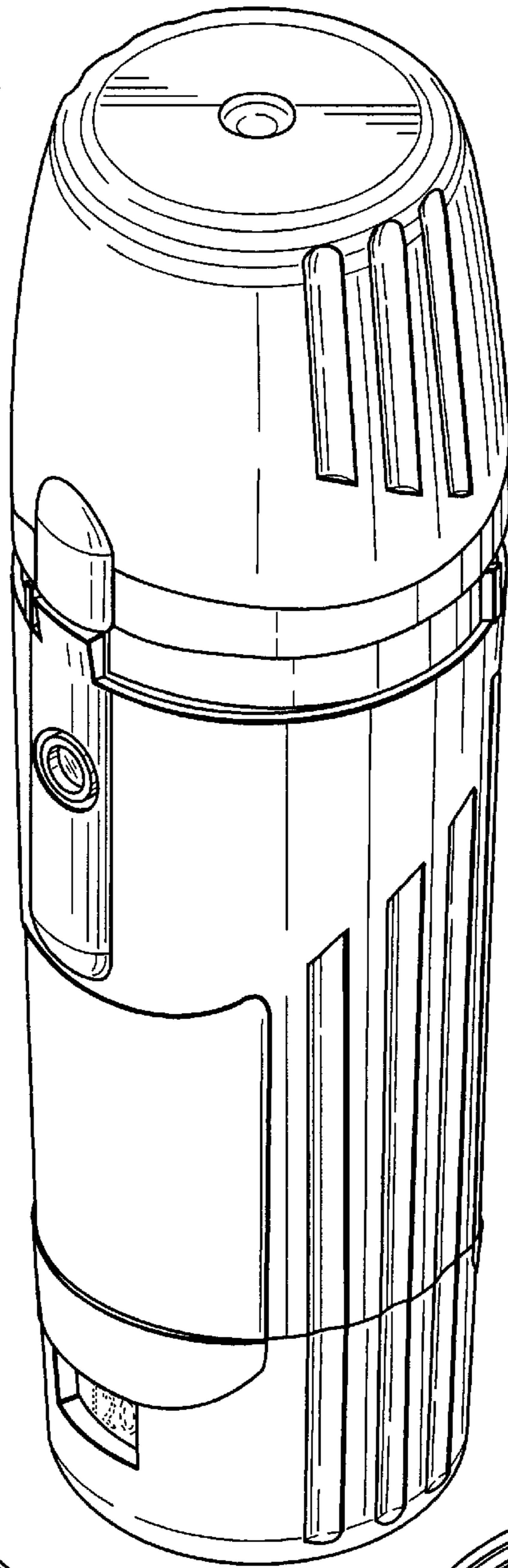


FIG. 6

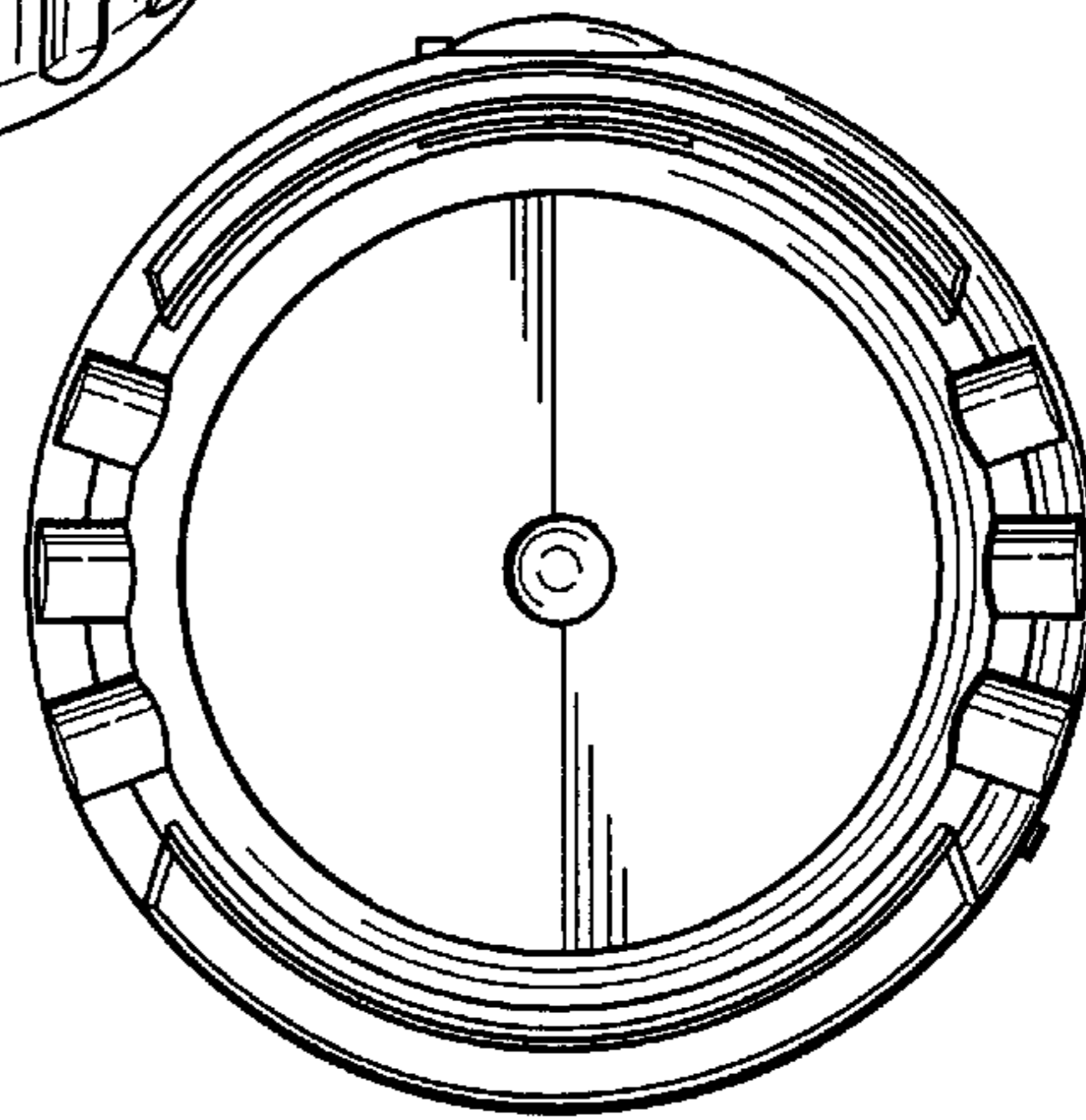


FIG. 7

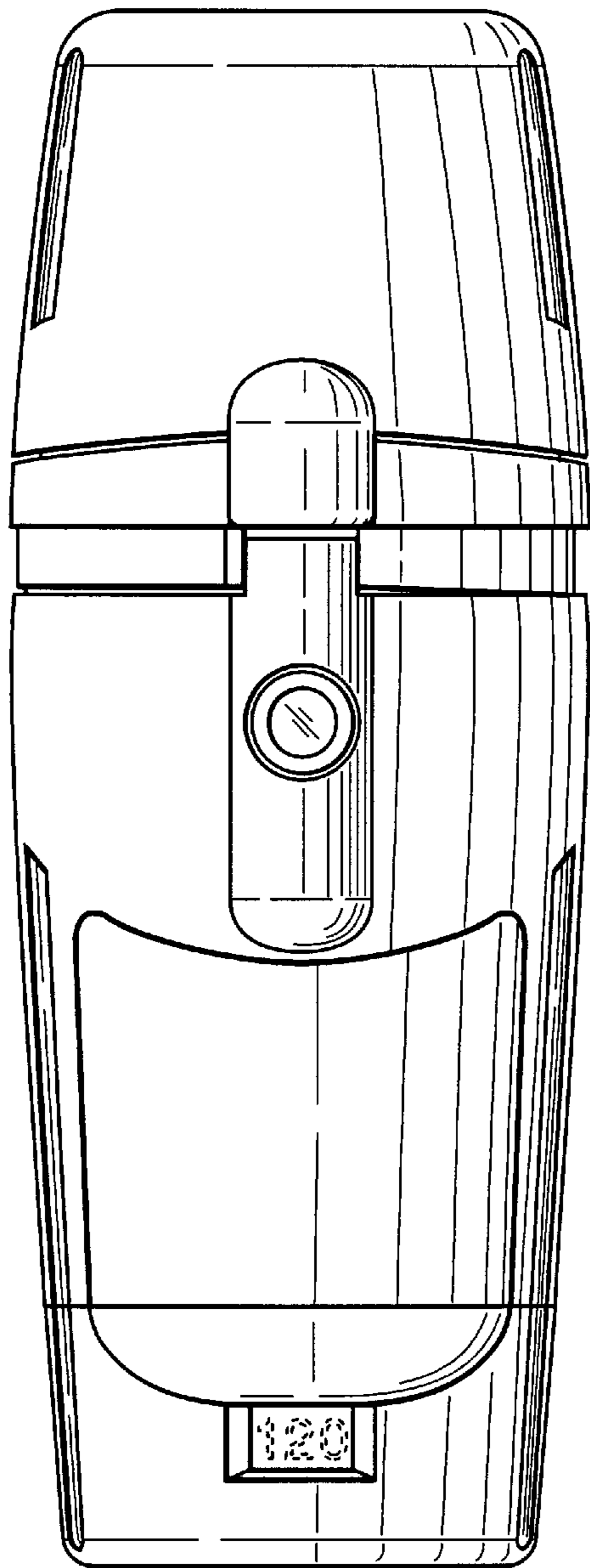


FIG. 2

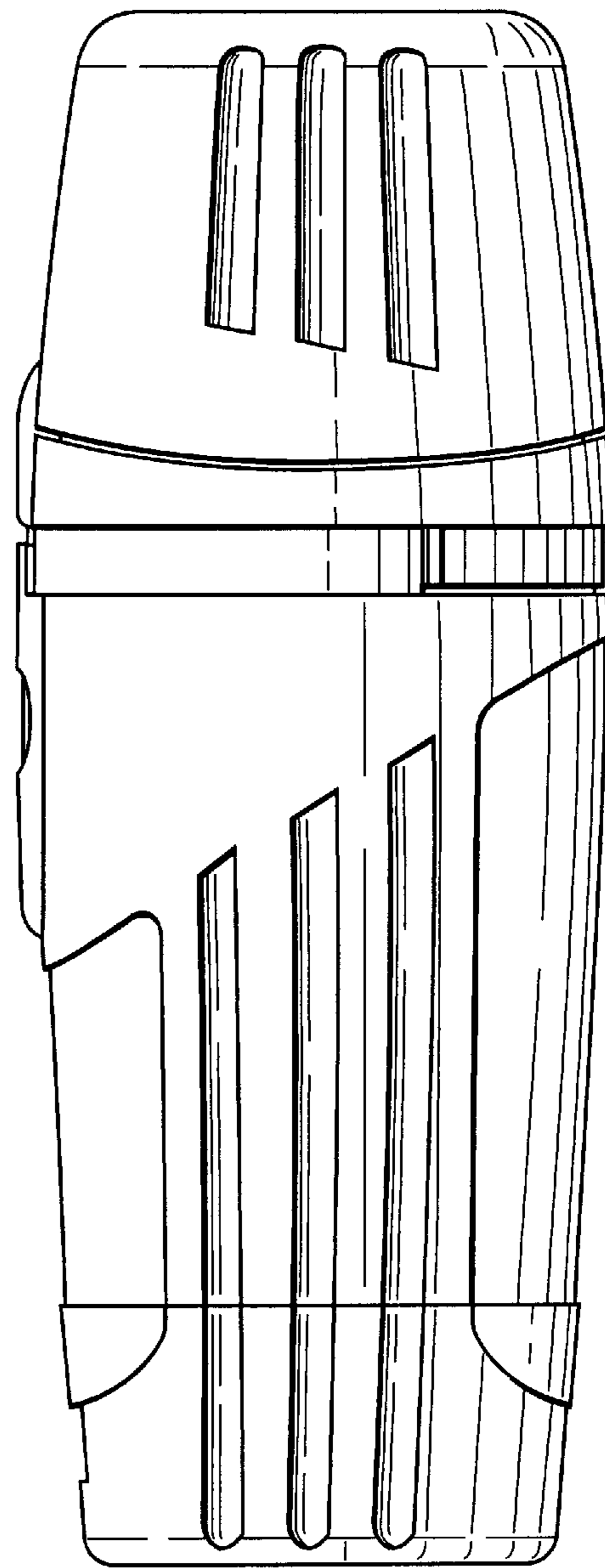


FIG. 3

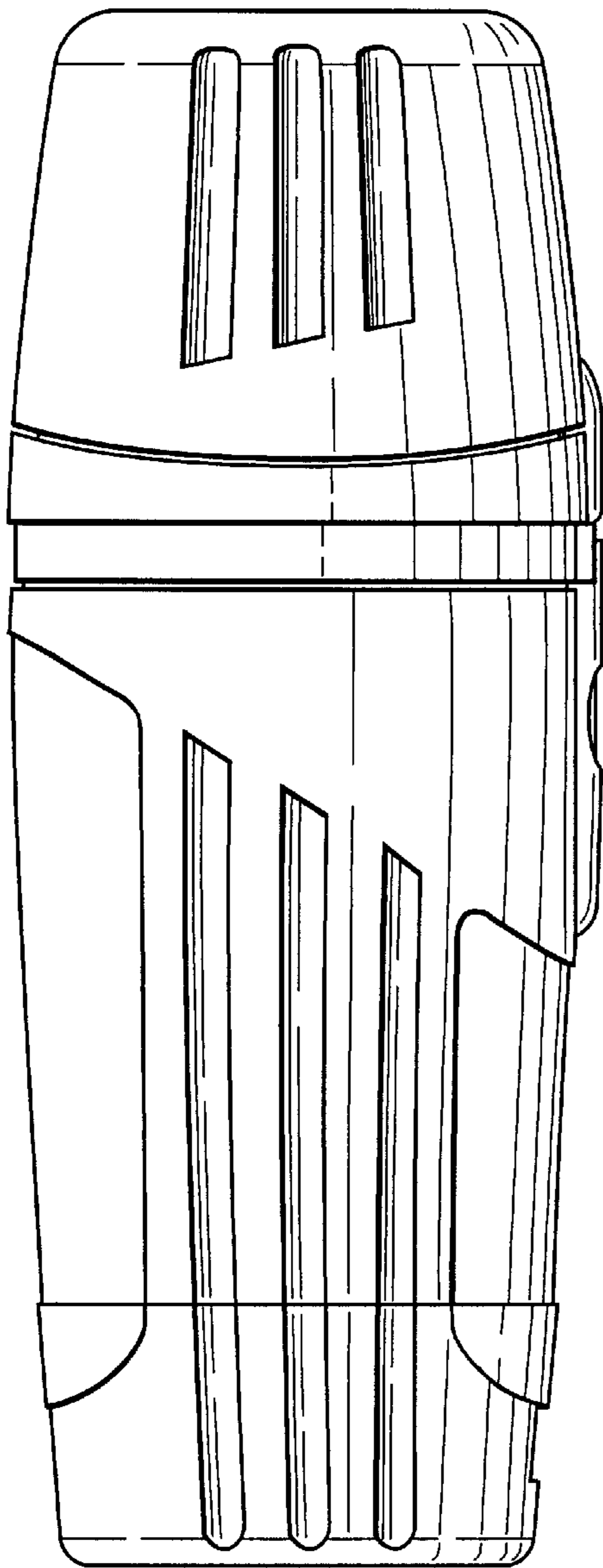


FIG. 4

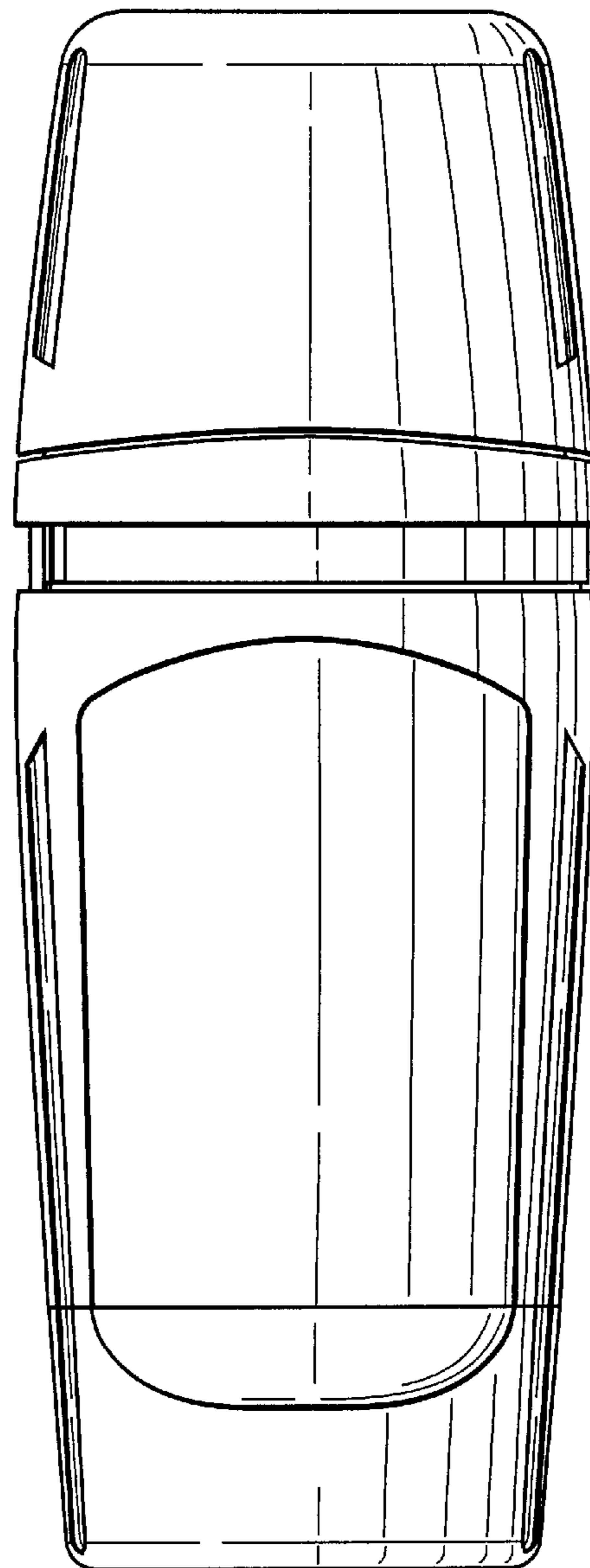


FIG. 5

FIG. 8

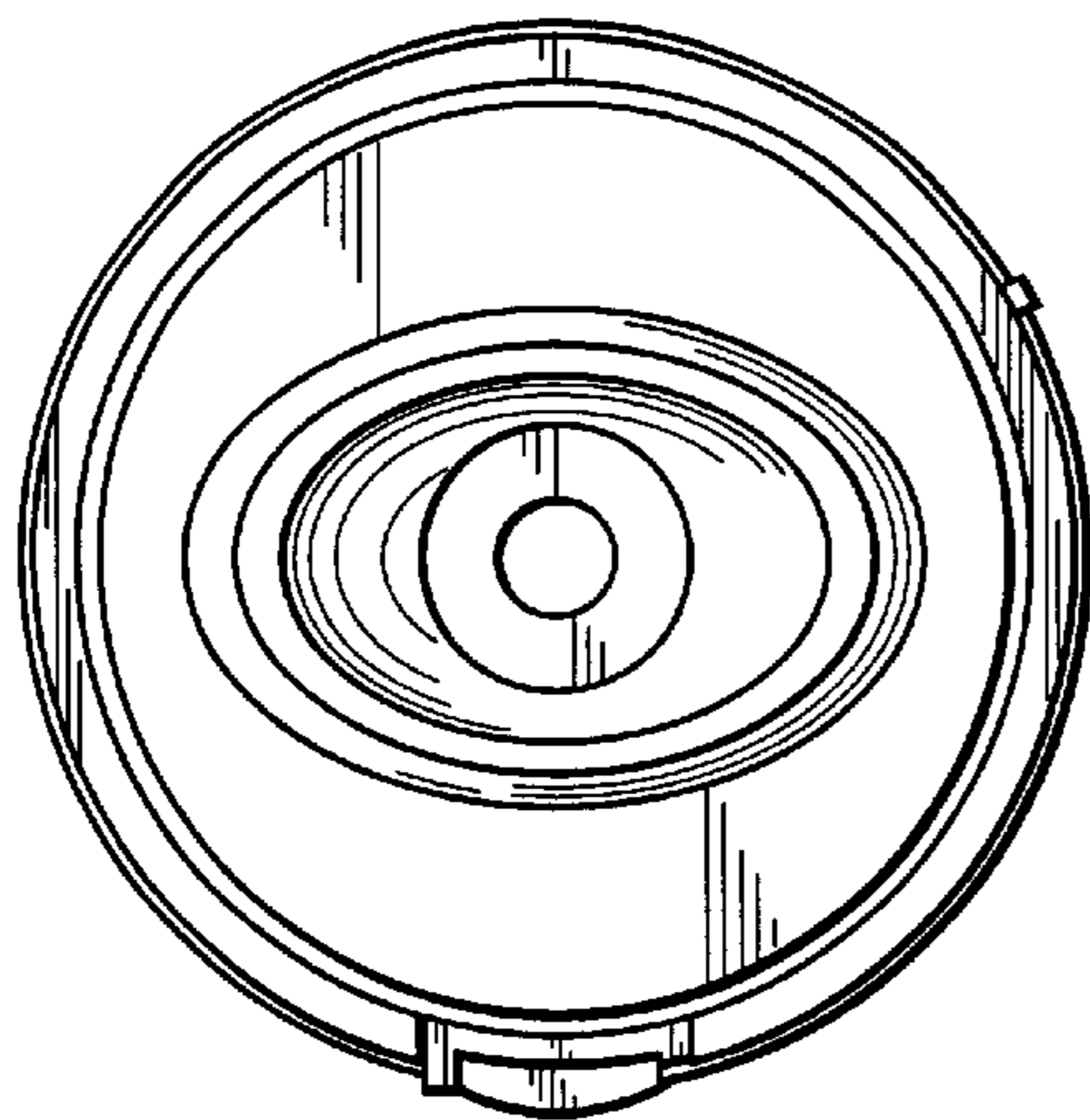
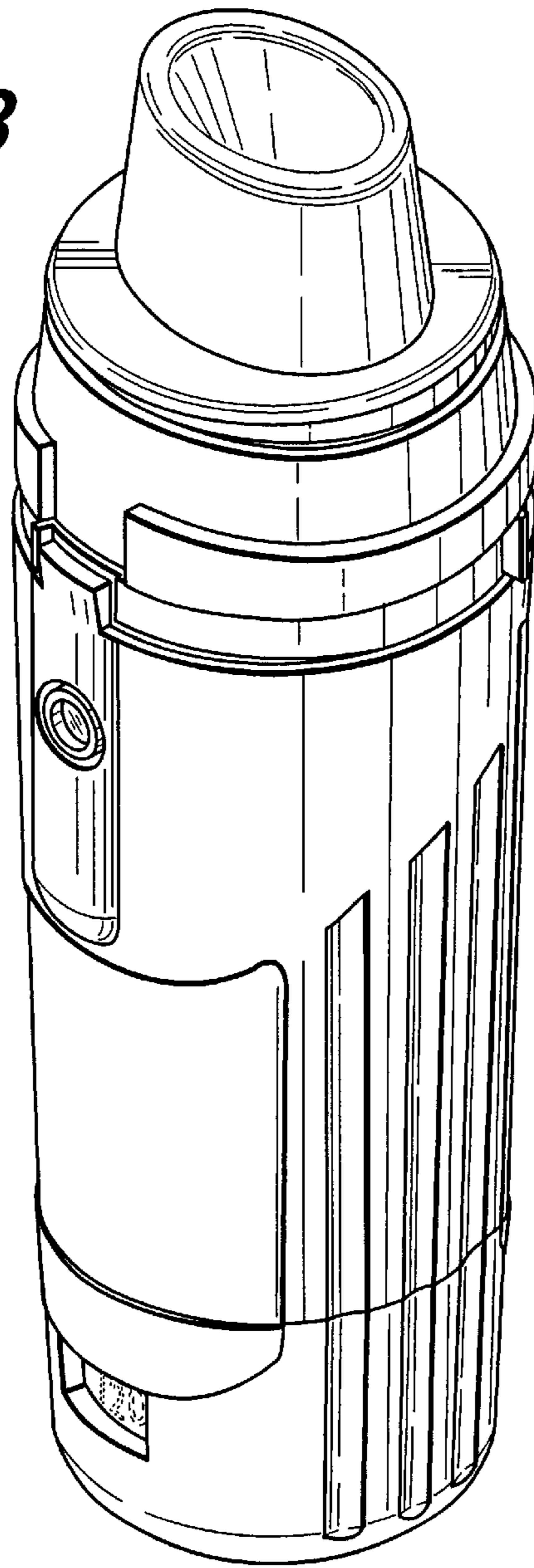


FIG. 13

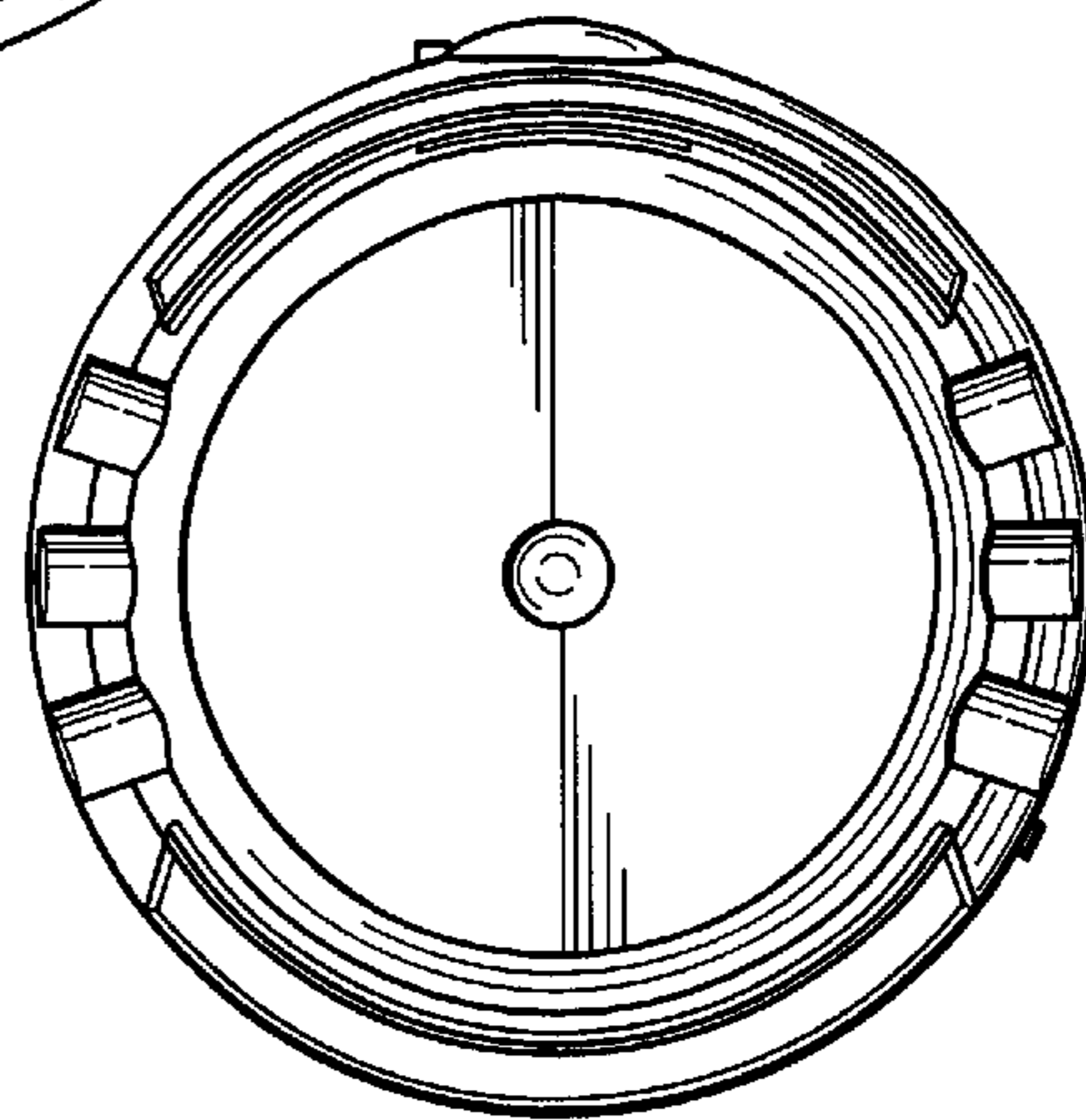


FIG. 14

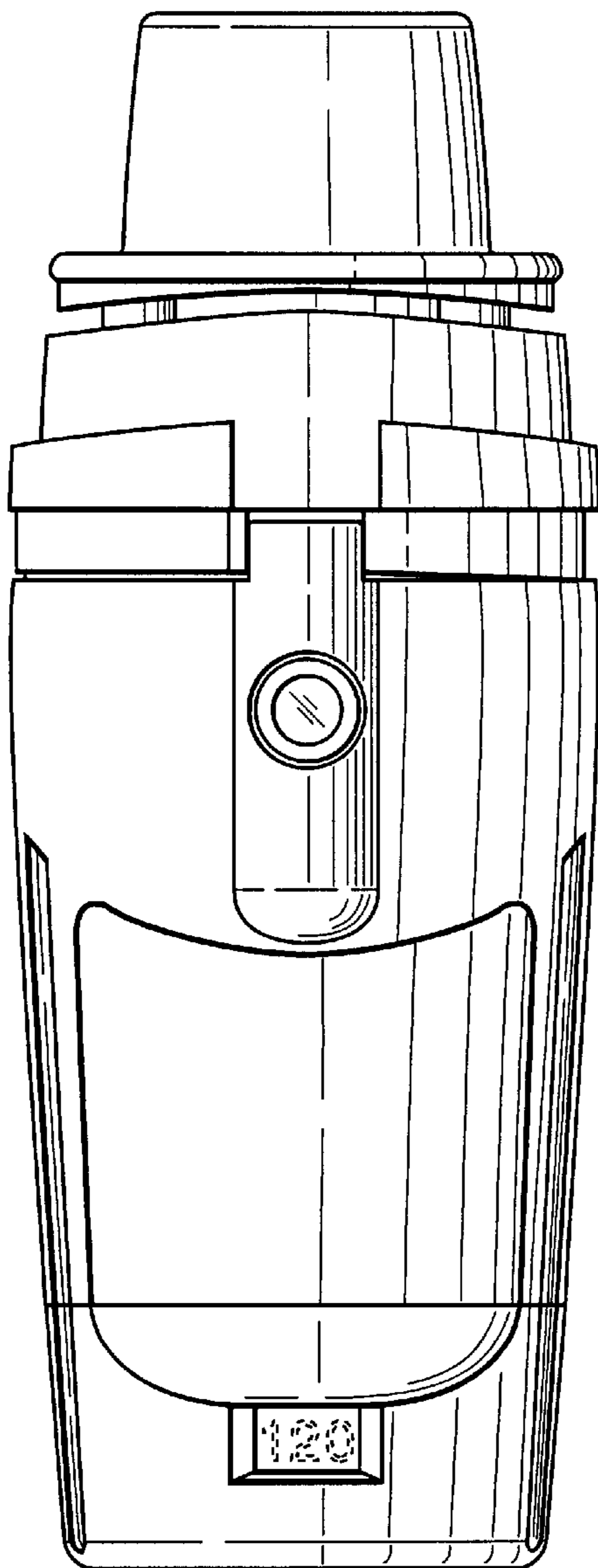


FIG. 9

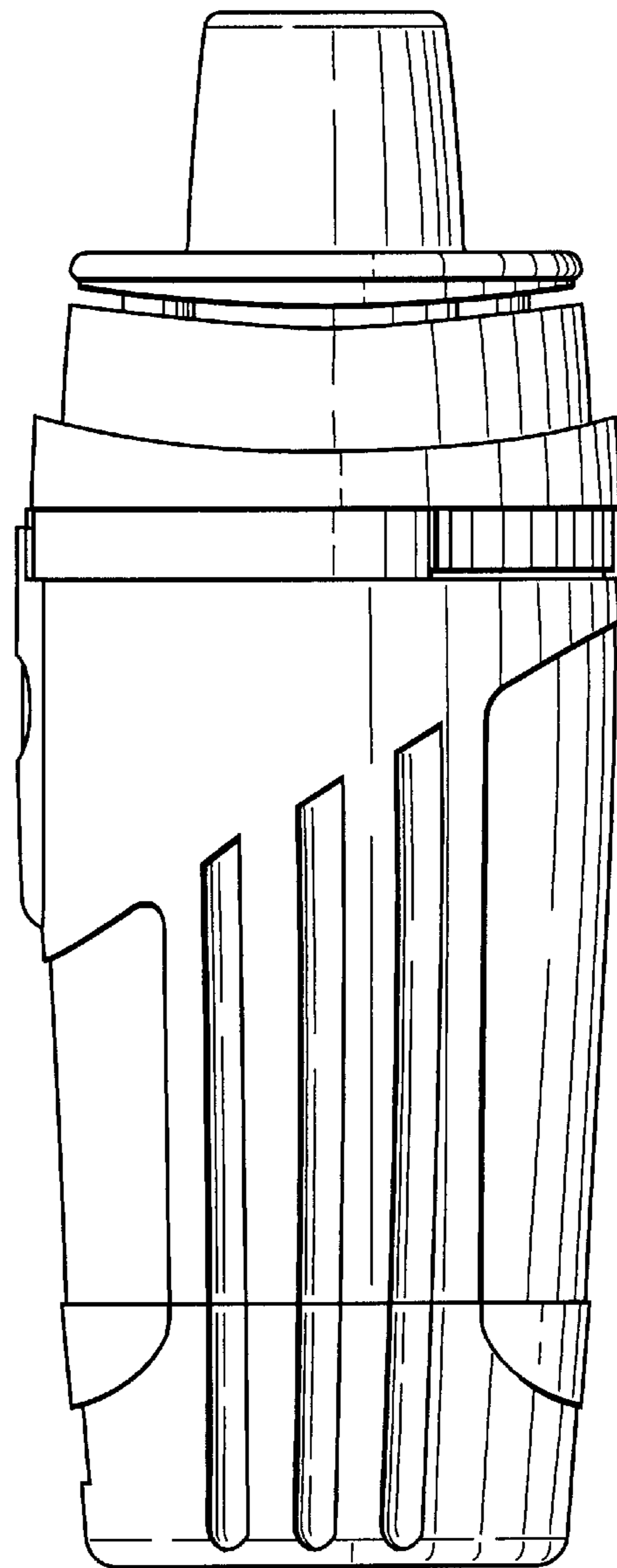


FIG. 10

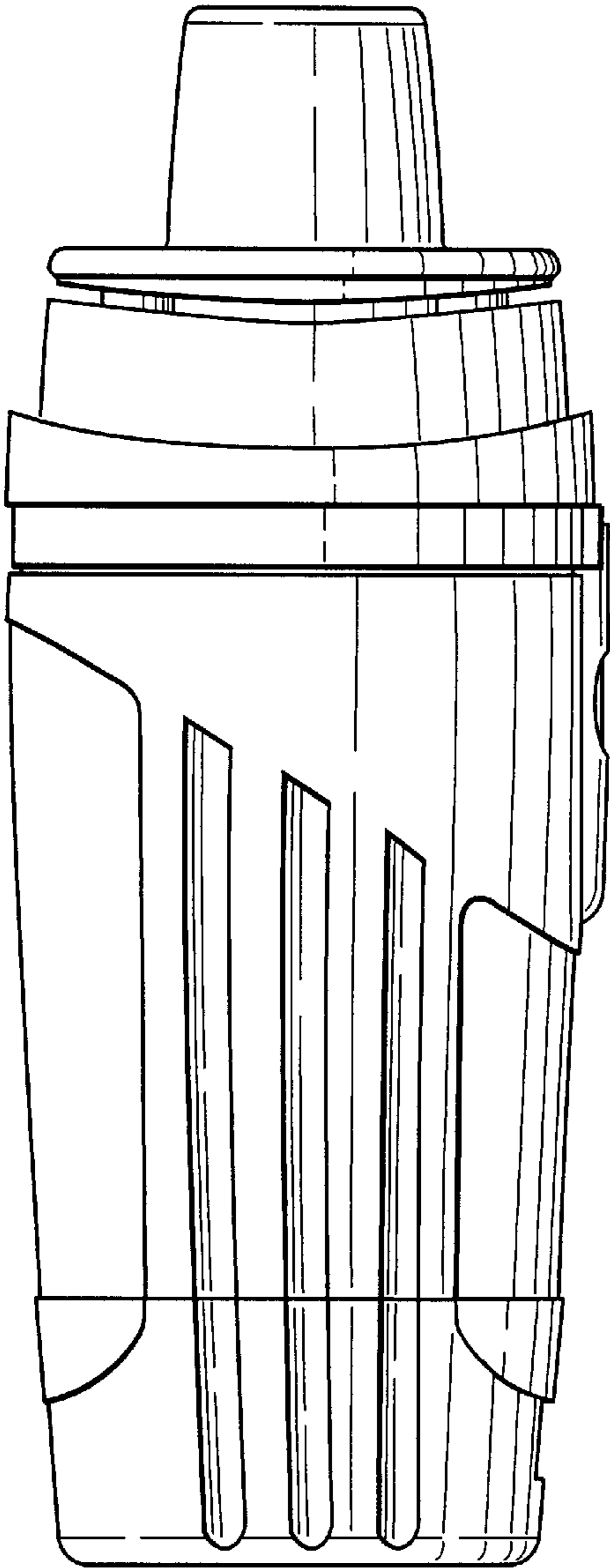


FIG. 11

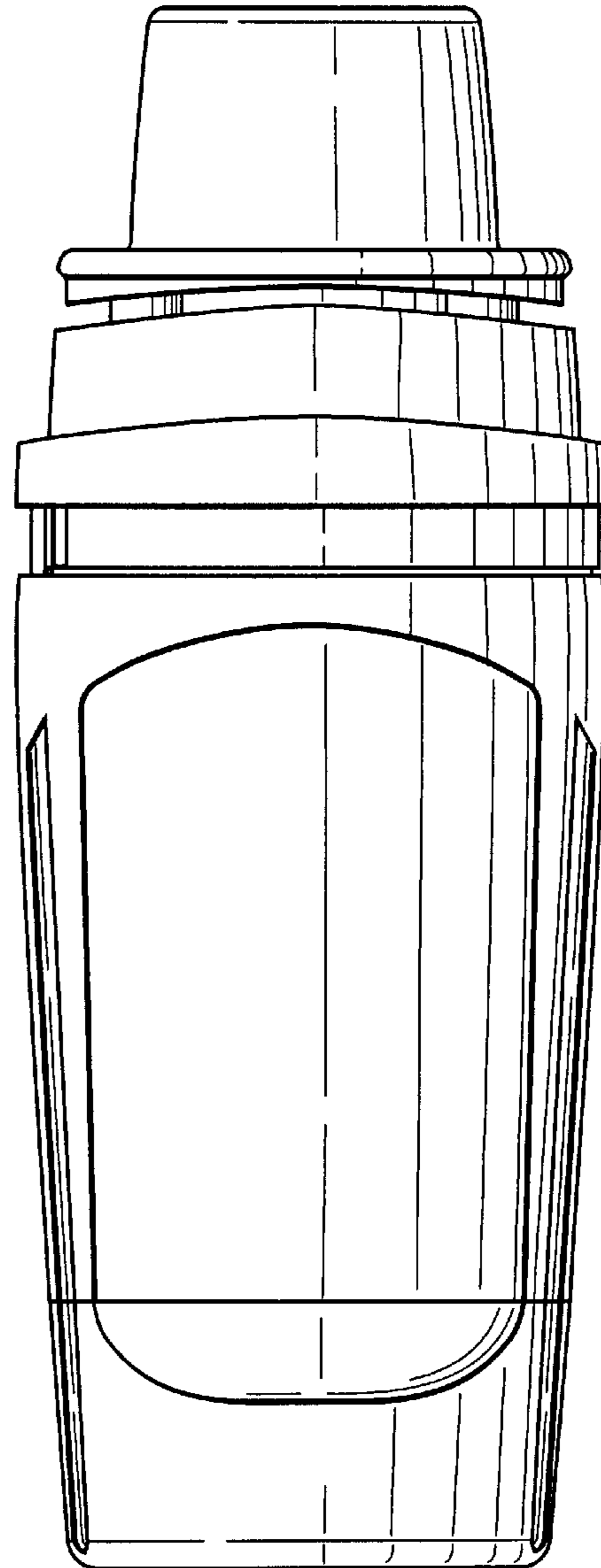


FIG. 12