



US00D509294S

(12) **United States Design Patent** (10) **Patent No.:** **US D509,294 S**
Young (45) **Date of Patent:** **** Sep. 6, 2005**

(54) **COMBINED CEILING FAN BLADE AND BLADE IRON**

Primary Examiner—Lisa Lichtenstein
(74) *Attorney, Agent, or Firm*—Baker & McKenzie LLP

(75) Inventor: **Stanfield Young**, Garden Grove, CA (US)

(57) **CLAIM**

The ornamental design for a combined ceiling fan blade and blade iron, as shown and described.

(73) Assignee: **Minka Lighting, Inc.**, Corona, CA (US)

(**) Term: **14 Years**

DESCRIPTION

(21) Appl. No.: **29/195,870**

FIG. 1 is a perspective view from below of a combined ceiling fan blade and blade iron in accordance with my design, illustrated in its environment;

(22) Filed: **Dec. 18, 2003**

FIG. 2 is an enlarged perspective view from below of the combined ceiling fan blade and blade iron in accordance with my design, illustrated in its environment;

(51) **LOC (8) Cl.** **23-04**

(52) **U.S. Cl.** **D23/411**

(58) **Field of Search** D23/411, 413, D23/377, 379, 385; 416/5, 210 R

FIG. 3 is an enlarged perspective view from below of the combined ceiling fan blade and blade iron in accordance with my design;

(56) **References Cited**

U.S. PATENT DOCUMENTS

D454,636 S * 3/2002 Lantz D23/413
D479,597 S * 9/2003 Curtin D23/413

FIG. 4 is a bottom plan view of the combined ceiling fan blade and blade iron in accordance with my design;

OTHER PUBLICATIONS

Royal Pacific Internet Catalog; Bahama Palm Leaf & Carved Wood Blade Ceiling Fan, Model # 1012-BP, printed from www.fanshack.com, Nov. 17, 2003, Royal Pacific Ceiling Fans.

Fanimation Internet Catalog; The Louvre ceiling fan, Model No. FP1320GZ; Printed from www.fanimation.com, Feb. 20, 2004, Fanimation Fans.

Hampton Bay ceiling fan, Model No. 73554; Printed from www.homedepot.com, Feb. 20, 2004, Home Depot.

Kona Bay ceiling fan, Model No. K52AW; Printed from www.craftmade.com, Feb. 20, 2004, Craftmade International, Inc.

FIG. 5 is a side elevation view of the combined ceiling fan blade and blade iron in accordance with my design; the opposite side being a mirror image of that shown

FIG. 6 is a proximal view of the combined ceiling fan blade and blade iron in accordance with my design; and,

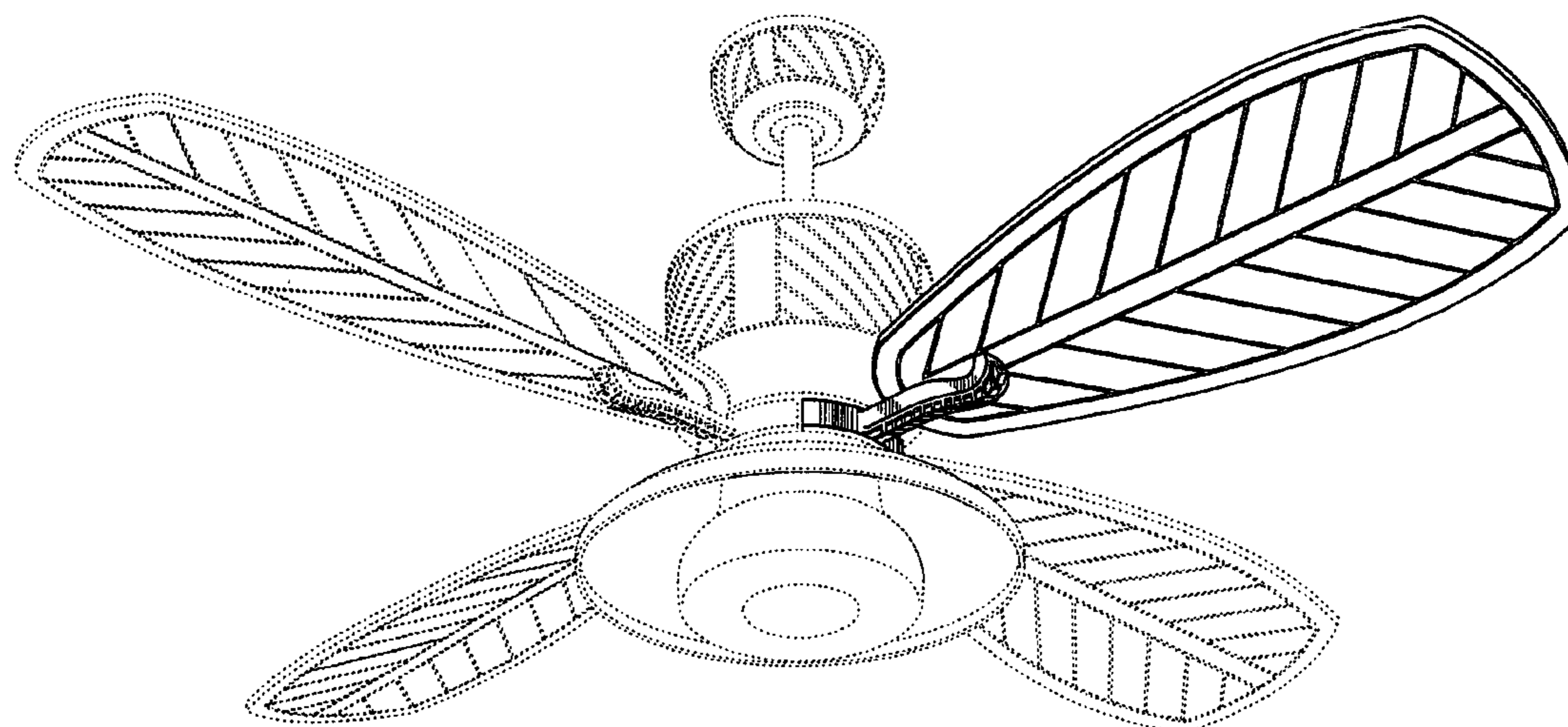
FIG. 7 is a distal view of the combined ceiling fan blade and blade iron in accordance with my design.

The broken lines showing environmental structure are for illustrative purposes and form no part of the claimed design.

In FIGS. 3, 4 and 5, the Fan blade is shown broken away to indicate indeterminate length.

* cited by examiner

1 Claim, 4 Drawing Sheets



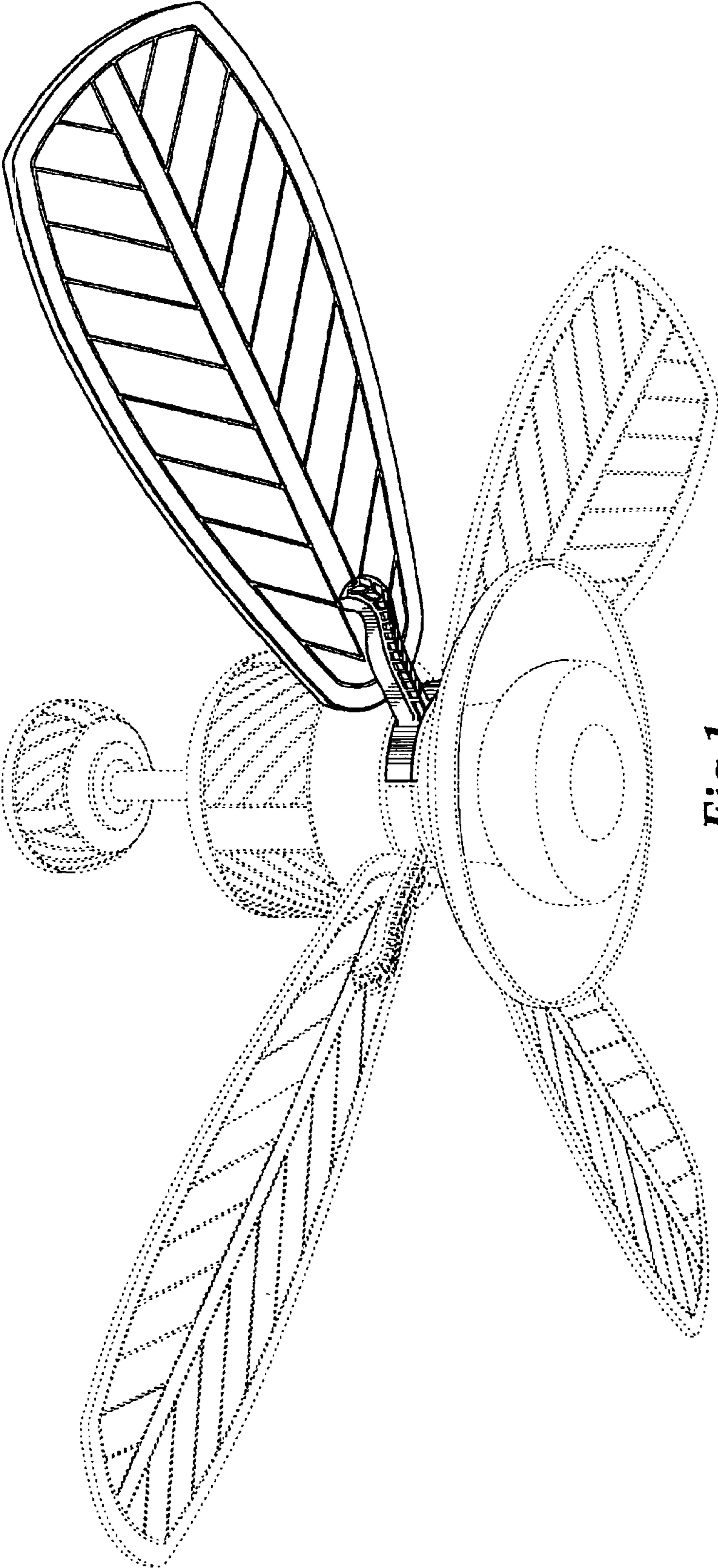


Fig. 1

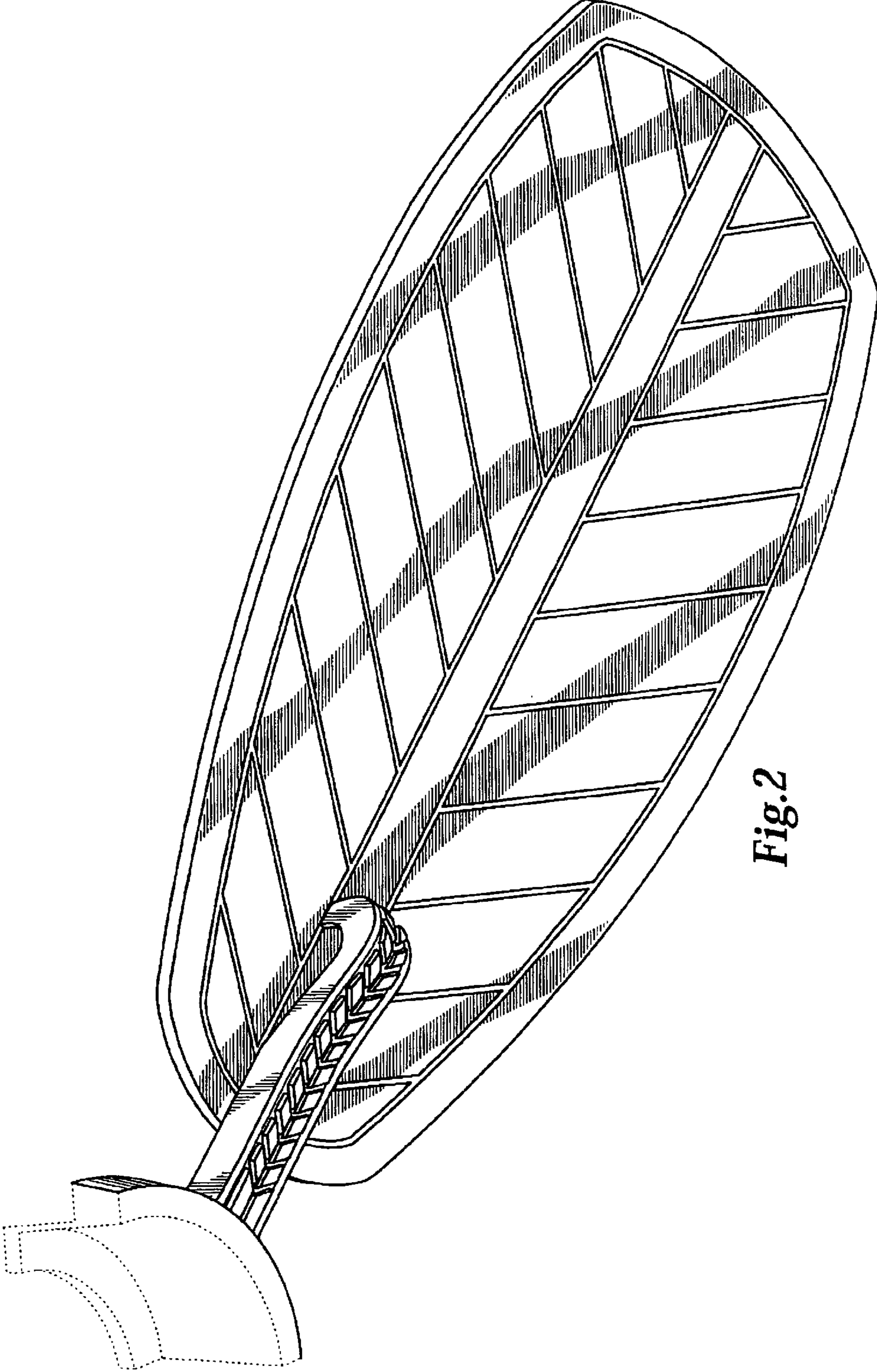
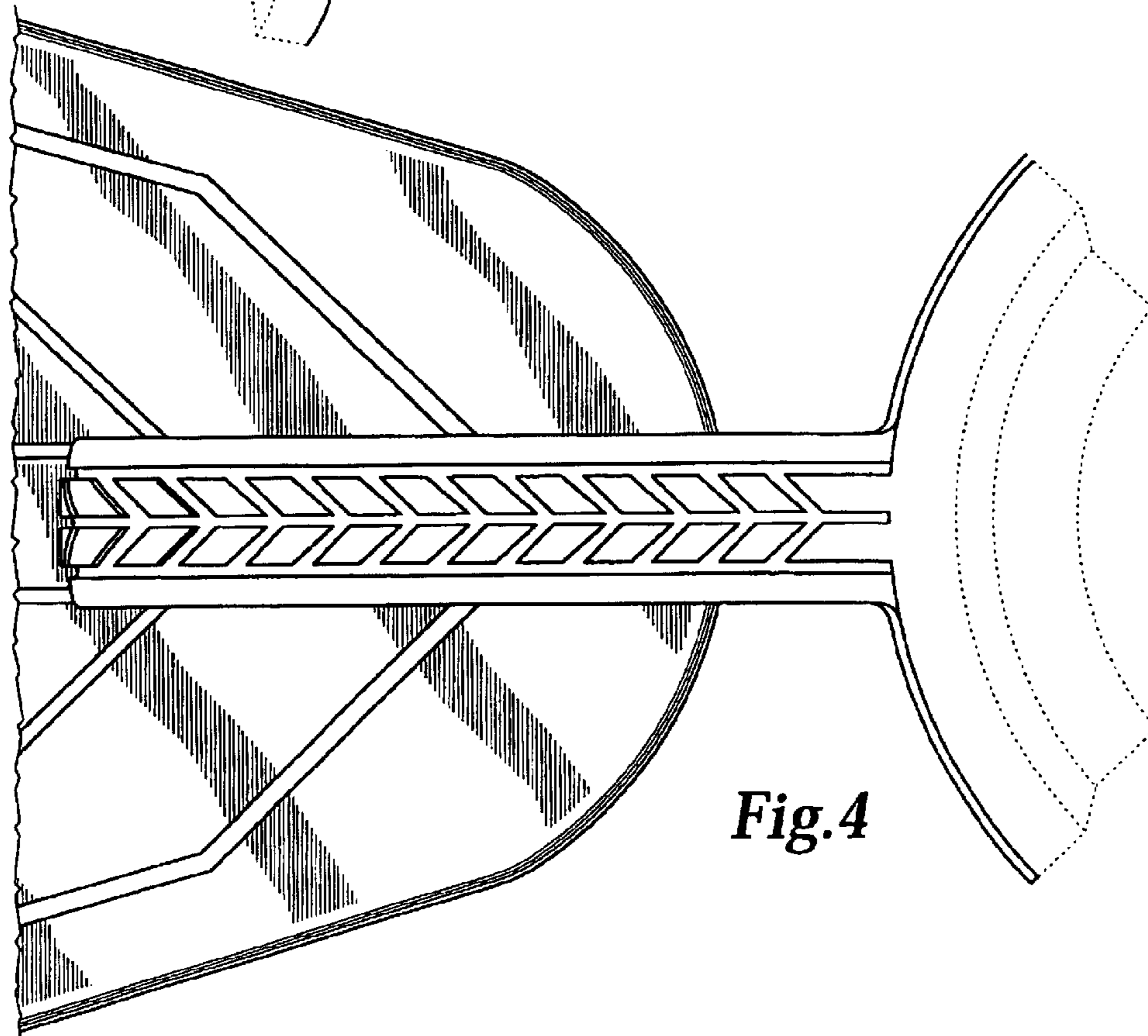
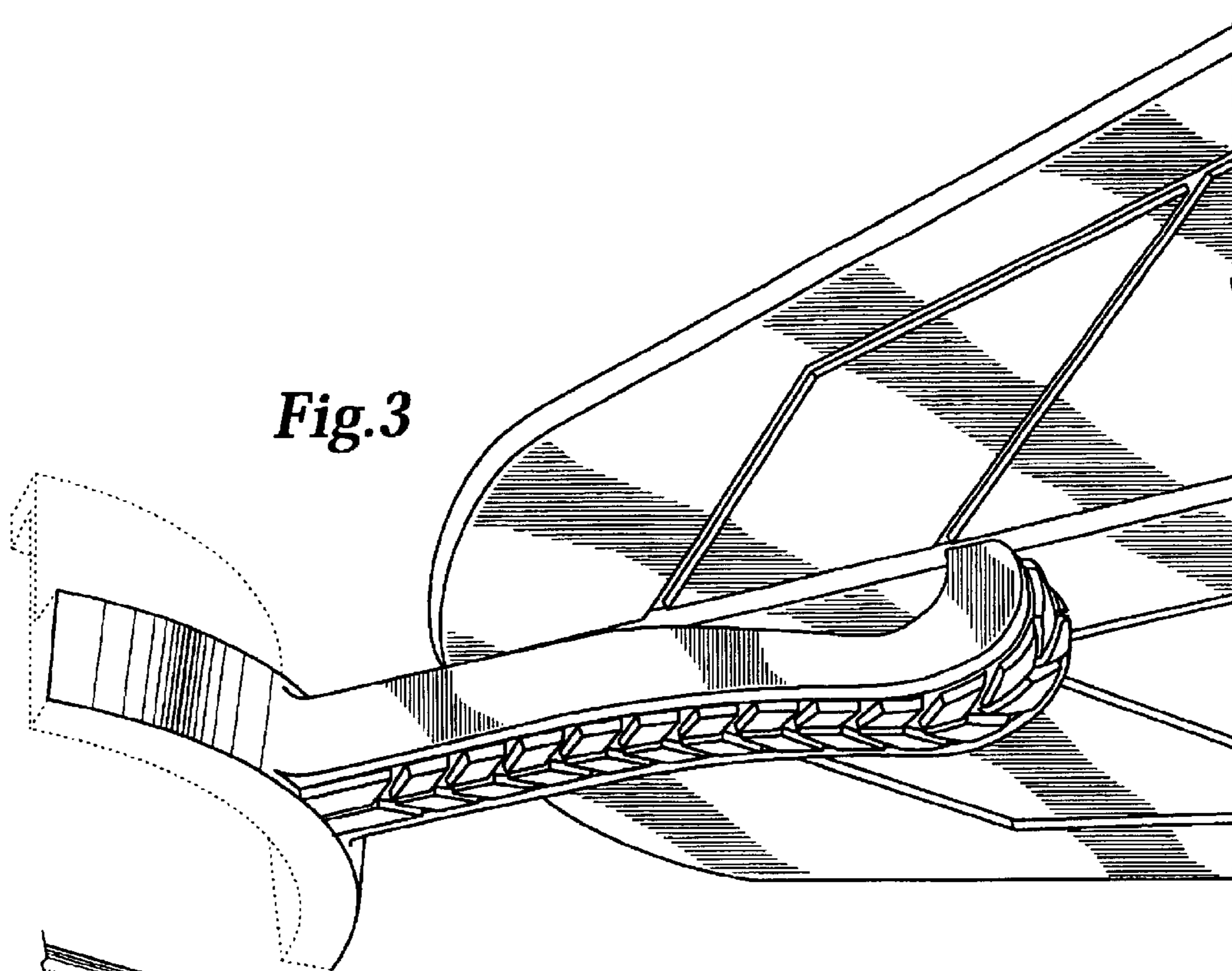


Fig. 2



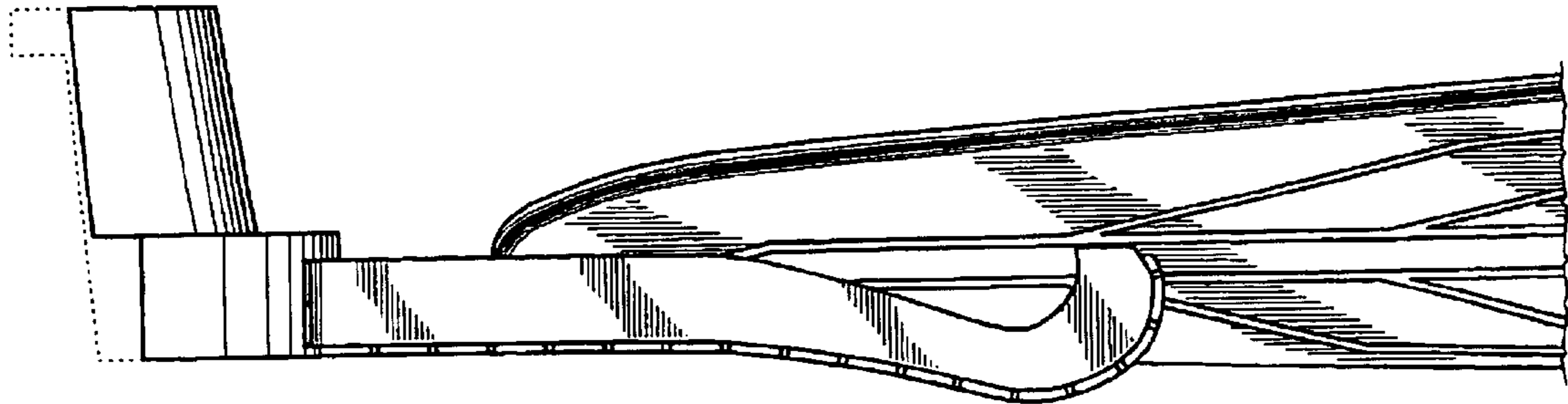


Fig.5

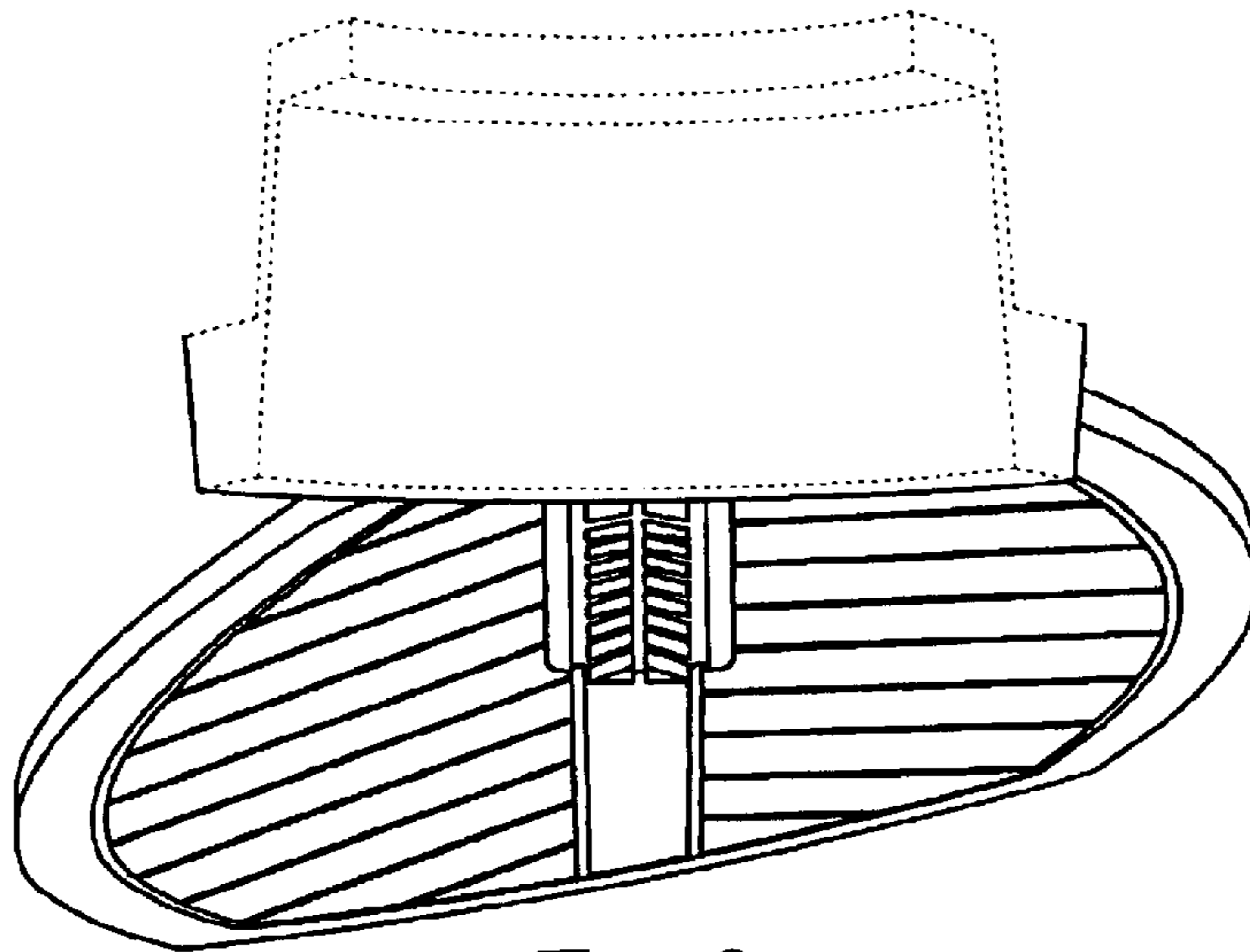


Fig.6

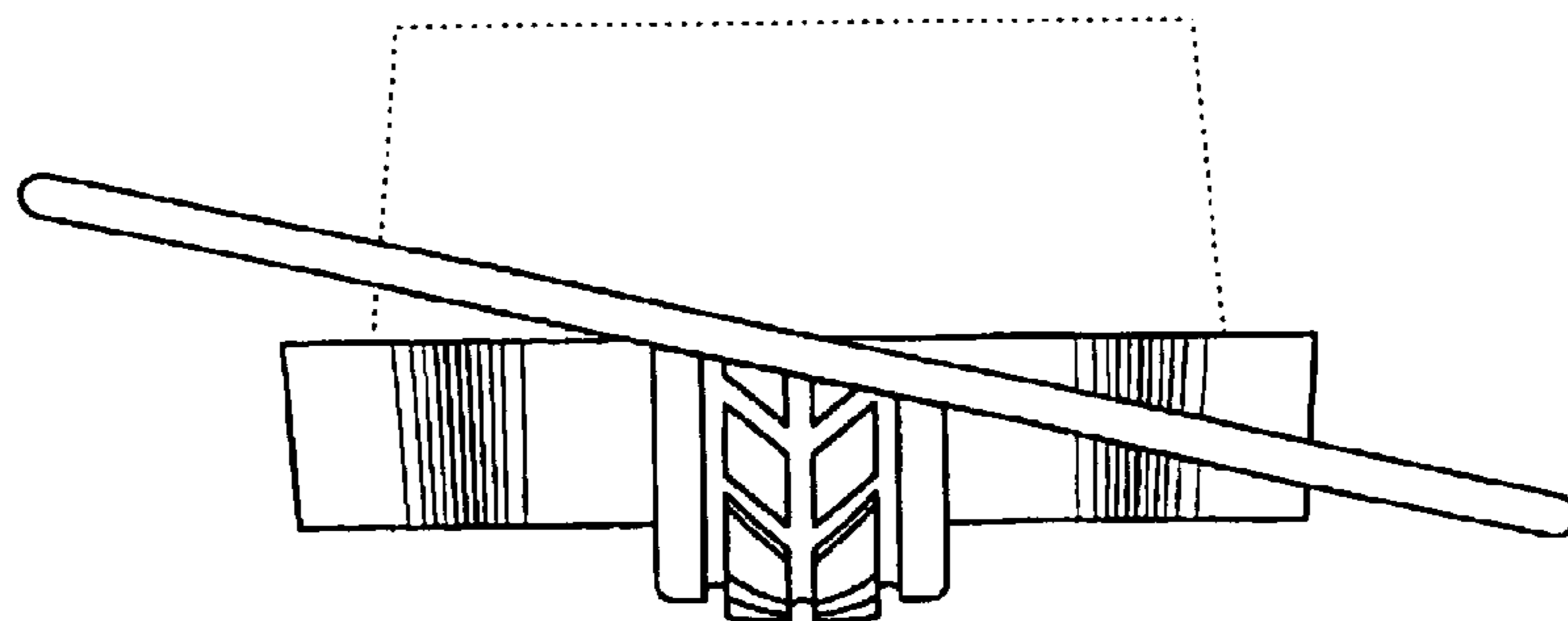


Fig.7