

US00D509293S

(12) **United States Design Patent**  
**Rivera**

(10) **Patent No.:** **US D509,293 S**

(45) **Date of Patent:** **\*\* Sep. 6, 2005**

(54) **TOILET BOWL EXTRACTION DEVICE**

(76) **Inventor:** **John R. Rivera**, 170 Old Thaxton Rd.,  
Jenkinsburg, GA (US) 30234

(\*\*) **Term:** **14 Years**

(21) **Appl. No.:** **29/202,471**

(22) **Filed:** **Mar. 31, 2004**

(51) **LOC (8) Cl.** ..... **23-04**

(52) **U.S. Cl.** ..... **D23/368**

(58) **Field of Search** ..... 239/135, 136,  
239/58; 261/DIG. 17, DIG. 65; D23/356-369,  
295, 303; 392/390, 392; 4/222, 420

(56) **References Cited**

**U.S. PATENT DOCUMENTS**

3,763,505	A	*	10/1973	Zimmerman	.....	4/213
3,953,901	A	*	5/1976	Poister et al.	.....	4/213
4,137,577	A	*	2/1979	Maxfield	.....	4/231
D254,089	S	*	1/1980	Berry	.....	D23/309
D350,186	S	*	8/1994	Cook	.....	D23/309
5,491,847	A		2/1996	Shaffer		
5,522,093	A		6/1996	Schaffer		
5,530,971	A		7/1996	Anderson		
5,819,324	A		10/1998	Bianco		
5,996,131	A		12/1999	Vallair		
D437,403	S	*	2/2001	Liou	.....	D23/366
6,351,855	B1	*	3/2002	Allen	.....	4/213
6,363,542	B1		4/2002	Pope		
6,463,595	B2		10/2002	Prisco et al.		

6,499,150	B1		12/2002	Thompson		
6,550,072	B1		4/2003	Ware		
6,553,581	B1		4/2003	Lee		
6,567,994	B1	*	5/2003	Spurr et al.	.....	4/217
D480,790	S	*	10/2003	Lebrun, Sr.	.....	D23/311
6,678,900	B2		1/2004	Ware		

\* cited by examiner

*Primary Examiner*—Antoine Duval Davis

*Assistant Examiner*—Sandra Snapp

(74) *Attorney, Agent, or Firm*—Joseph G. Mitchell, Esq.

(57) **CLAIM**

The ornamental design for a toilet bowl extraction device, as shown and described.

**DESCRIPTION**

FIG. 1 is a front and right side perspective view of the toilet bowl extraction device showing the new design;

FIG. 2 is a top view from the front of the toilet bowl extraction device;

FIG. 3 is a top view from the rear of the toilet bowl extraction device;

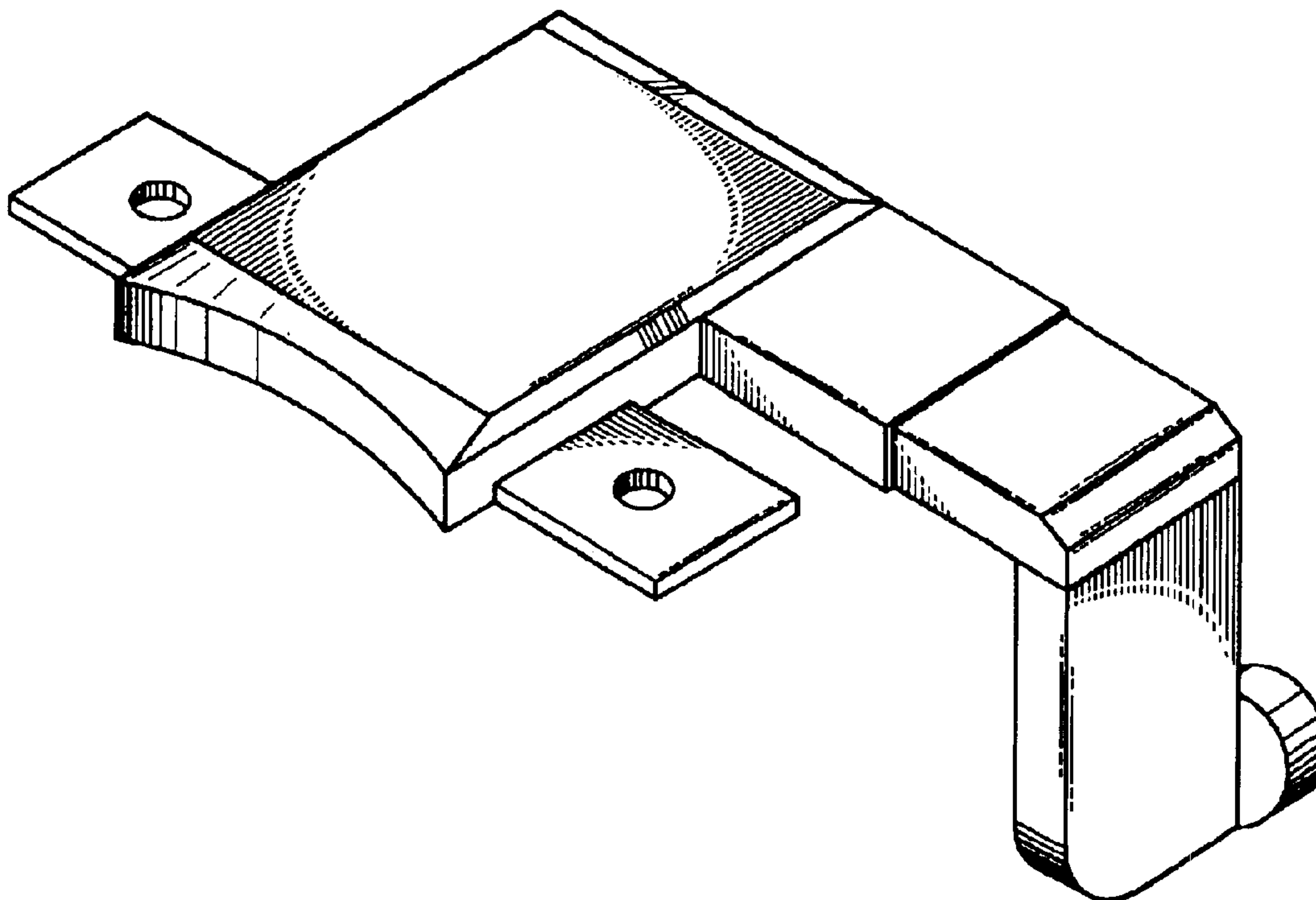
FIG. 4 is a right side view of the toilet bowl extraction device;

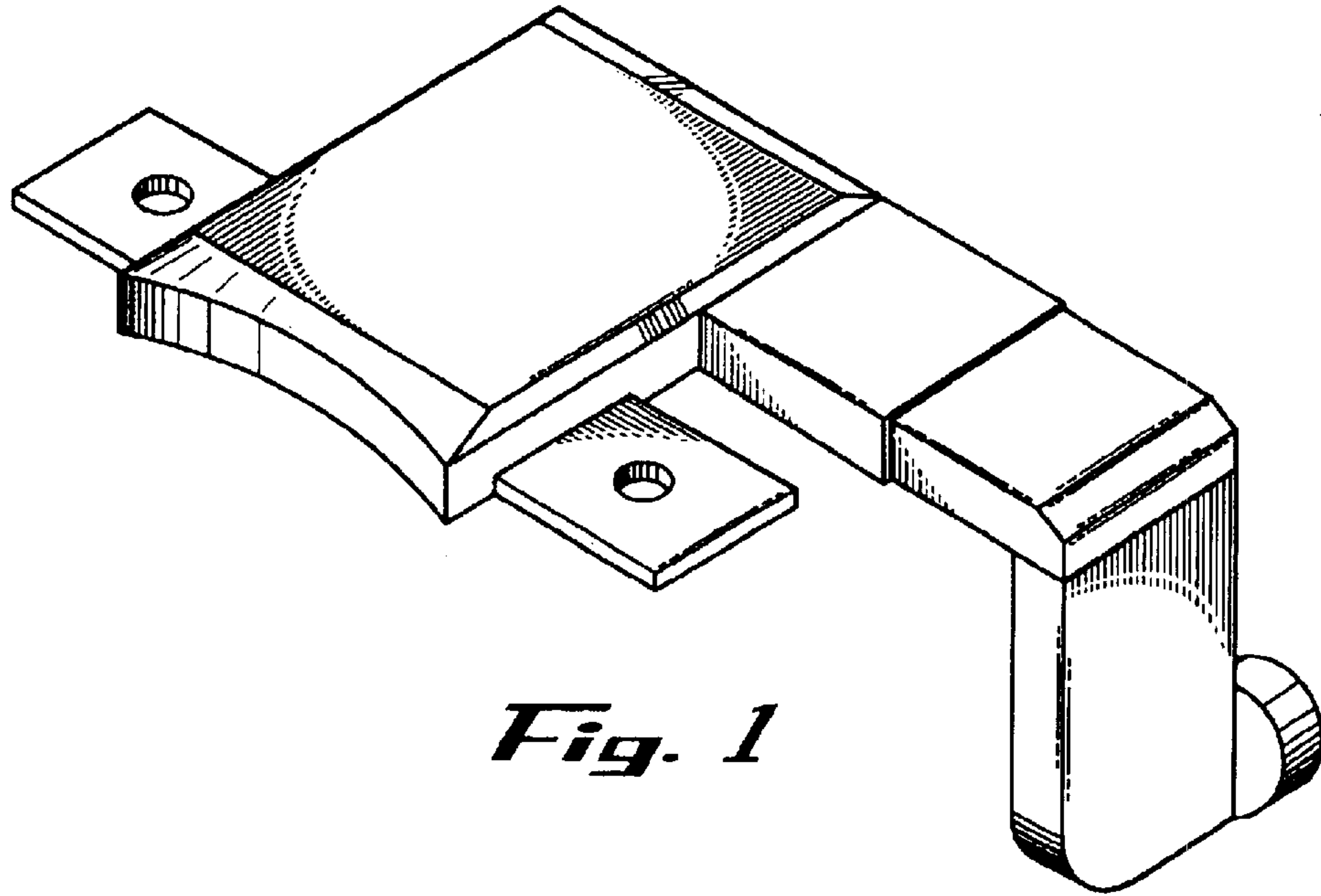
FIG. 5 is a left side view of the toilet bowl extraction device;

FIG. 6 is a front view of the toilet bowl extraction device; and,

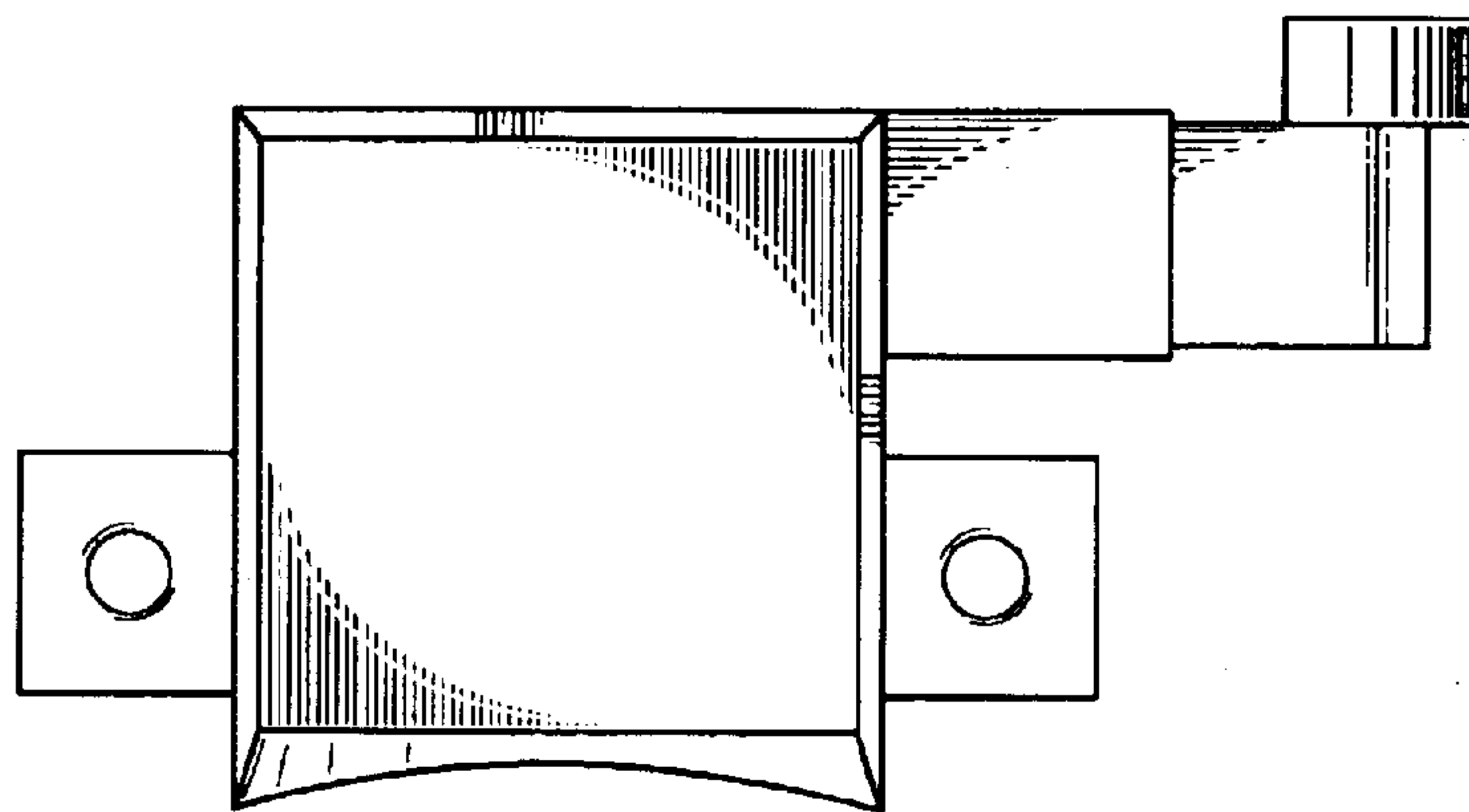
FIG. 7 is a rear view of the toilet bowl extraction device.

**1 Claim, 2 Drawing Sheets**





*Fig. 1*



*Fig. 2*

