

US00D509292S

(12) **United States Design Patent**
Gatchell et al.

(10) **Patent No.: US D509,292 S**
(45) **Date of Patent: ** Sep. 6, 2005**

(54) **AIR CLEANER**

D417,911 S * 12/1999 Jane' et al. D23/364
D450,111 S * 11/2001 Stanley et al. D23/364

(75) Inventors: **Stephen M. Gatchell**, Warwick, RI (US); **Paul E. Cox**, Haverhill, MA (US); **David L. Feer**, Framingham, MA (US)

* cited by examiner

Primary Examiner—Robin V. Taylor
(74) *Attorney, Agent, or Firm*—Darby & Darby

(73) Assignee: **Kaz, Inc.**, New York, NY (US)

(57) **CLAIM**

(**) Term: **14 Years**

The ornamental design for an air cleaner, as shown and described.

(21) Appl. No.: **29/183,990**

DESCRIPTION

(22) Filed: **Jun. 18, 2003**

FIG. 1 is a top left perspective view of our new design for an air cleaner;

(51) **LOC (8) Cl.** **23-04**

FIG. 2 is a front elevational view thereof;

(52) **U.S. Cl.** **D23/364**

FIG. 3 is a left side elevational view, with the right side elevational view being the mirror image thereof;

(58) **Field of Search** D23/356, 355, D23/364, 365, 359; 55/467, 471, 472, 356

FIG. 4 is a rear elevational view thereof;

FIG. 5 is a top plan view thereof; and,

FIG. 6 is a bottom plan view thereof.

(56) **References Cited**

The broken line showing in FIGS. 4 and 6 is for illustrative purposes only and forms no part of the claimed design.

U.S. PATENT DOCUMENTS

D393,704 S * 4/1998 Chiu et al. D23/364
D395,703 S * 6/1998 Jane et al. D23/364

1 Claim, 5 Drawing Sheets

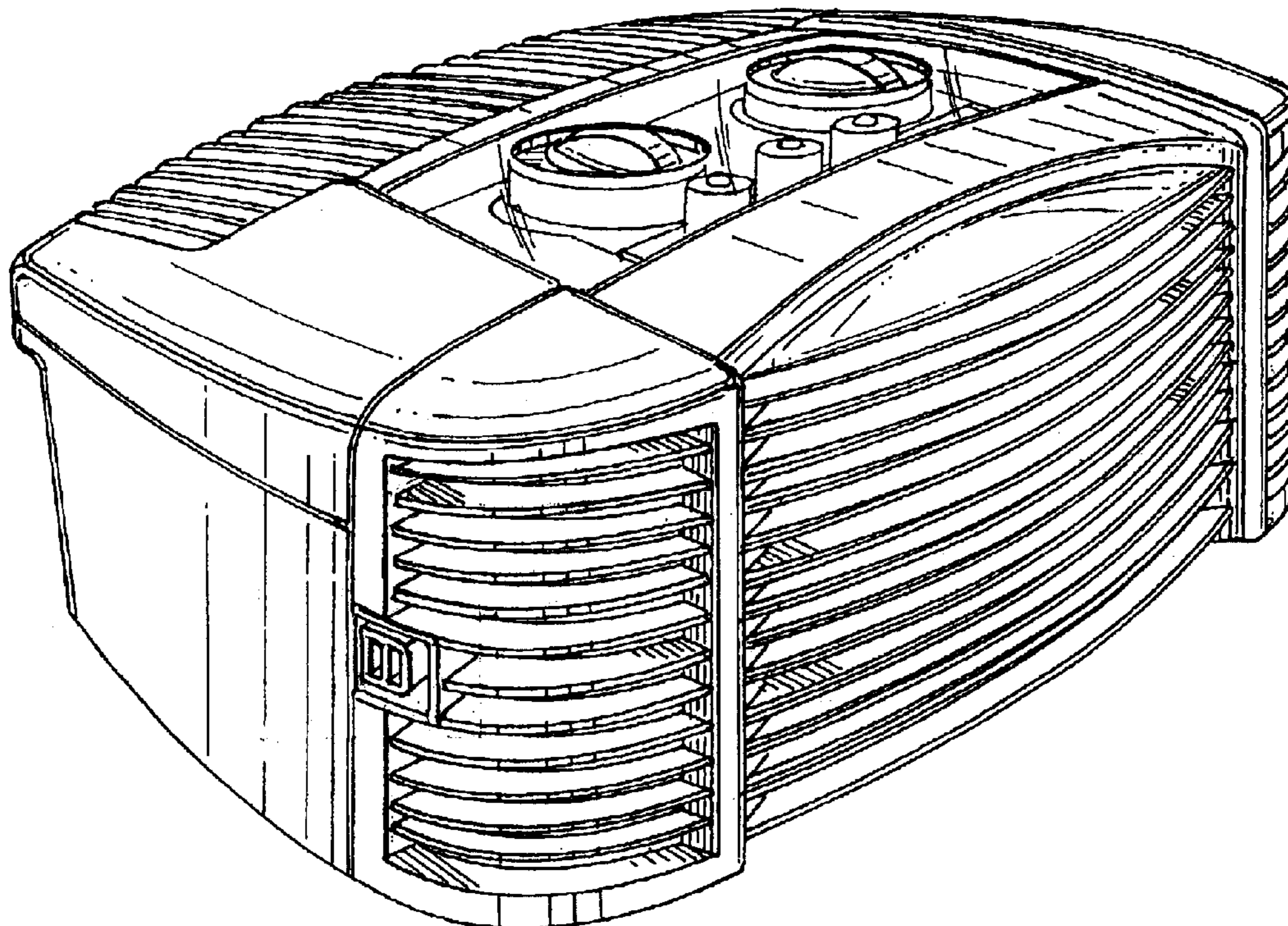


FIG. 1

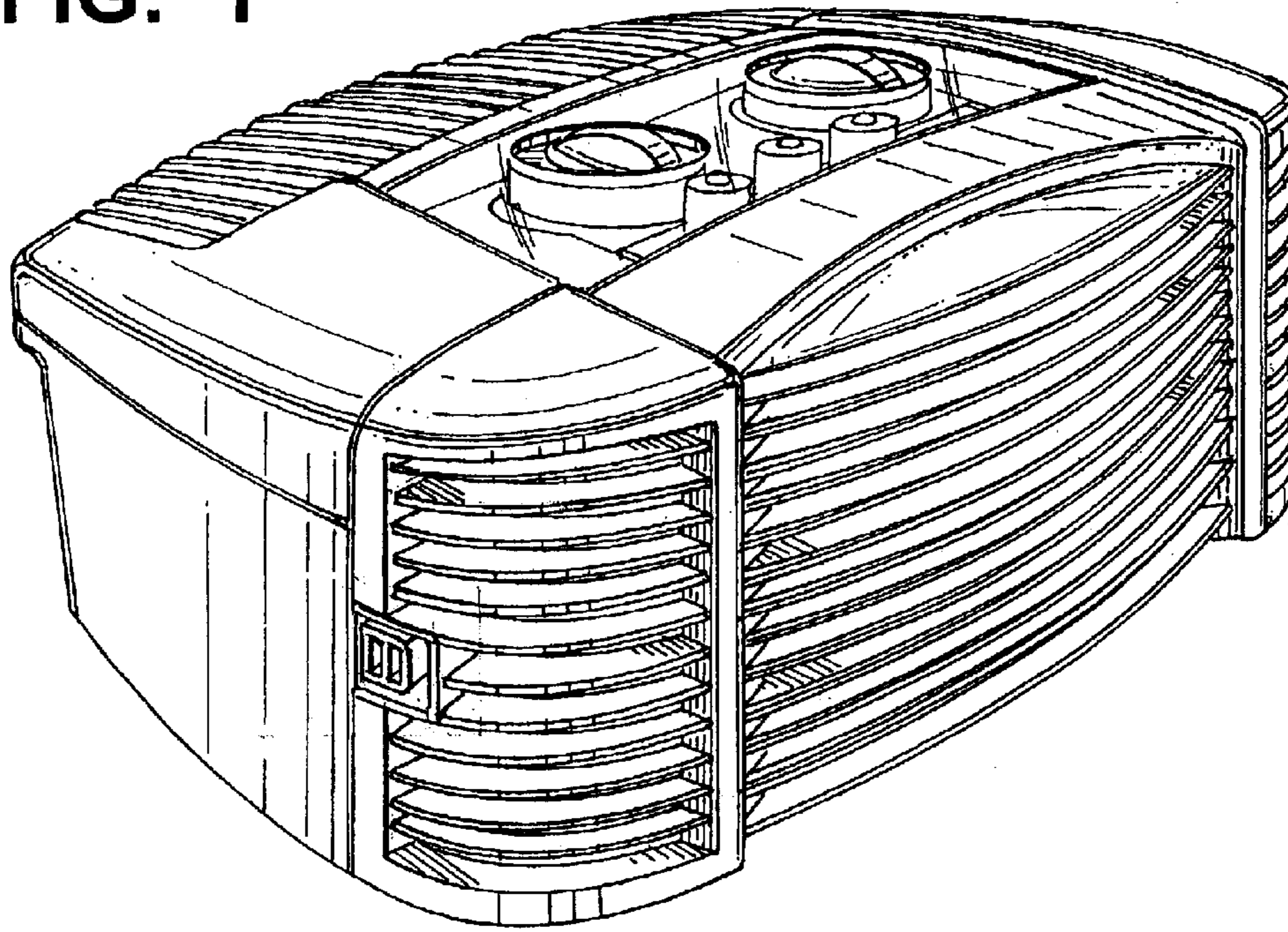


FIG. 3

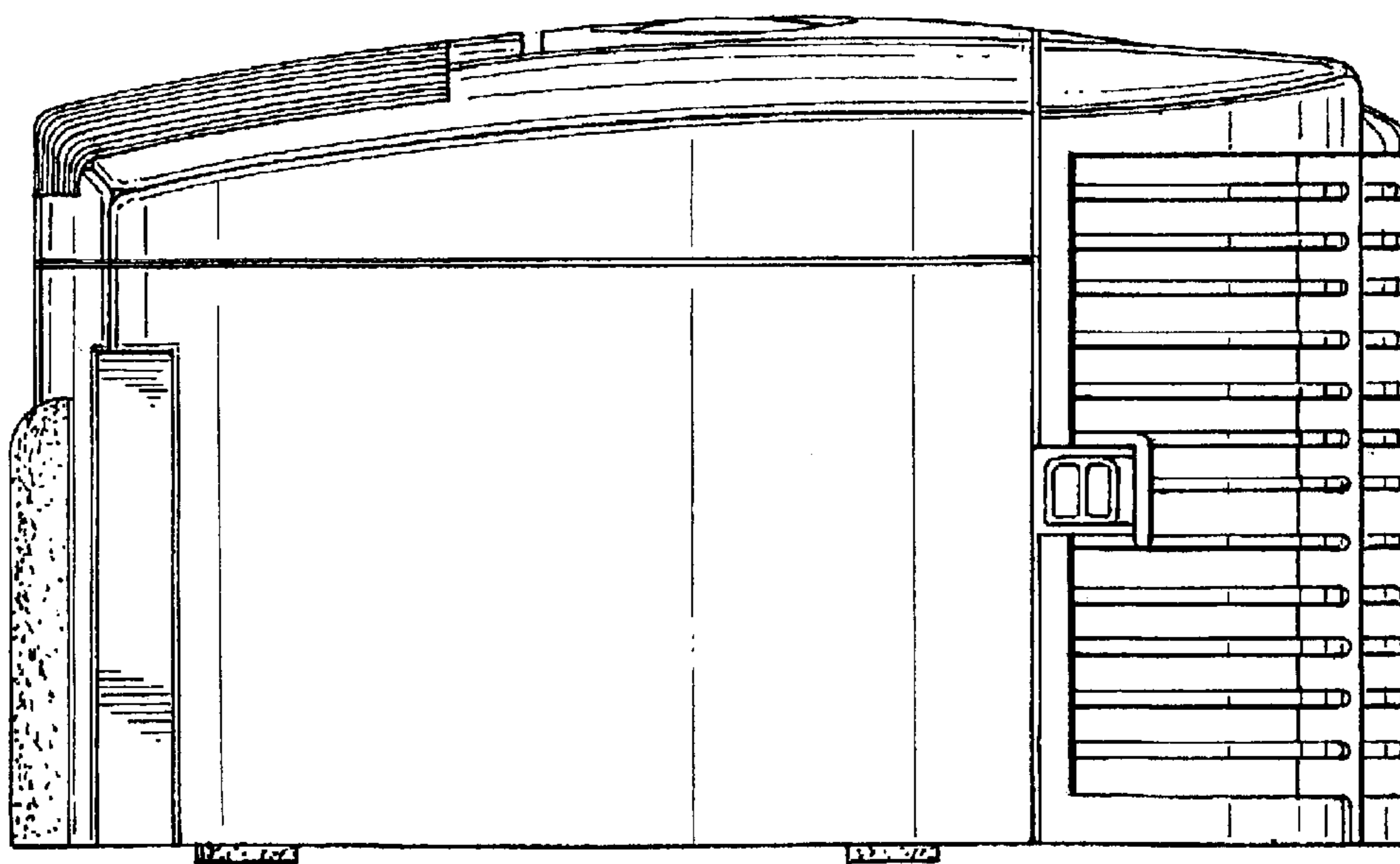


FIG. 2

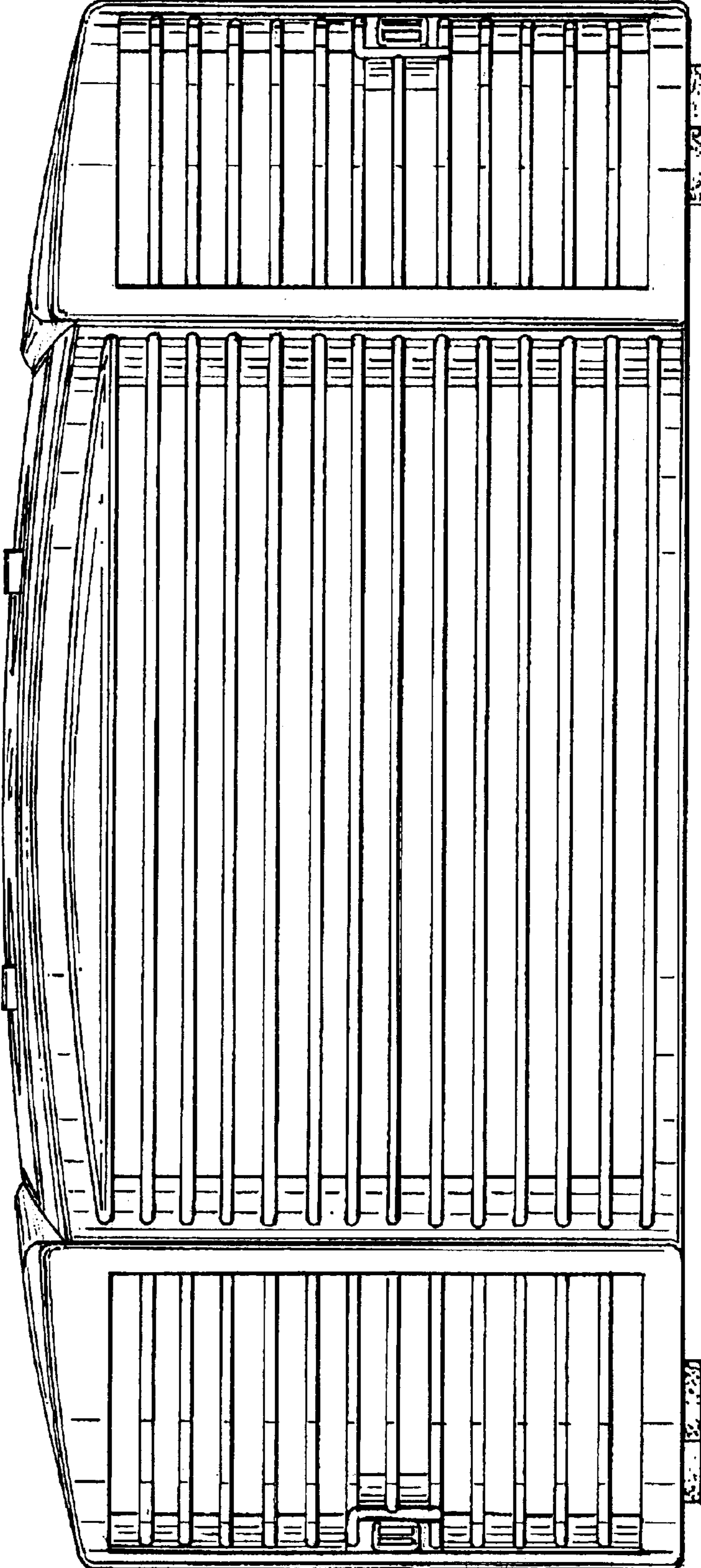


FIG. 4

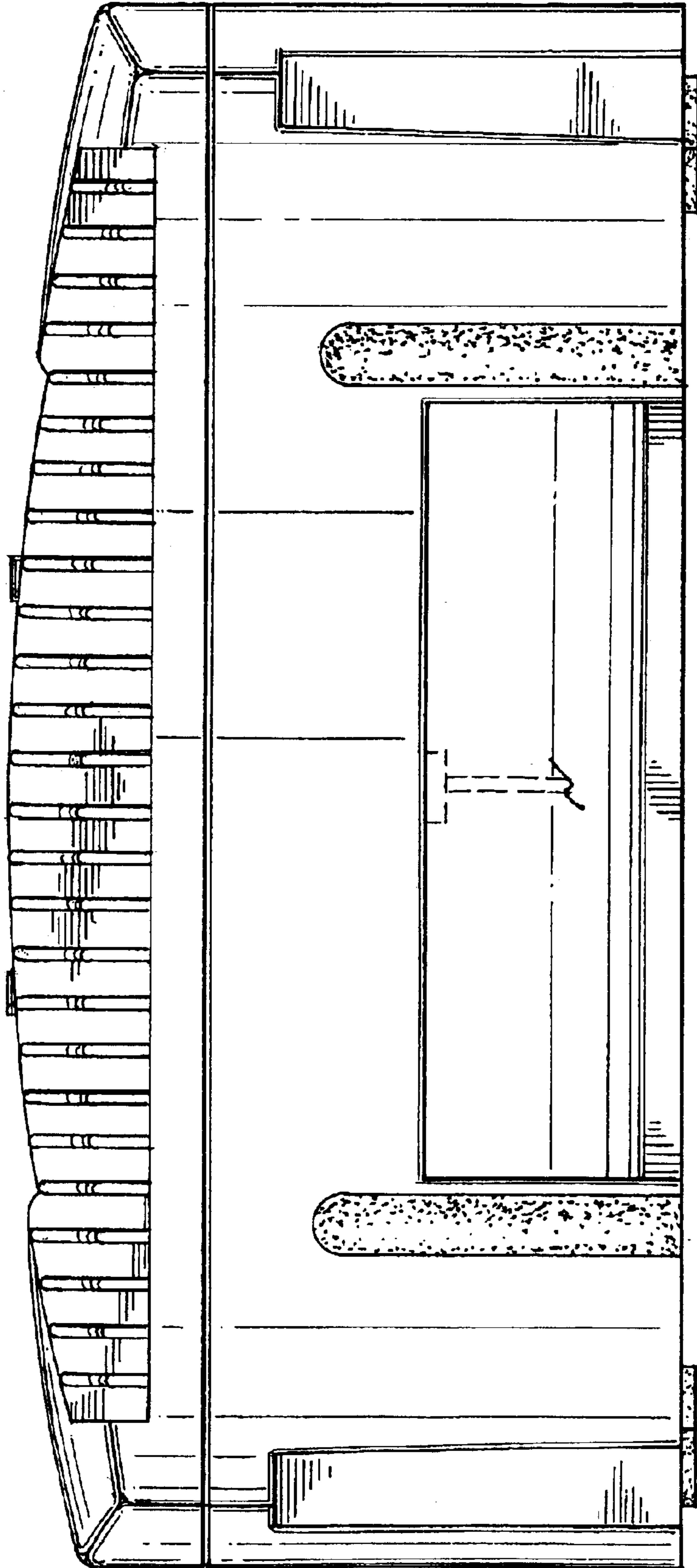


FIG. 5

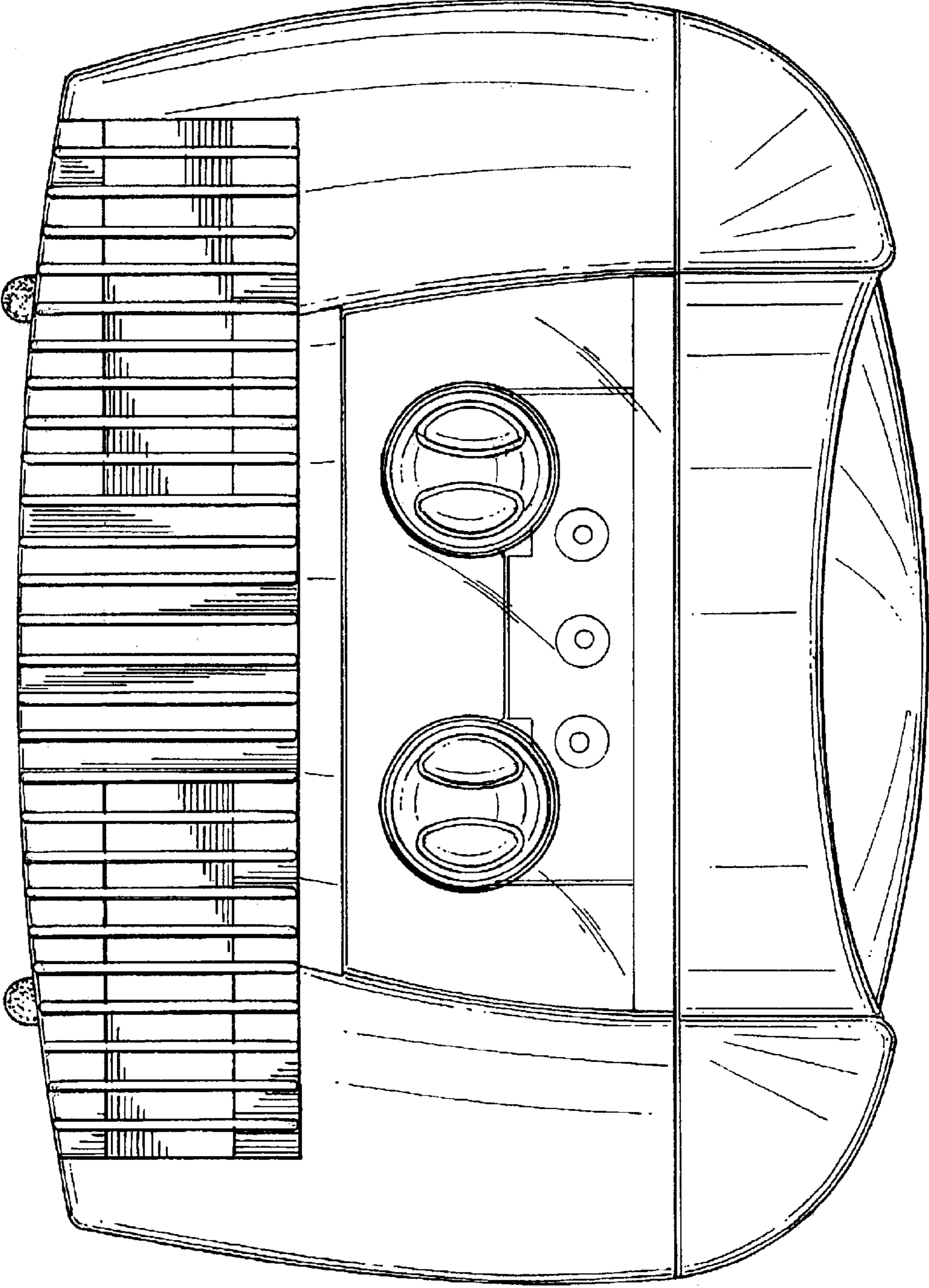


FIG. 6

