



US00D509288S

(12) **United States Design Patent** (10) **Patent No.:** **US D509,288 S**  
**Gordon** (45) **Date of Patent:** **\*\* Sep. 6, 2005**

(54) **WATER CLOSET**

Kohler catalog, Vessels Lavatories 14.3, "Crucible", no date.

(75) Inventor: **William F. Gordon**, Sheboygan Falls, WI (US)

\* cited by examiner

(73) Assignee: **Kohler Co.**, Kohler, WI (US)

*Primary Examiner*—Robert A. Delehanty  
(74) *Attorney, Agent, or Firm*—Quarles & Brady LLP

(\*\*) Term: **14 Years**

(57) **CLAIM**

(21) Appl. No.: **29/209,290**

The ornamental design for a water closet, as shown and described.

(22) Filed: **Jul. 14, 2004**

(51) **LOC (8) Cl.** ..... **23-02**

(52) **U.S. Cl.** ..... **D23/295**

(58) **Field of Search** ..... D23/270, 273–274,  
D23/295–299, 301, 303, 309; 4/663–664,  
300, 329, 420, 661, 443–444, 449, 459,  
460, 905, DIG. 12, DIG. 15

**DESCRIPTION**

(56) **References Cited**

**U.S. PATENT DOCUMENTS**

D222,060 S	*	9/1971	Quintana	.....	D23/299
4,692,951 A	*	9/1987	Taki et al.	.....	4/664
D385,021 S		10/1997	White		
5,781,939 A	*	7/1998	Bledsoe	.....	4/449
D444,217 S		6/2001	McMahon et al.		
D465,562 S		11/2002	Moore		
D501,916 S	*	2/2005	Kakahana	.....	D23/301

**OTHER PUBLICATIONS**

Duravit, "Starck 1", no date.  
Kohler catalog, p. 25, "Presqu'île", no date.  
Ceramiche Senesi catalog, "Linea Brunello", Nasce cosi, no date.

In a preferred embodiment, the nature of this product is a plumbing fixture which is primarily useful for receiving the liquid and solid waste of humans.

FIG. 1 is a left, top, front perspective view of a water closet embodying my new design;

FIG. 2 is a top plan view thereof;

FIG. 3 is a front elevational view thereof;

FIG. 4 is a left side elevational view thereof, the right side elevational view being a mirror image of the left side shown;

FIG. 5 is a rear elevational view thereof; and,

FIG. 6 is bottom plan view thereof.

The broken line representations of openings and recesses in FIGS. 1–2 and 4–6 and underside features in FIG. 6 are for the purpose of illustration only, and form no part of the claimed design.

**1 Claim, 2 Drawing Sheets**

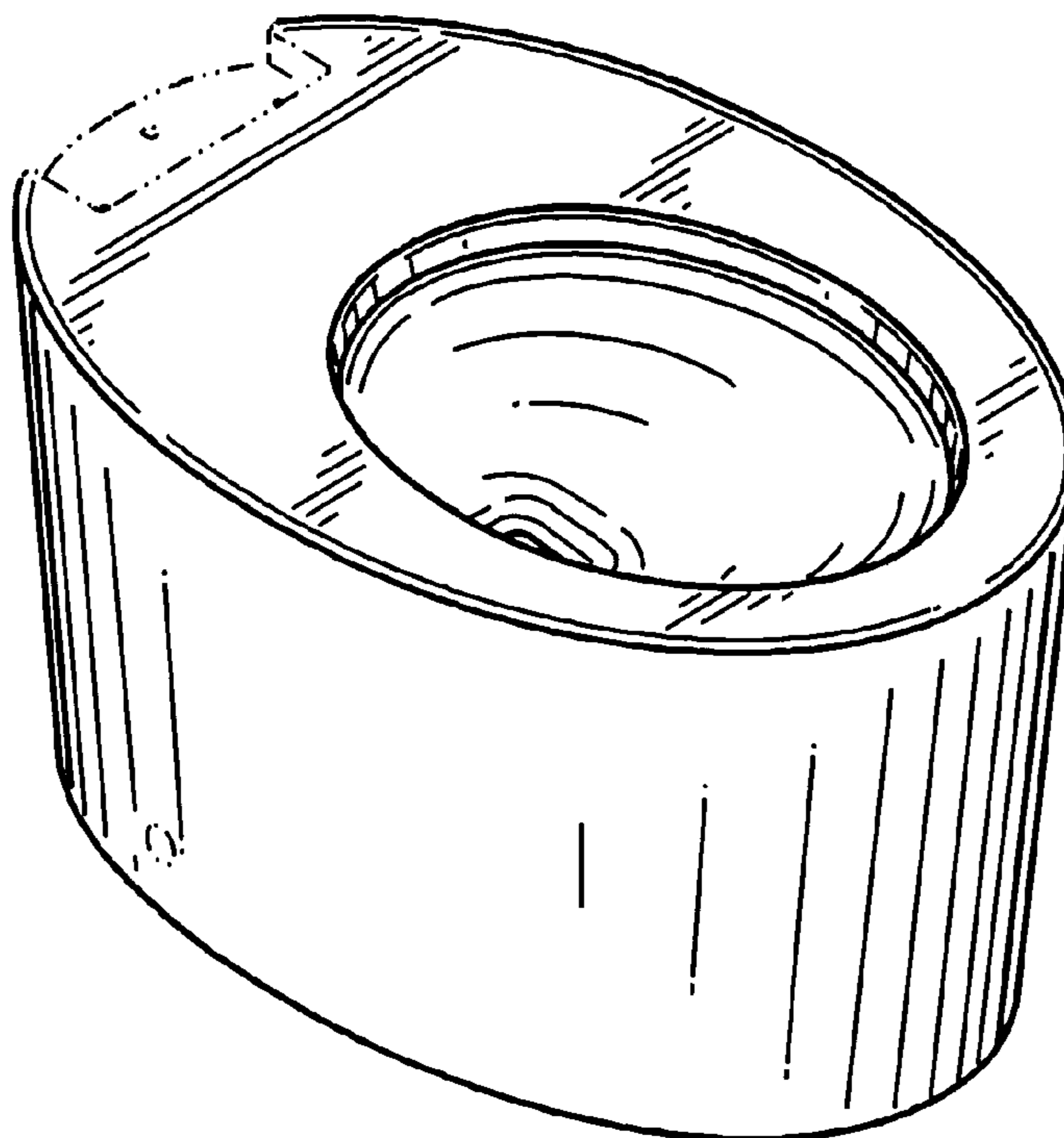


FIG. 1

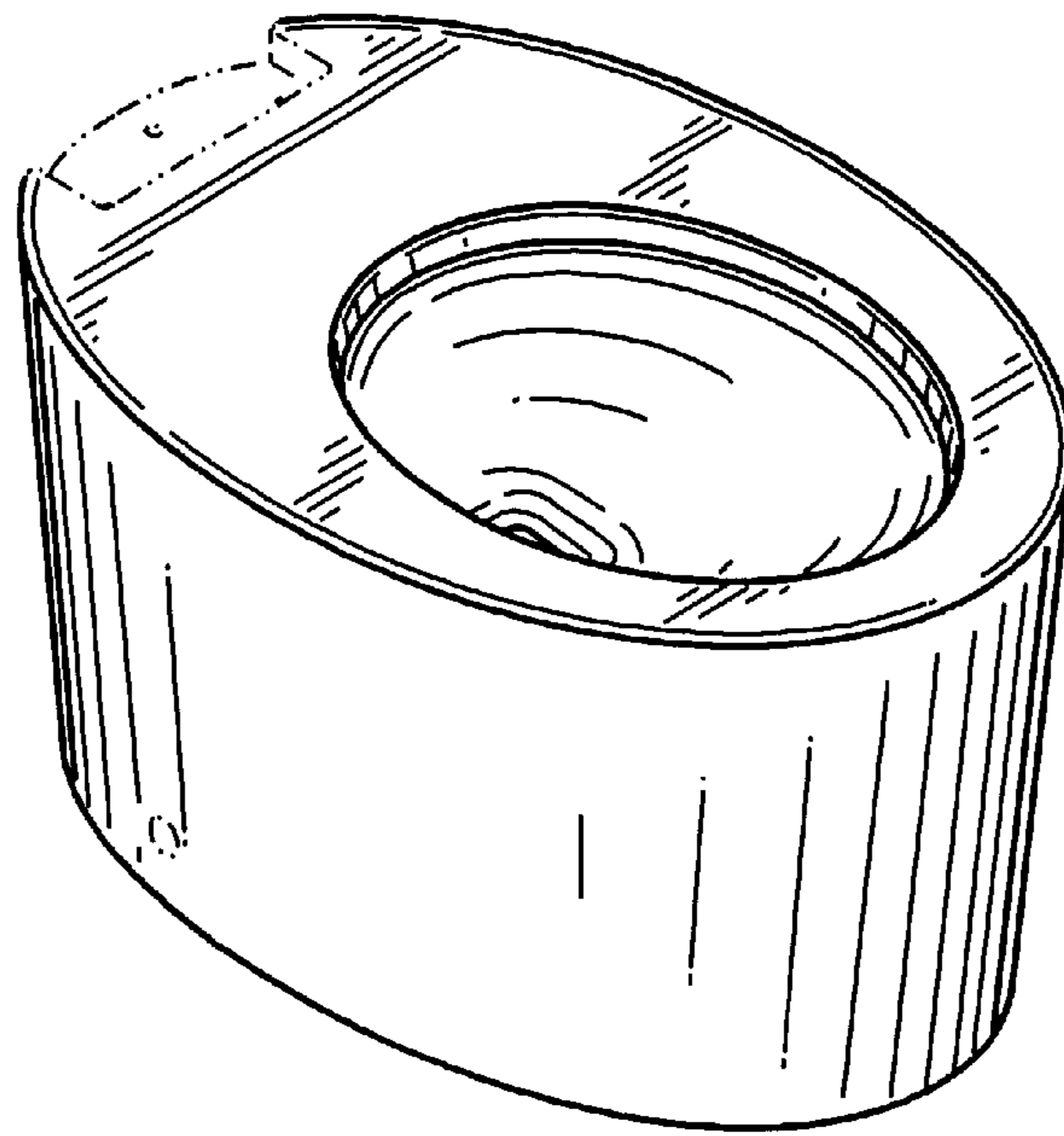


FIG. 2

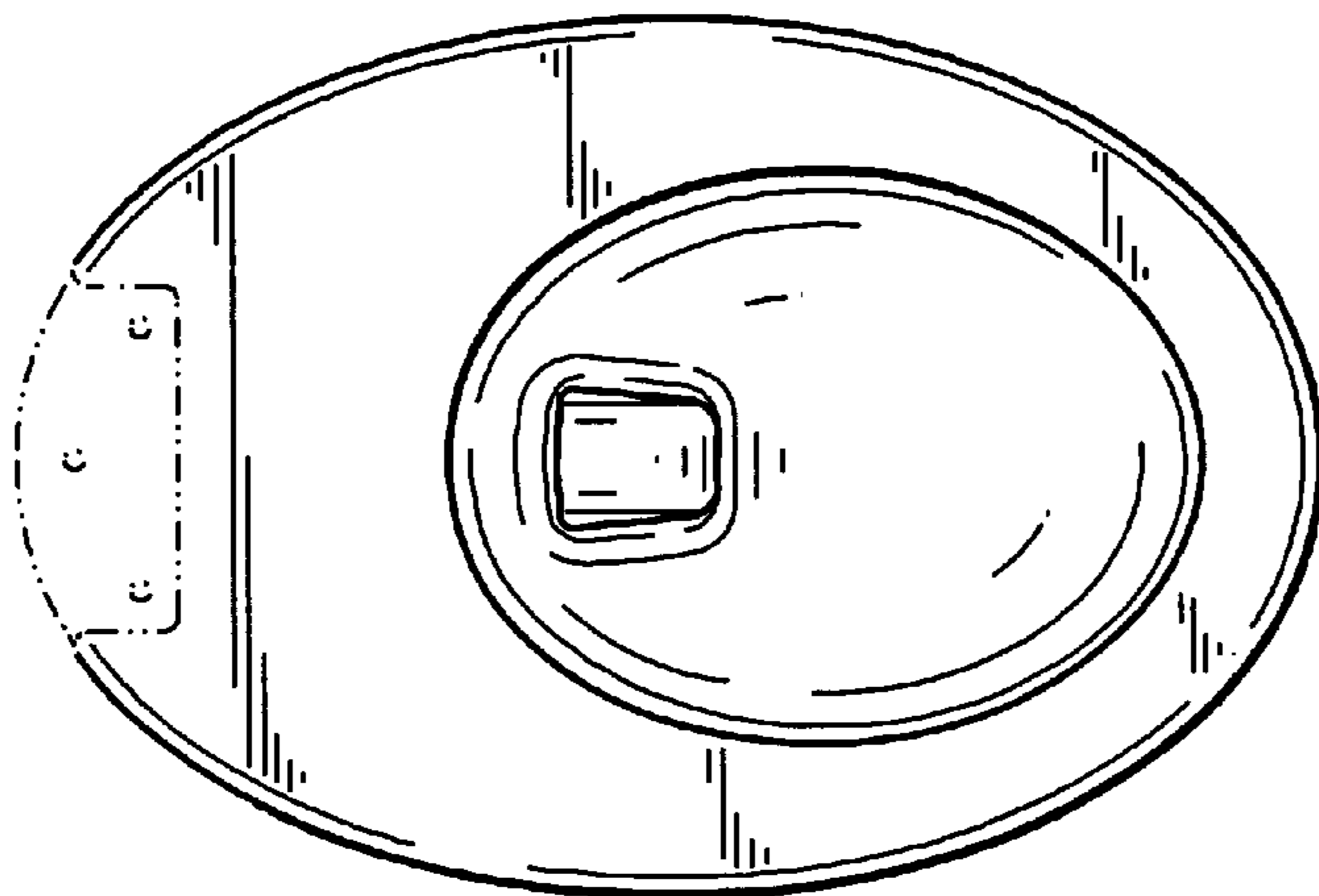


FIG. 3

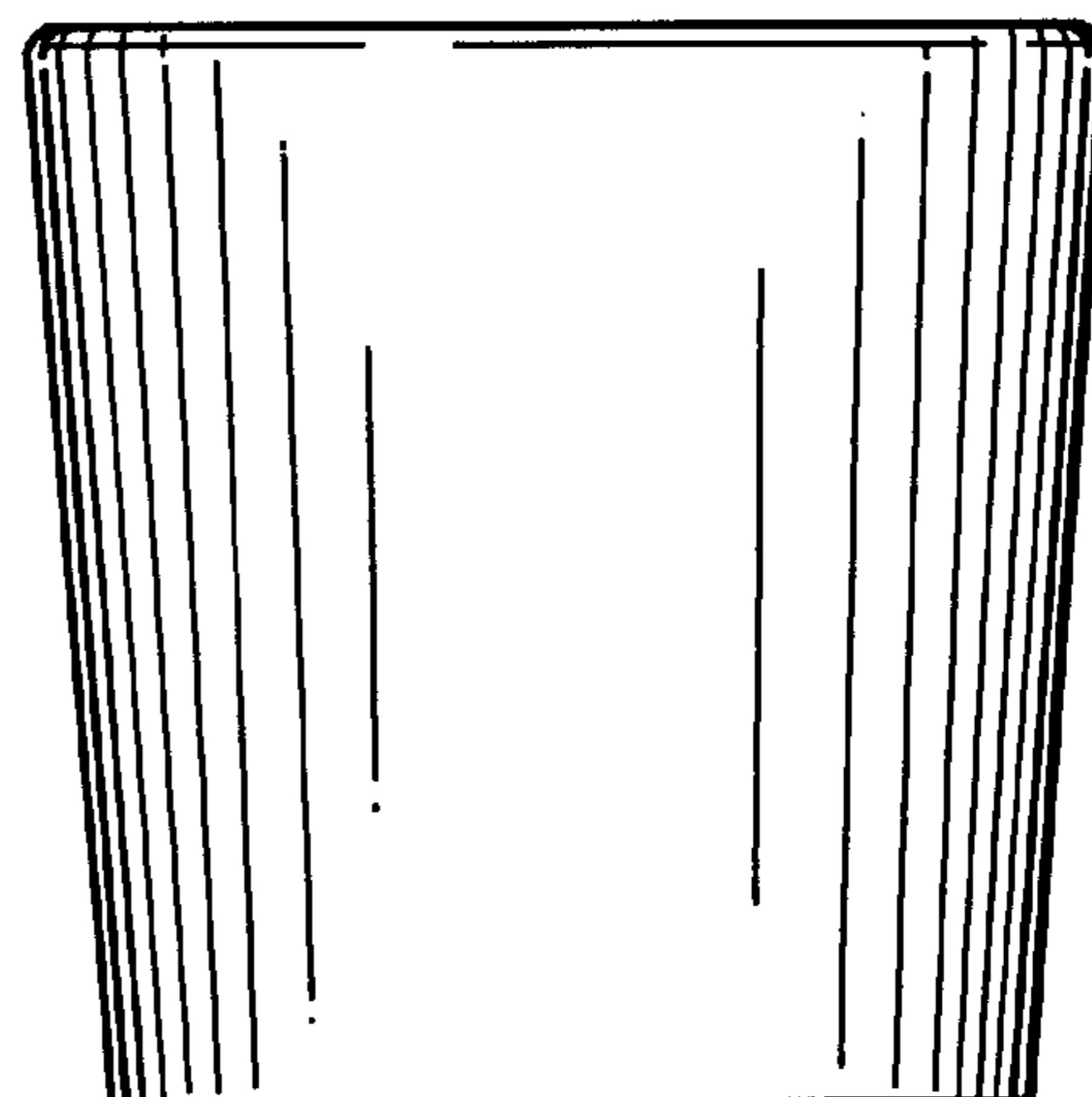


FIG. 4

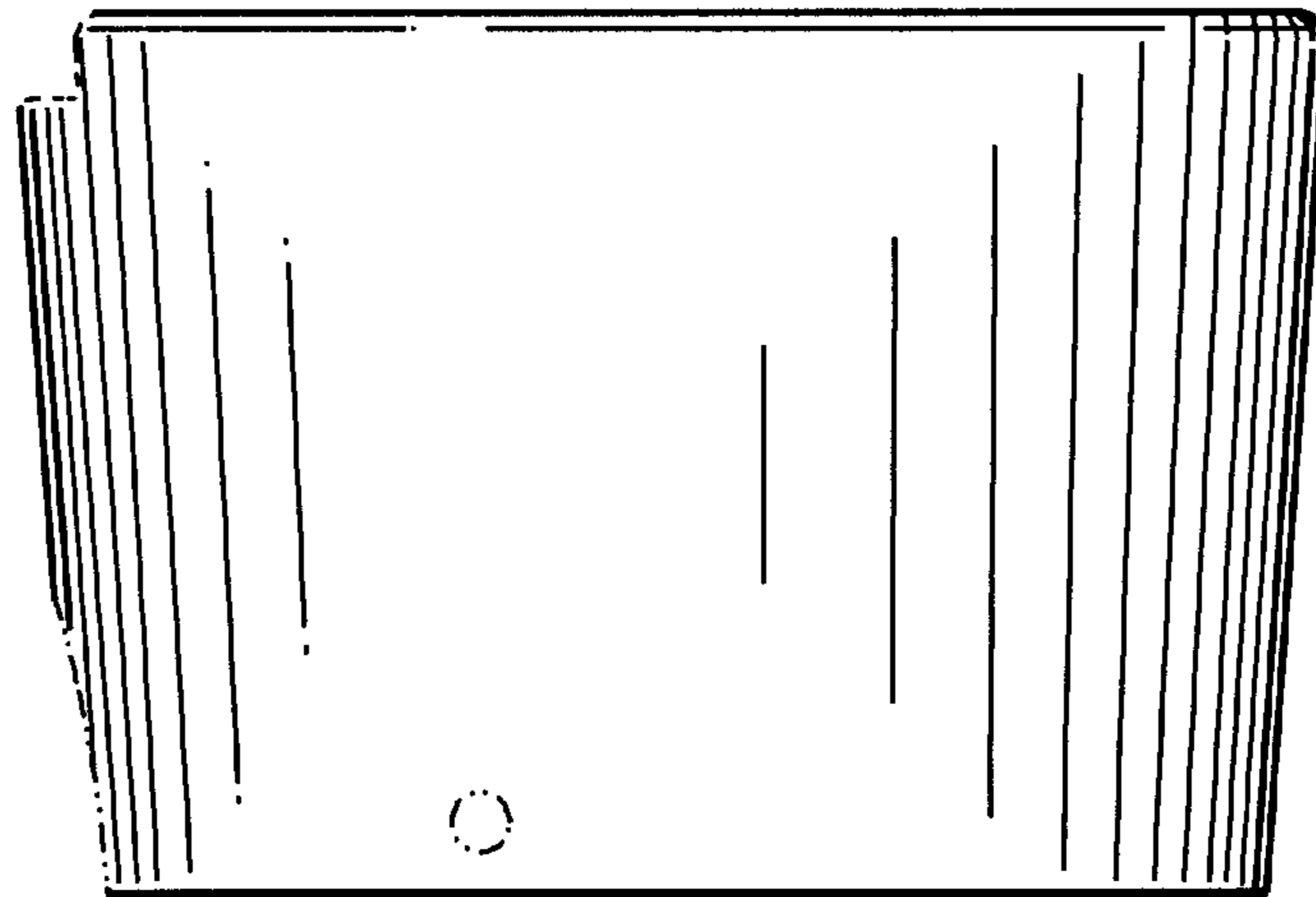


FIG. 5

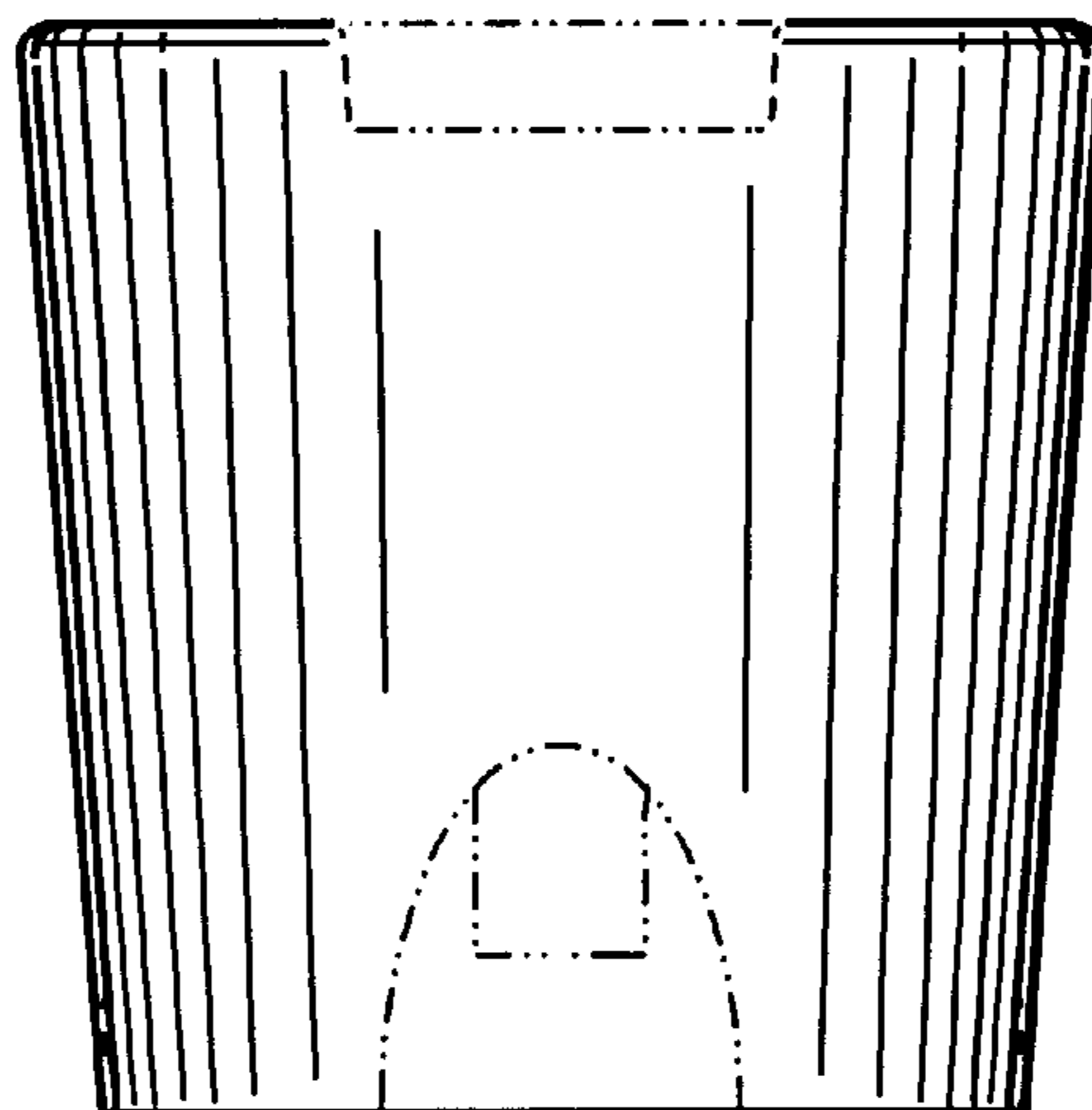


FIG. 6

