



US00D509285S

(12) **United States Design Patent**
Blattner et al.

(10) **Patent No.:** **US D509,285 S**
(45) **Date of Patent:** **** Sep. 6, 2005**

(54) **GRIP FOR A SANITARY FAUCET**

(75) Inventors: **Joachim Blattner**, Haslach (DE); **Chris Marshall**, Cumming, GA (US)

(73) Assignee: **Hansgrohe AG**, Schiltach (DE)

(**) Term: **14 Years**

(21) Appl. No.: **29/195,435**

(22) Filed: **Dec. 11, 2003**

(51) **LOC (8) Cl.** **23-01**

(52) **U.S. Cl.** **D23/250; D23/252**

(58) **Field of Search** **D23/238-243, D23/245, 250-257; D8/300-322, 350-353, DIG. 3; 16/110.1; 4/675-678; 137/801**

(56) **References Cited**

U.S. PATENT DOCUMENTS

- D321,630 S * 11/1991 Hollinger D7/679
- D458,344 S * 6/2002 Mullenmeister D23/250
- D477,386 S * 7/2003 Schonherr et al. D23/250

OTHER PUBLICATIONS

Brochure by American Standard, one page, 2003.
Catalog entitled "Paul Classics", two pages, 2003.

* cited by examiner

Primary Examiner—Louis S. Zarfes
Assistant Examiner—Gregory Andoll

(74) *Attorney, Agent, or Firm*—Duane Morris LLP

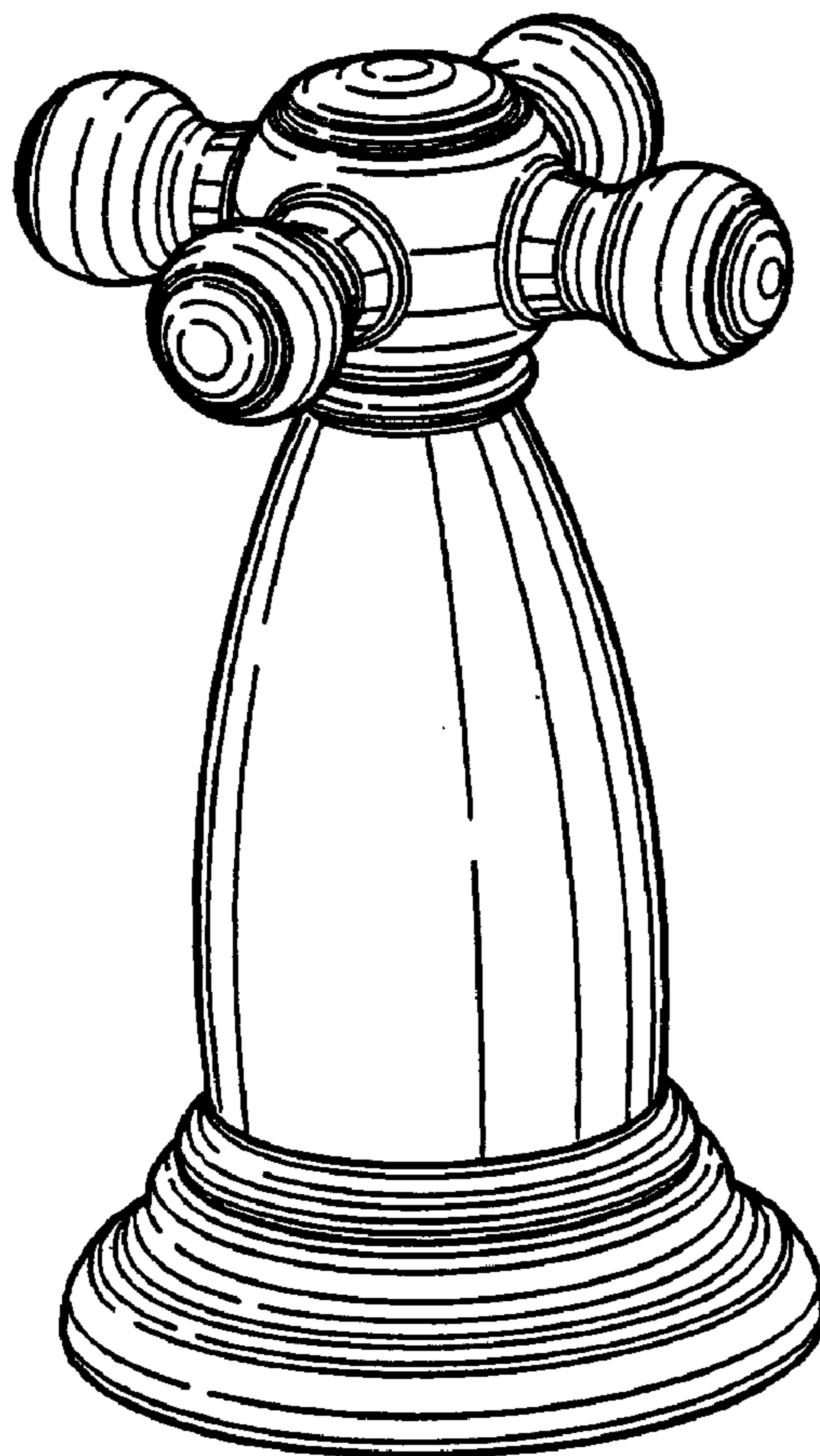
(57) **CLAIM**

The ornamental design for a grip for a sanitary faucet, as shown and described.

DESCRIPTION

FIG. 1 : is a side perspective view of the grip for a sanitary faucet showing our new design;
FIG. 2 : is a side elevation view thereof (the opposite side, front and rear elevation view being a mirror image); and,
FIG. 3 : is a top plan view thereof.

1 Claim, 1 Drawing Sheet



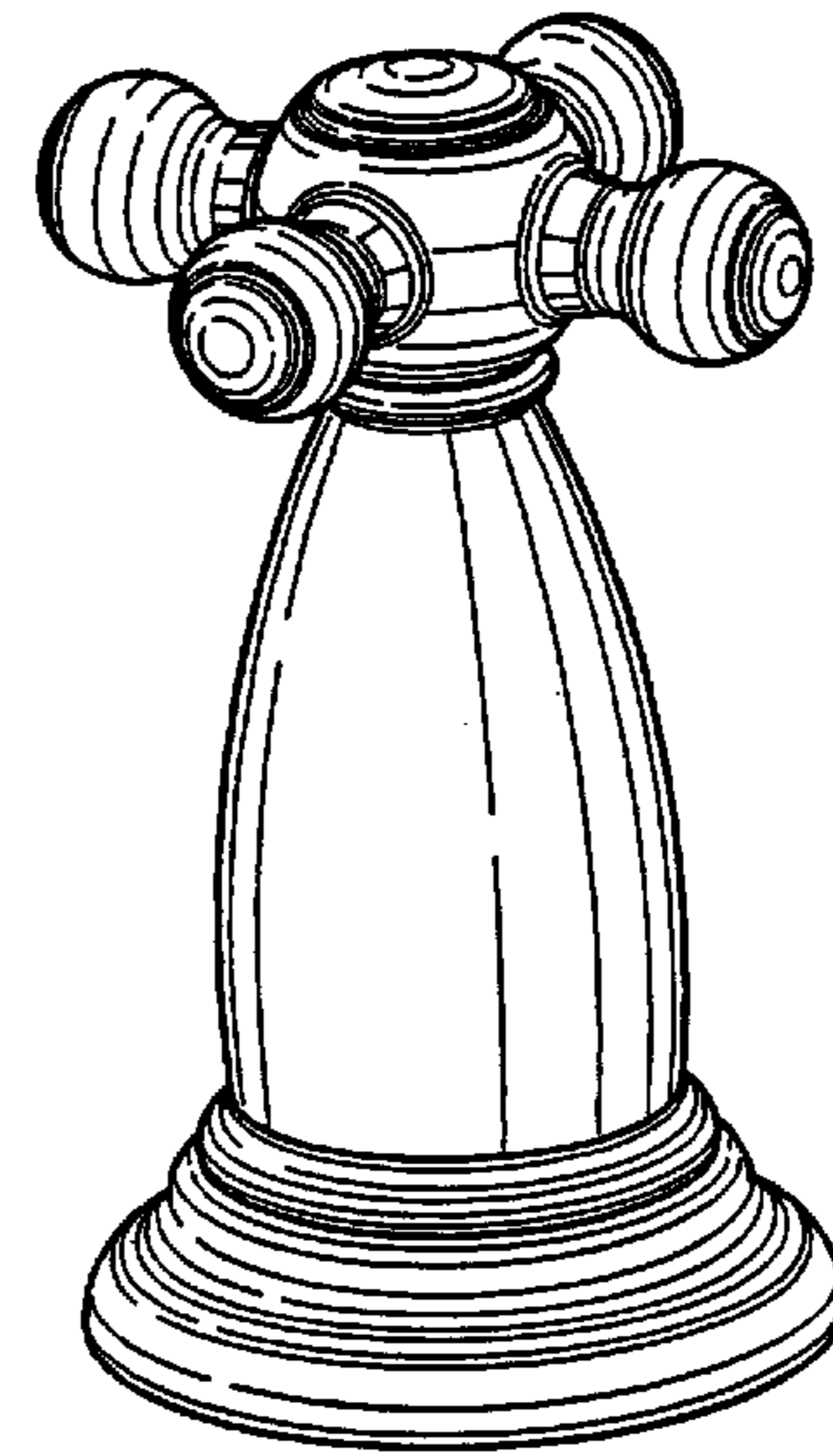


FIG. 1

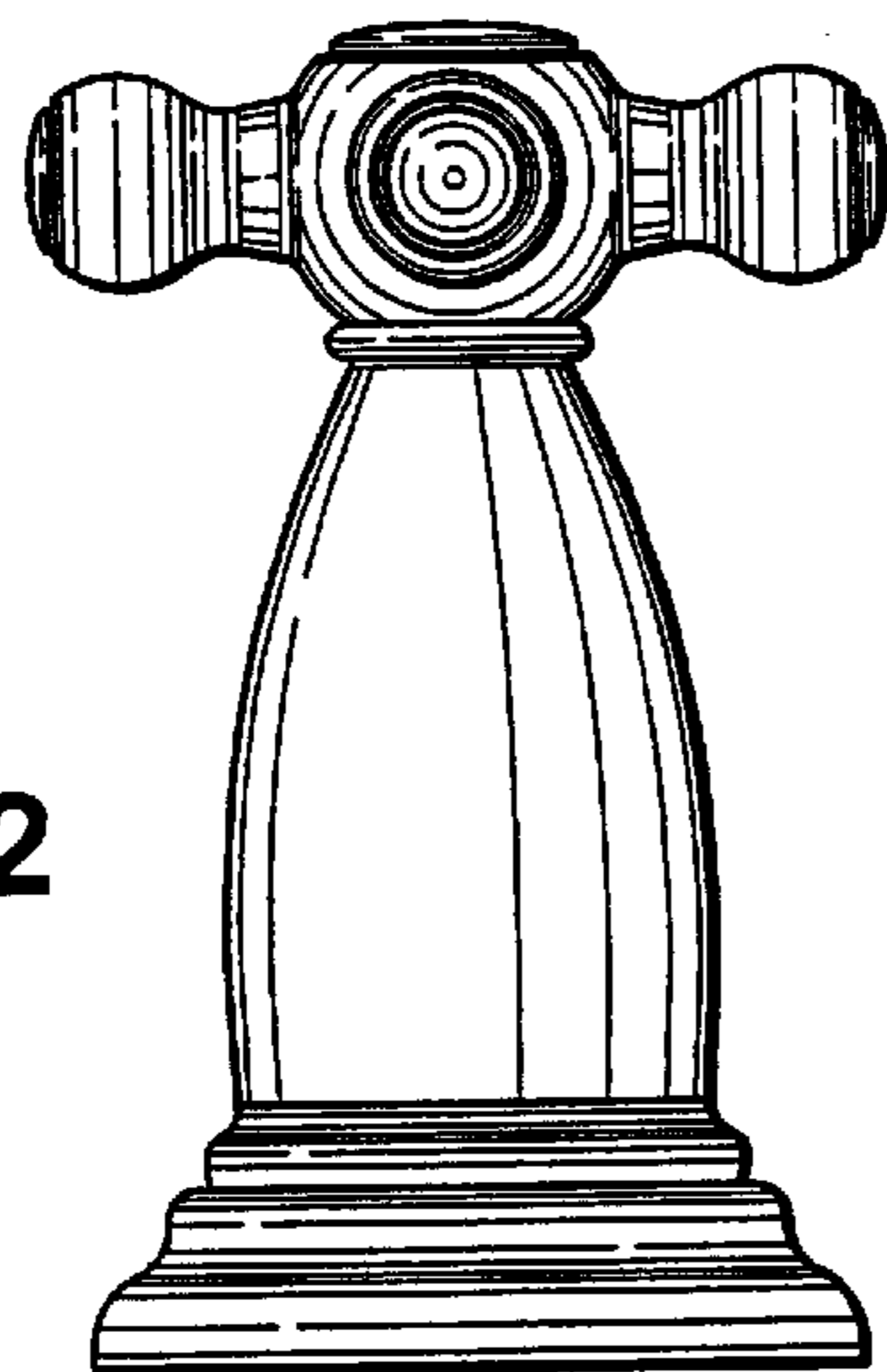


FIG. 2

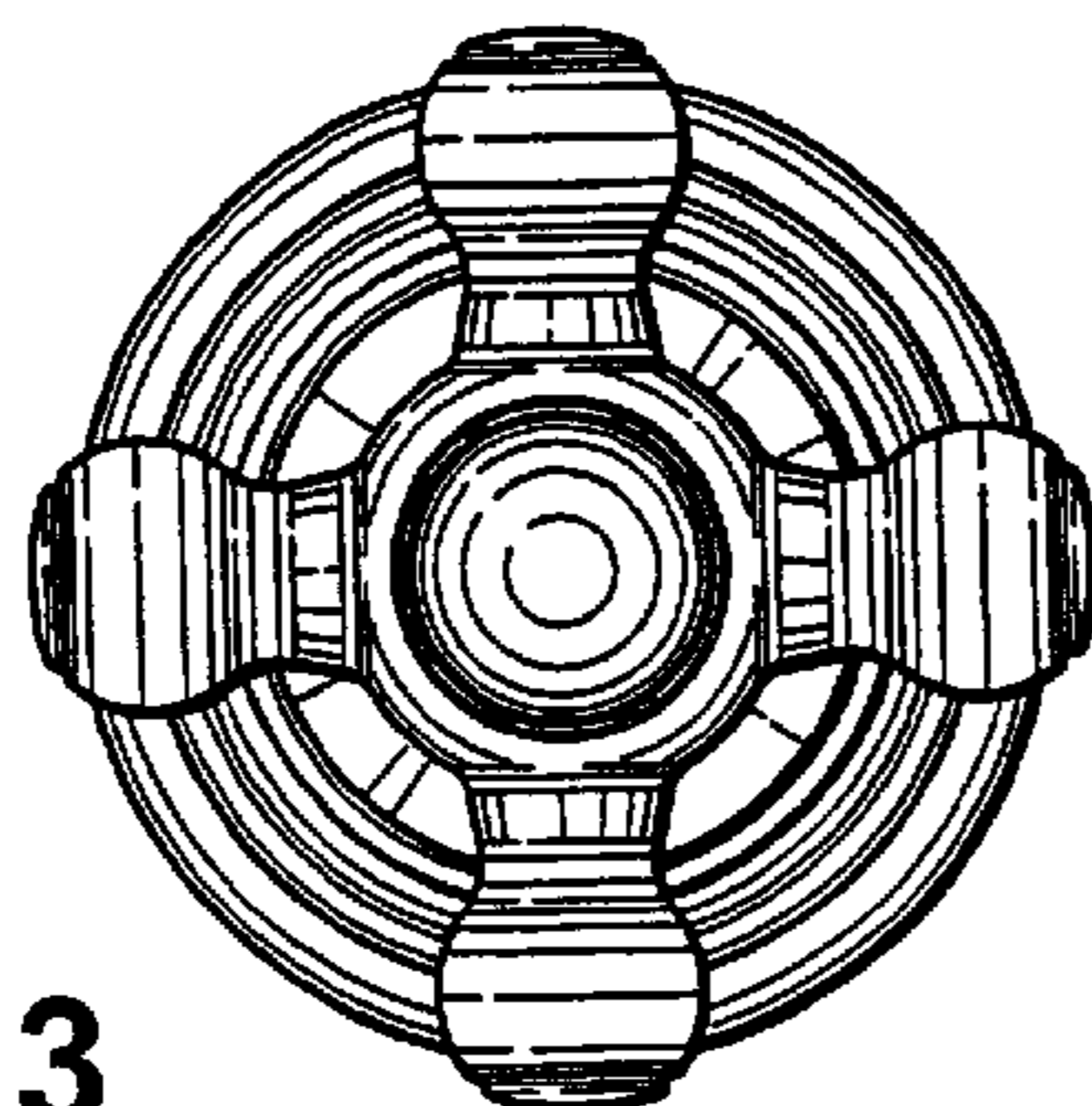


FIG. 3