

US00D509284S

(12) **United States Design Patent**
Blattner et al.

(10) **Patent No.:** **US D509,284 S**
(45) **Date of Patent:** **** Sep. 6, 2005**

(54) **SANITARY FAUCET**

(75) Inventors: **Joachim Blattner**, Haslach (DE); **Chris Marshall**, Cumming, GA (US)

(73) Assignee: **Hansgrohe AG**, Schiltach (DE)

(**) Term: **14 Years**

(21) Appl. No.: **29/195,432**

(22) Filed: **Dec. 11, 2003**

(51) **LOC (8) Cl.** **23-01**

(52) **U.S. Cl.** **D23/238**

(58) **Field of Search** **D23/238-257;**
4/675-687; 137/807, 615

(56) **References Cited**

U.S. PATENT DOCUMENTS

D465,010 S	*	10/2002	Lord	D23/255
D474,834 S	*	5/2003	Czerwinski et al.	D23/255
D477,653 S	*	7/2003	Neufeld et al.	D23/238
D487,499 S	*	3/2004	Zhao	D23/238

OTHER PUBLICATIONS

Catalog entitled "Paul Classics", 2 pages, 2003.
Catalog by DELTA, p. 5, 2002.

* cited by examiner

Primary Examiner—Louis S. Zarfaz

Assistant Examiner—Gregory Andoll

(74) *Attorney, Agent, or Firm*—Duane Morris LLP

(57) **CLAIM**

The ornamental design for a sanitary faucet, as shown and described.

DESCRIPTION

FIG. 1: is a side perspective view of the sanitary faucet showing our new design;

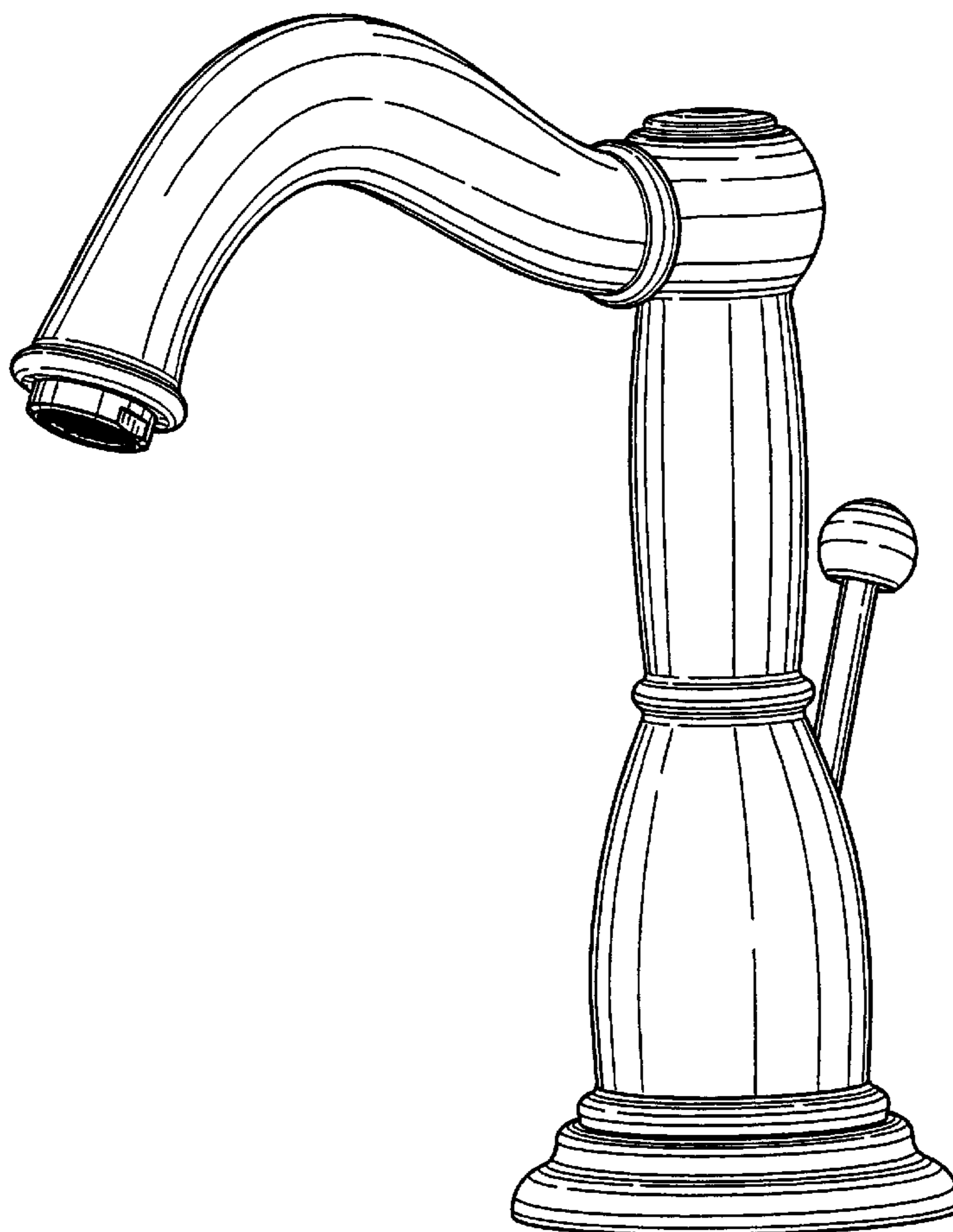
FIG. 2: is a top plan view thereof;

FIG. 3: is a side elevation view thereof (the opposite side being a mirror image);

FIG. 4: is a front elevation view thereof; and,

FIG. 5: is a rear elevation view thereof.

1 Claim, 3 Drawing Sheets



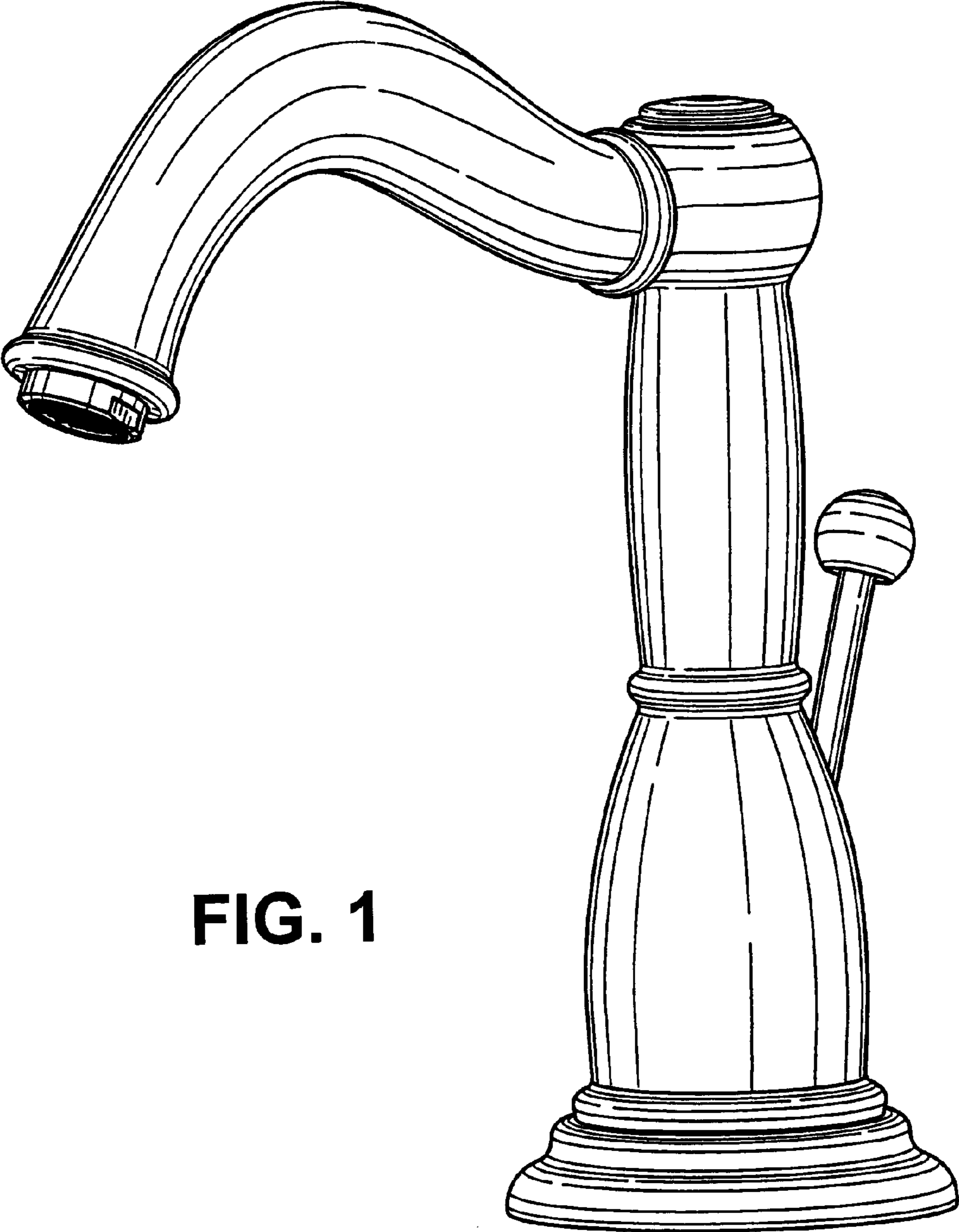


FIG. 1

FIG. 2

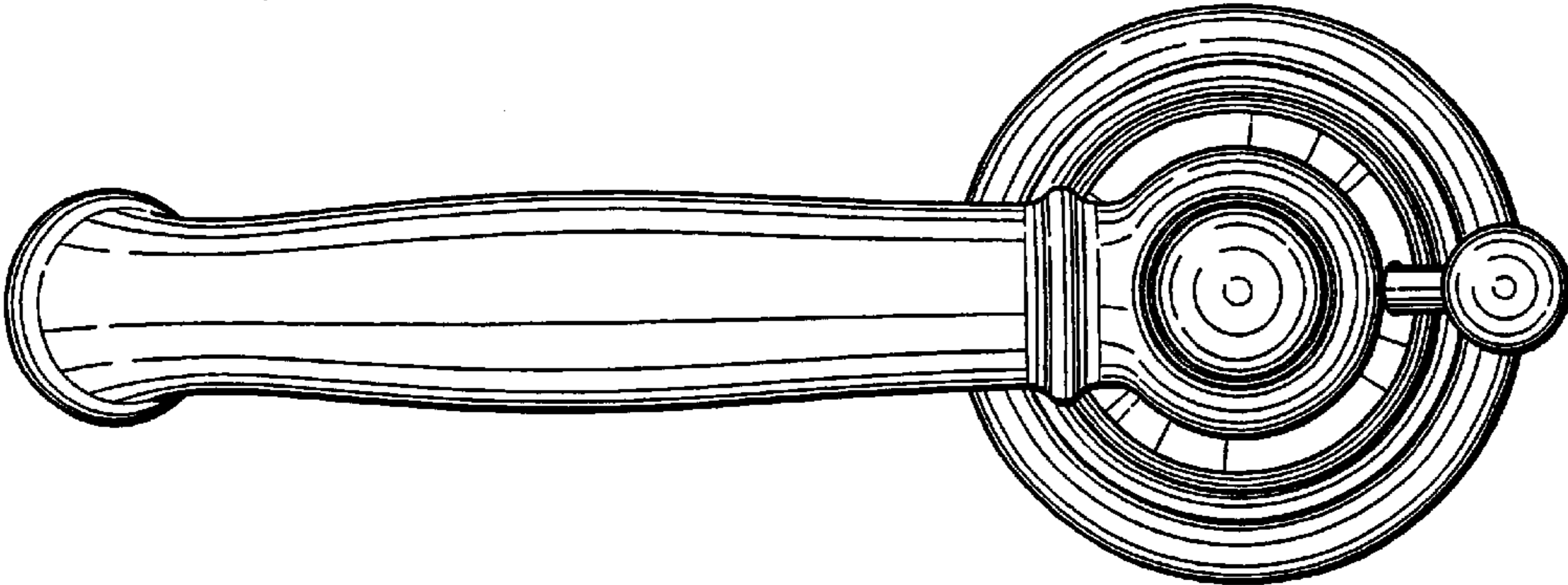
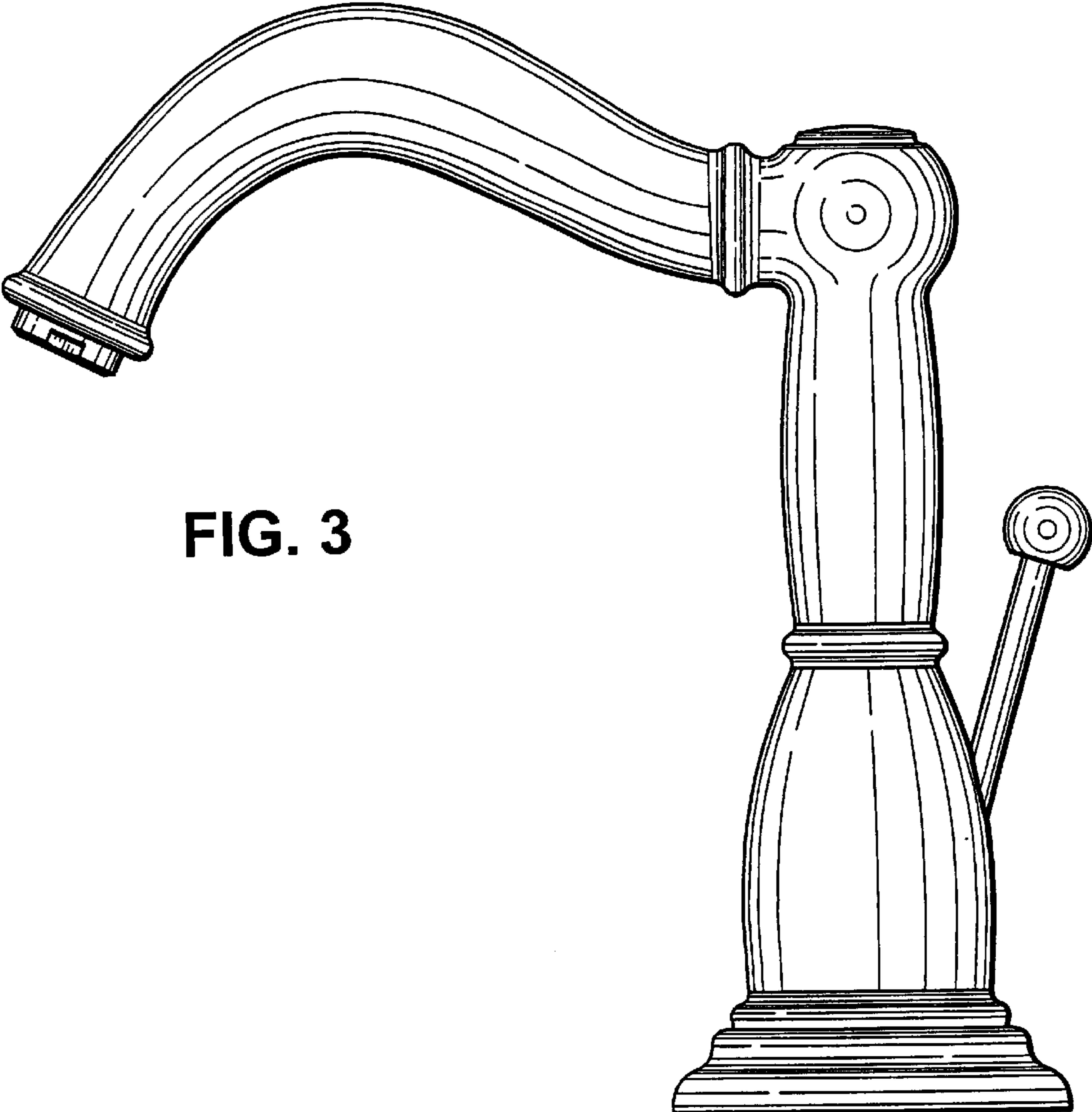


FIG. 3



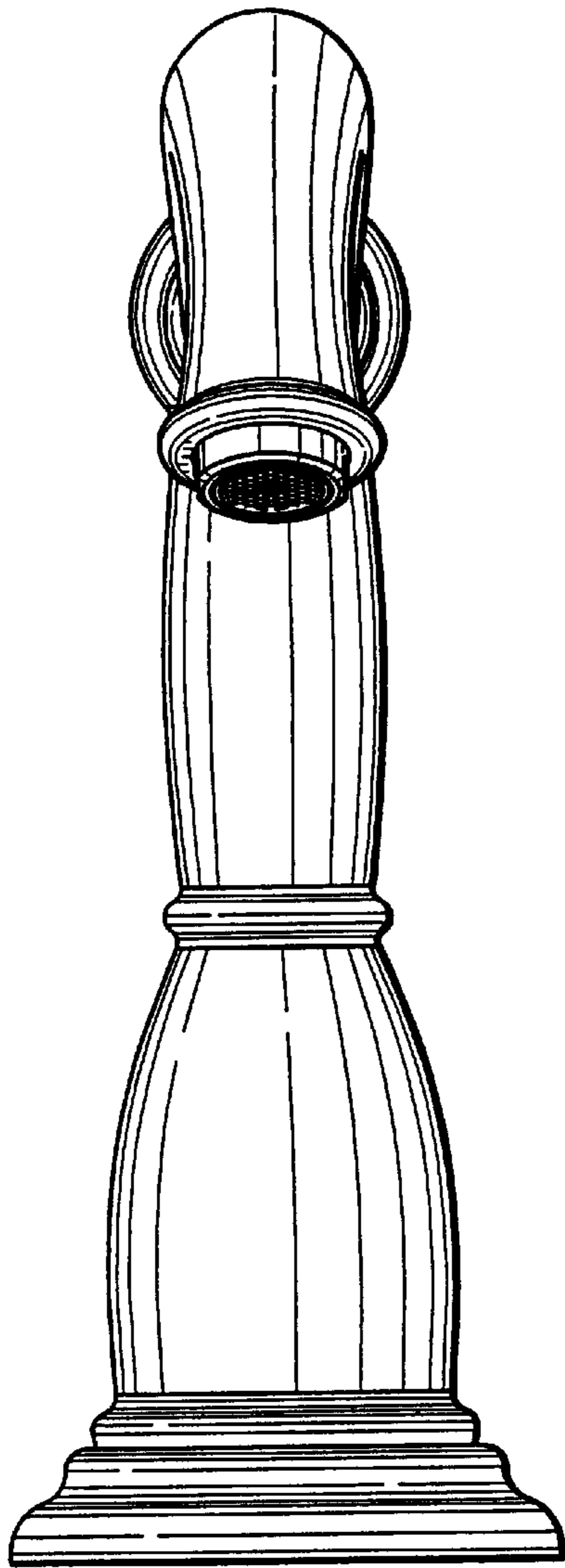


FIG. 4

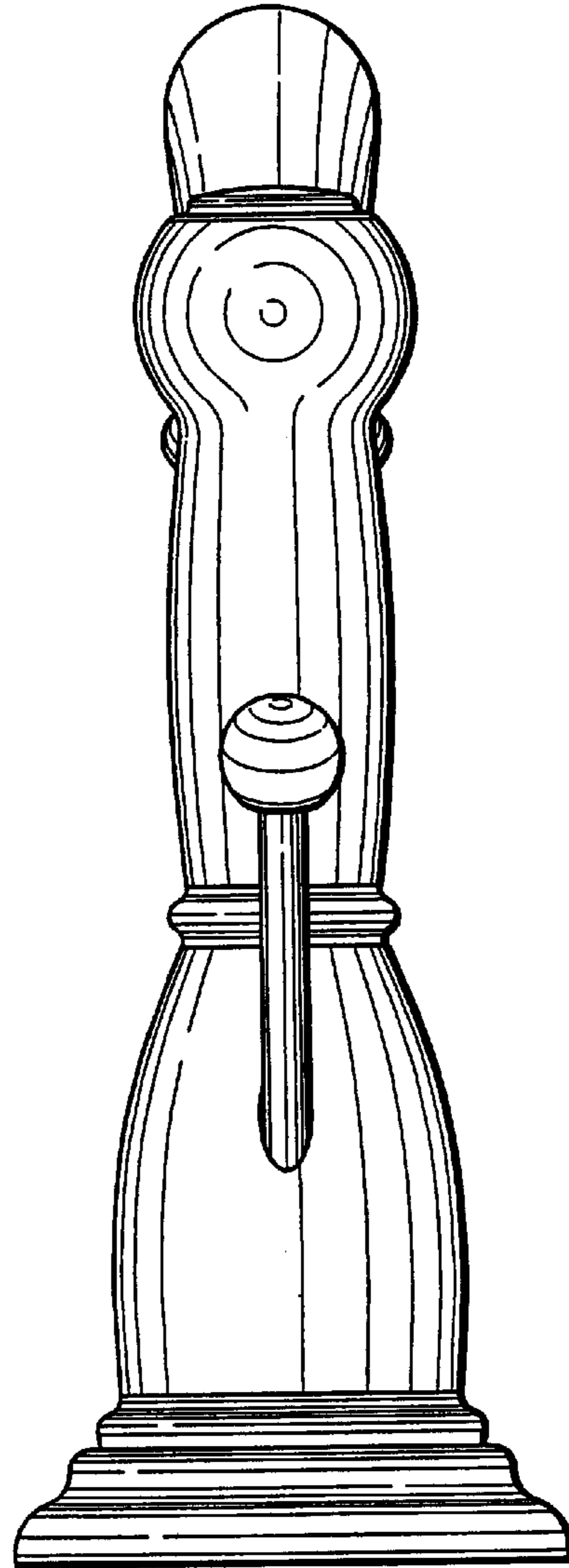


FIG. 5