

US00D509283S

(12) **United States Design Patent**
Sieger

(10) **Patent No.:** **US D509,283 S**

(45) **Date of Patent:** **** Sep. 6, 2005**

(54) **FAUCET**

(76) **Inventor:** **Michael Sieger**, Schl ss Harkott n,
D-48336 Sassenberg (DE)

(**) **Term:** **14 Years**

(21) **Appl. No.:** **29/190,593**

(22) **Filed:** **Sep. 23, 2003**

(30) **Foreign Application Priority Data**

Mar. 25, 2003 (DE) 403 02 445

(51) **LOC (8) Cl.** **23-01**

(52) **U.S. Cl.** **D23/238**

(58) **Field of Search** D23/238-257;
4/675-687; 137/807, 615

(56) **References Cited**

U.S. PATENT DOCUMENTS

D265,229 S * 6/1982 Paul D23/242

D290,991 S * 7/1987 Paul D23/241

D346,013 S * 4/1994 McKeone D23/255
D479,740 S * 9/2003 Citterio D23/242
D492,392 S * 6/2004 Pohl et al. D23/242

* cited by examiner

Primary Examiner—Louis S. Zarfes

Assistant Examiner—Gregory Andoll

(74) *Attorney, Agent, or Firm*—Herbert Dubno

(57) **CLAIM**

The ornamental design for a faucet, as shown and described.

DESCRIPTION

FIG. 1 is a front elevational view of a faucet showing my new design;

FIG. 2 is a right side elevational view thereof;

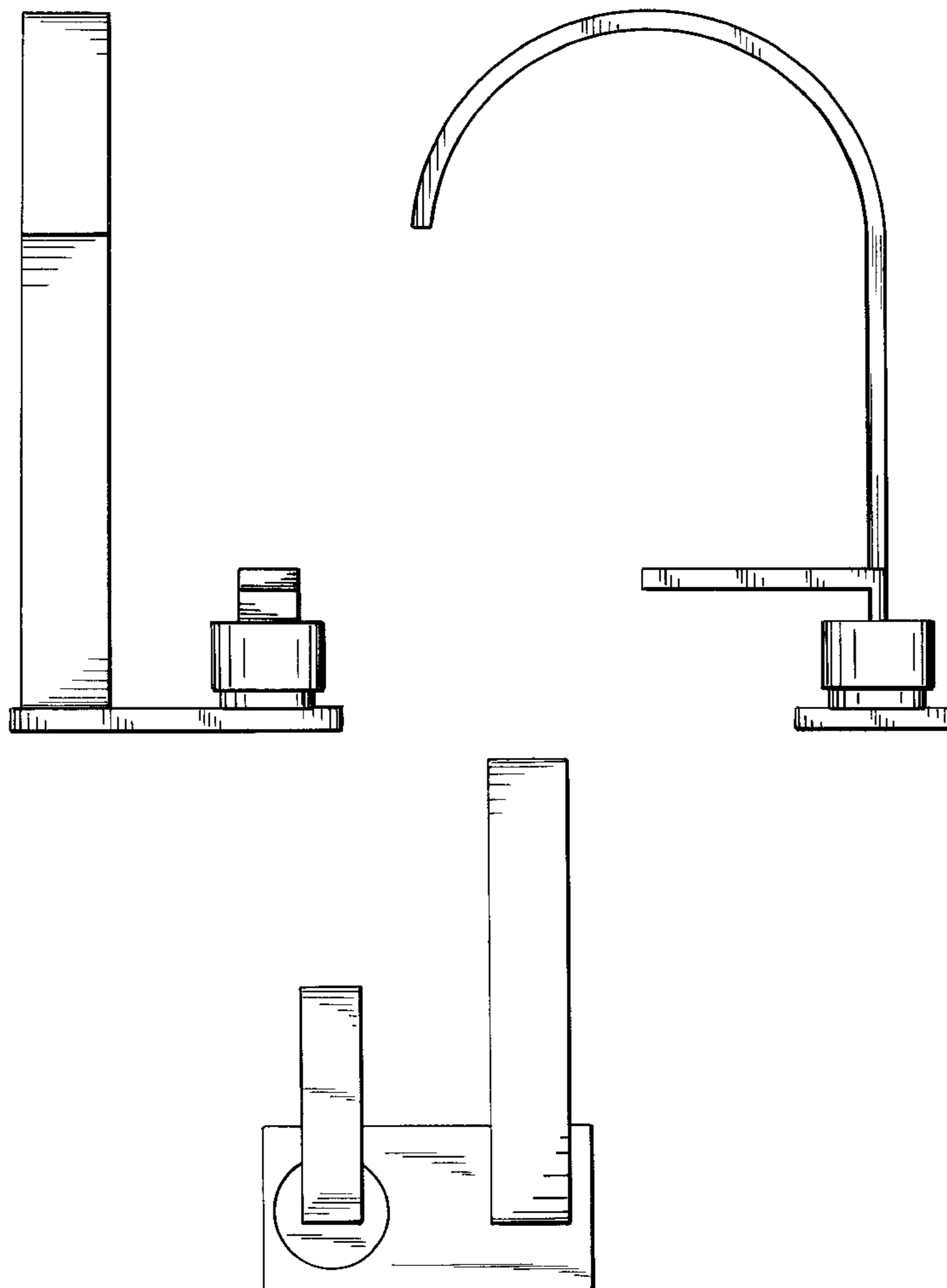
FIG. 3 is a rear elevational view thereof;

FIG. 4 is a left side elevational view thereof;

FIG. 5 is a top plan view thereof; and,

FIG. 6 is a bottom view thereof, the portion shown within the dot-dash line being invisible in use and is not claimed.

1 Claim, 3 Drawing Sheets



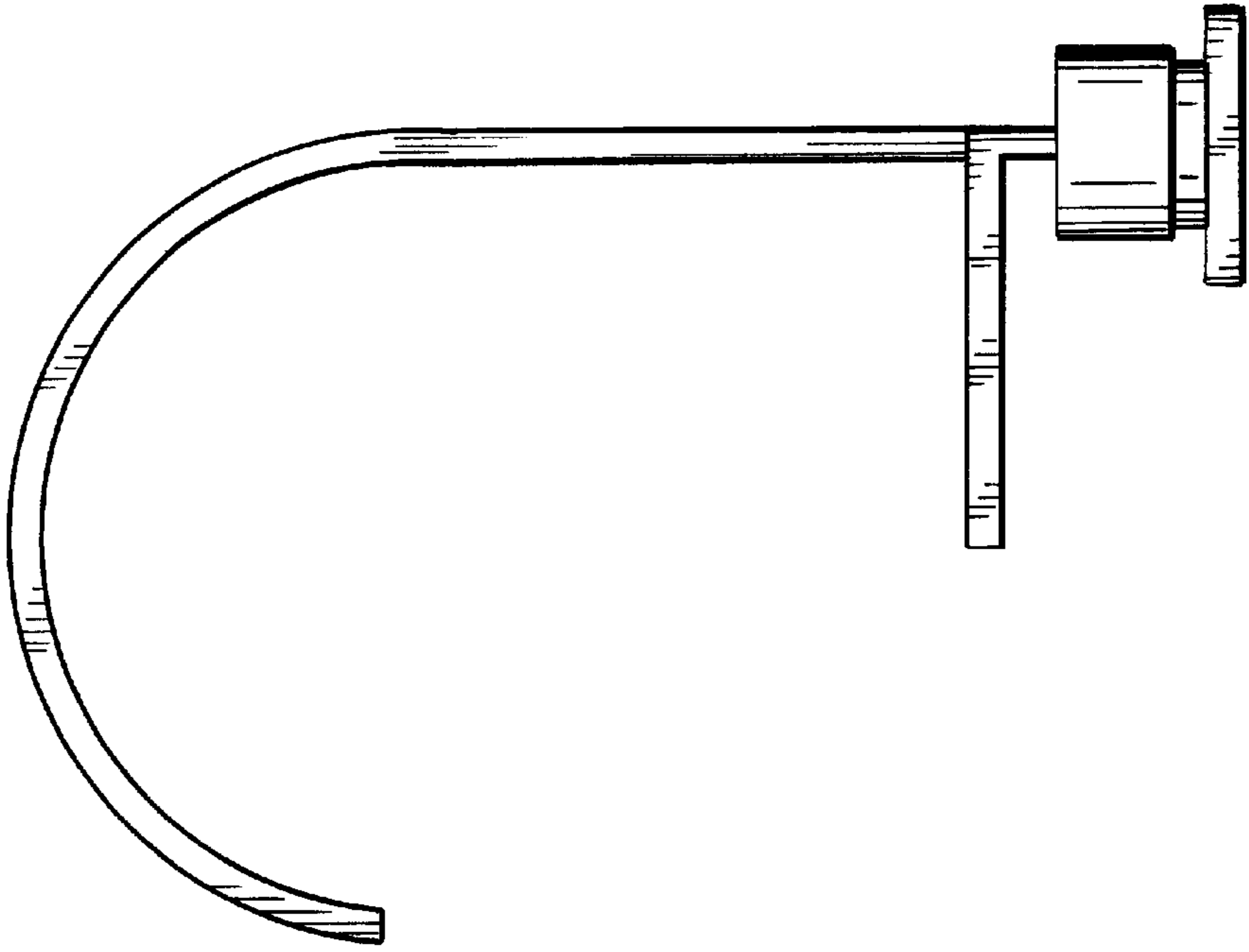


FIG. 1

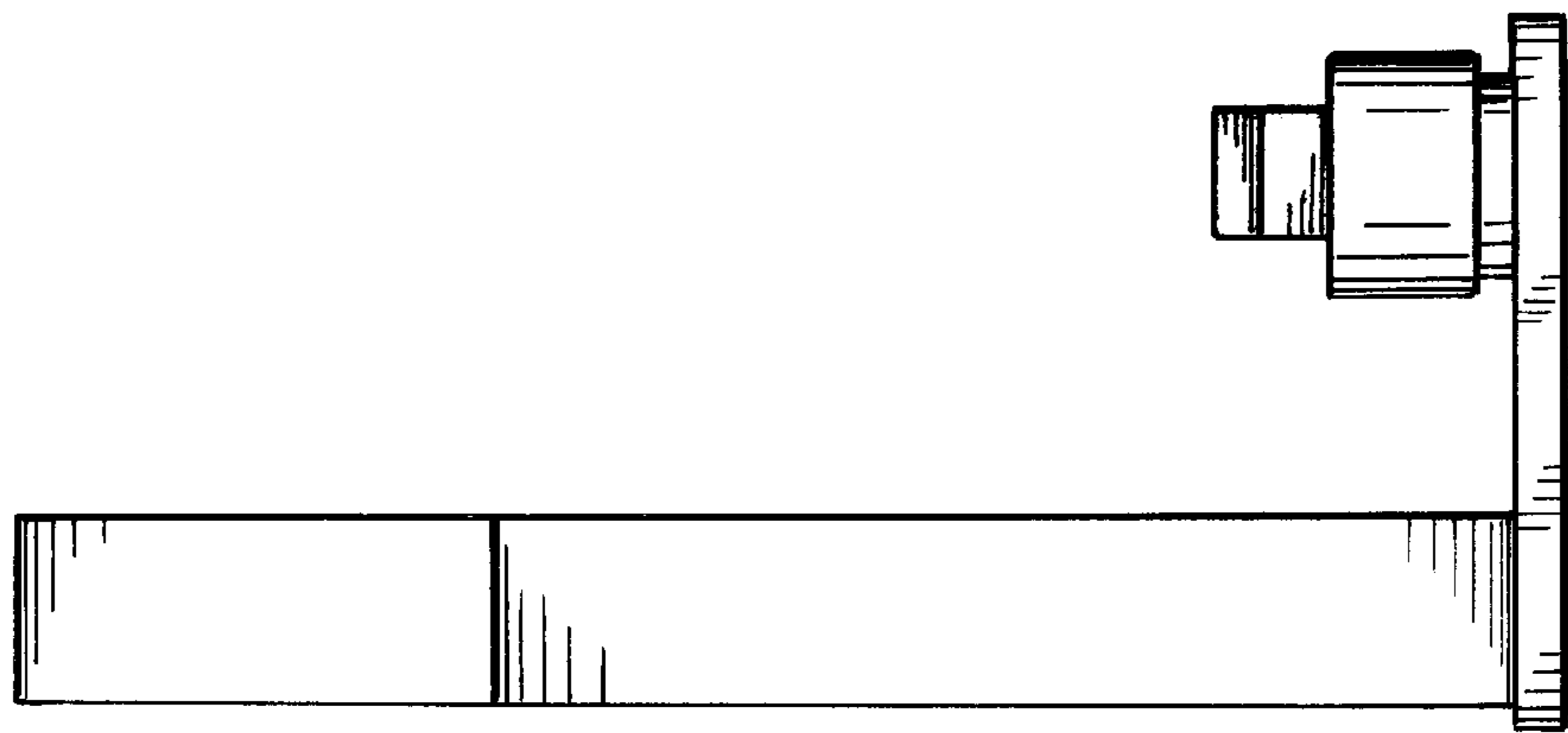


FIG. 2

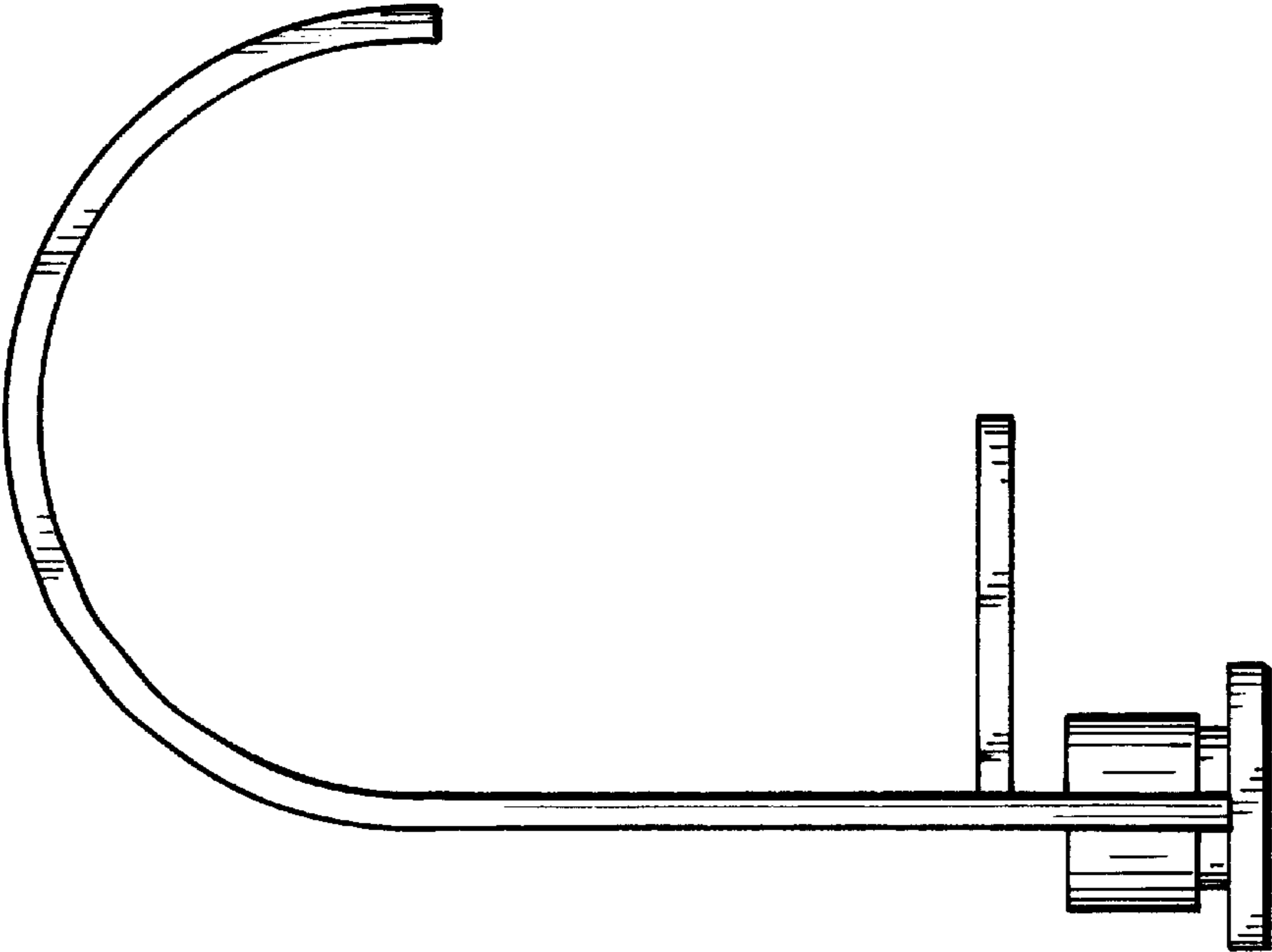


FIG. 4

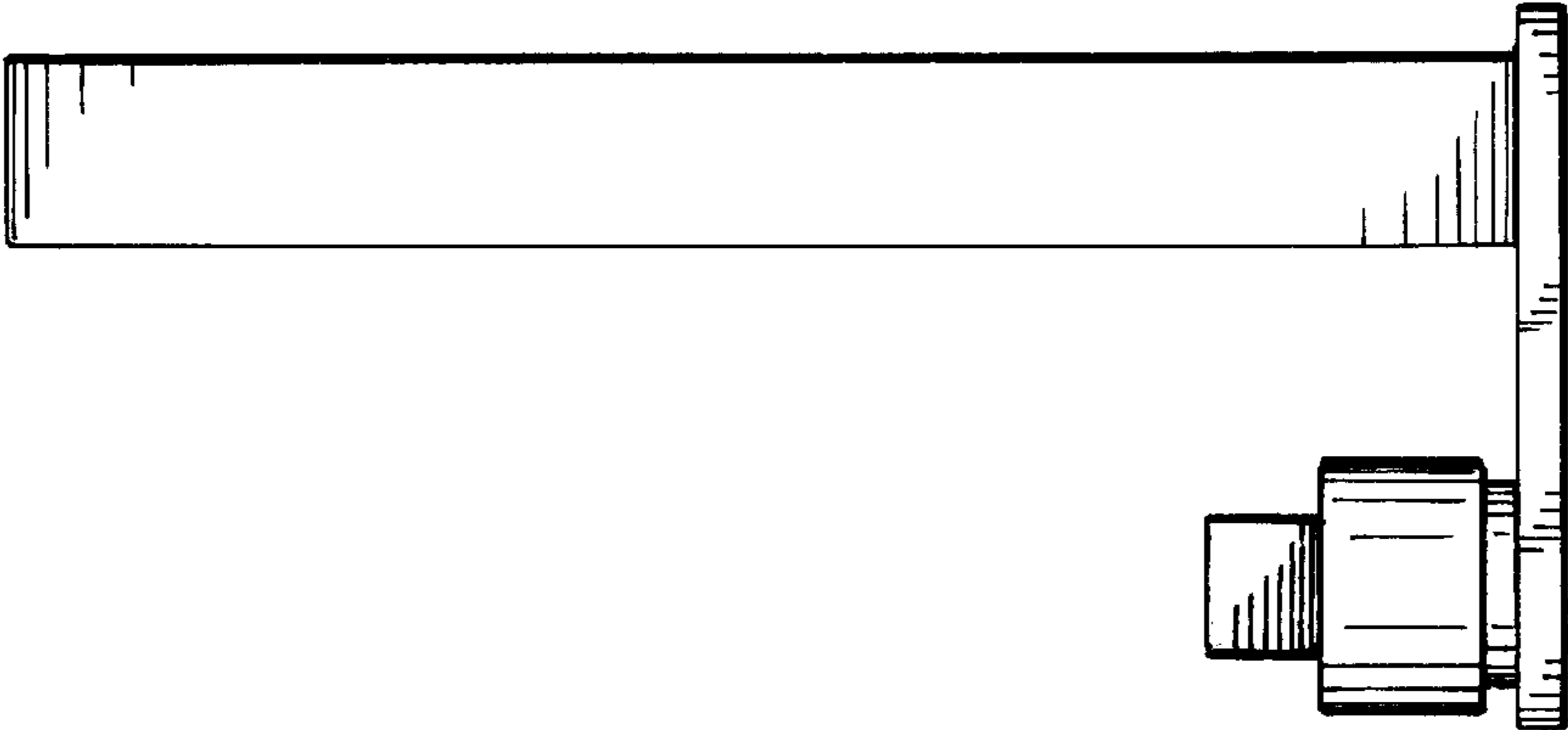


FIG. 3

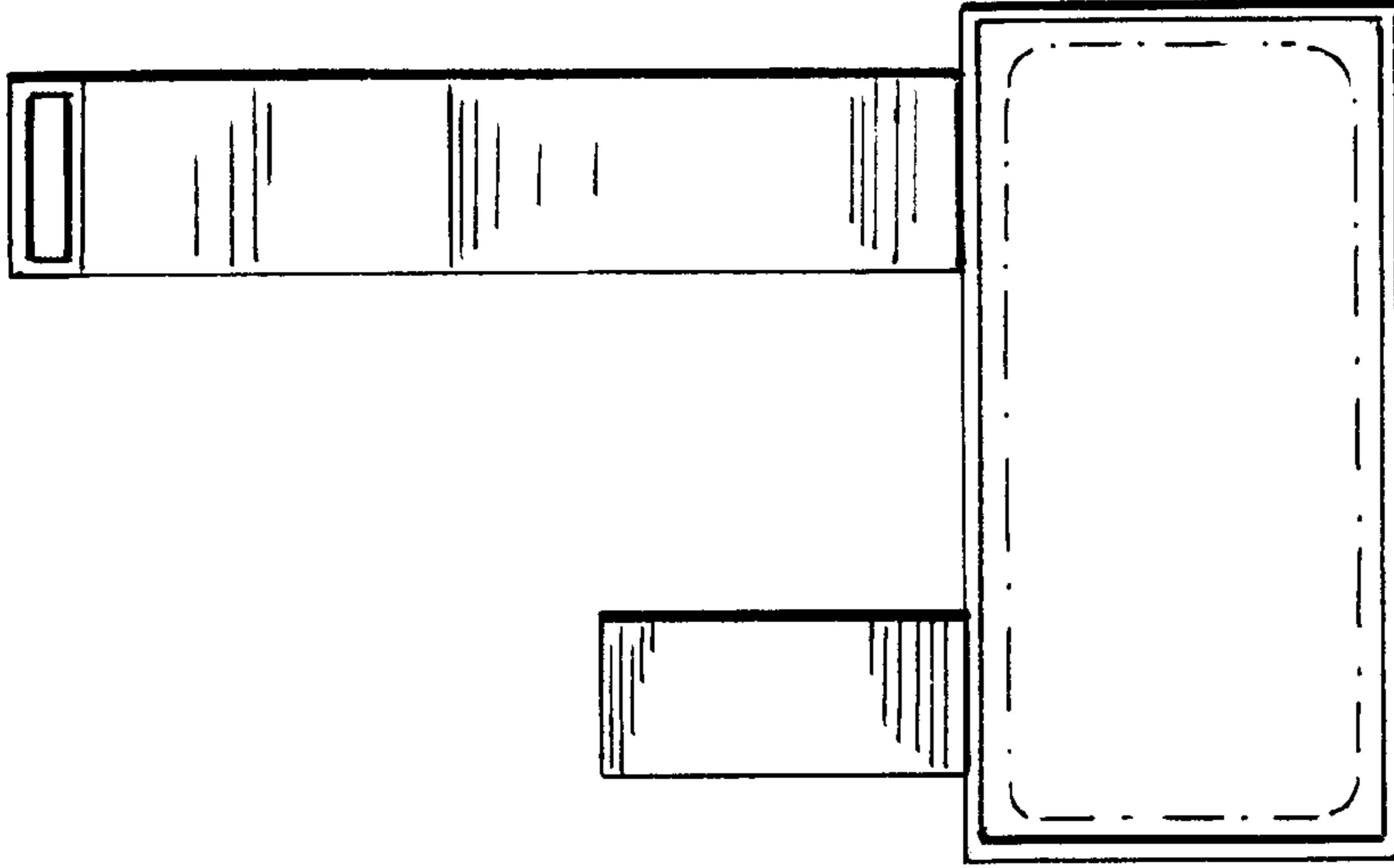


FIG. 5

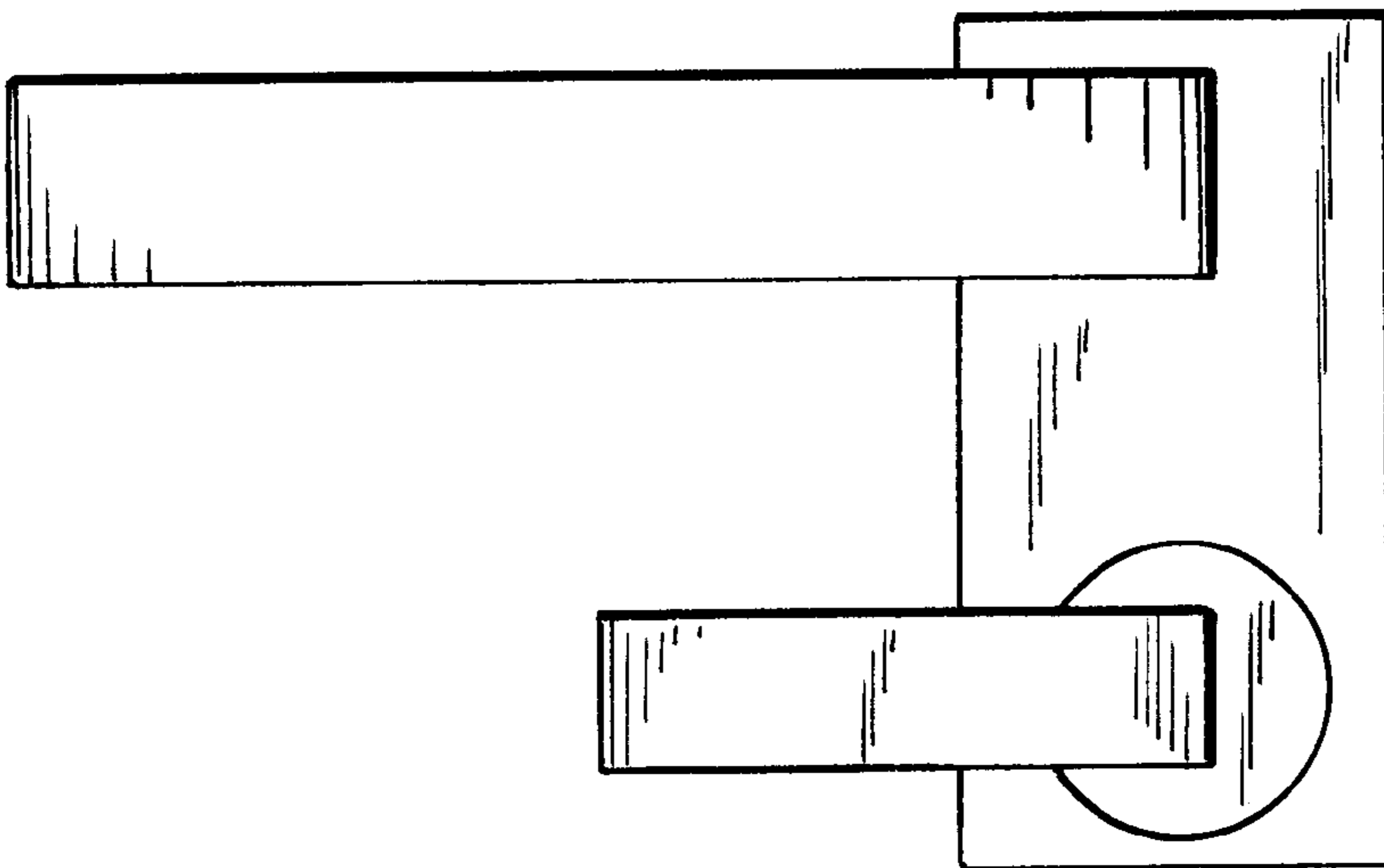


FIG. 6