

US00D509279S

(12) **United States Design Patent**
Iwabuchi

(10) **Patent No.:** **US D509,279 S**
(45) **Date of Patent:** **** Sep. 6, 2005**

(54) **ROTOR ARM OF SPINNING REEL**

(75) Inventor: **Masakazu Iwabuchi**, Tondabayashi (JP)

(73) Assignee: **Shinano Inc.**, Osaka (JP)

(**) Term: **14 Years**

(21) Appl. No.: **29/205,472**

(22) Filed: **May 17, 2004**

(30) **Foreign Application Priority Data**

Dec. 25, 2003 (JP) 2003-038360

(51) **LOC (8) Cl.** **22-05**

(52) **U.S. Cl.** **D22/141**

(58) **Field of Search** D22/141, 140,
D22/137; 242/316, 224, 370, 223, 234,
311, 322, 283; 43/19-22

(56) **References Cited**

U.S. PATENT DOCUMENTS

D412,196 S	*	7/1999	Asano et al.	D22/141
D433,728 S	*	11/2000	Tao	D22/141
D437,026 S	*	1/2001	Tao	D22/141
D460,516 S	*	7/2002	Yoshikawa et al.	D22/141
D467,299 S	*	12/2002	Kondo et al.	D22/141
6,629,655 B2	*	10/2003	Kitajima	242/311
D496,981 S	*	10/2004	Iwabuchi	D22/141
2001/0054661 A1	*	12/2001	Takikura et al.	242/322

* cited by examiner

Primary Examiner—Catherine R. Oliver
(74) *Attorney, Agent, or Firm*—Shinju Global IP Counselors, LLP

(57) **CLAIM**

The ornamental design for a rotor arm of spinning reel, as shown and described.

DESCRIPTION

FIG. 1 is a front elevational view of the rotor arm of spinning reel in accordance with my new design;
FIG. 2 is a top plan view of the rotor arm of spinning reel in accordance with my new design;
FIG. 3 is a bottom plan view of the rotor arm of spinning reel in accordance with my new design;
FIG. 4 is a right side view of the rotor arm of spinning reel in accordance with my new design;
FIG. 5 is a left side view of the rotor arm of spinning reel in accordance with my new design;
FIG. 6 is a right bottom perspective view of the rotor arm of spinning reel in accordance with my new design;
FIG. 7 is a left top perspective view of the rotor arm of spinning reel in accordance with my new design; and,
FIG. 8 is a cross sectional view of the rotor arm of a spinning reel in accordance with my new design, as viewed along line 8—8 of FIG. 1.

The broken line showing of environment (the remaining structure of the rotor arm of spinning reel) in the Figures is for illustrative purposes only and forms no part of the claimed design. Moreover, the structure shown in broken lines is hereby disclaimed.

1 Claim, 5 Drawing Sheets

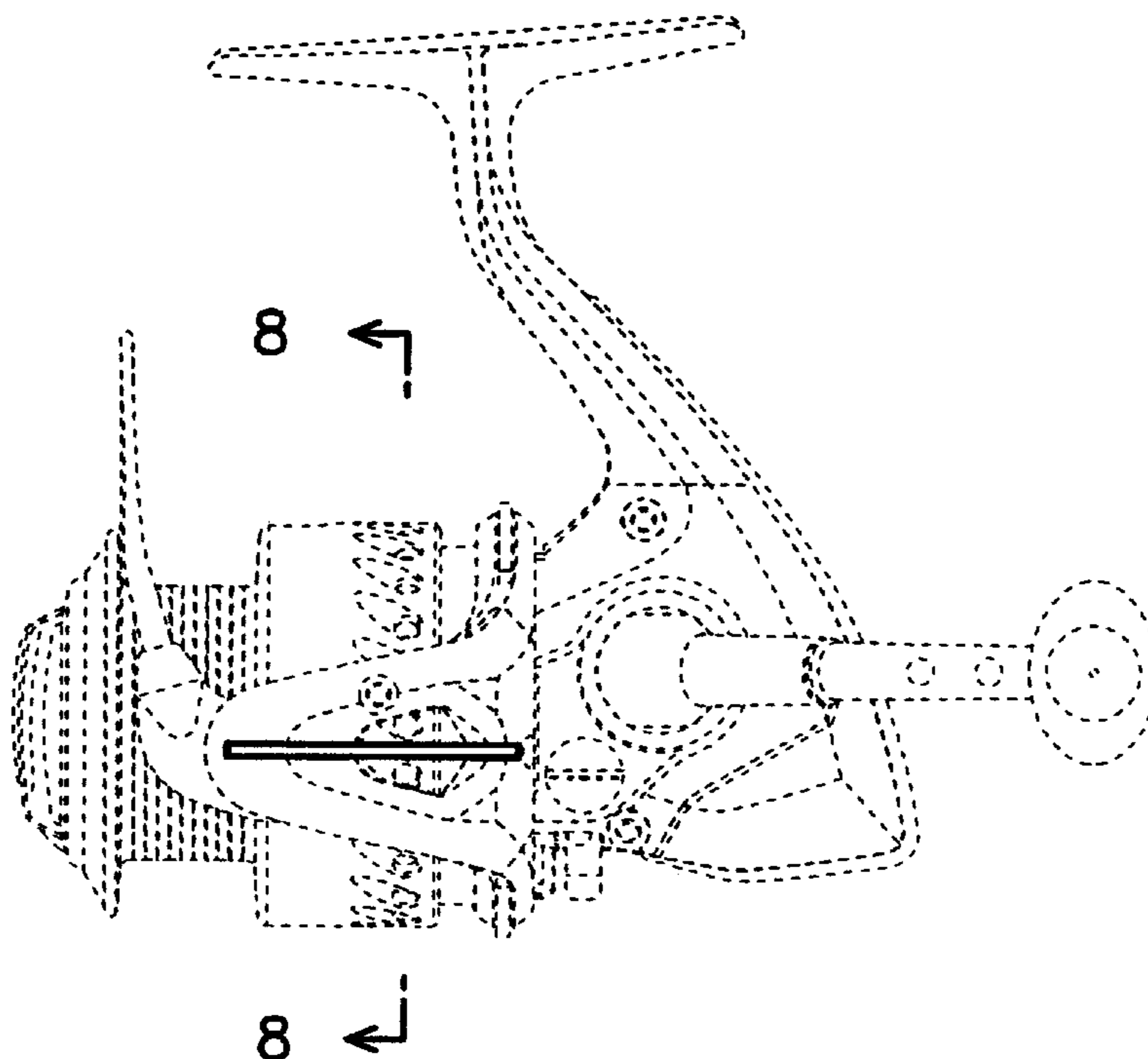


Figure 1

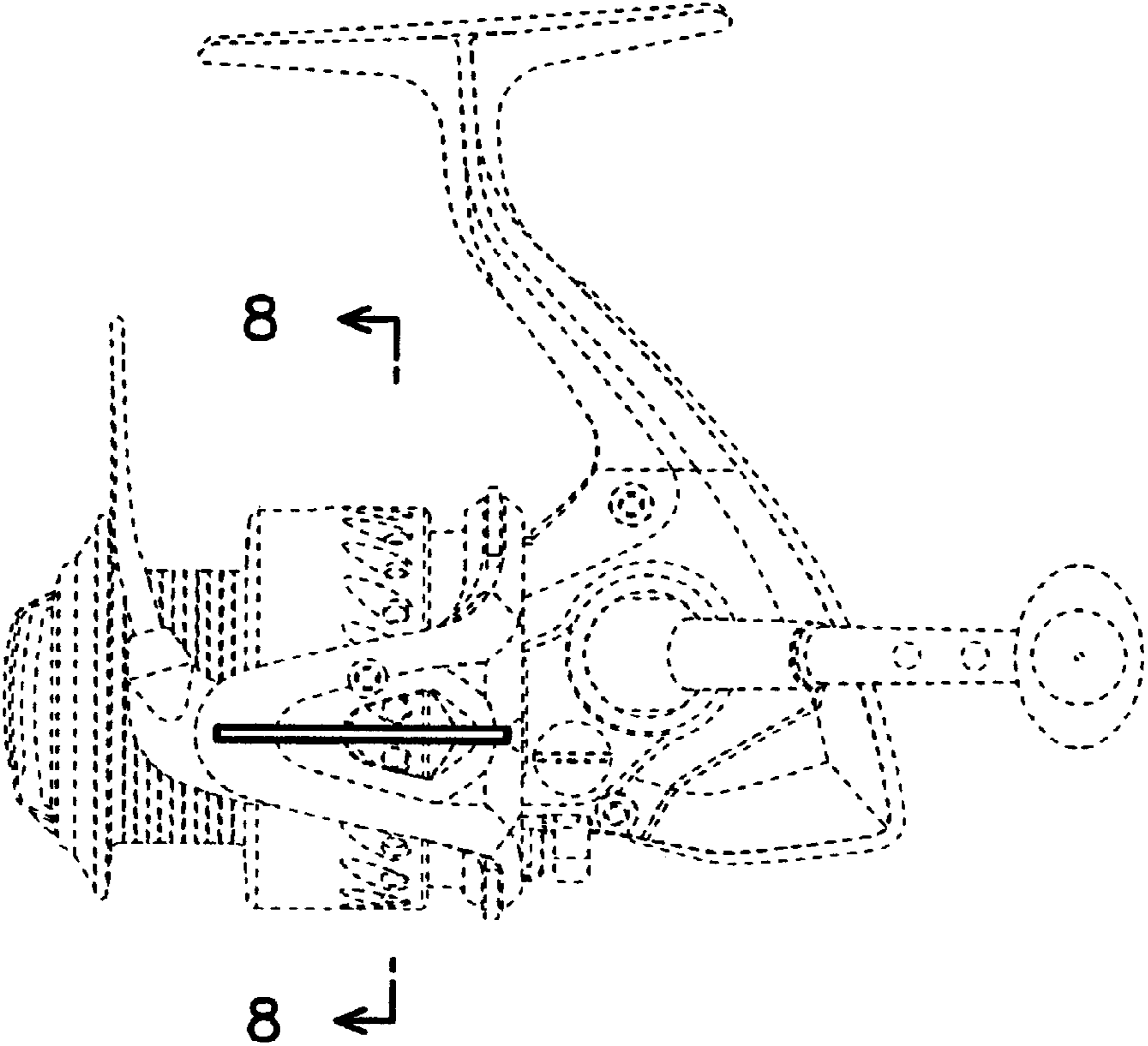


Figure 2

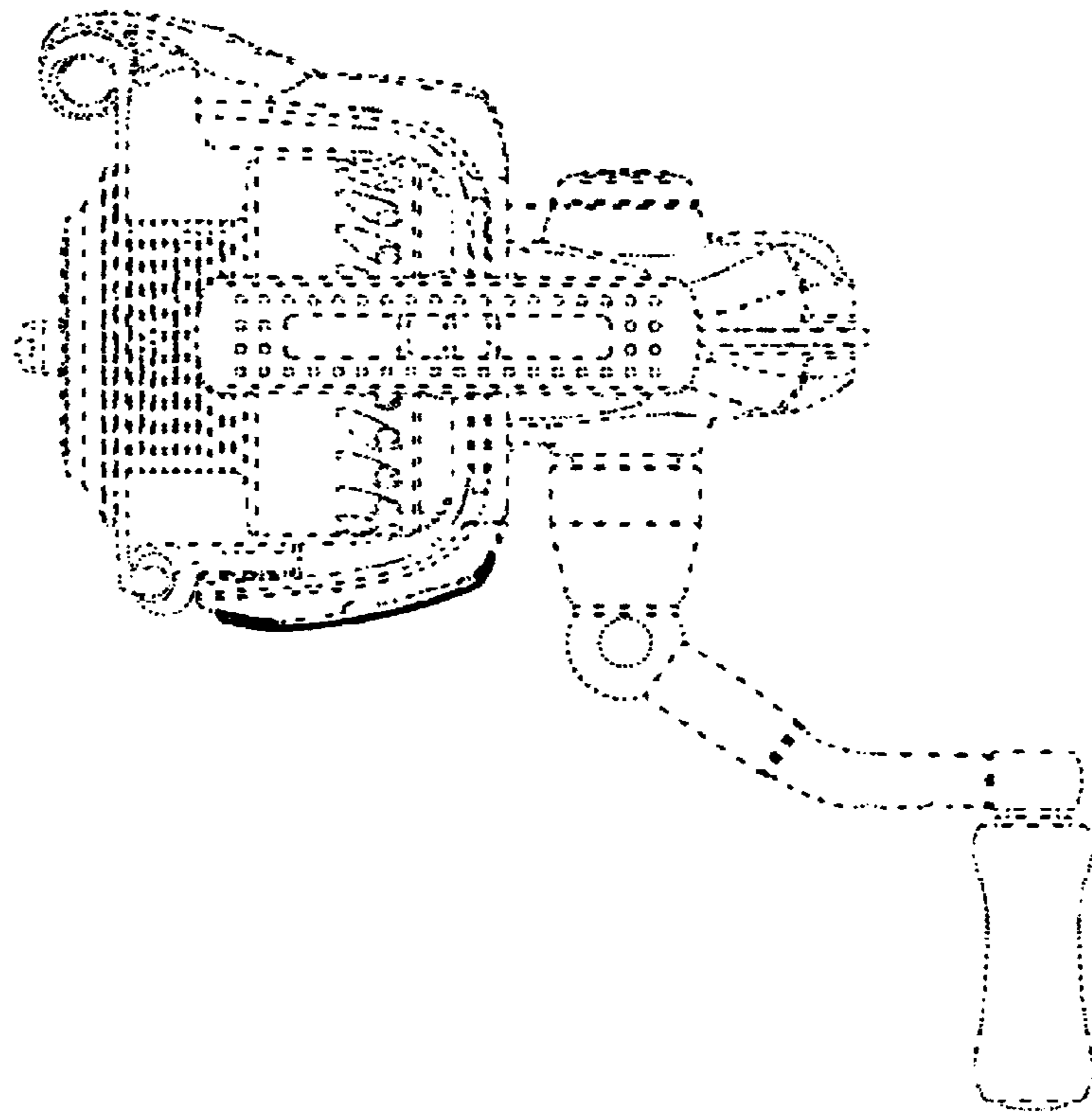


Figure 3

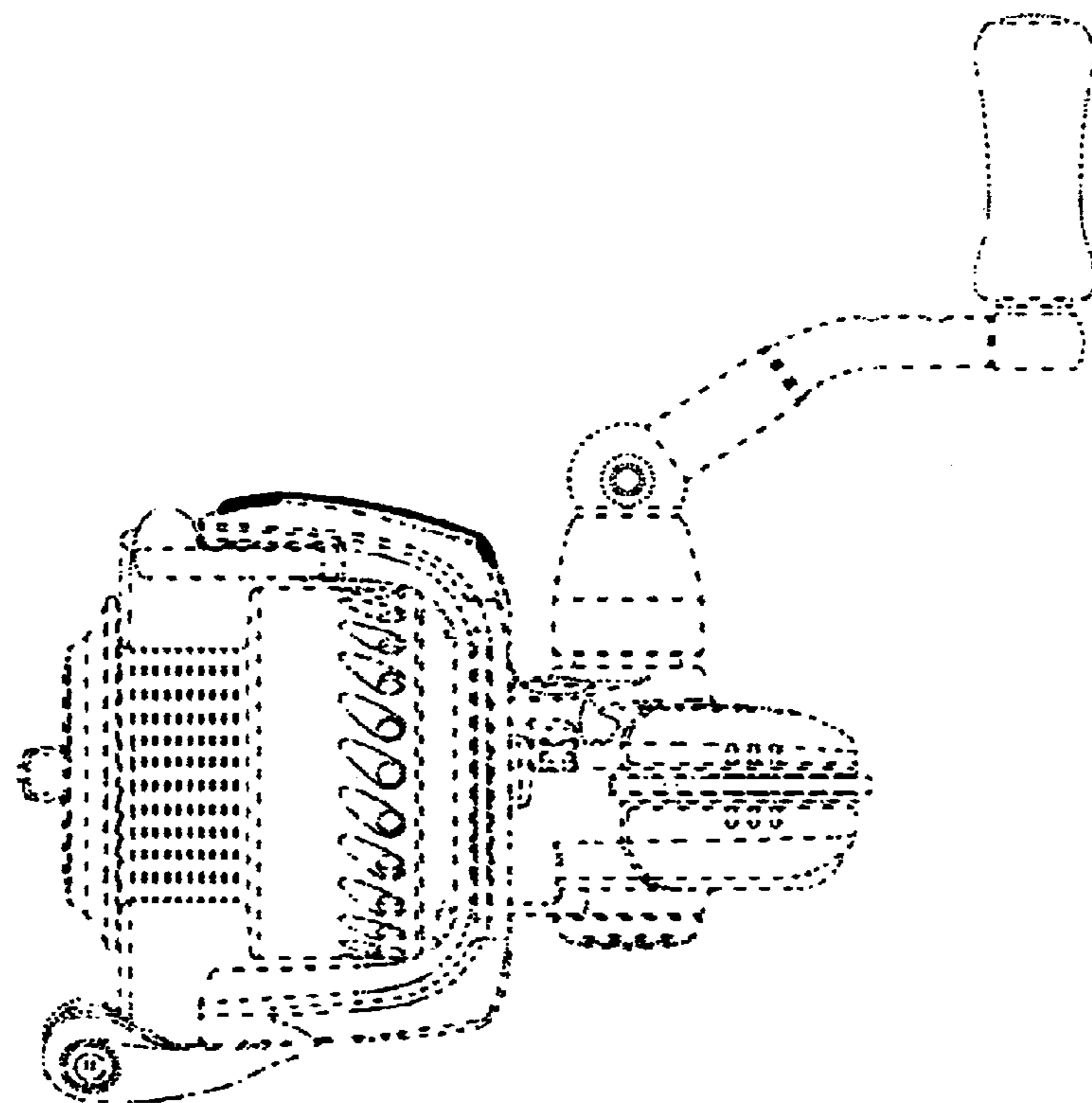


Figure 4

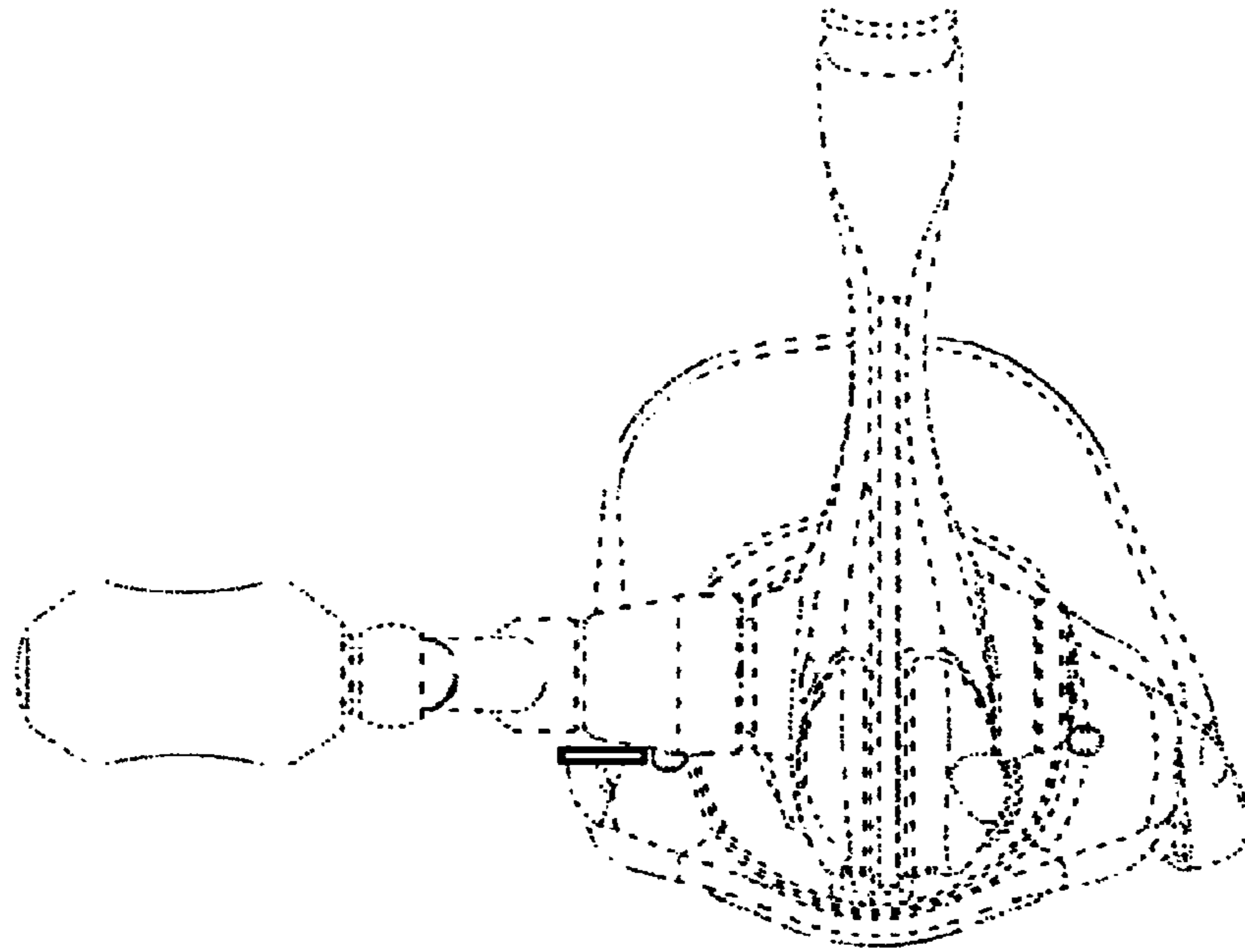


Figure 5

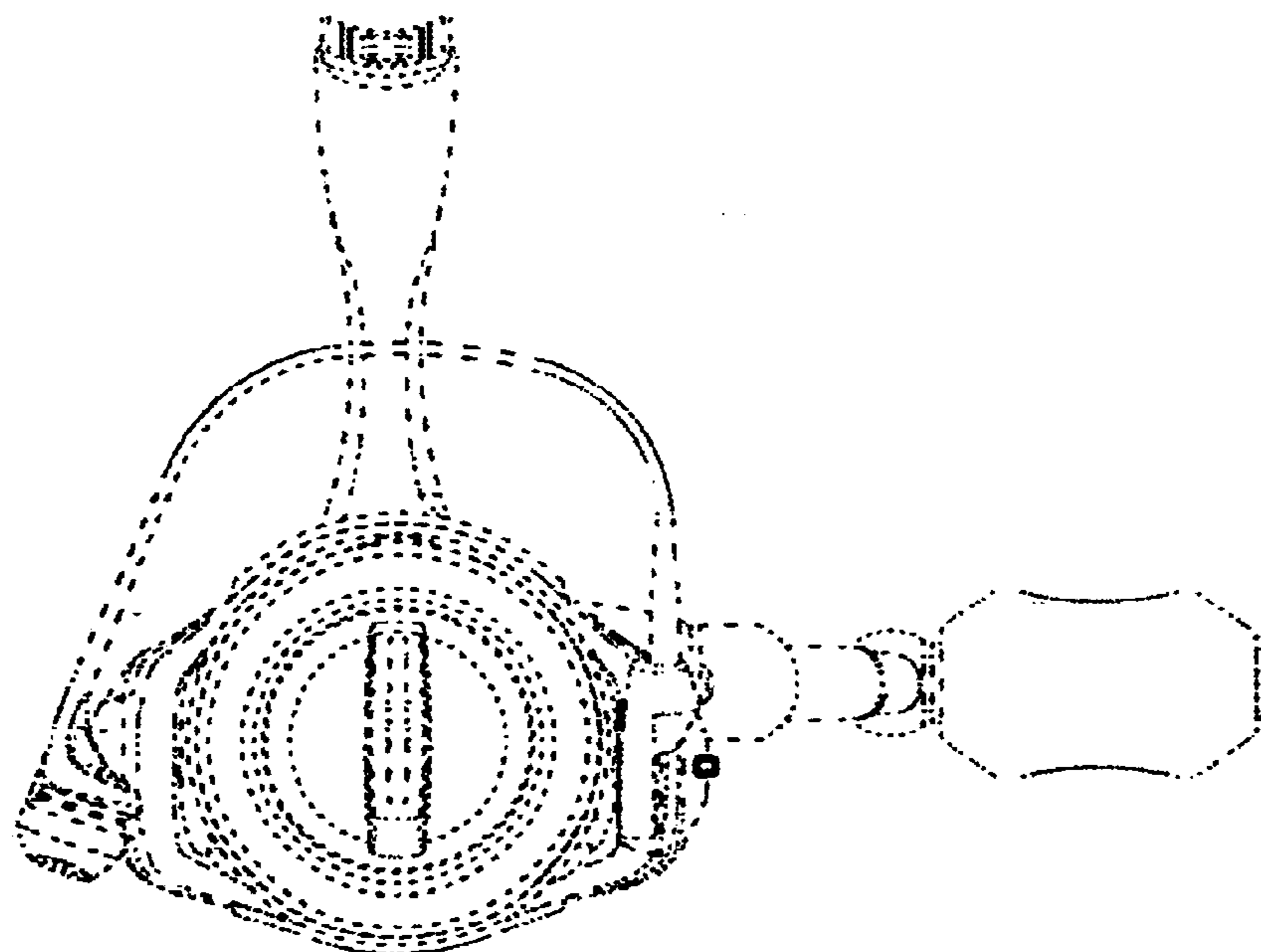


Figure 6

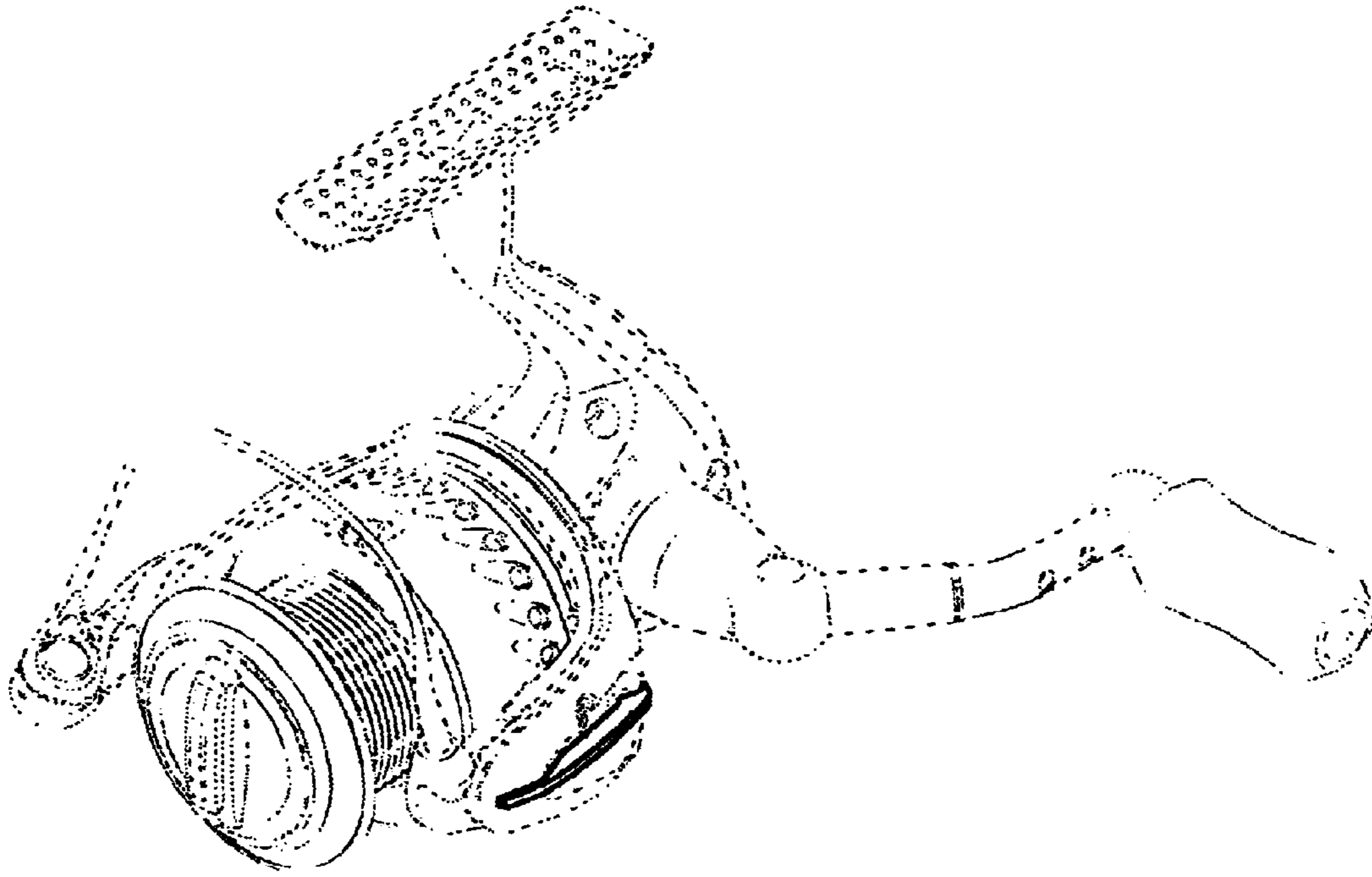


Figure 7

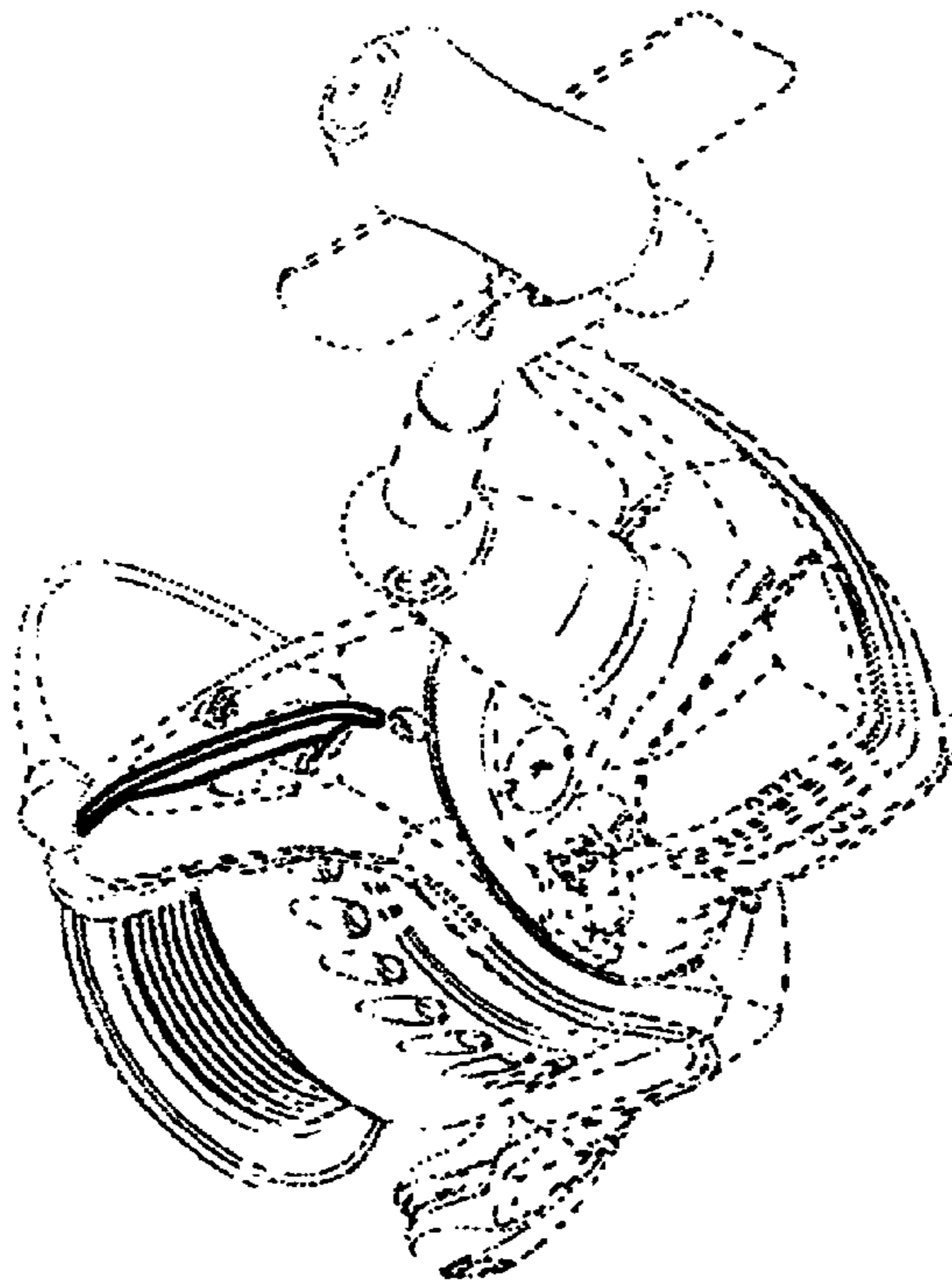


Figure 8

