

US00D509277S

(12) **United States Design Patent**
Morral Gispert

(10) **Patent No.: US D509,277 S**

(45) **Date of Patent: ** Sep. 6, 2005**

(54) **STARTING BLOCK FOR SWIMMING POOLS**

6,523,188 B1 * 2/2003 Kiefer et al. 4/496
D471,945 S * 3/2003 Ryerson et al. D21/802
6,532,606 B1 * 3/2003 Skovronski 4/496

(75) **Inventor: Jaume Morral Gispert, Polinya (ES)**

(73) **Assignee: Metalast, S.A. (Sociedad Unipersonal), Polinya (ES)**

(**) **Term: 14 Years**

(21) **Appl. No.: 29/203,197**

(22) **Filed: Apr. 8, 2004**

(30) **Foreign Application Priority Data**

Oct. 16, 2003 (EM) 000089065

(51) **LOC (8) Cl. 21-02**

(52) **U.S. Cl. D21/802**

(58) **Field of Search** D21/801, 802,
D21/803; D25/2; 434/254; 482/56, 30,
31, 32; 472/128; 4/496, 488

(56) **References Cited**

U.S. PATENT DOCUMENTS

D202,546 S * 10/1965 French D21/802
3,809,392 A * 5/1974 Karl, Jr. 482/56
3,916,214 A * 10/1975 Coble et al. 307/119
D240,811 S * 8/1976 Beall D21/802
4,475,016 A * 10/1984 Berger 200/52 R
4,780,085 A * 10/1988 Malone 434/254
5,916,031 A * 6/1999 Casillan 472/85
6,247,935 B1 * 6/2001 Martin et al. 434/254
D464,699 S * 10/2002 Brice D21/802

OTHER PUBLICATIONS

Kiefer, Fall, 2002, p. 27, starting blocks, [retrieved Mar. 16, 2005]. Retrieved from internet using Google Advanced catalog search, <URL:www.kiefer.com>.*

Recreonics, 2003–2004, pp. 84 & 85, starting platforms, [retrieved Mar. 16, 2005]. Retrieved from internet using Google Advanced catalog search, <URL:www.recreonics.com>.*

* cited by examiner

Primary Examiner—Lucy Lieberman

(74) *Attorney, Agent, or Firm*—Merchant & Gould P.C.

(57) **CLAIM**

The ornamental design for a starting block for swimming pools, as shown and described.

DESCRIPTION

FIG. 1 is a front, right, side, and top perspective view thereof;

FIG. 2 is a front elevational view thereof;

FIG. 3 is a rear elevational view thereof;

FIG. 4 is a top plan view thereof;

FIG. 5 is a right side elevation thereof; and,

FIG. 6 is a left side elevation thereof.

1 Claim, 4 Drawing Sheets

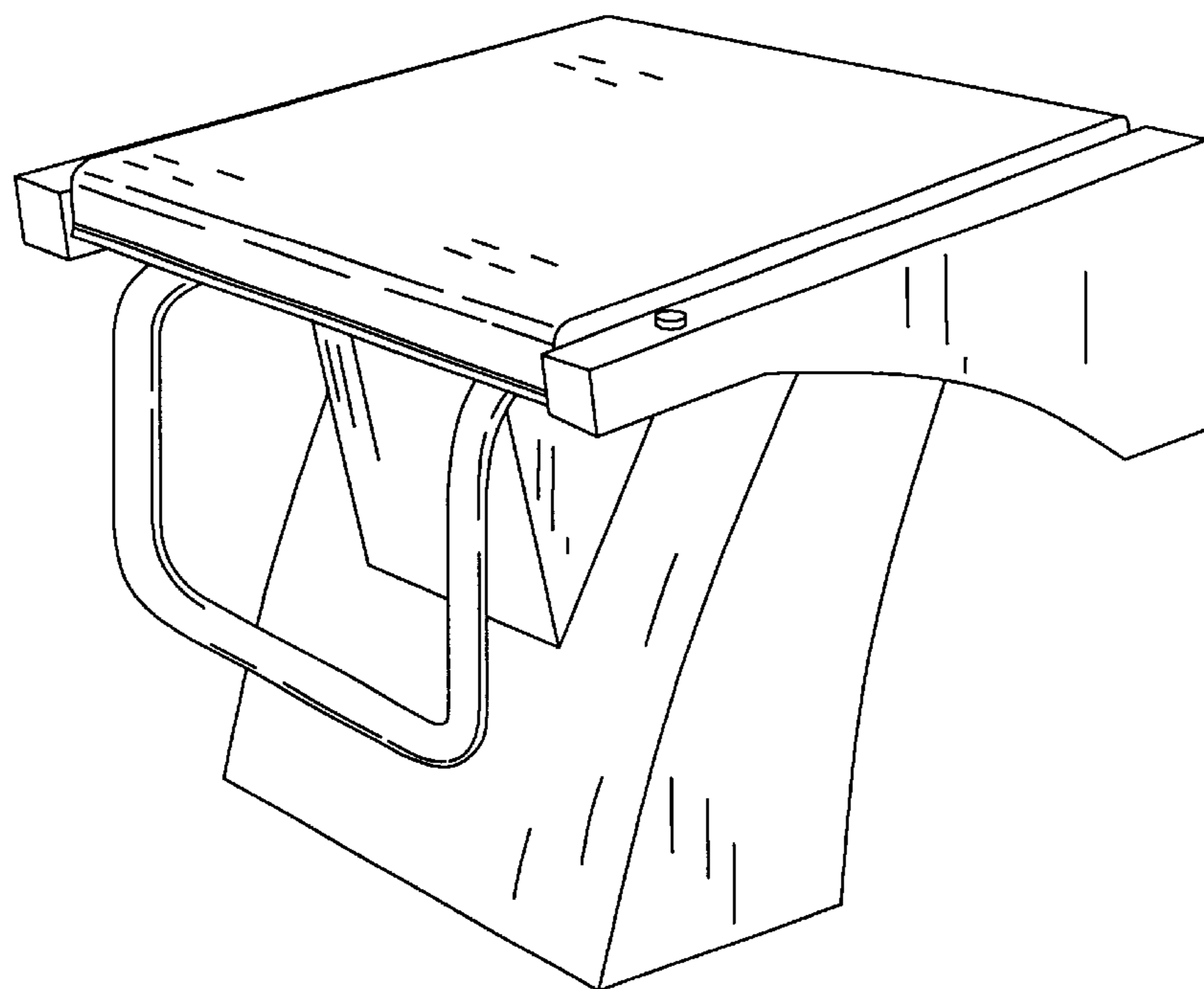


FIG. 1

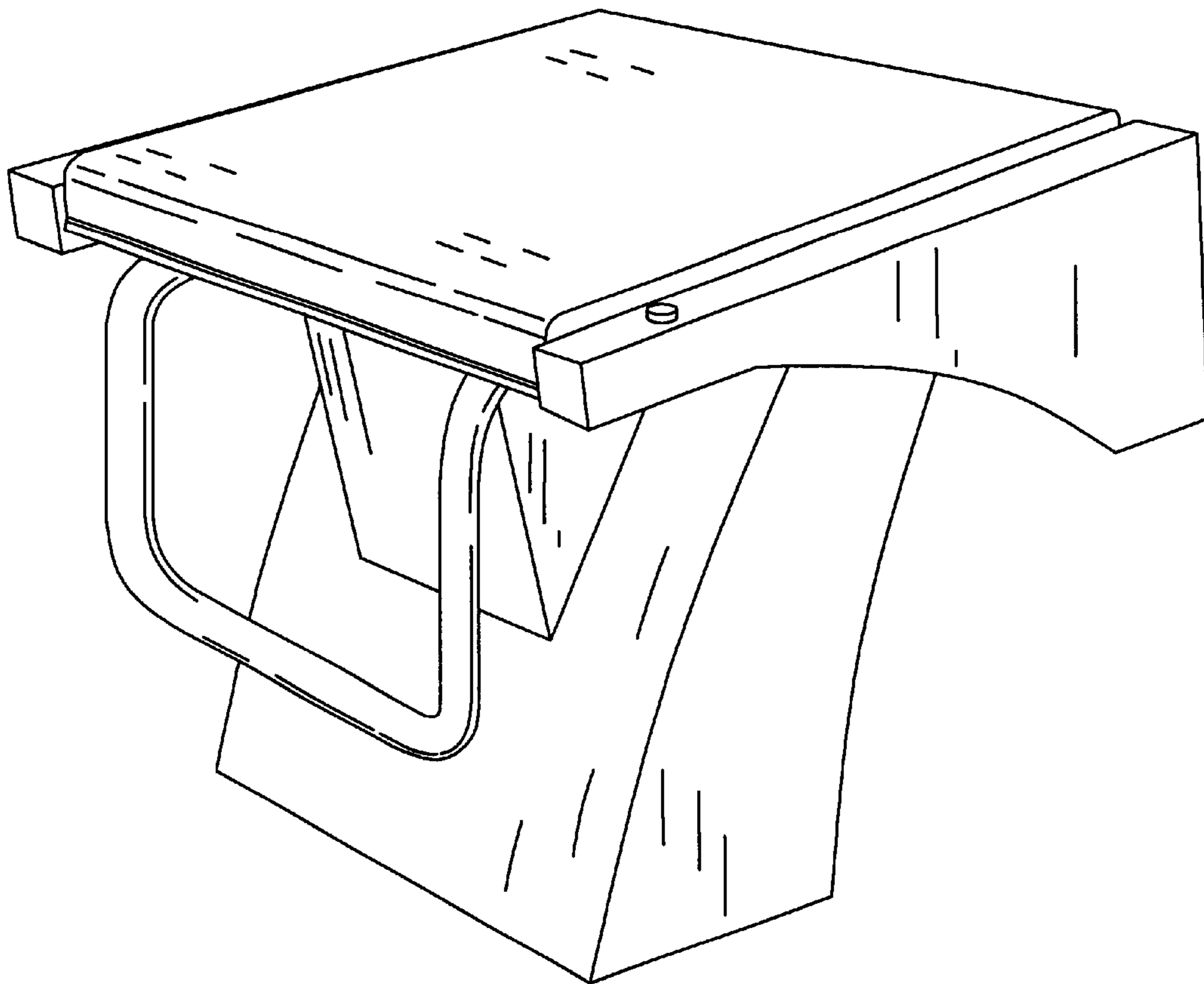


FIG. 3

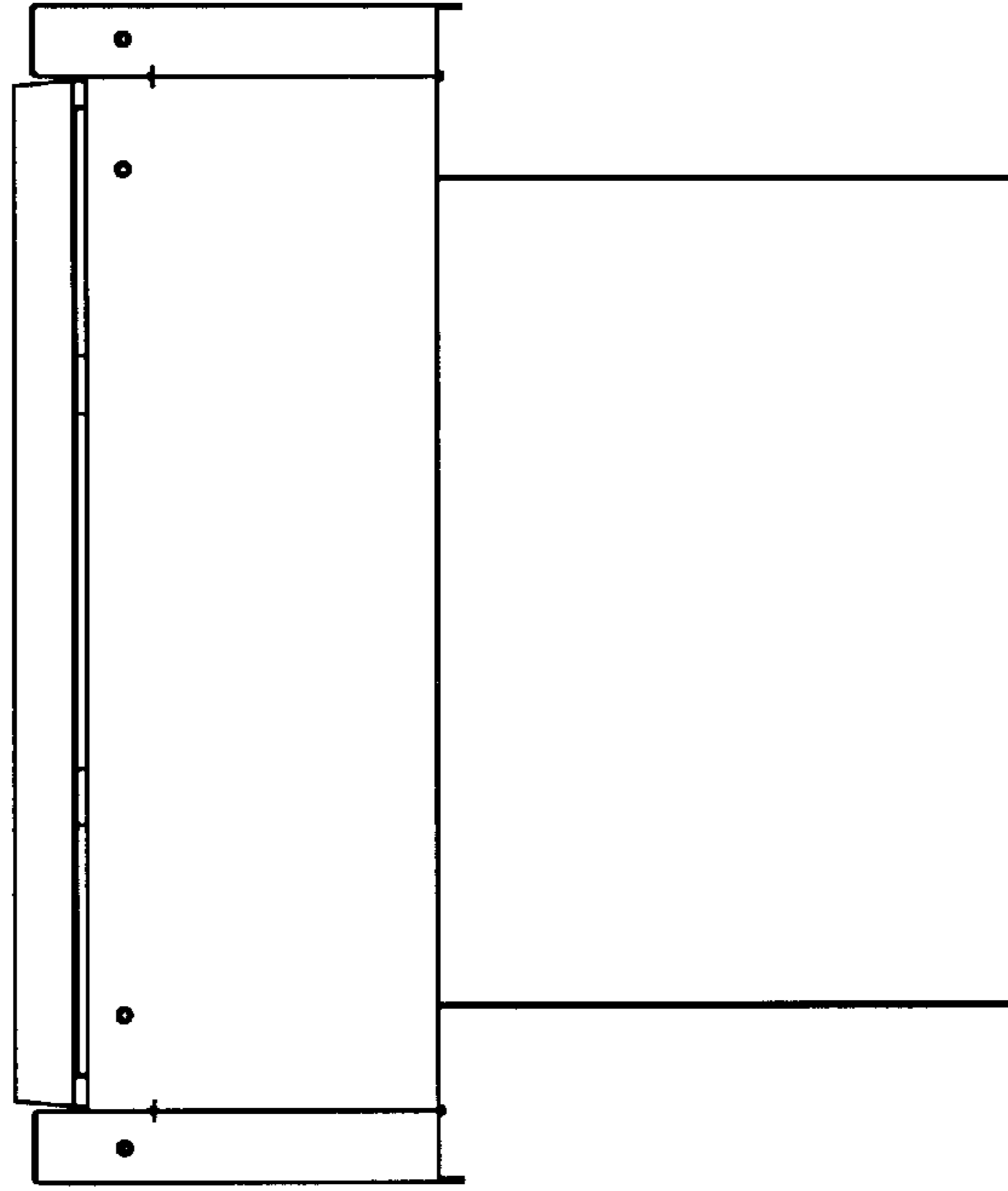


FIG. 2

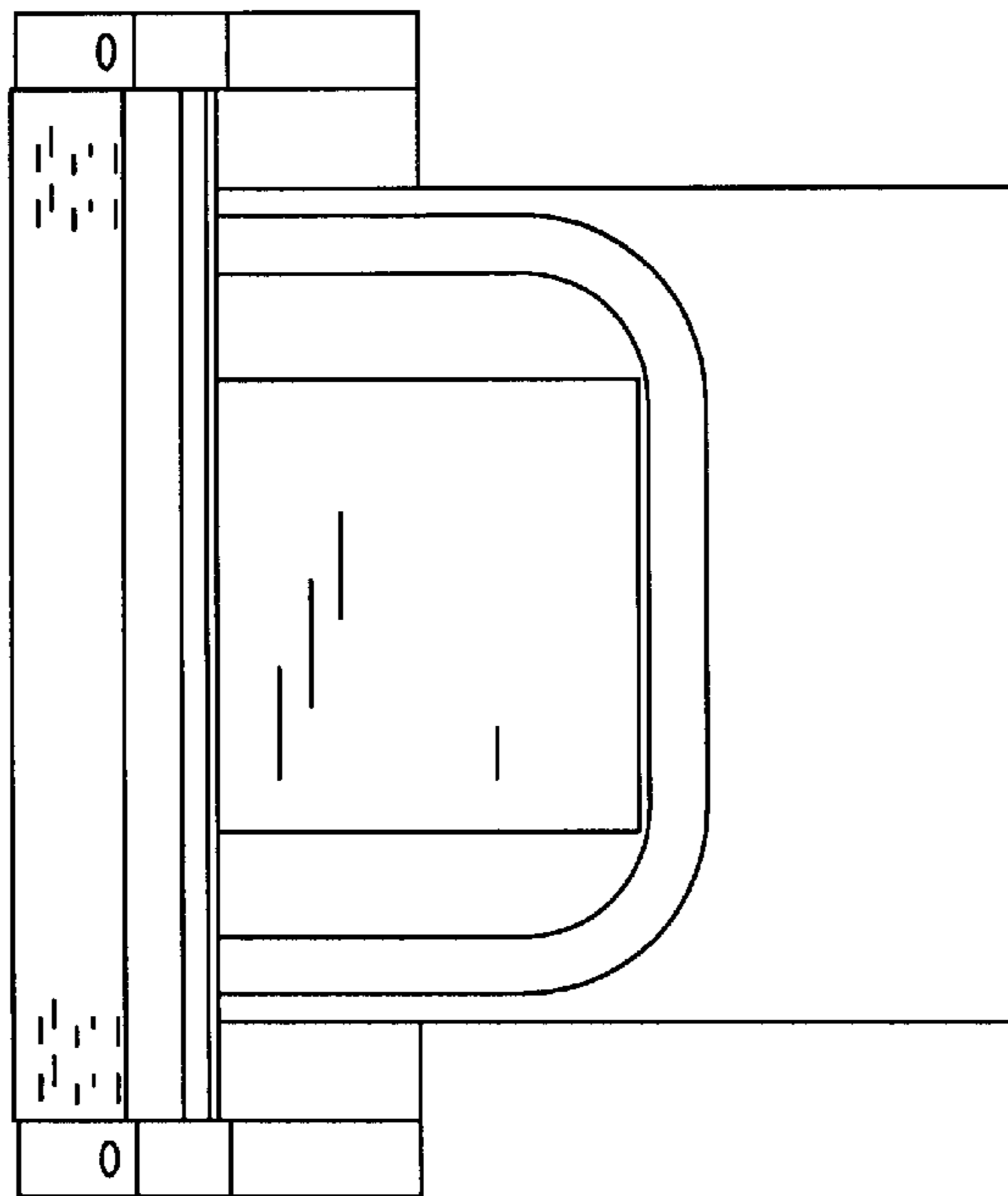


FIG. 4

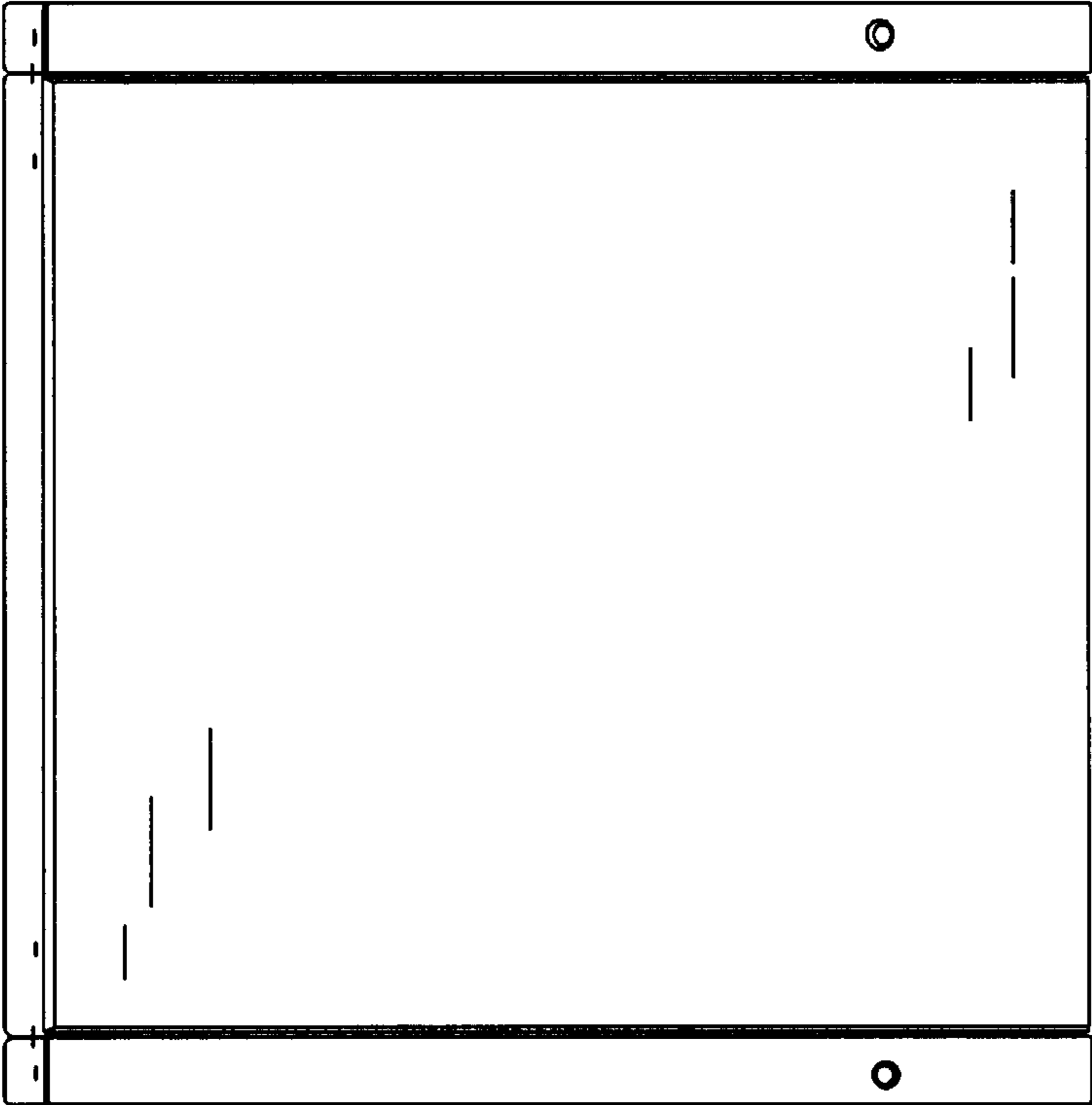


FIG. 6

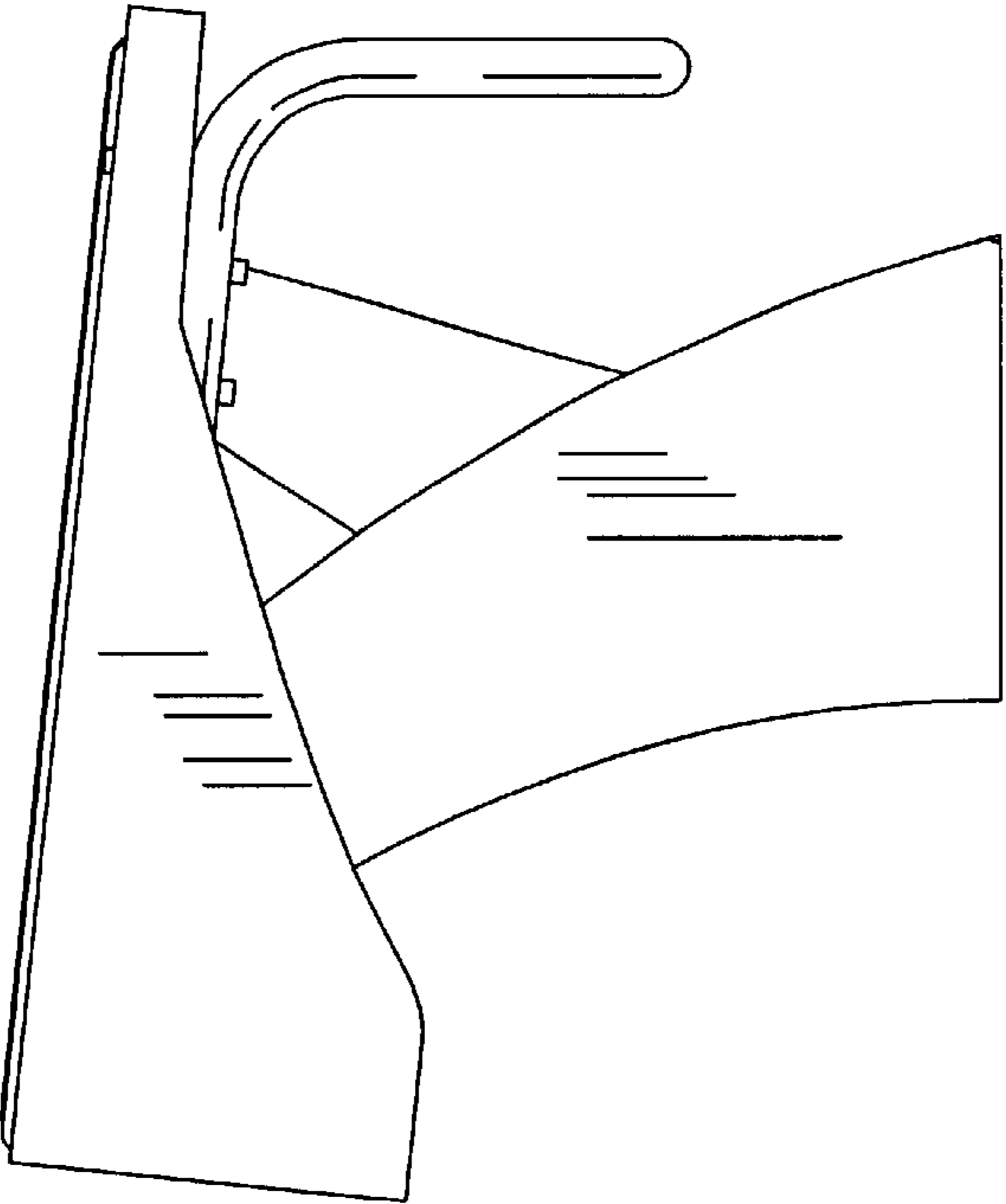


FIG. 5

