

US00D509275S

(12) **United States Design Patent**
Lau

(10) **Patent No.:** **US D509,275 S**
(45) **Date of Patent:** **** Sep. 6, 2005**

(54) **GOLF TRAINING MACHINE**

D424,647 S * 5/2000 Hayden D21/791

(75) **Inventor:** **Yuk Fai Lau, Kowloon (HK)**

* cited by examiner

(73) **Assignee:** **Tai Way (Shing Kee) Toys Co. Ltd.,
Kowloon (HK)**

Primary Examiner—Mitchell Siegel
(74) *Attorney, Agent, or Firm*—Rabin & Berdo, P.C.

(**) **Term:** **14 Years**

(57) **CLAIM**

(21) **Appl. No.:** **29/204,326**

The ornamental design for a golf training machine, as shown and described.

(22) **Filed:** **Apr. 28, 2004**

DESCRIPTION

(51) **LOC (8) Cl.** **21-02**

FIG. 1 is a perspective view of a golf training machine showing my new design;

(52) **U.S. Cl.** **D21/791**

FIG. 2 is a front view thereof;

(58) **Field of Search** D21/789, 791;
473/132–137, 278, 157, 400, 279, 386,
387

FIG. 3 is a rear view thereof;

FIG. 4 is a top view thereof;

FIG. 5 is a bottom view thereof;

FIG. 6 is a left side view thereof;

FIG. 7 is a right side view thereof; and,

FIG. 8 is a perspective view with parts in alternative position.

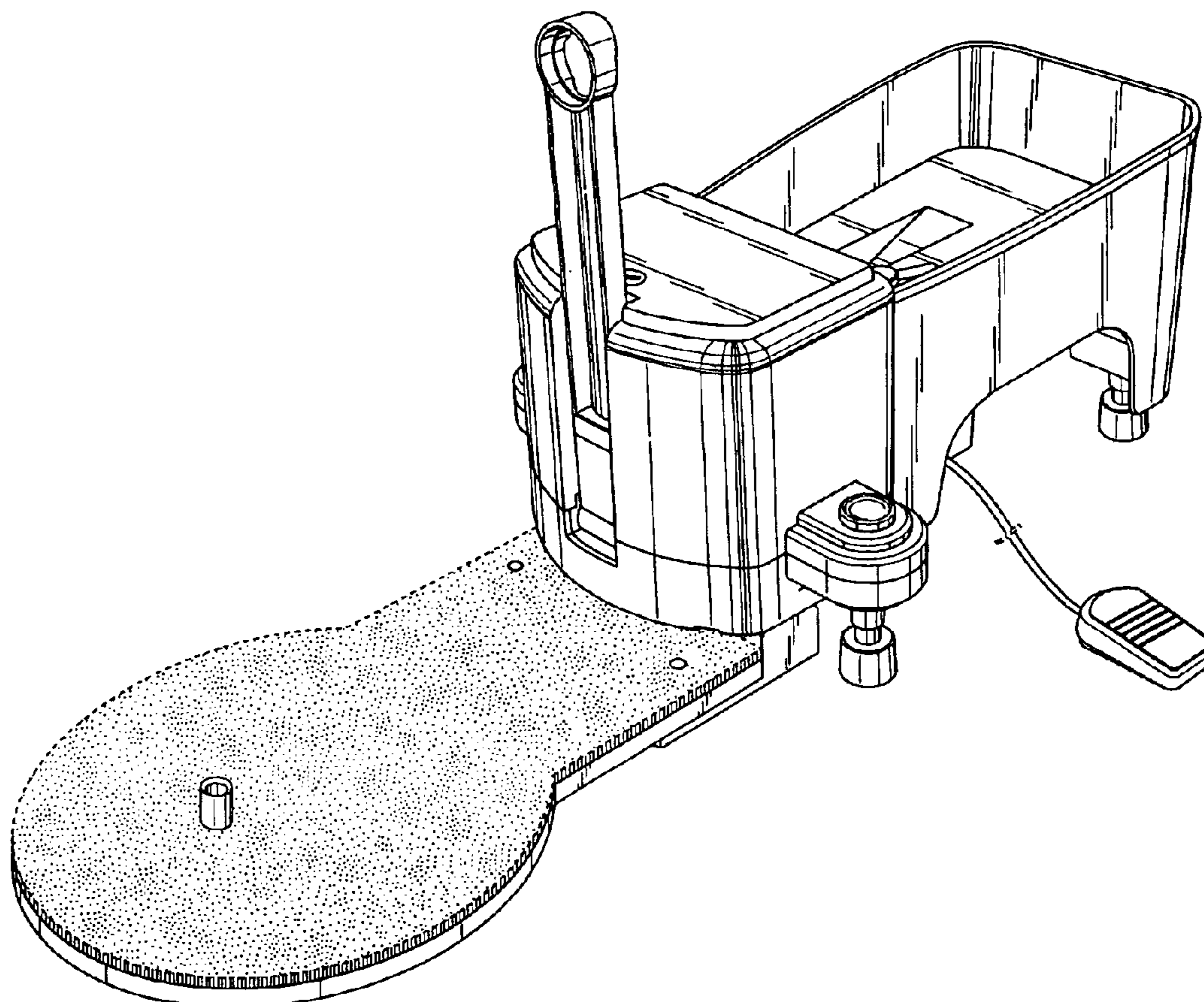
The broken line showing of is for illustrative purposes only and forms no part of the claimed design.

(56) **References Cited**

U.S. PATENT DOCUMENTS

5,096,200	A	*	3/1992	Komori et al.	473/136
D351,439	S	*	10/1994	Halpern	D21/720
5,411,267	A	*	5/1995	Burks et al.	473/133
D366,680	S	*	1/1996	Jantz et al.	D21/792
D416,971	S	*	11/1999	Yates	D21/789

1 Claim, 8 Drawing Sheets



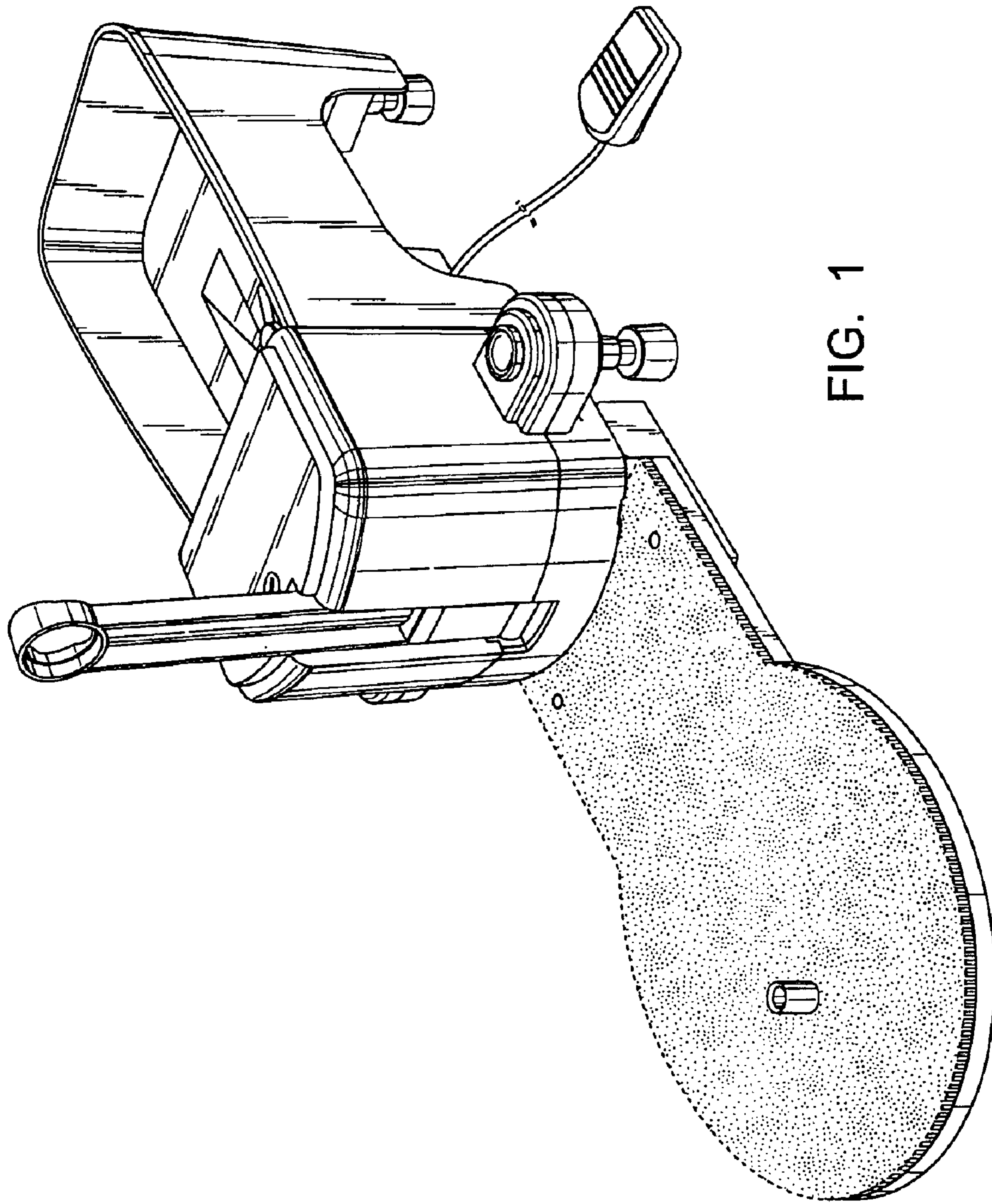


FIG. 1

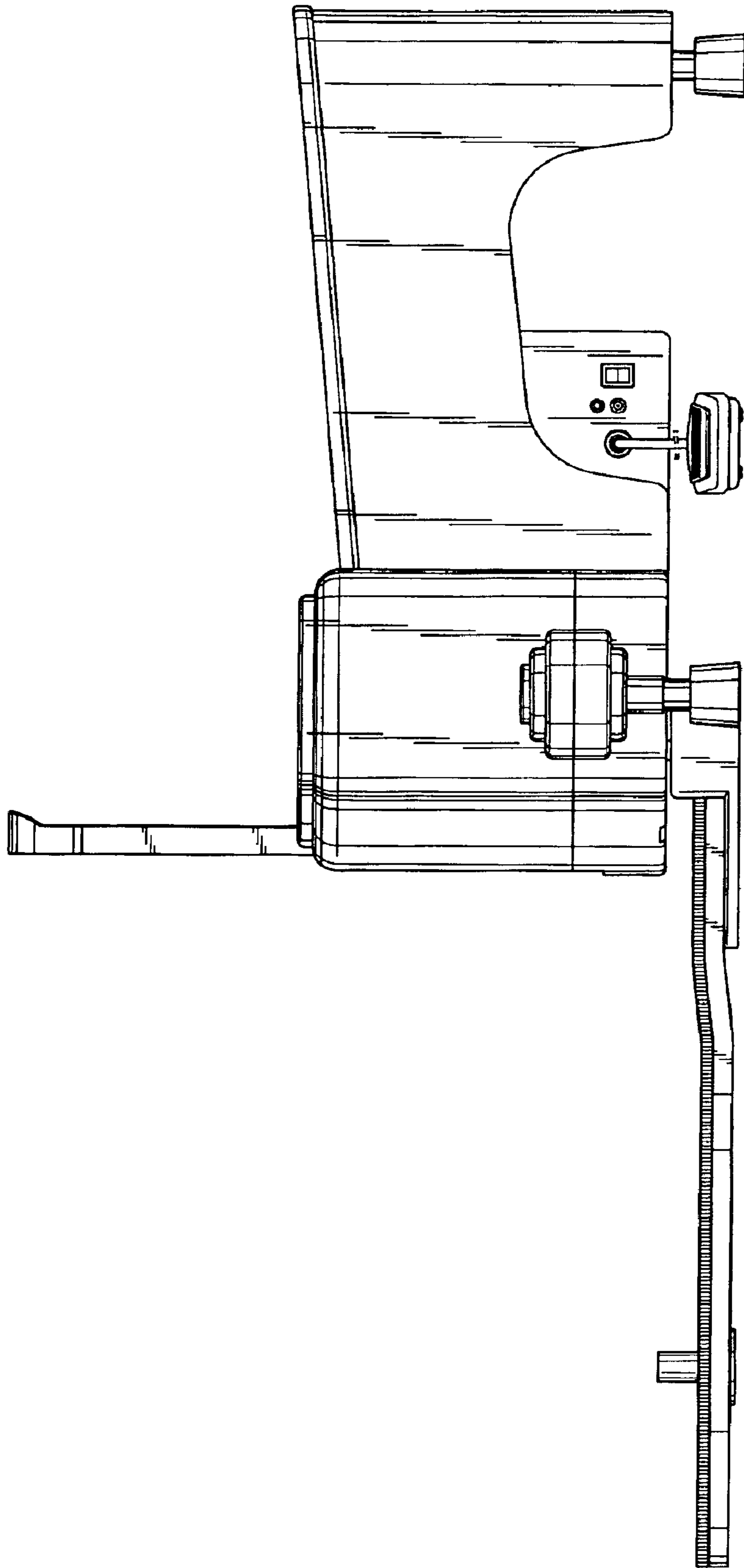


FIG. 2

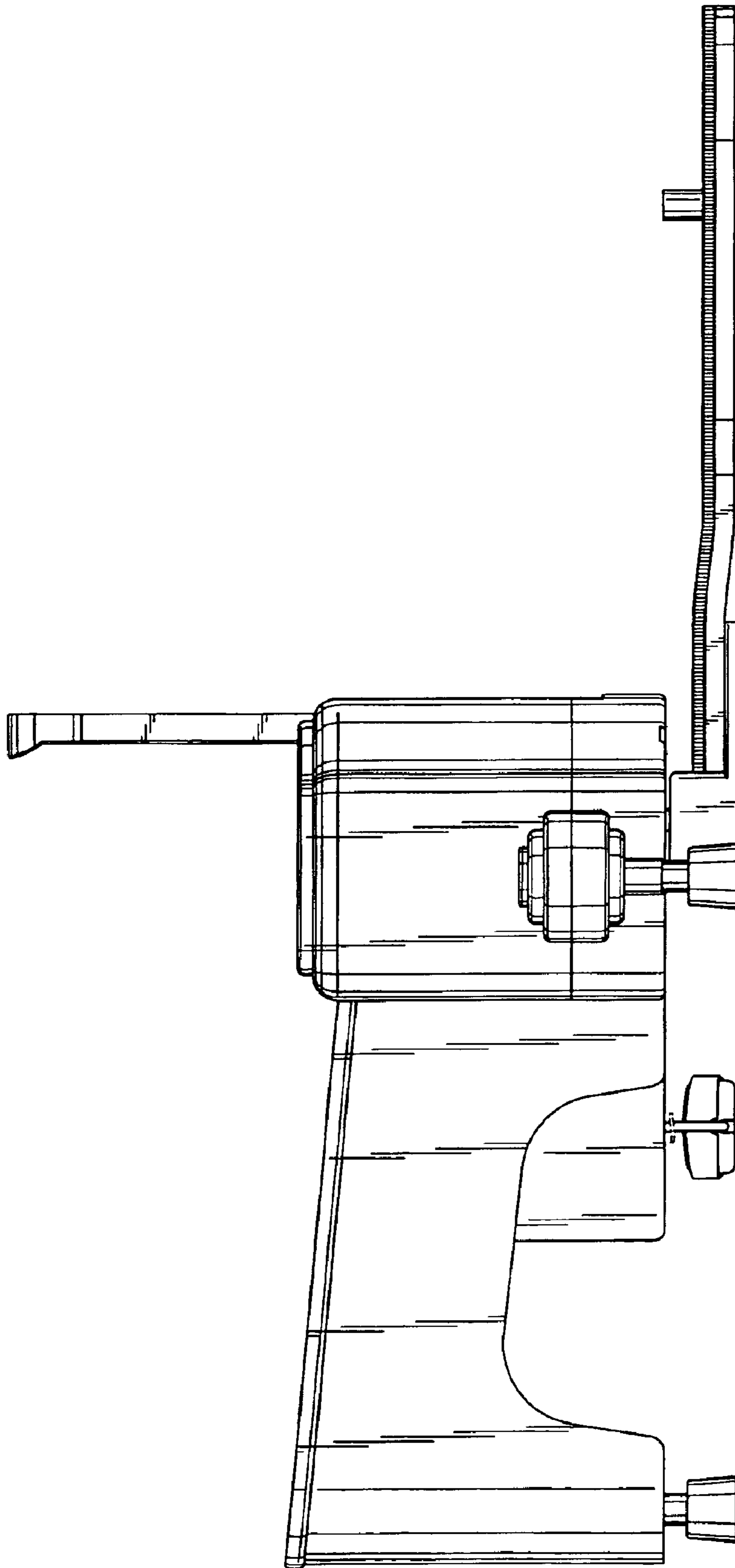


FIG. 3

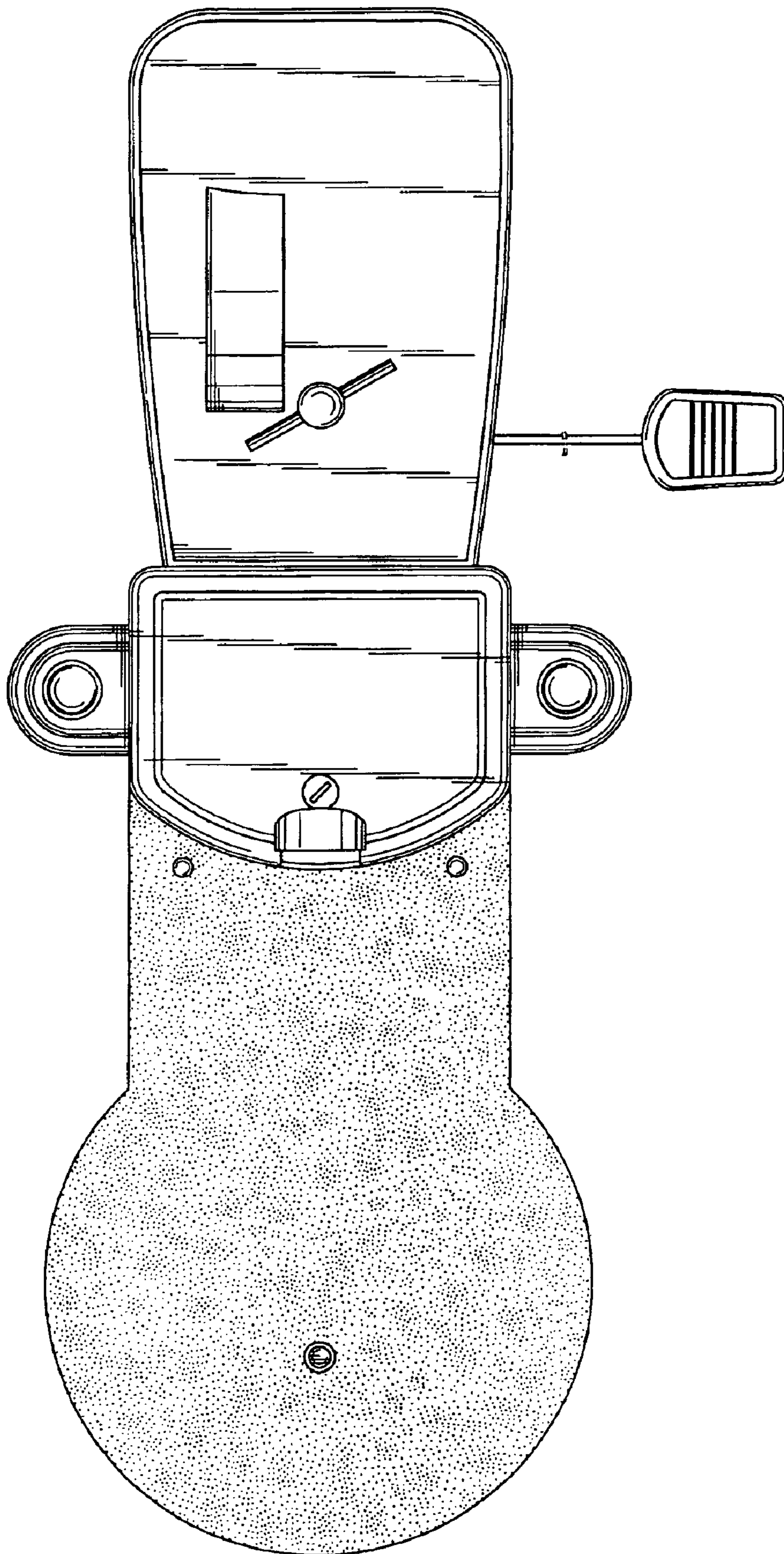


FIG. 4

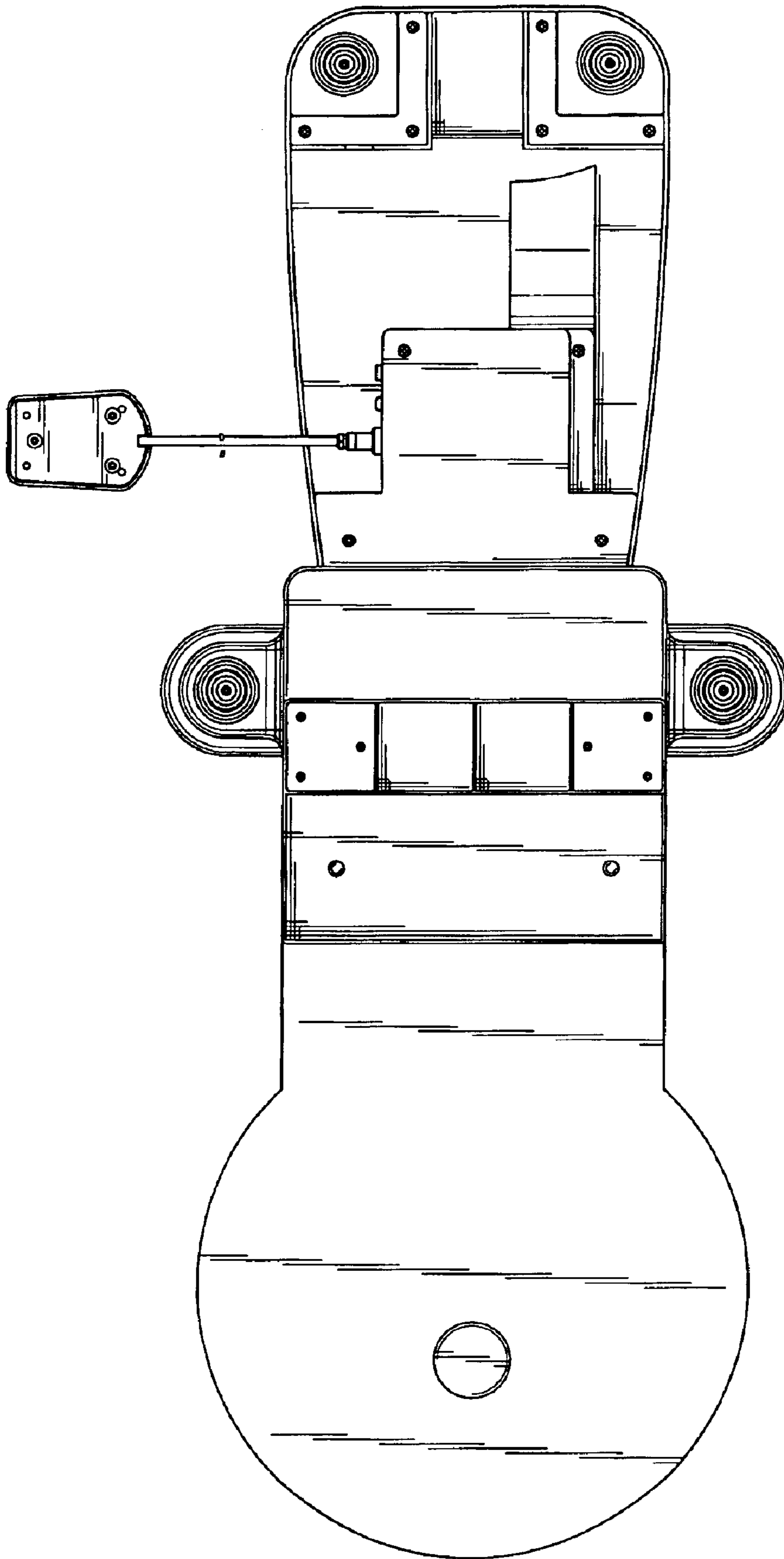


FIG. 5

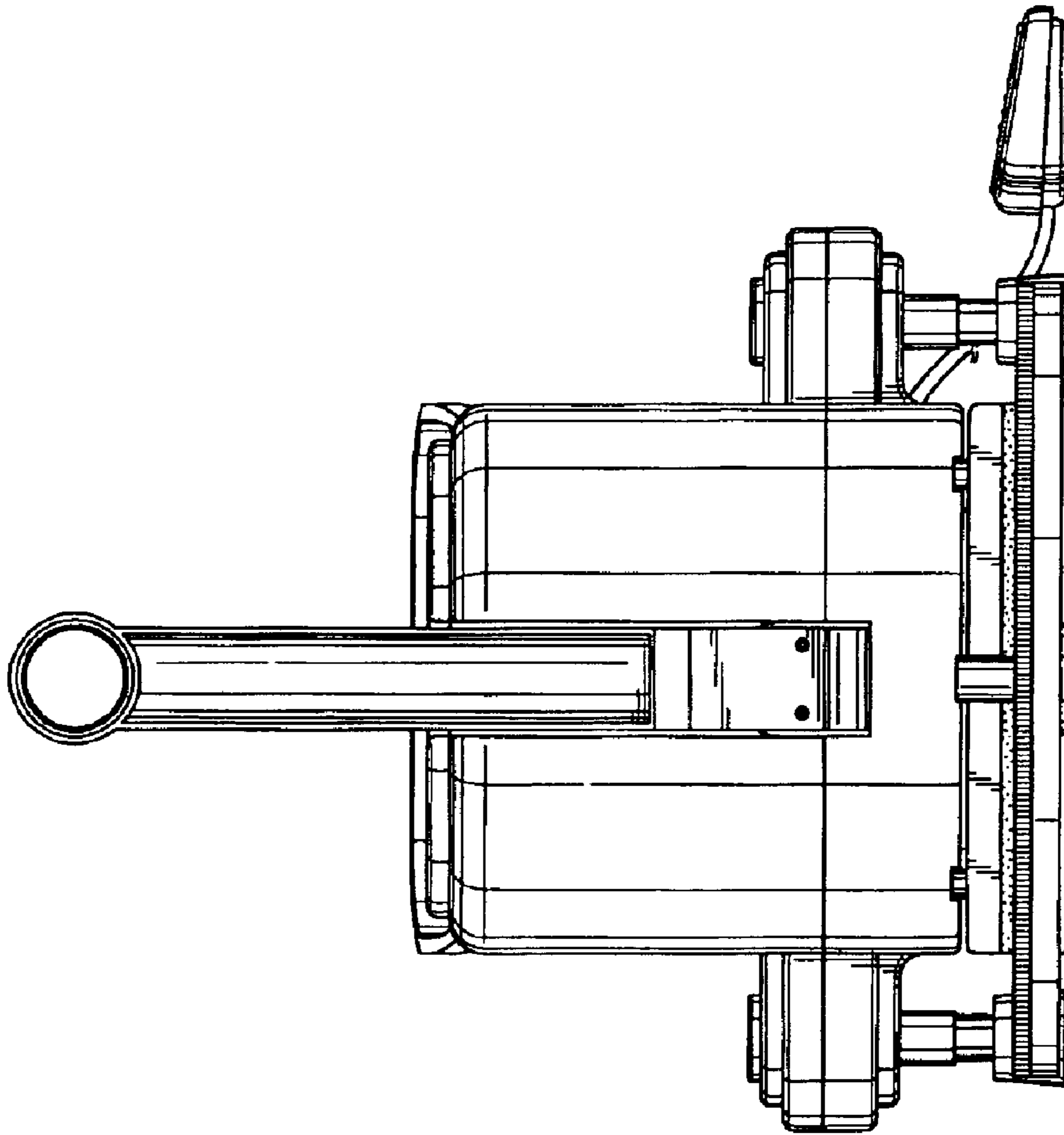


FIG. 6

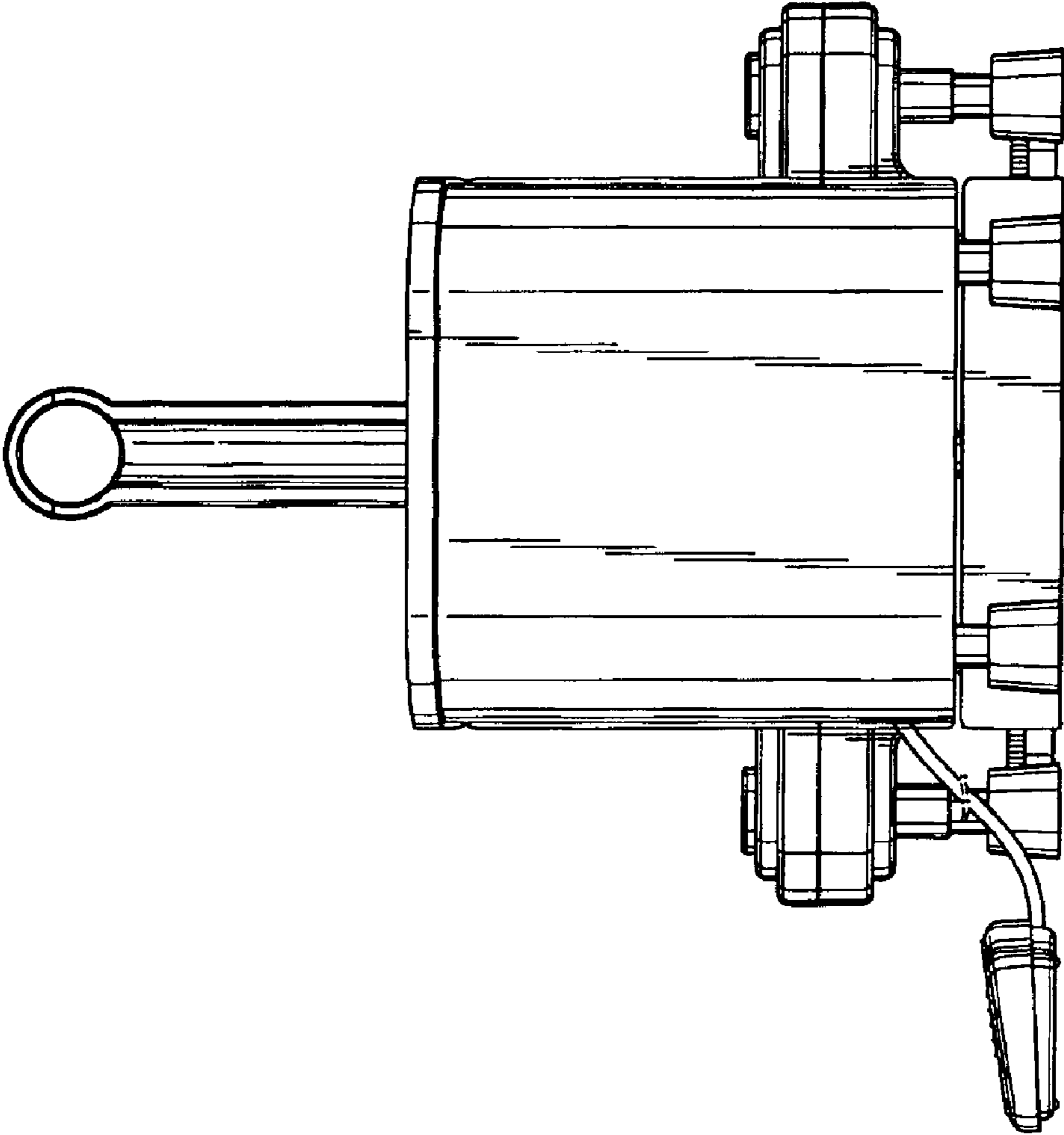


FIG. 7

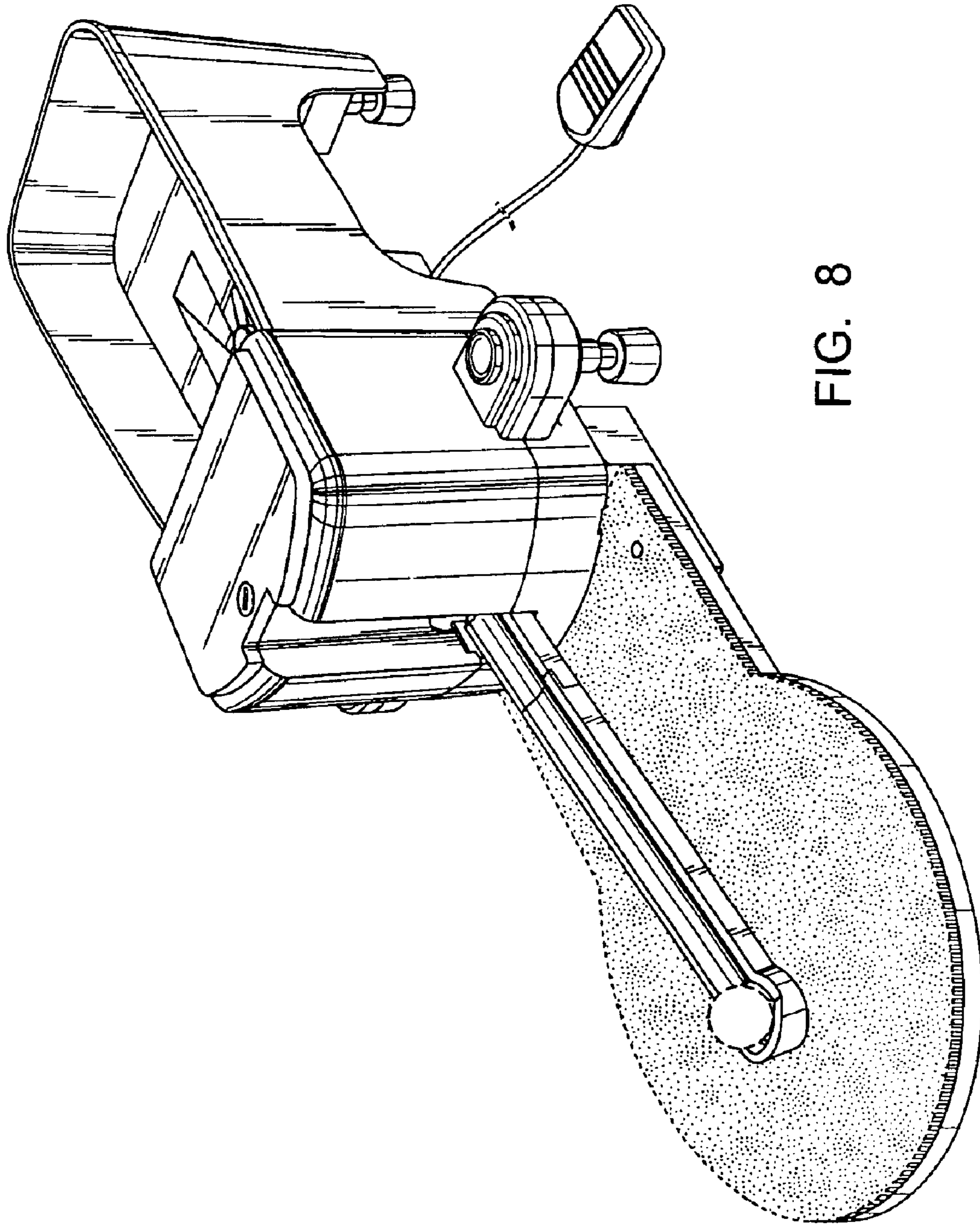


FIG. 8