

US00D509274S

(12) **United States Design Patent** (10) **Patent No.:** **US D509,274 S**
Bishop (45) **Date of Patent:** **** Sep. 6, 2005**

(54) **SNOW BOARD POLE**

(74) *Attorney, Agent, or Firm*—R. Michael West

(76) **Inventor:** **Philip E. Bishop**, 3466 Sylvan La.,
Placerville, CA (US) 95667

(57) **CLAIM**

The ornamental design for a snow board pole, as shown and described.

(**) **Term:** **14 Years**

DESCRIPTION

(21) **Appl. No.:** **29/219,743**

FIG. 1 is a rear perspective view of a snow board pole, taken to a reduced scale, showing my new design;
 FIG. 2 is a fragmentary front perspective view of the upper portion of the snow board pole;
 FIG. 3 is a top plan view, thereof;
 FIG. 4 is a bottom plan view, thereof;
 FIG. 5 is a rear elevational view, thereof;
 FIG. 6 is a side elevation of the snow board pole, the opposite side elevation is a mirror image thereof except for the continuous threading below the handle; and,
 FIG. 7 is a front elevational view, thereof.

(22) **Filed:** **Dec. 20, 2004**

(51) **LOC (8) Cl.** **21-02**

(52) **U.S. Cl.** **D21/775**

(58) **Field of Search** D21/775, 771;
D3/7, 12; 280/819–824; 135/74, 75

The broken line representation of the pole basket is included solely for illustrative purposes, forming no part of the claimed design.

(56) **References Cited**

U.S. PATENT DOCUMENTS

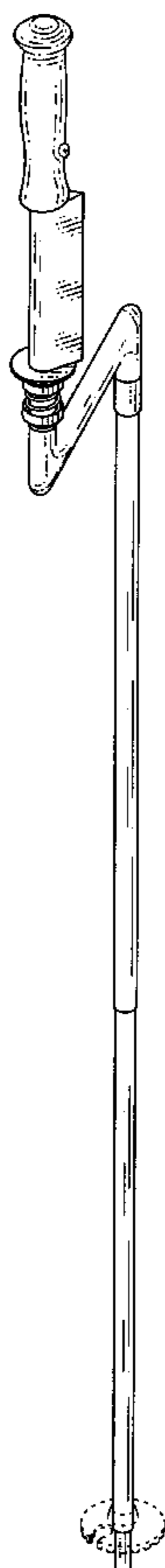
845,742	A	*	3/1907	Berger	135/75
4,301,201	A	*	11/1981	Stout	428/34.5
4,424,987	A	*	1/1984	Ryder	280/823
4,620,723	A	*	11/1986	Joseph	280/821
5,087,076	A	*	2/1992	Fagot et al.	280/819
5,139,283	A	*	8/1992	Dow et al.	280/819
5,236,223	A	*	8/1993	Leon et al.	280/821
6,733,042	B1	*	5/2004	Klemetti	280/819

The lower portion of the snow board pole has been omitted in FIG. 2 for ease of illustration. Portions of the shaft of the snow board pole are shown broken away in FIGS. 5, 6 and 7 for ease of illustration. The views in the drawings are shown on different scales.

* cited by examiner

Primary Examiner—Lucy Lieberman

1 Claim, 2 Drawing Sheets



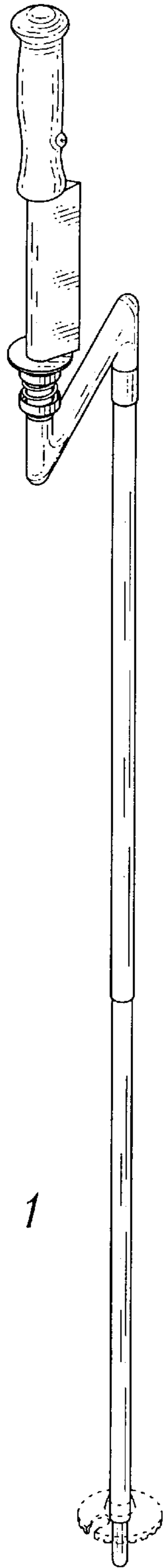


Fig. 1

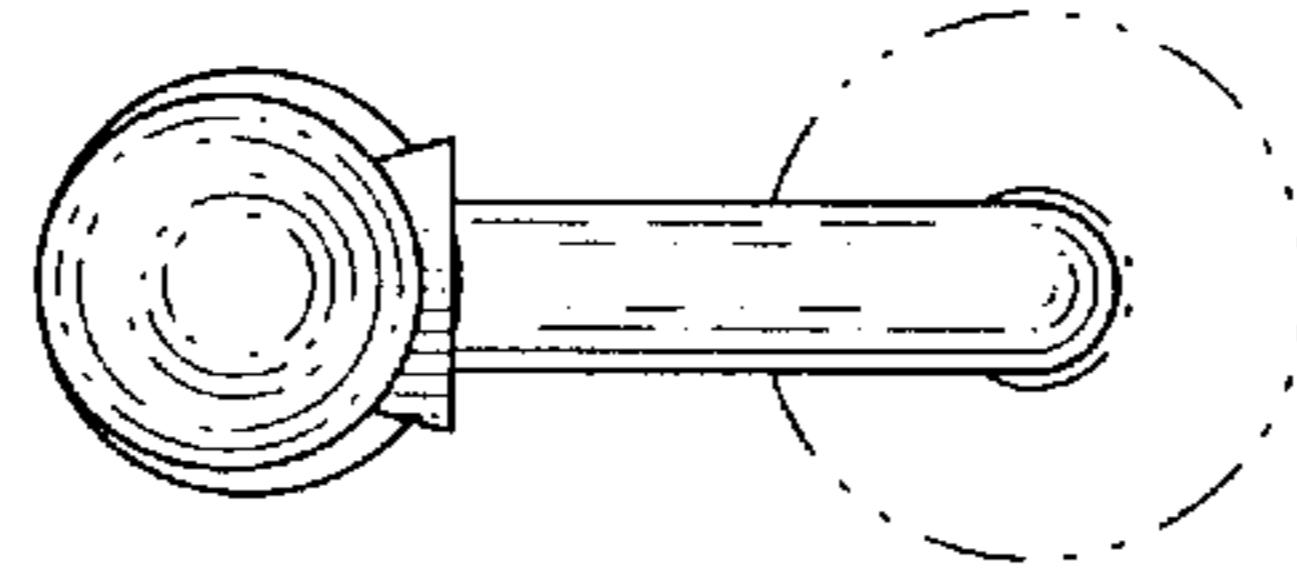


Fig. 3

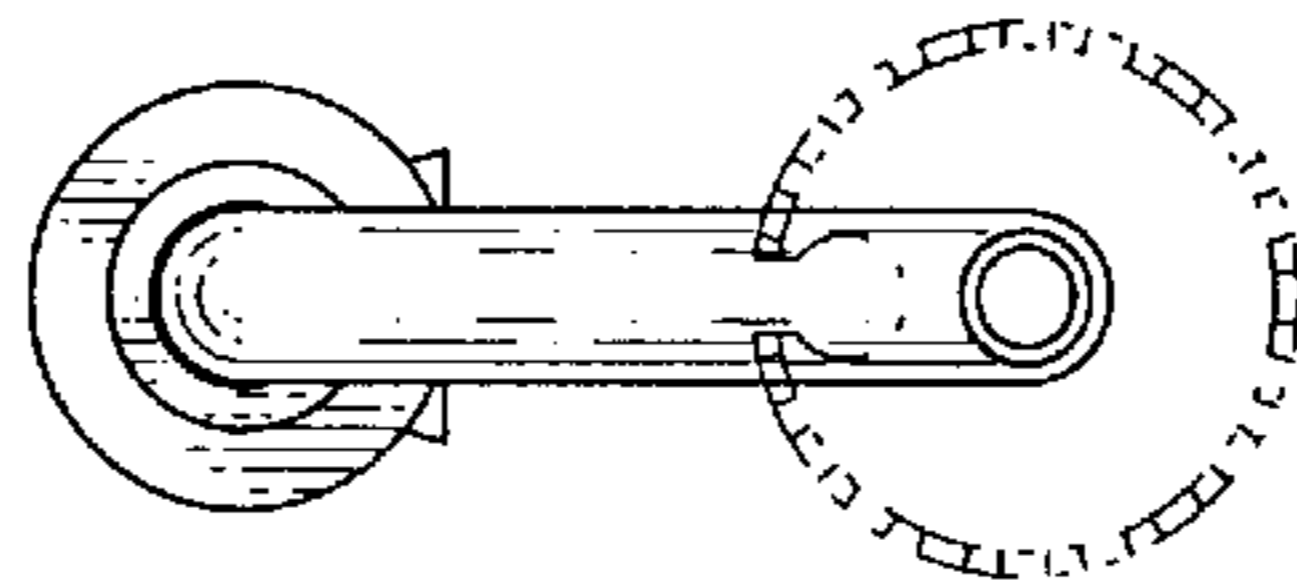


Fig. 4

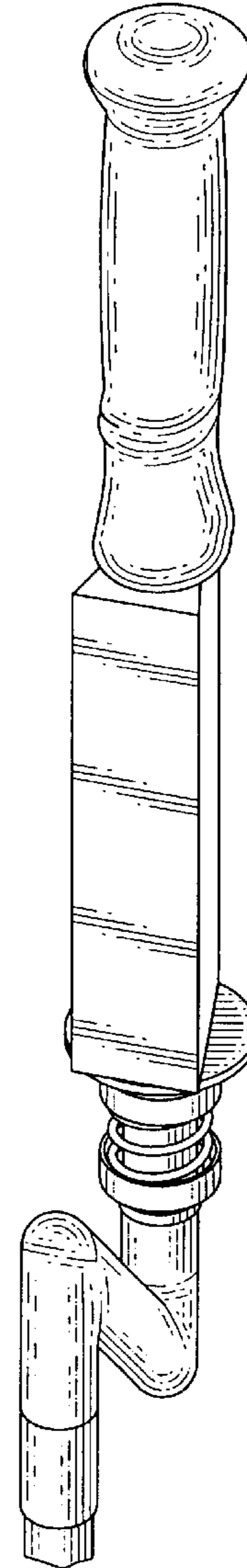


Fig. 2

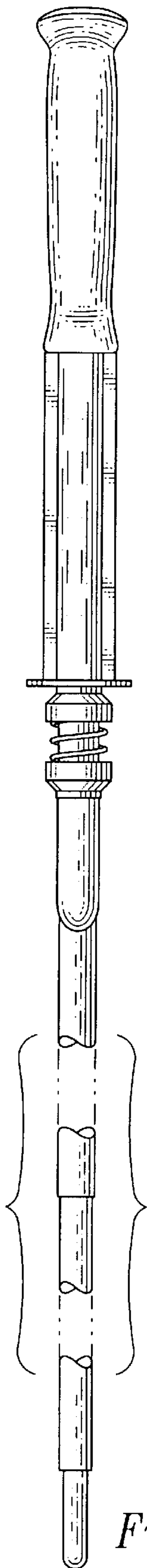


Fig. 5

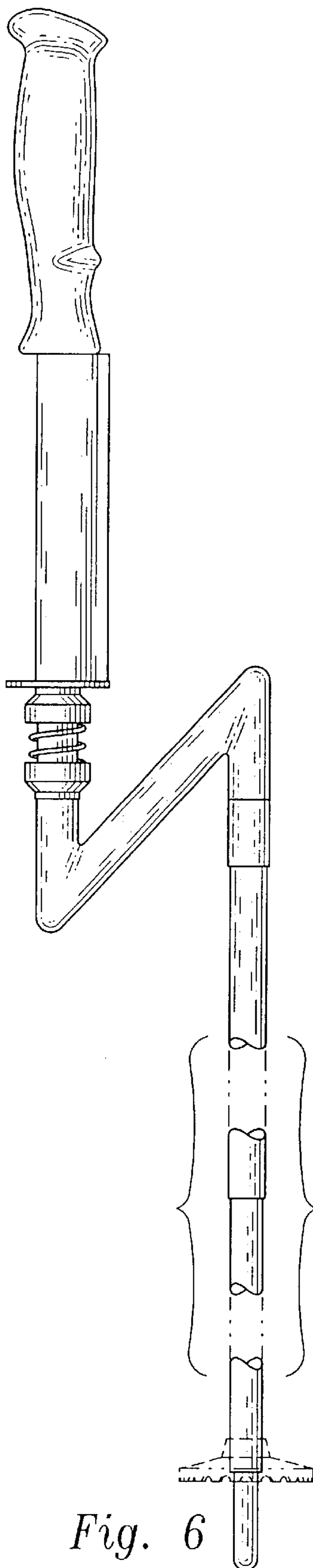


Fig. 6

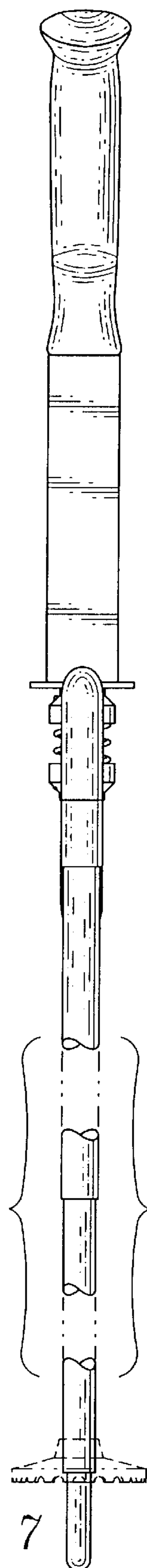


Fig. 7