

US00D509273S

(12) **United States Design Patent**
Morris et al.

(10) **Patent No.:** **US D509,273 S**
(45) **Date of Patent:** **** Sep. 6, 2005**

(54) **GOLF CLUB PUTTER HEAD**

(76) Inventors: **Brian G. Morris**, 2221 Home Park Cir., Jacksonville, FL (US) 32207;
James K. Morris, 1600 Jody Ct., Jacksonville, FL (US) 32259

(**) Term: **14 Years**

(21) Appl. No.: **29/195,113**

(22) Filed: **Dec. 8, 2003**

(51) **LOC (8) Cl.** **21-02**

(52) **U.S. Cl.** **D21/742**

(58) **Field of Search** D21/736-746;
473/324-331, 340, 341, 313, 251-256

(56) **References Cited**

U.S. PATENT DOCUMENTS

D262,984 S	*	2/1982	Jeghers	D21/740
D326,888 S	*	6/1992	Van Reuth	D21/738
D354,104 S	*	1/1995	Hardy	D21/739
D357,519 S	*	4/1995	Ellickson et al.	D21/738
5,700,207 A	*	12/1997	Guthrie et al.	473/313
5,716,290 A	*	2/1998	Baker et al.	473/313

D448,437 S	*	9/2001	Colucci	D21/736
D486,540 S	*	2/2004	Bettinardi	D21/738
D486,541 S	*	2/2004	Bettinardi	D21/738

* cited by examiner

Primary Examiner—Mitchell Siegel

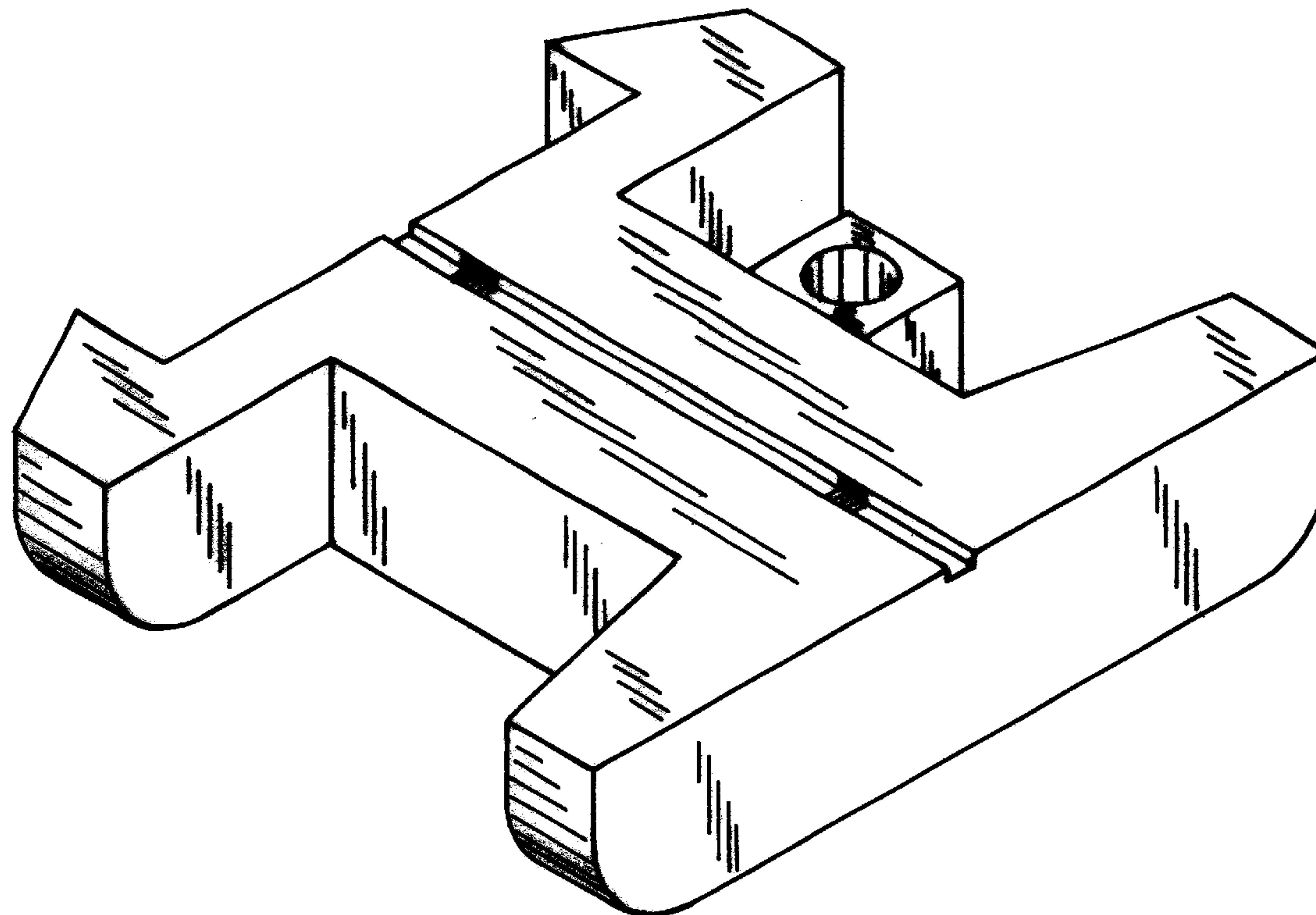
(57) **CLAIM**

The ornamental design for a golf club putter head, as described.

DESCRIPTION

FIG. 1 is an isometric view from the front showing my new design;
FIG. 2 is a right side elevation view thereof;
FIG. 3 is a left side elevation view thereof;
FIG. 4 is an isometric view from the rear thereof;
FIG. 5 is a top plan view thereof;
FIG. 6 is a front face elevation view thereof;
FIG. 7 is a back face elevation view thereof;
FIG. 8 is a transverse section view thereof;
FIG. 9 is a longitudinal section view thereof; and,
FIG. 10 is a bottom plan view thereof.

1 Claim, 4 Drawing Sheets



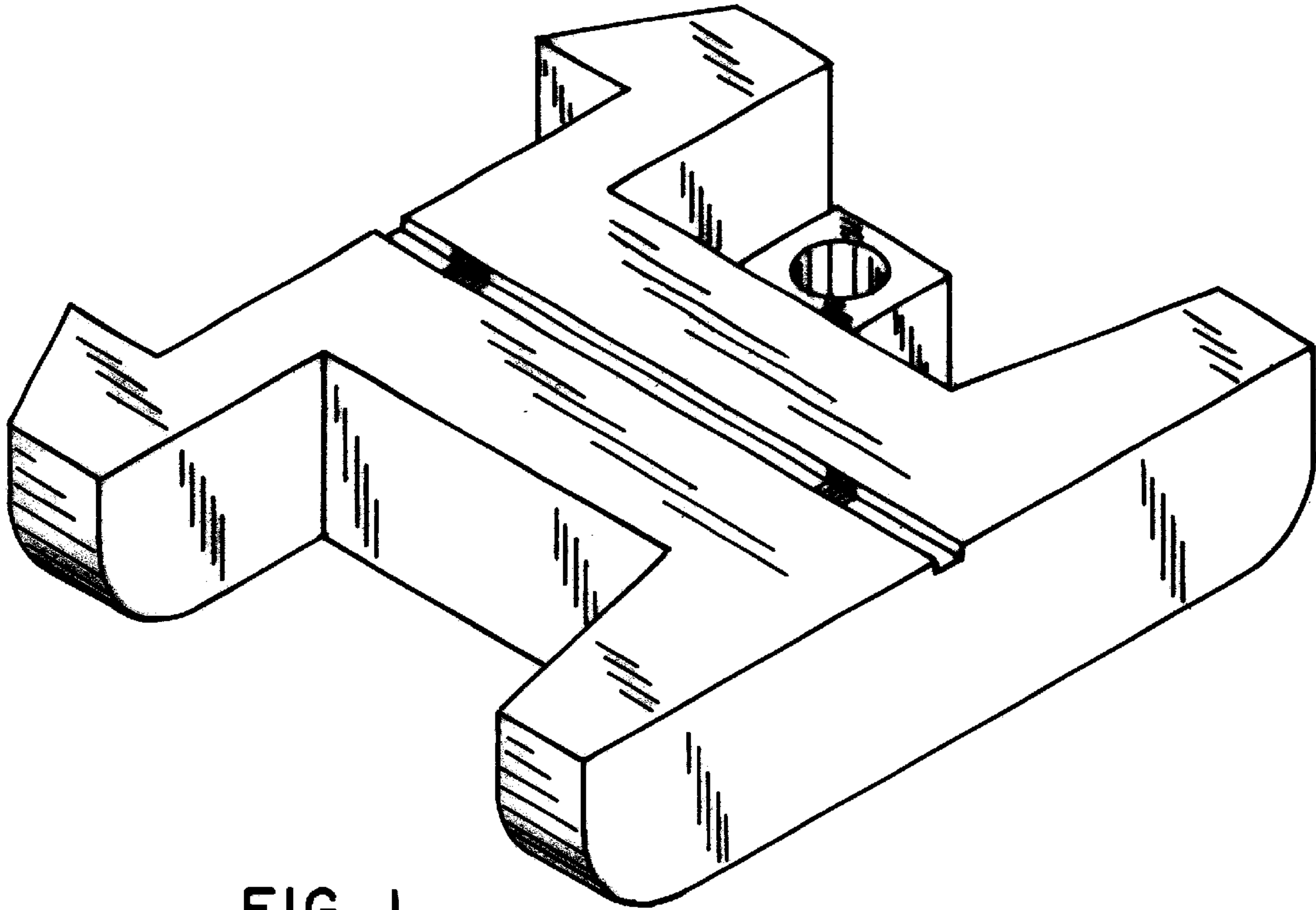


FIG. 1

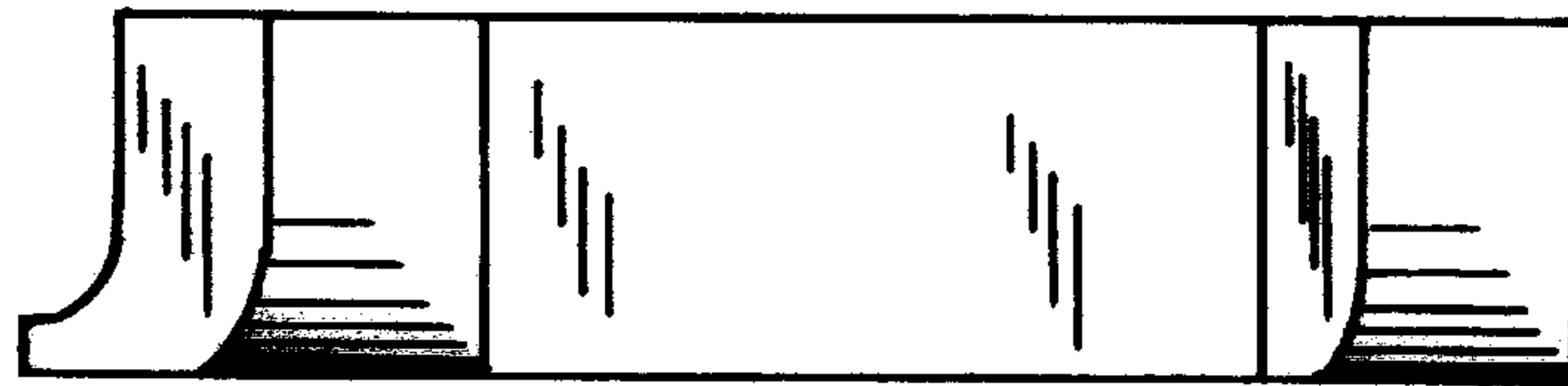


FIG. 2

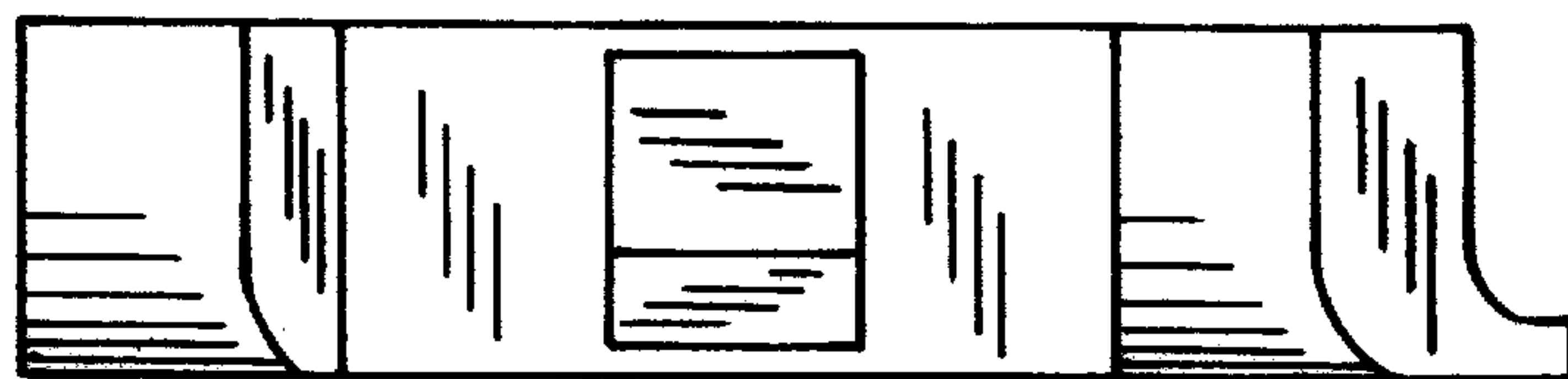


FIG. 3

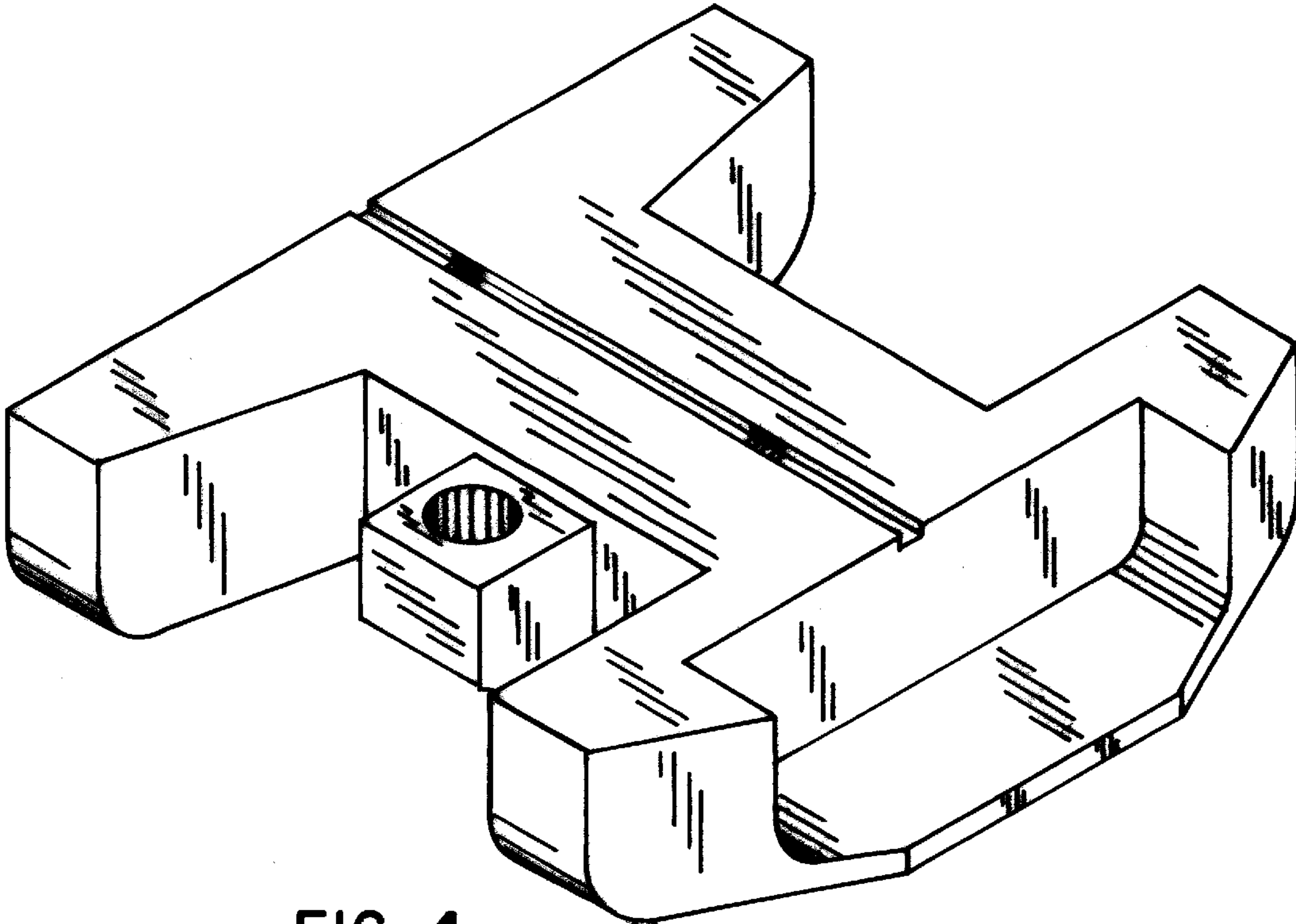


FIG. 4

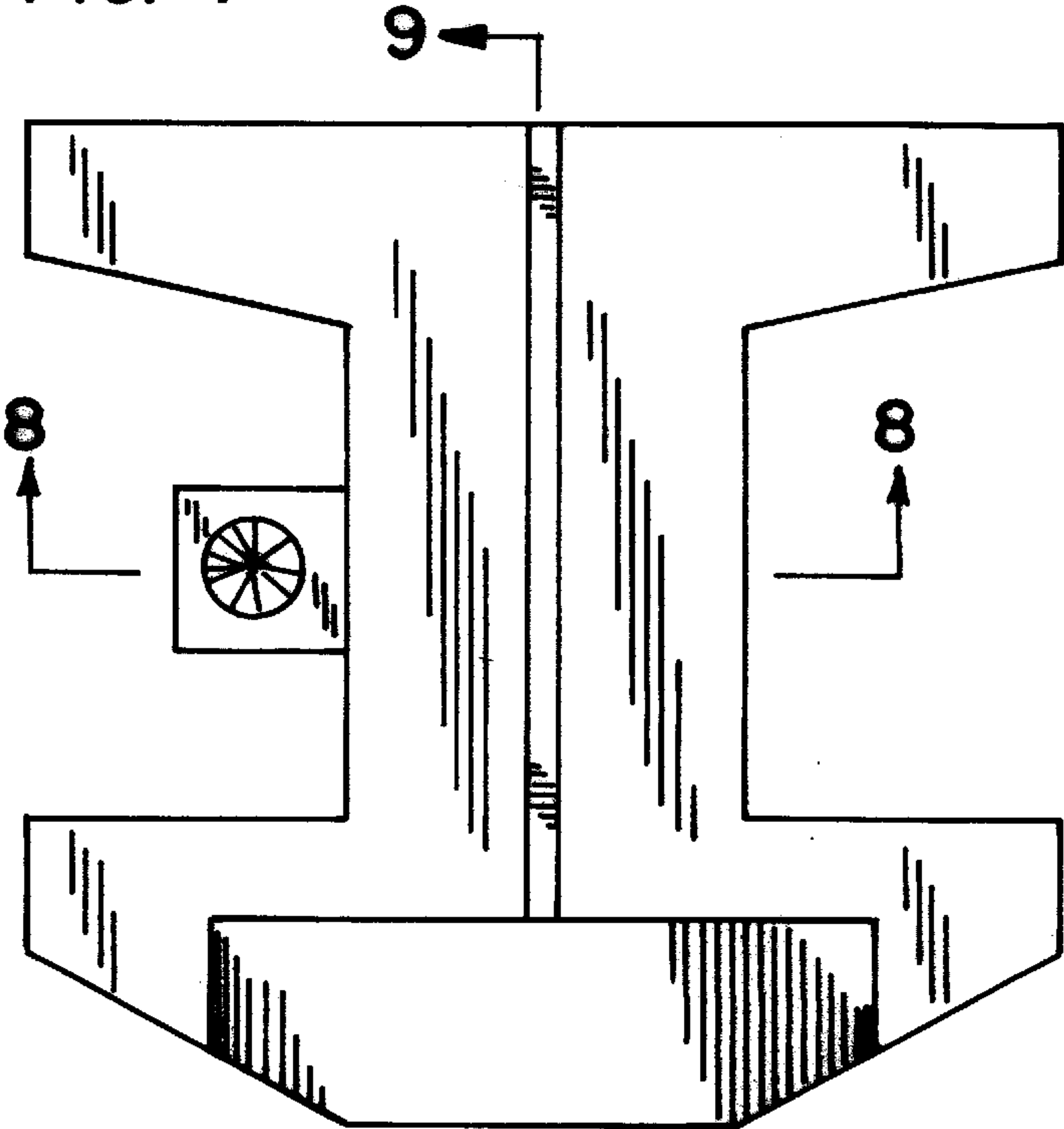


FIG. 5

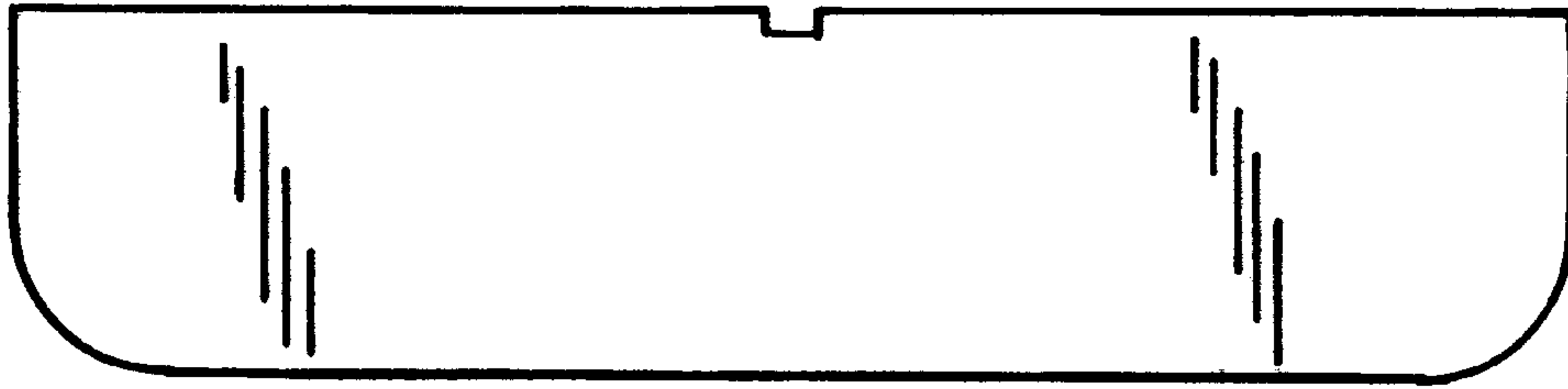


FIG. 6

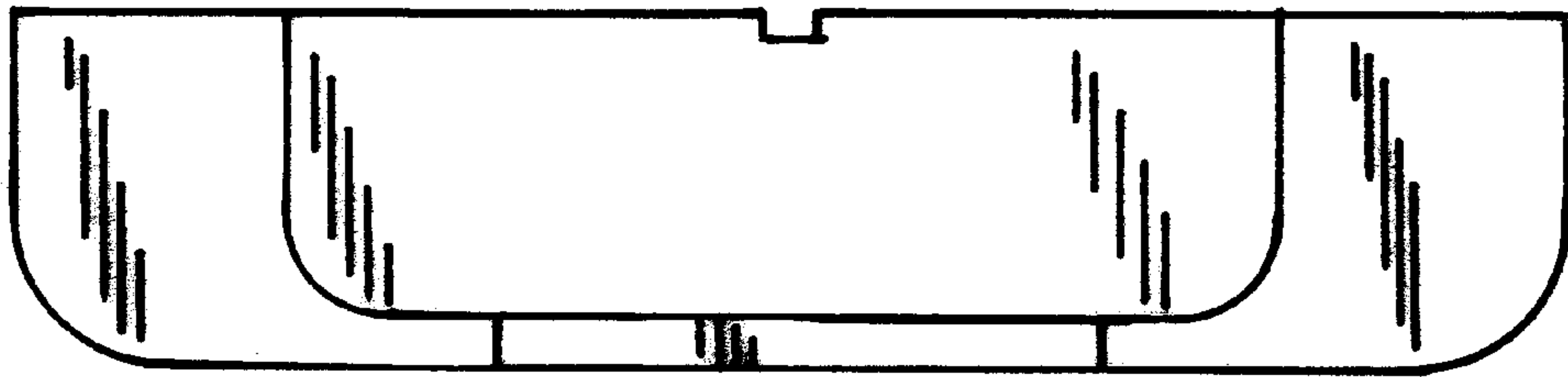


FIG. 7

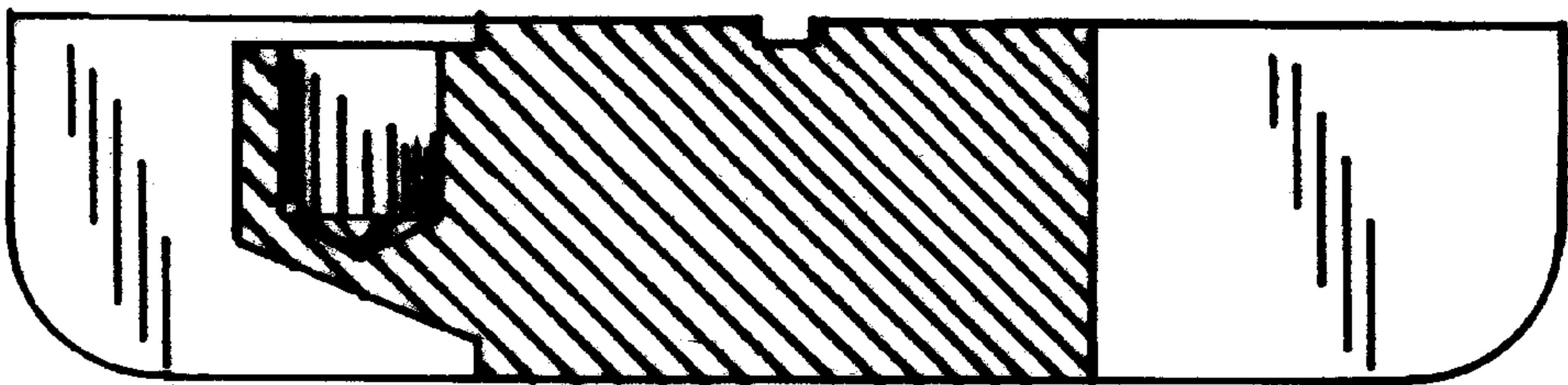


FIG. 8

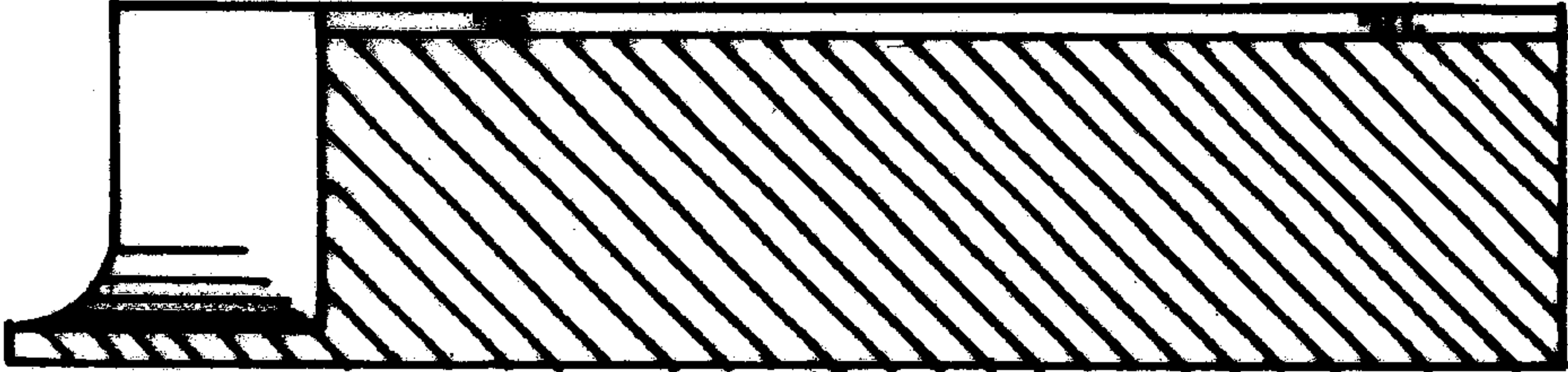


FIG. 9

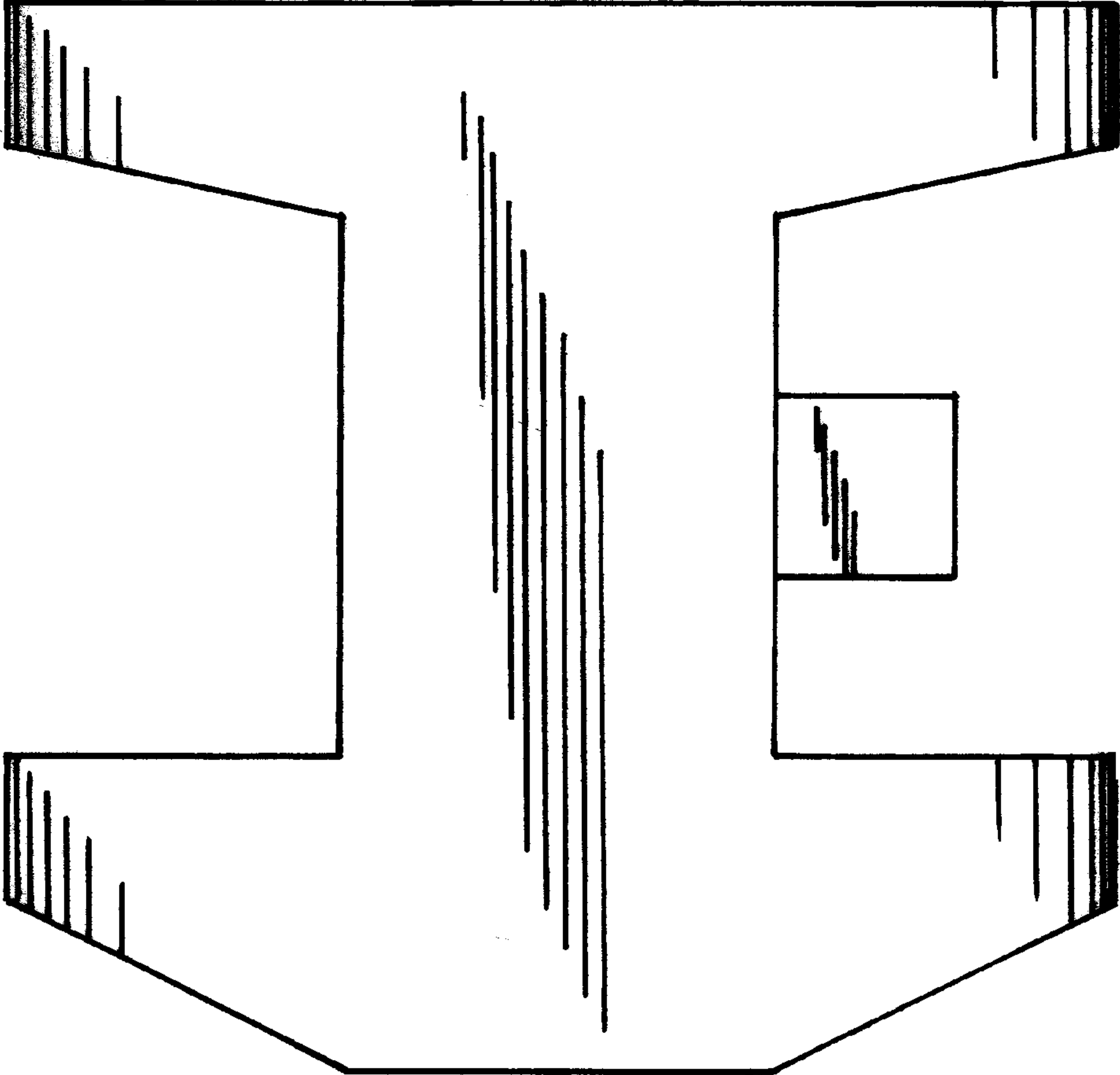


FIG. 10