

US00D509267S

(12) **United States Design Patent** (10) **Patent No.:** **US D509,267 S**  
**Robinson** (45) **Date of Patent:** **\*\* Sep. 6, 2005**

(54) **BOY TOY FIGURE**

D486,191 S \* 2/2004 Robinson ..... D21/578

(76) Inventor: **Dyke N. Robinson**, 3710 Havenmoor Pl., Katy, TX (US) 77449

(\*\*) Term: **14 Years**

(21) Appl. No.: **29/216,337**

(22) Filed: **Nov. 2, 2004**

(51) **LOC (8) Cl.** ..... **21-01**

(52) **U.S. Cl.** ..... **D21/578; D21/594; D21/621; D21/622**

(58) **Field of Search** ..... D21/576, 578–584, D21/585, 593, 594, 621, 622, 623, 627, 631, 630, 640, 645–649; D11/160; 446/268, 279, 97–101, 285, 316, 297–303, 317, 355, 376–384

(56) **References Cited**

**U.S. PATENT DOCUMENTS**

3,579,901 A \* 5/1971 Perhacs, Jr. .... 446/271  
D253,711 S \* 12/1979 Christiansen et al. .... D21/621  
D288,831 S \* 3/1987 Man ..... D21/578  
D290,032 S \* 5/1987 Horiuchi ..... D21/578  
D290,146 S \* 6/1987 Horiuchi ..... D21/578  
4,673,371 A \* 6/1987 Furukawa ..... 446/175  
4,752,272 A \* 6/1988 Karasawa ..... 446/289  
D304,962 S \* 12/1989 Watanabe ..... D21/578  
6,461,217 B1 \* 10/2002 Pestonji ..... 446/297

**OTHER PUBLICATIONS**

Hong Kong Toys, 1987, p. 56, robots by Topmark International Limited.\*

Hong Kong Toys, vol. 1, 1995, p. 423 robot toys.\*

Chiasso Catalog, Summer, 2001, p. 30, "Intellibot" robot.\*

FAO Schwarz, Holiday, 2001, p. 65, toy robots.\*

\* cited by examiner

*Primary Examiner*—Lucy Lieberman

(74) *Attorney, Agent, or Firm*—Darcell Walker

(57) **CLAIM**

The ornamental design for a boy toy figure, as shown and described.

**DESCRIPTION**

FIG. 1 is a top plan view of a boy toy figure showing my new design;

FIG. 2 is a front elevation thereof;

FIG. 3 is a right side elevation thereof;

FIG. 4 is a rear elevation thereof;

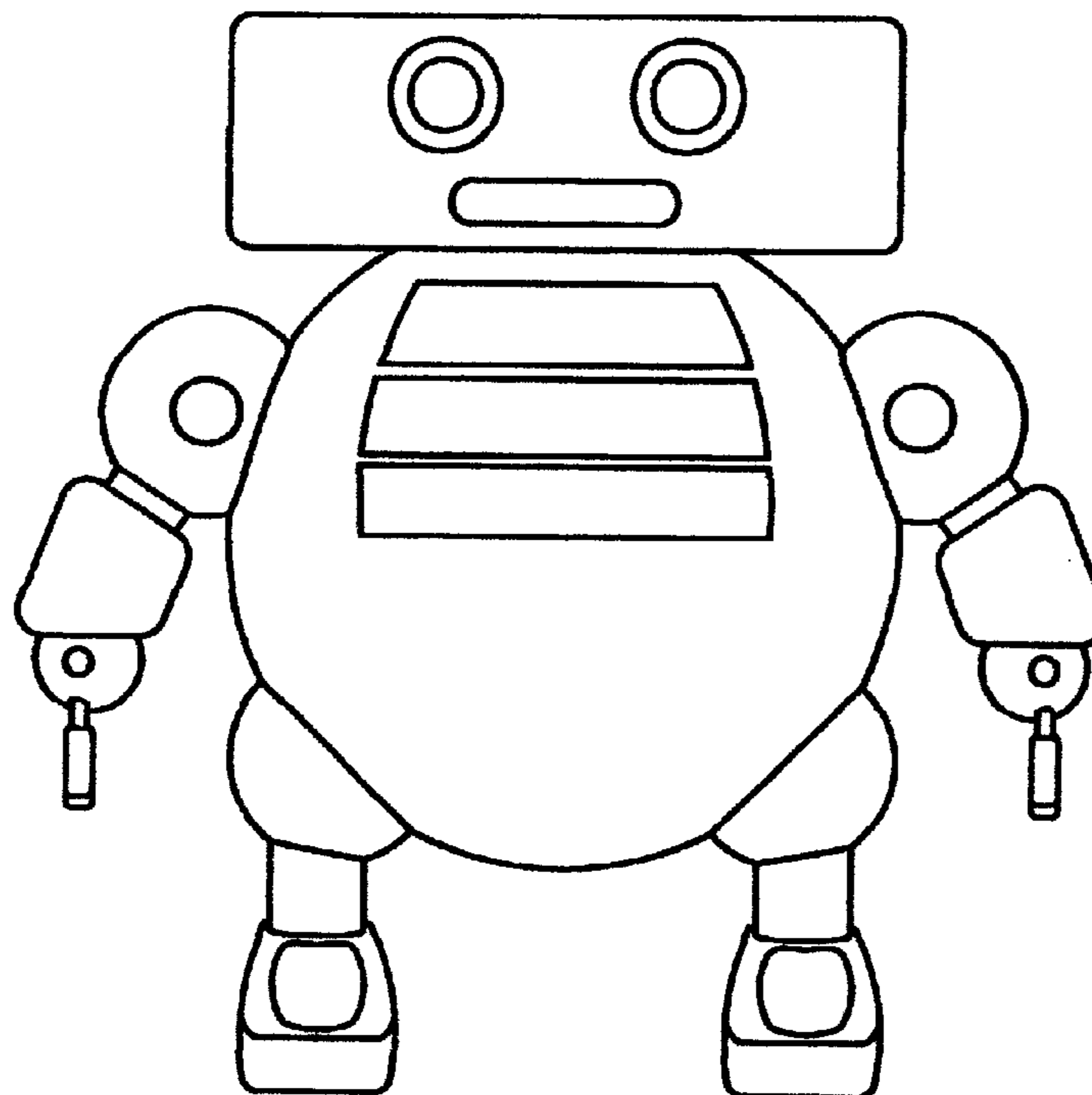
FIG. 5 is a left side elevation thereof;

FIG. 6 is a bottom plan view thereof; and,

FIG. 7 is a perspective view thereof.

FIG. 7 is shown on an enlarged scale.

**1 Claim, 3 Drawing Sheets**



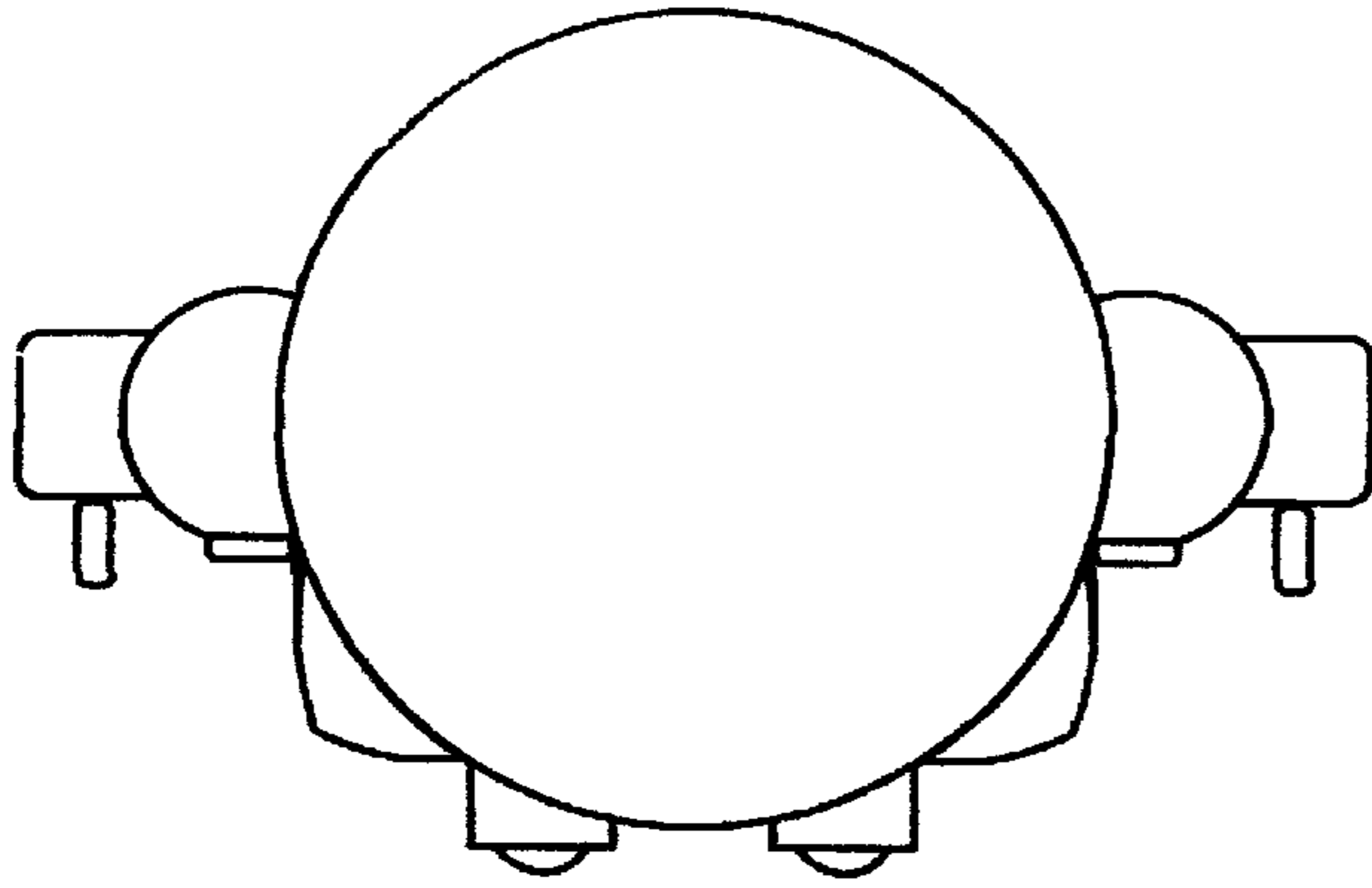


FIG. 1

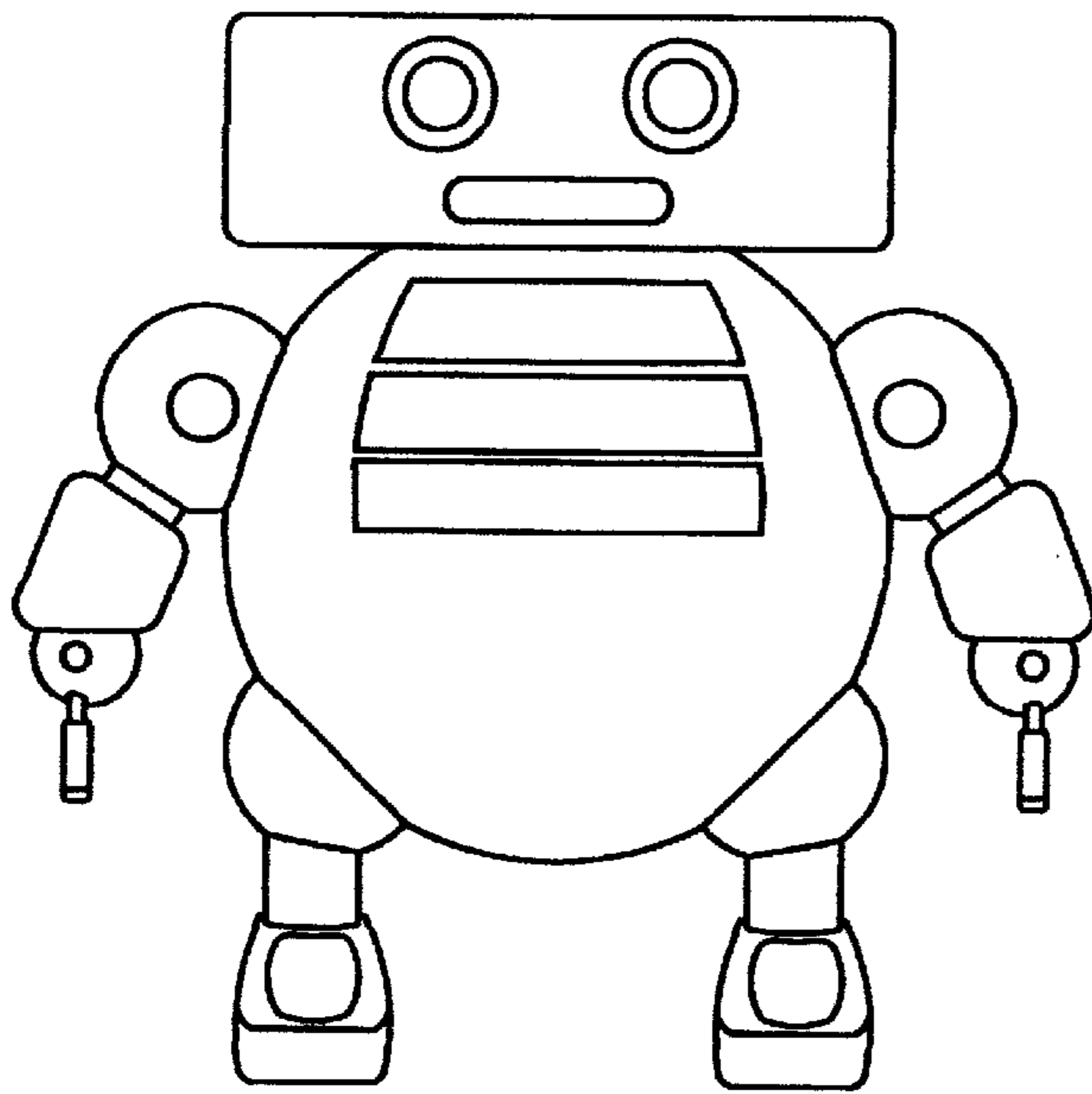


FIG. 2

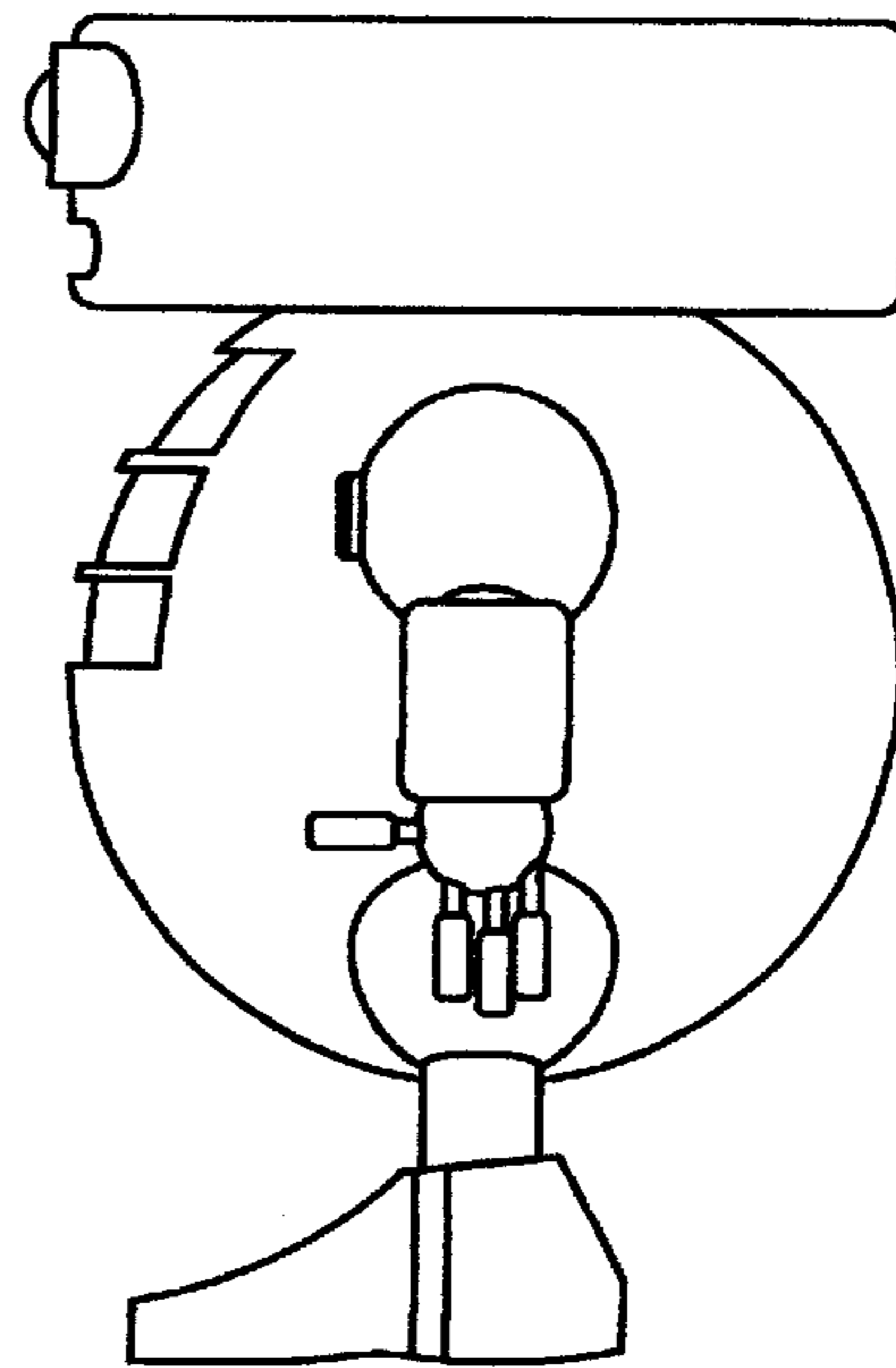


FIG. 3

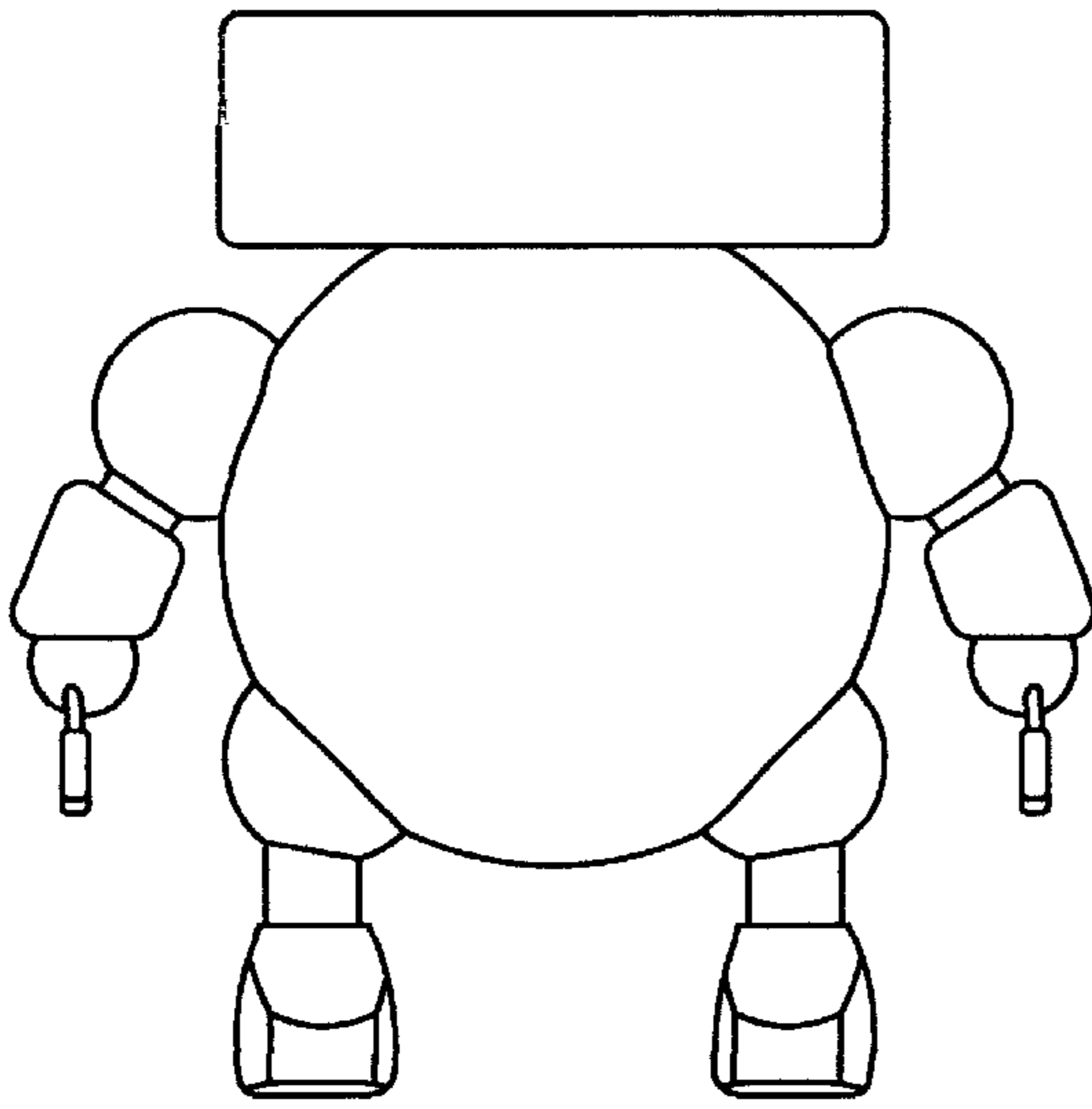


FIG. 4

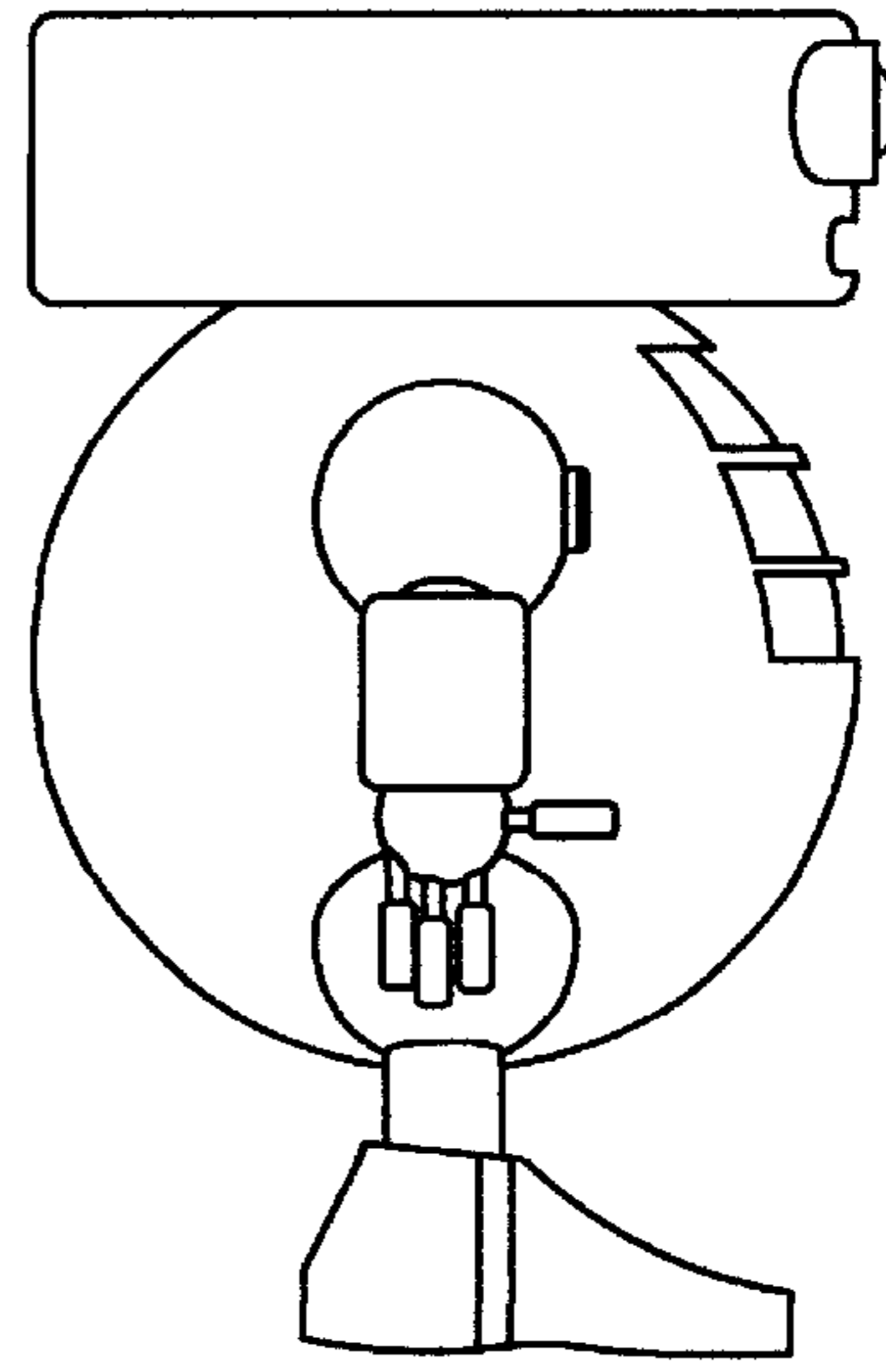


FIG. 5

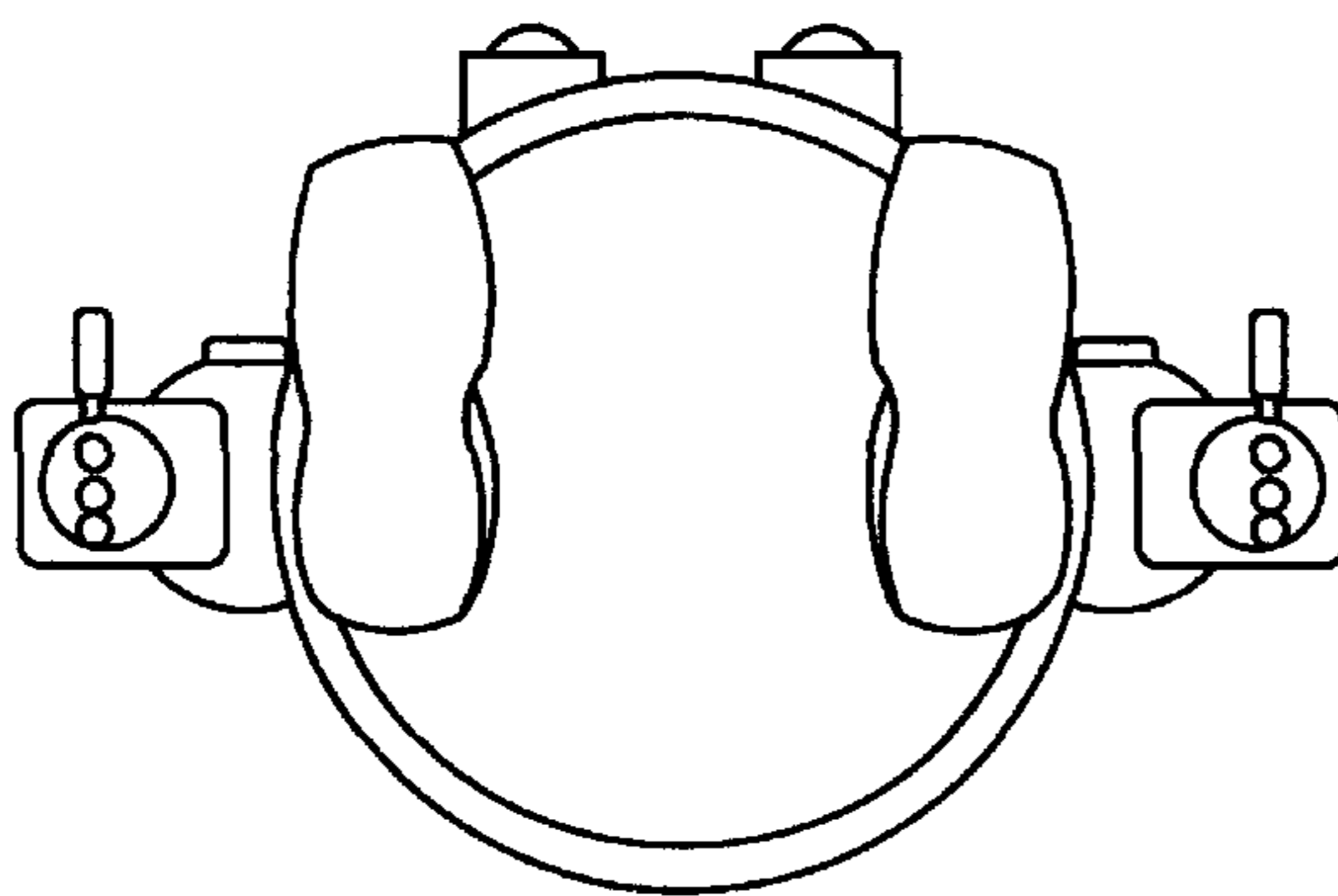


FIG. 6

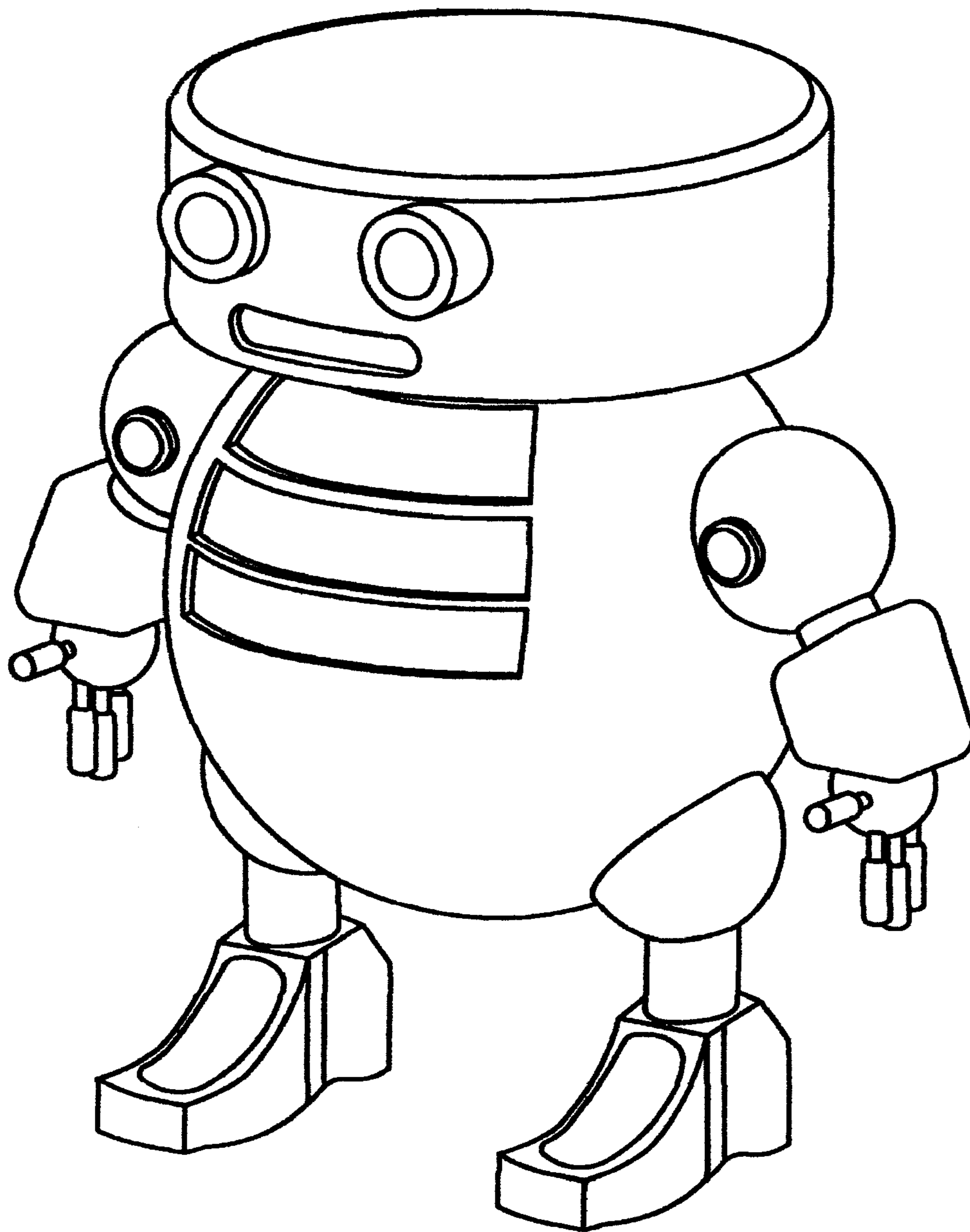


FIG. 7