



US00D509264S

(12) **United States Design Patent**
Wei

(10) **Patent No.:** **US D509,264 S**
(45) **Date of Patent:** **** Sep. 6, 2005**

(54) **REMOTE CONTROL TOY CAR**

(75) **Inventor:** **Lim Ming Wei, Prai Penang (MY)**

(73) **Assignee:** **Nikko Electronics Bhd. (MY)**

(**) **Term:** **14 Years**

(21) **Appl. No.:** **29/196,365**

(22) **Filed:** **Dec. 29, 2003**

(51) **LOC (8) Cl.** **21-01**

(52) **U.S. Cl.** **D21/550**

(58) **Field of Search** D21/433-434,
D21/533, 548-550, 552, 556, 559, 576-582,
584; D12/93, 96-98, 87-88; 446/93, 95,
465, 469-471, 441, 444, 448-451, 454-457

(56) **References Cited**

U.S. PATENT DOCUMENTS

D222,919 S	*	2/1972	Chapman	D12/88
D255,810 S	*	7/1980	Bretschger	D21/550
D359,082 S	*	6/1995	Aker et al.	D21/550
D397,380 S	*	8/1998	Araki et al.	D21/550
D410,258 S	*	5/1999	Lerch	D21/551
D465,814 S	*	11/2002	Koveleski	D21/433
D496,075 S	*	9/2004	Byrne	D21/550

OTHER PUBLICATIONS

Paul's Model Art catalog, cover, 1995.*
Hong Kong Toys, p. 242, 1988.*

* cited by examiner

Primary Examiner—Raphael Barkai

(74) *Attorney, Agent, or Firm*—Young Law Firm, P.C.

(57) **CLAIM**

The ornamental design for a remote control toy car, as shown.

DESCRIPTION

FIG. 1 is a front perspective view of a remote control toy car according to the present invention.

FIG. 2 is a rear view of the remote control toy car of FIG. 1.

FIG. 3 is a front view of the remote control car of FIG. 1.

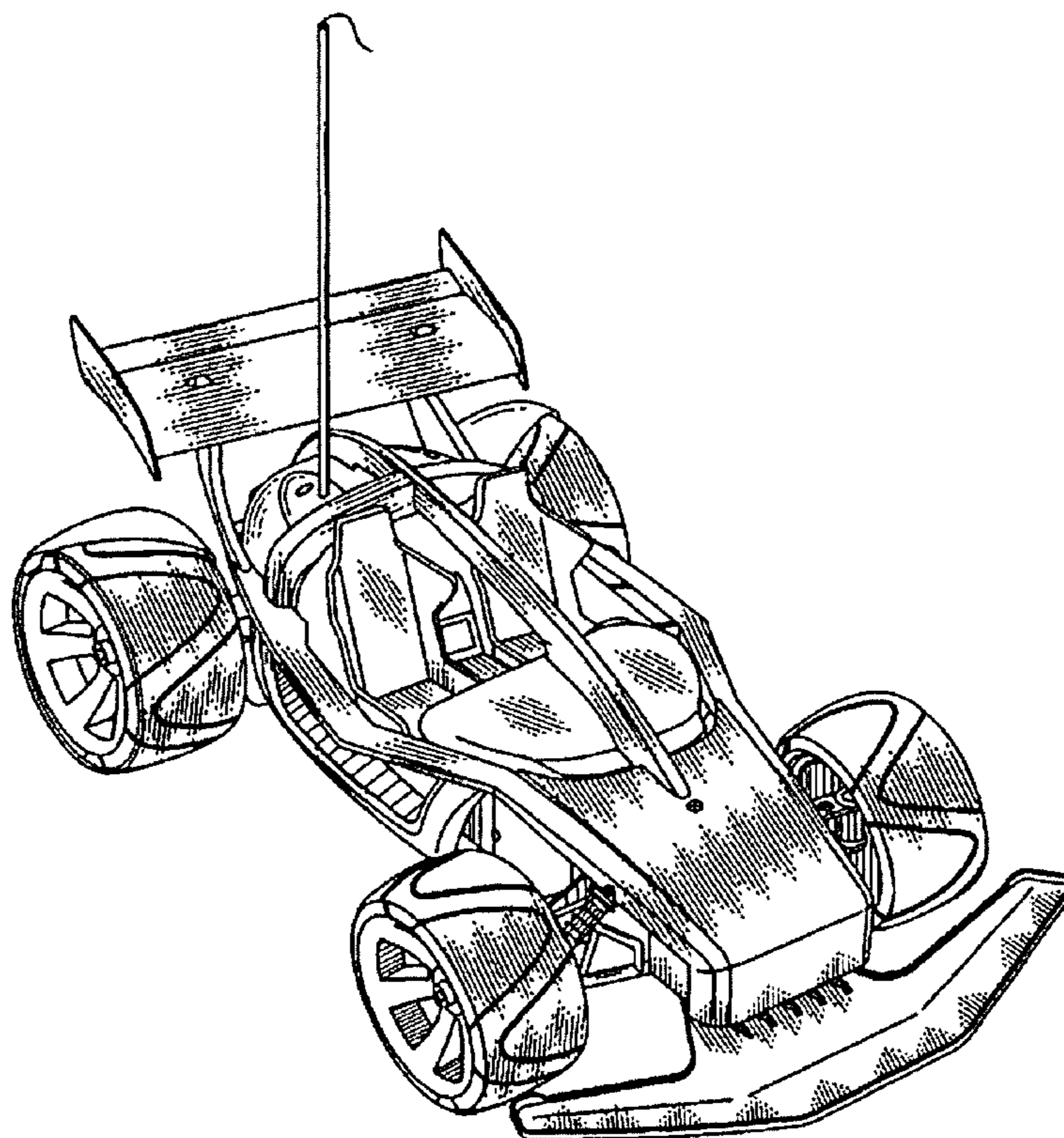
FIG. 4 is a top view of the remote control toy car of FIG. 1.

FIG. 5 is a bottom view of the remote control toy car of FIG. 1.

FIG. 6 is a right side view of the remote control toy car of FIG. 1; and,

FIG. 7 is a left side view of the remote control toy car of FIG. 1.

1 Claim, 7 Drawing Sheets



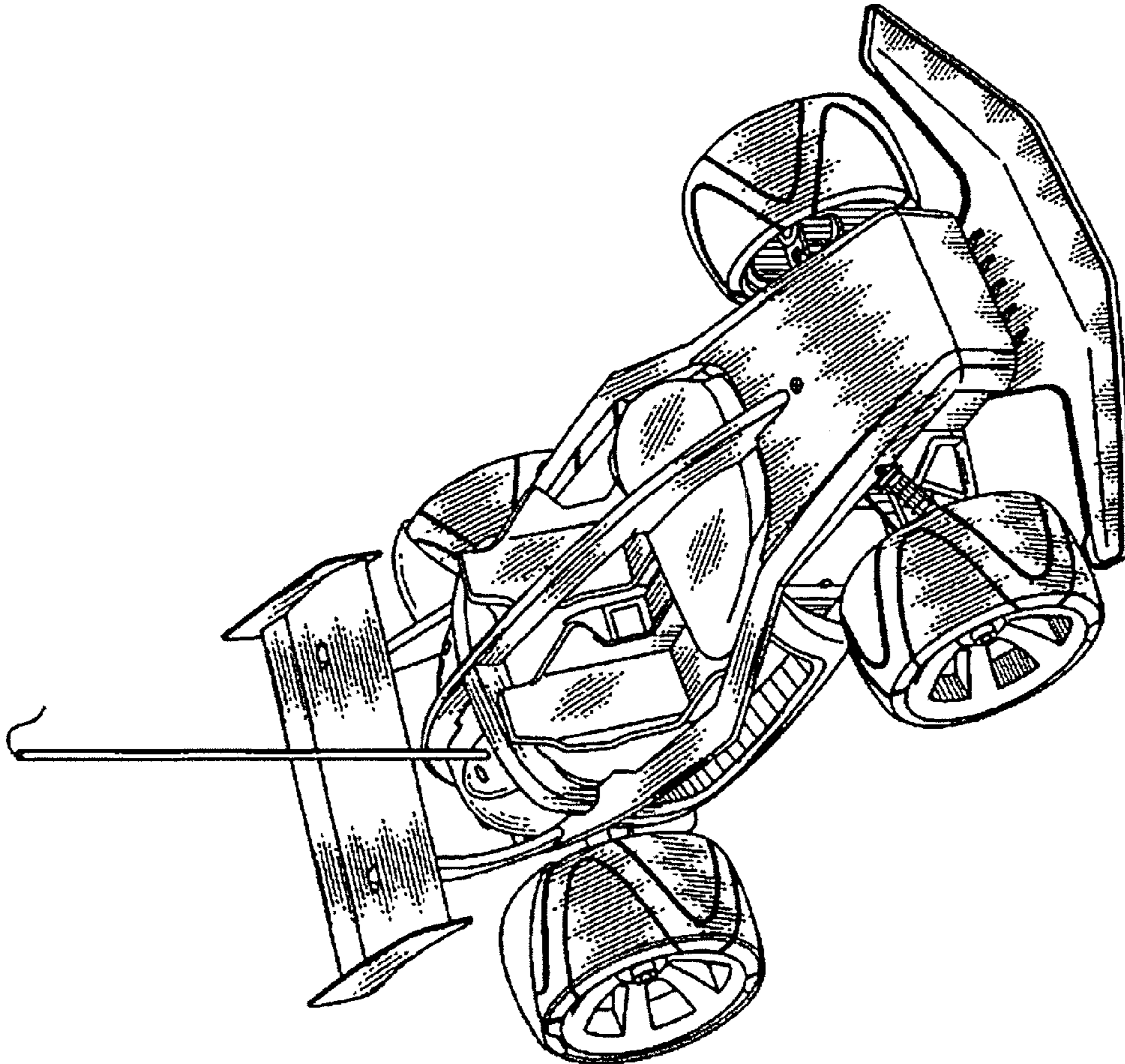


FIG. 1

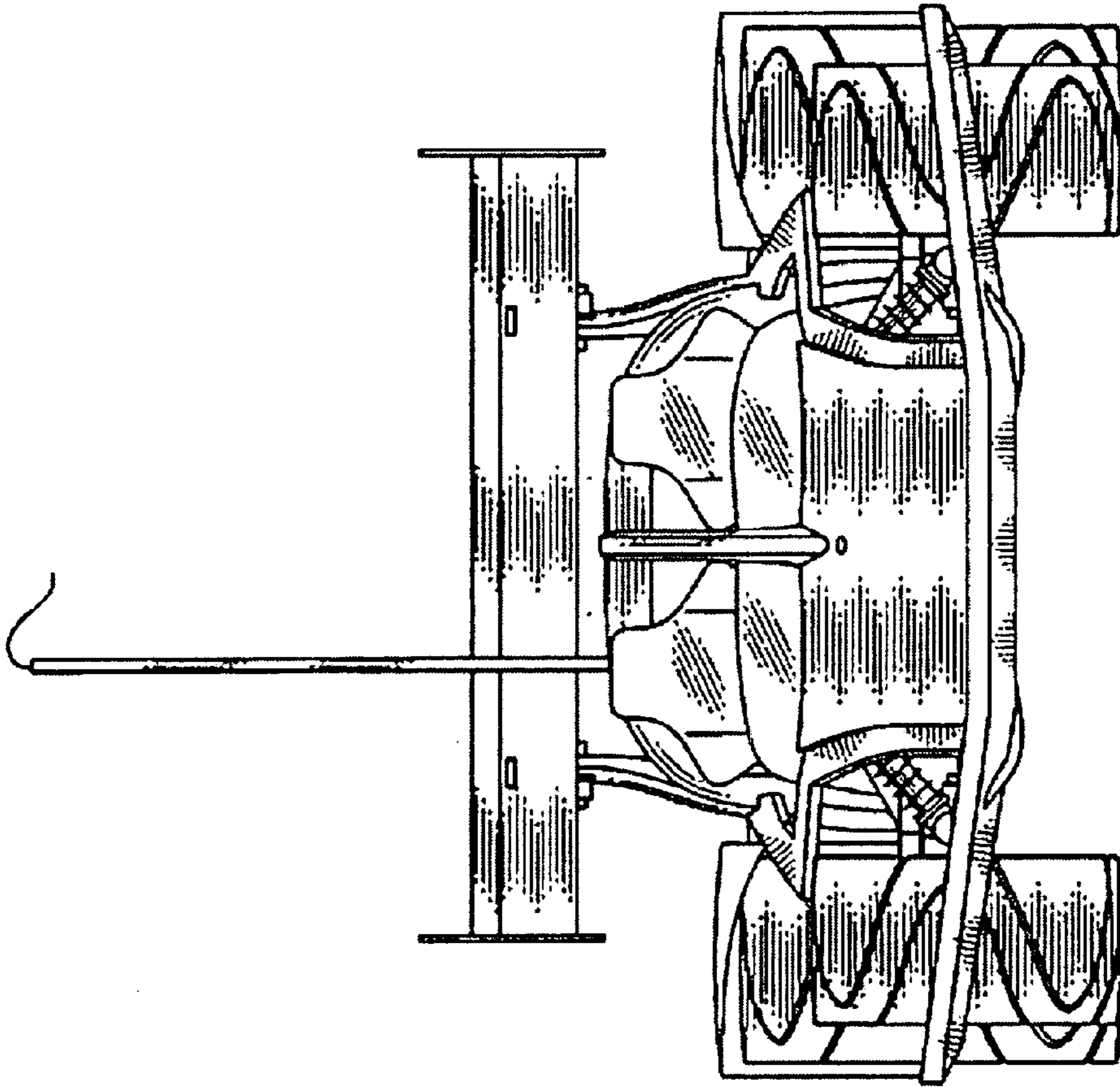


FIG. 2

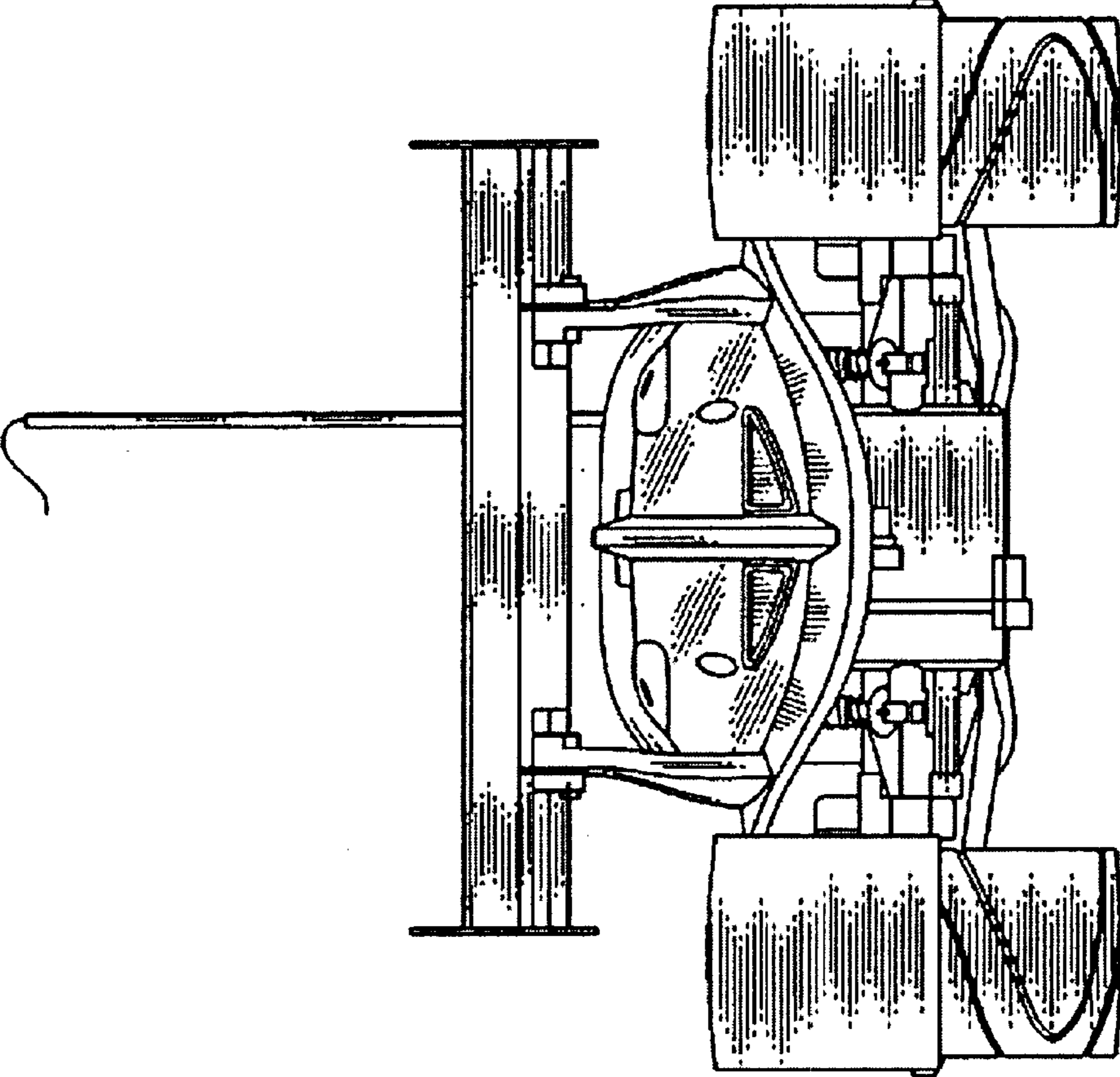


FIG. 3

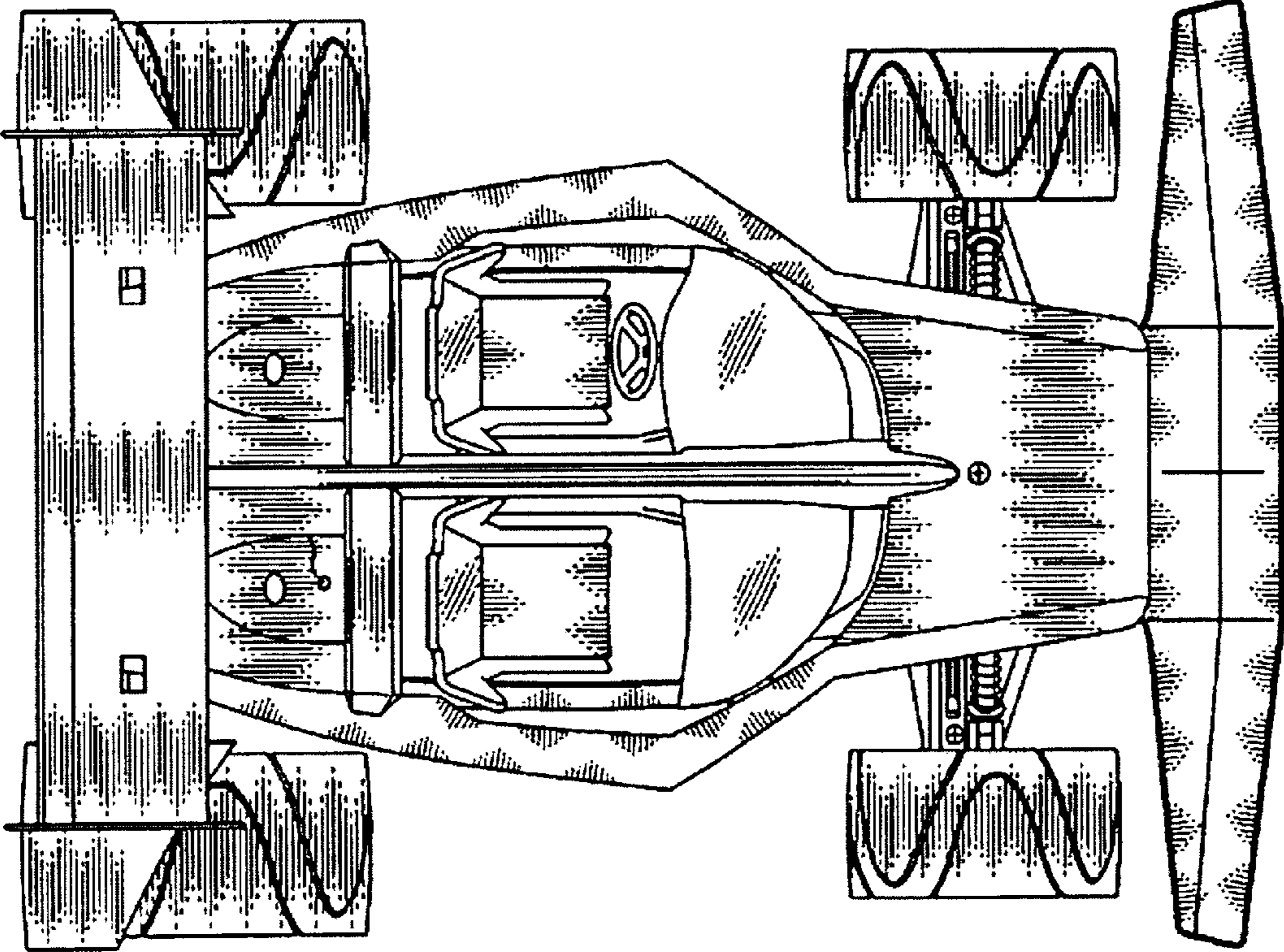


FIG. 4

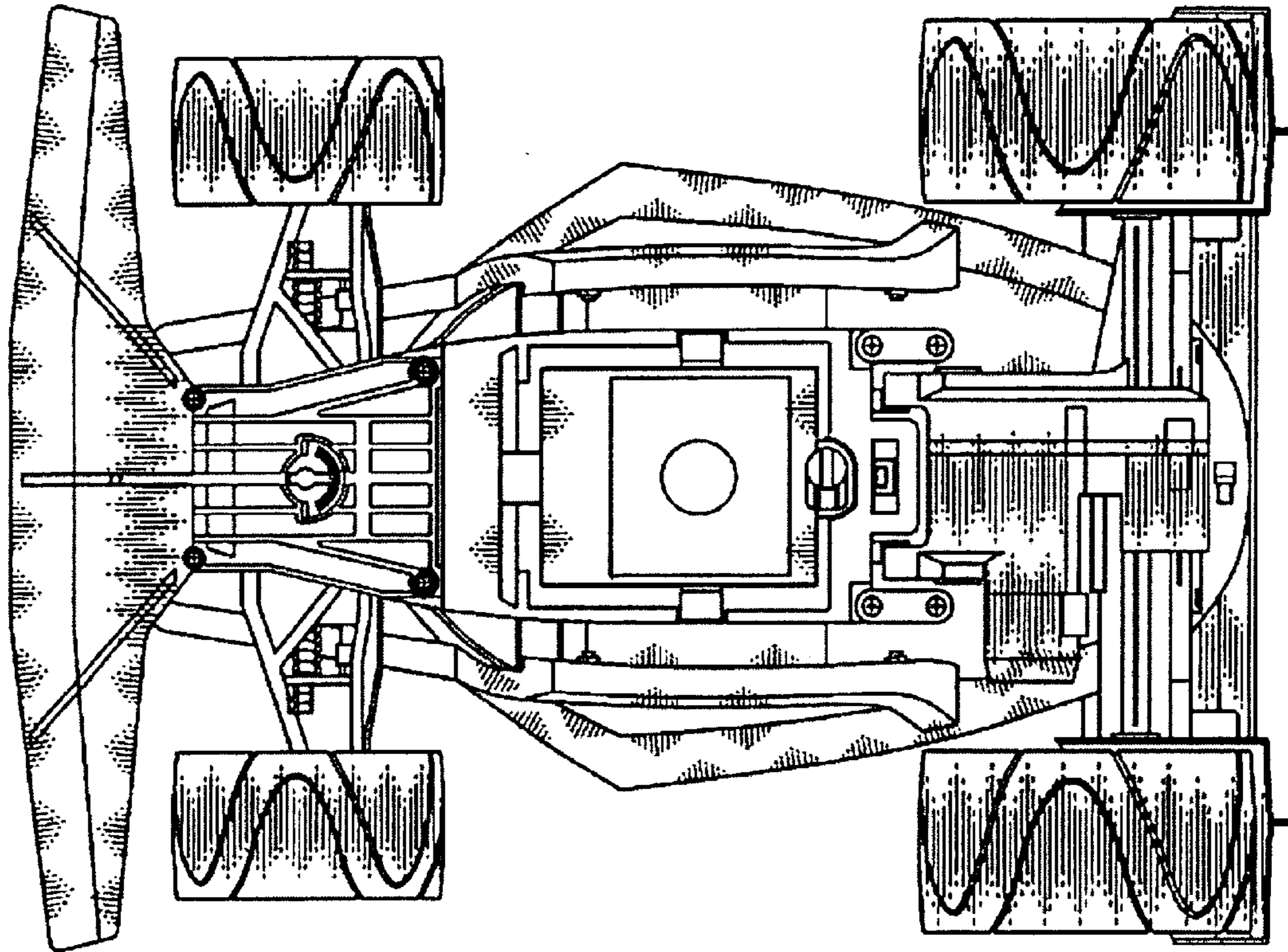


FIG. 5

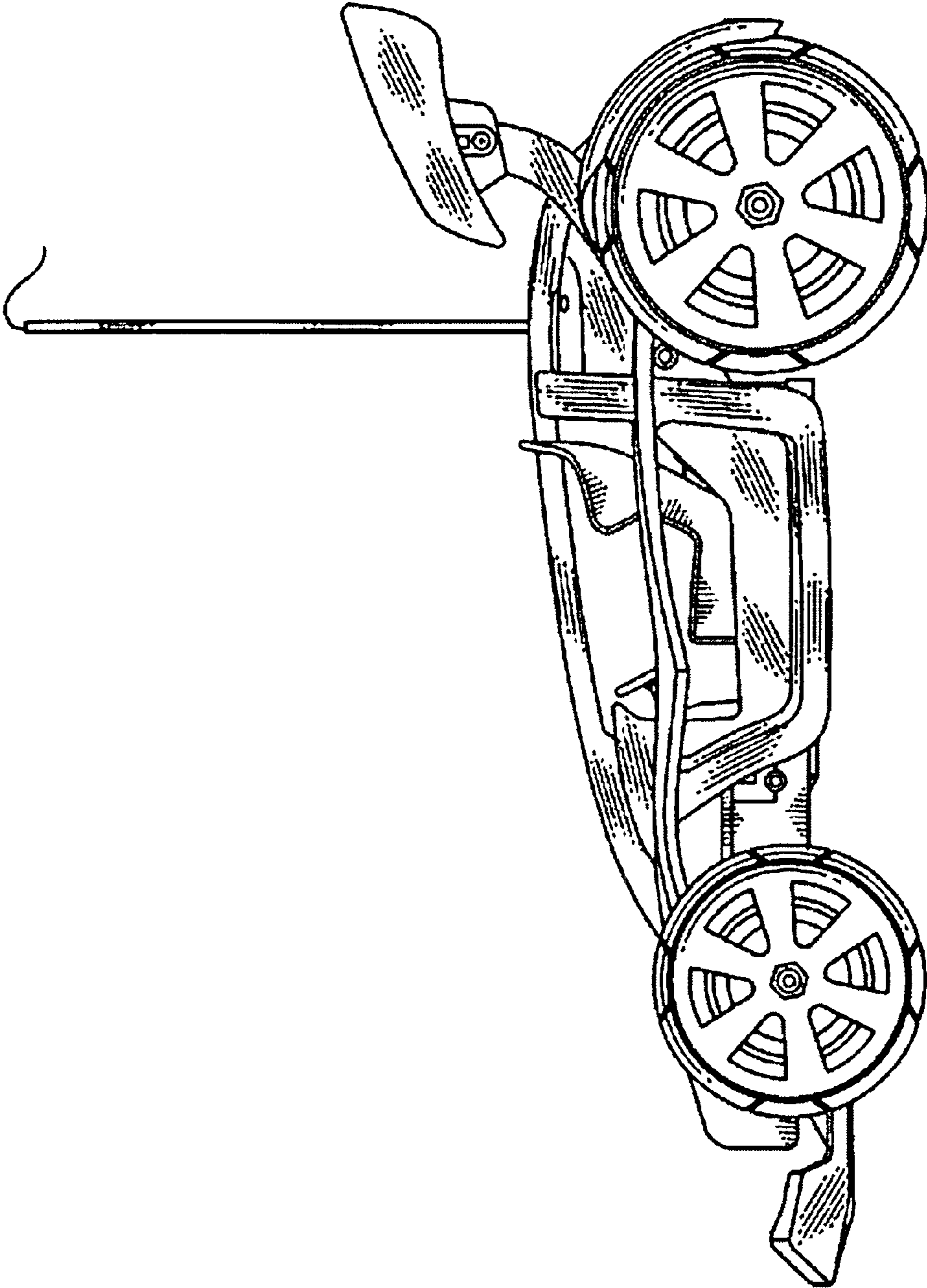


FIG. 6

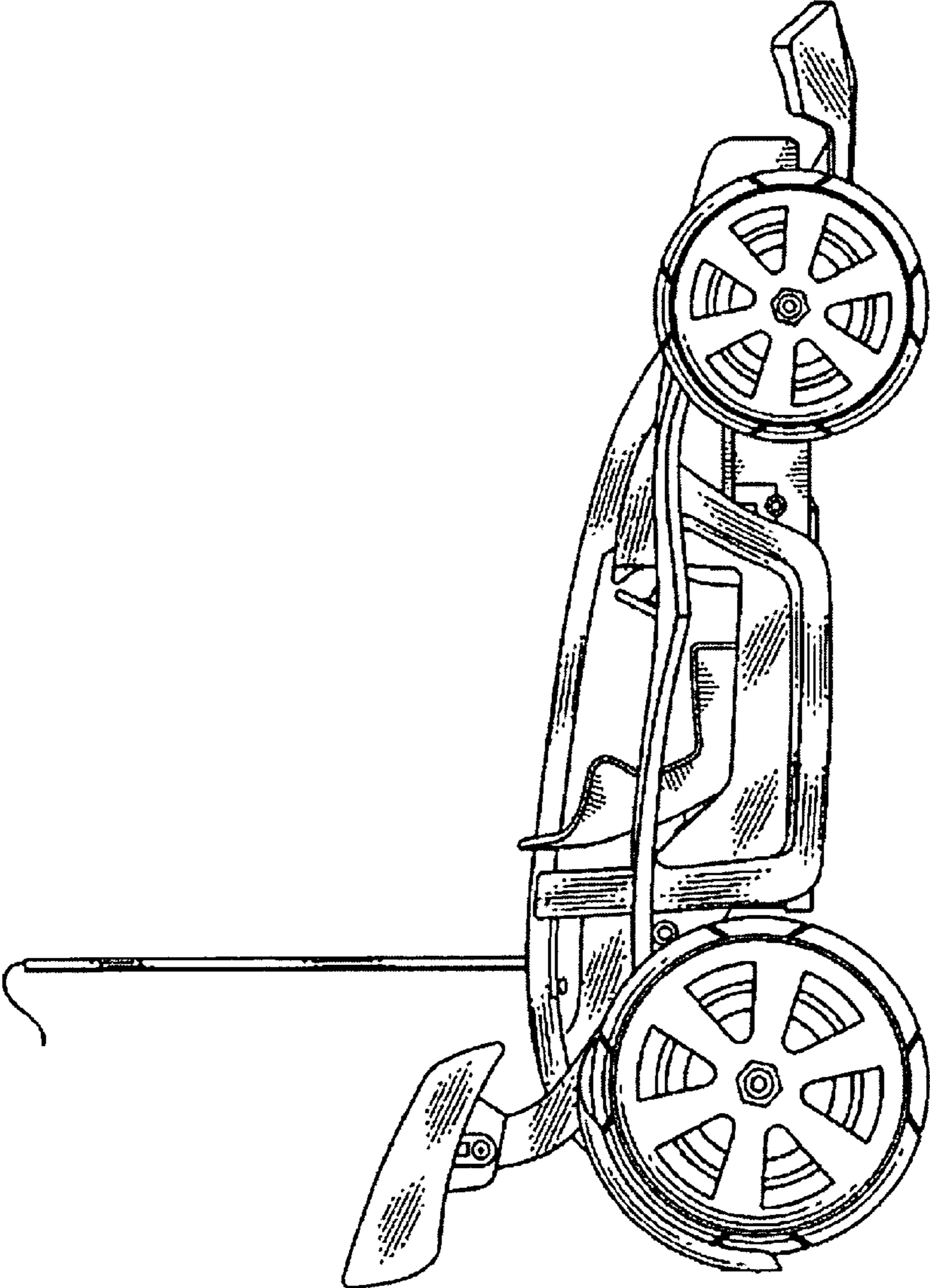


FIG. 7