

US00D509262S

(12) **United States Design Patent**  
**Browder**

(10) **Patent No.:** **US D509,262 S**

(45) **Date of Patent:** **\*\* Sep. 6, 2005**

(54) **WHIRLING BALL TOY**

(76) **Inventor:** **Darrell Lynn Browder**, 4500  
Brentwood Stair Rd., #1147, Fort  
Worth, TX (US) 76103

(\*\*) **Term:** **14 Years**

(21) **Appl. No.:** **29/175,056**

(22) **Filed:** **Mar. 12, 2003**

(51) **LOC (8) Cl.** ..... **21-01**

(52) **U.S. Cl.** ..... **D21/456**

(58) **Field of Search** ..... D21/300, 303,  
D21/312, 385, 707-714, 722, 723, 455-457,  
756, 461; D30/160; 446/168, 170, 236,  
240, 243, 244, 246, 265, 266, 409, 411,  
421, 433, 444, 450, 452, 453; 273/109;  
119/707-711

(56) **References Cited**

**U.S. PATENT DOCUMENTS**

1,963,001	A	*	6/1934	Savage	.....	446/245
2,198,075	A	*	4/1940	Borek	.....	273/109
3,060,627	A	*	10/1962	Seretny	.....	446/170
3,218,073	A	*	11/1965	Frost	.....	473/575
3,466,796	A	*	9/1969	Greenblatt	.....	446/132
D226,717	S	*	4/1973	Vincent	.....	D21/456
D229,078	S	*	11/1973	Aster	.....	D21/456
D231,244	S	*	4/1974	Molenaar	.....	D21/456

D271,592 S \* 11/1983 Taylor et al. .... D21/456  
4,429,487 A \* 2/1984 Taylor et al. .... 446/168

\* cited by examiner

*Primary Examiner*—Catherine Tuttle

(74) *Attorney, Agent, or Firm*—David O. Simmons

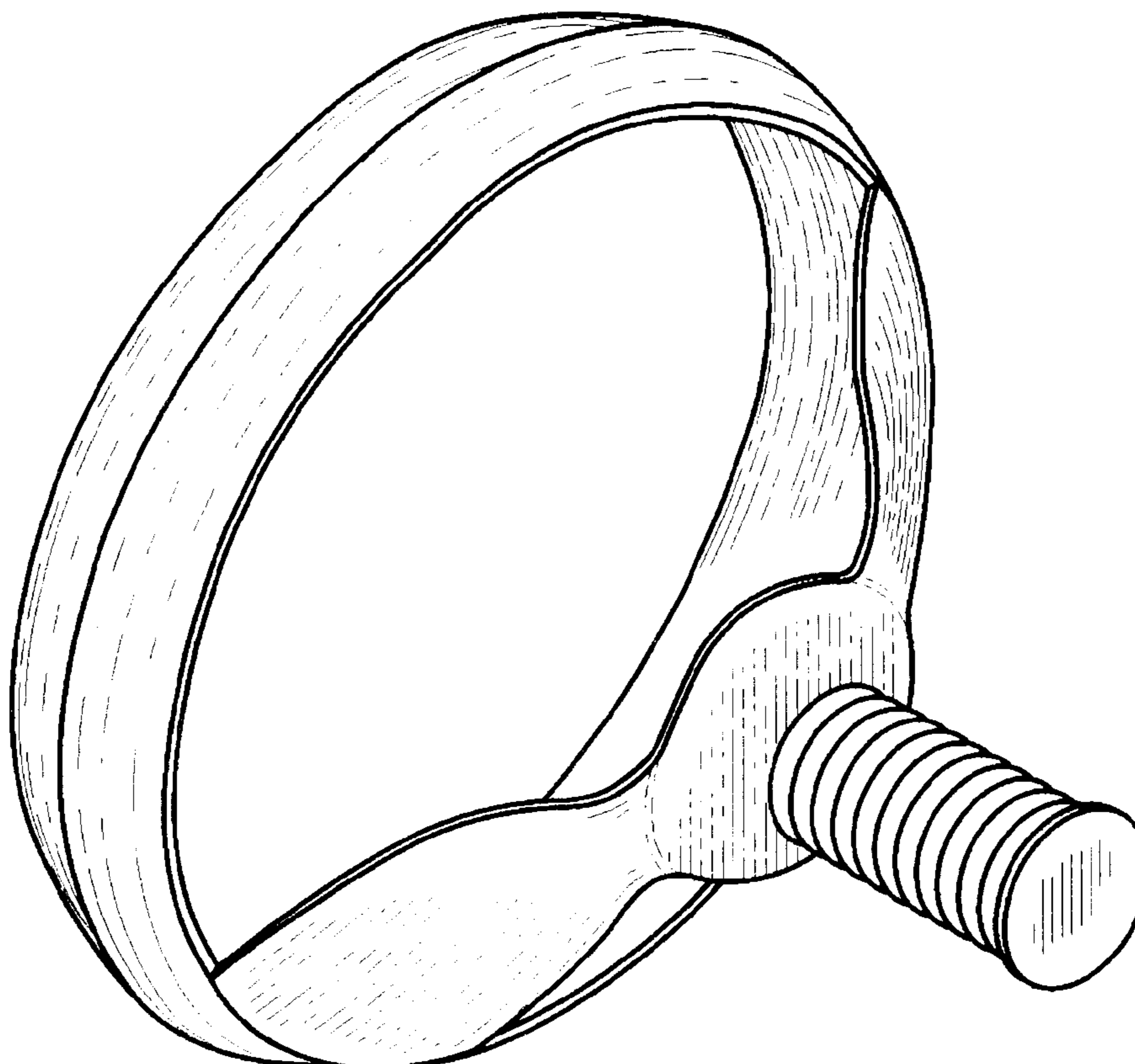
(57) **CLAIM**

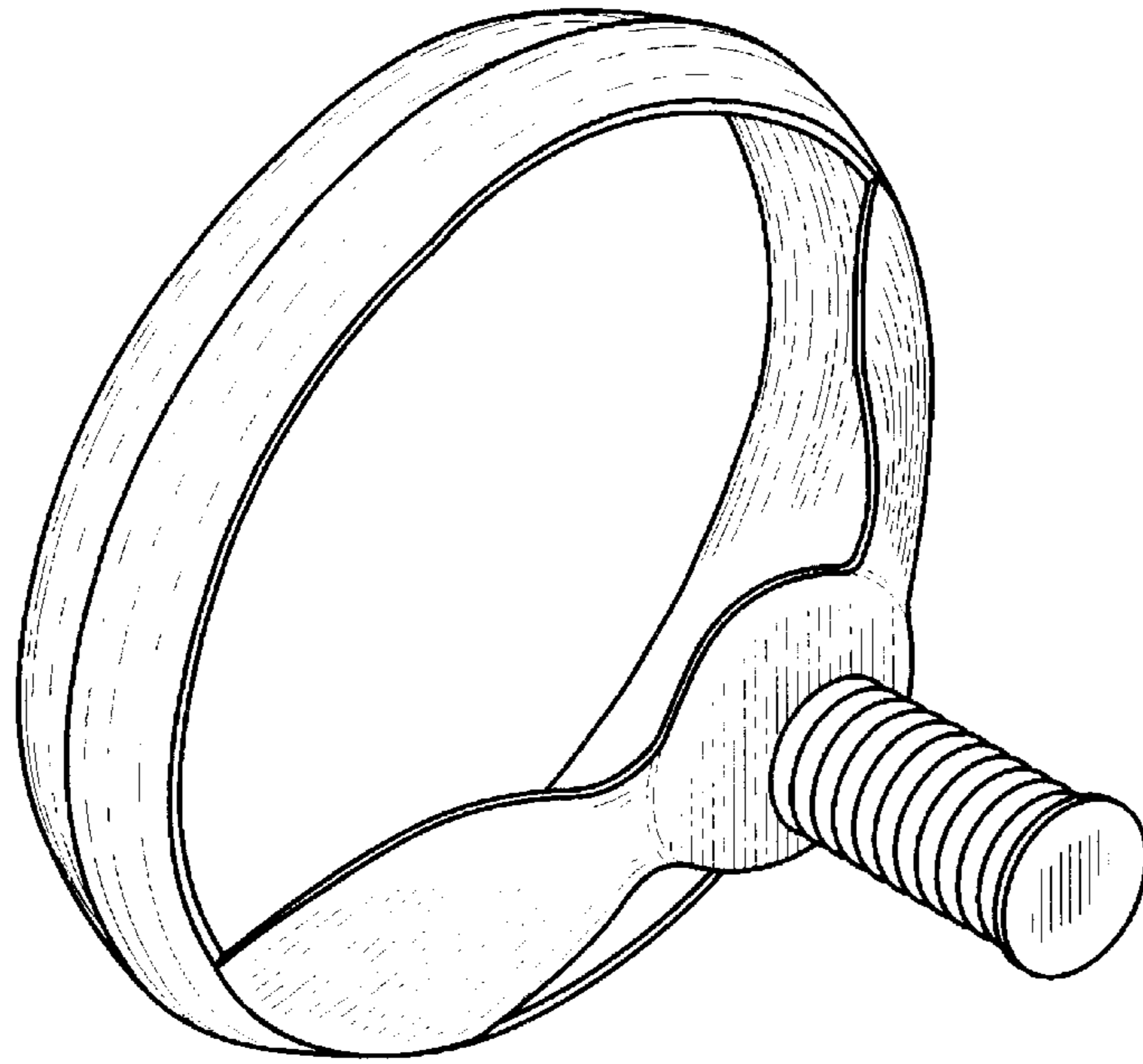
The ornamental design for a whirling ball toy, substantially as shown.

**DESCRIPTION**

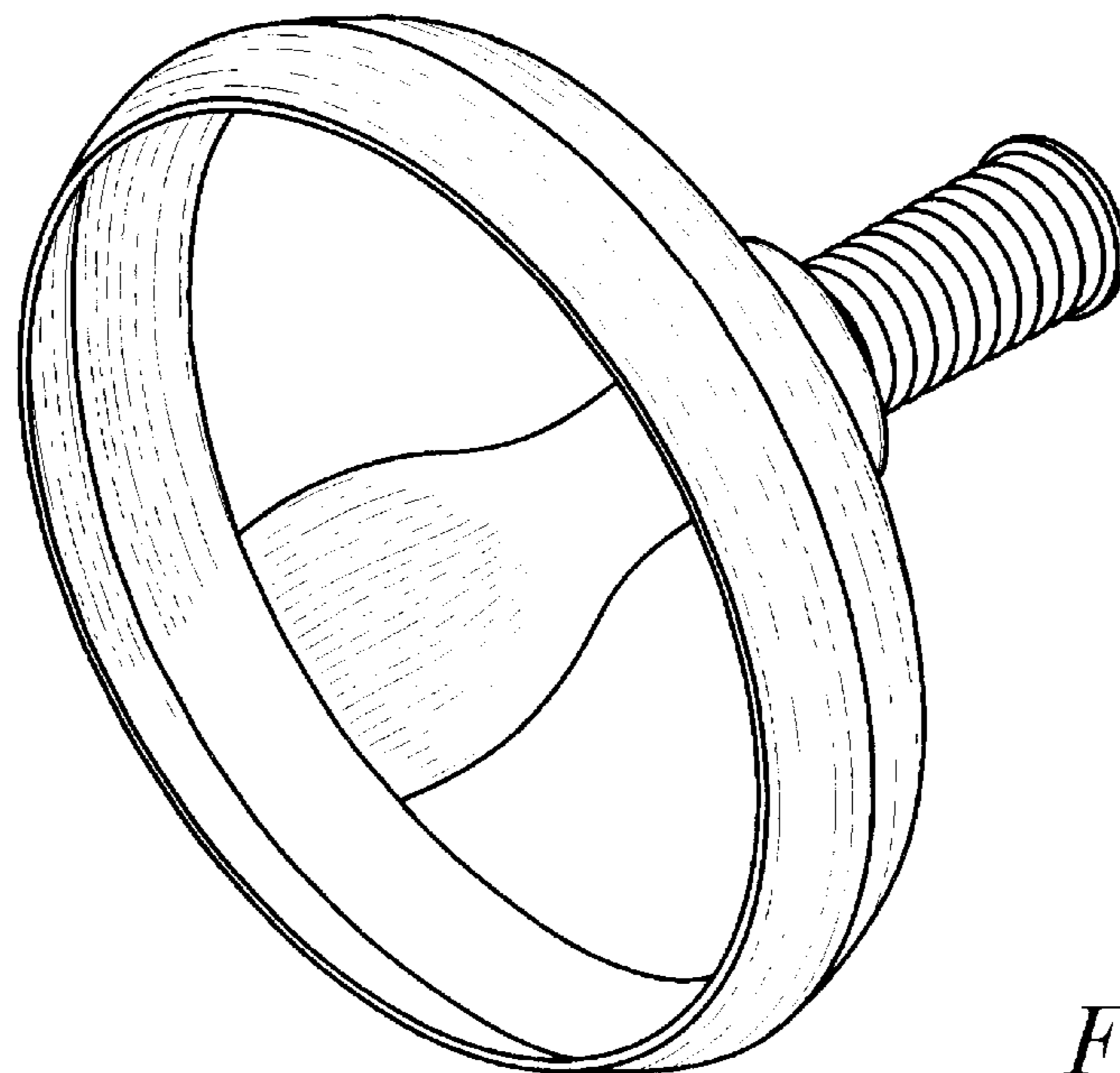
FIG. 1 is a rear perspective view depicting a whirling ball toy in accordance with the present invention;  
FIG. 2 is a front perspective view of the whirling ball toy depicted in FIG. 1;  
FIG. 3 is a left side view of the whirling ball toy depicted in FIG. 1;  
FIG. 4 is a right side view of the whirling ball toy depicted in FIG. 1;  
FIG. 5 is a rear view of the whirling ball toy depicted in FIG. 1;  
FIG. 6 is a front view of the whirling ball toy depicted in FIG. 1;  
FIG. 7 is a top view of the whirling ball toy depicted in FIG. 1; and,  
FIG. 8 is a bottom view of the whirling ball toy depicted in FIG. 1.

**1 Claim, 4 Drawing Sheets**

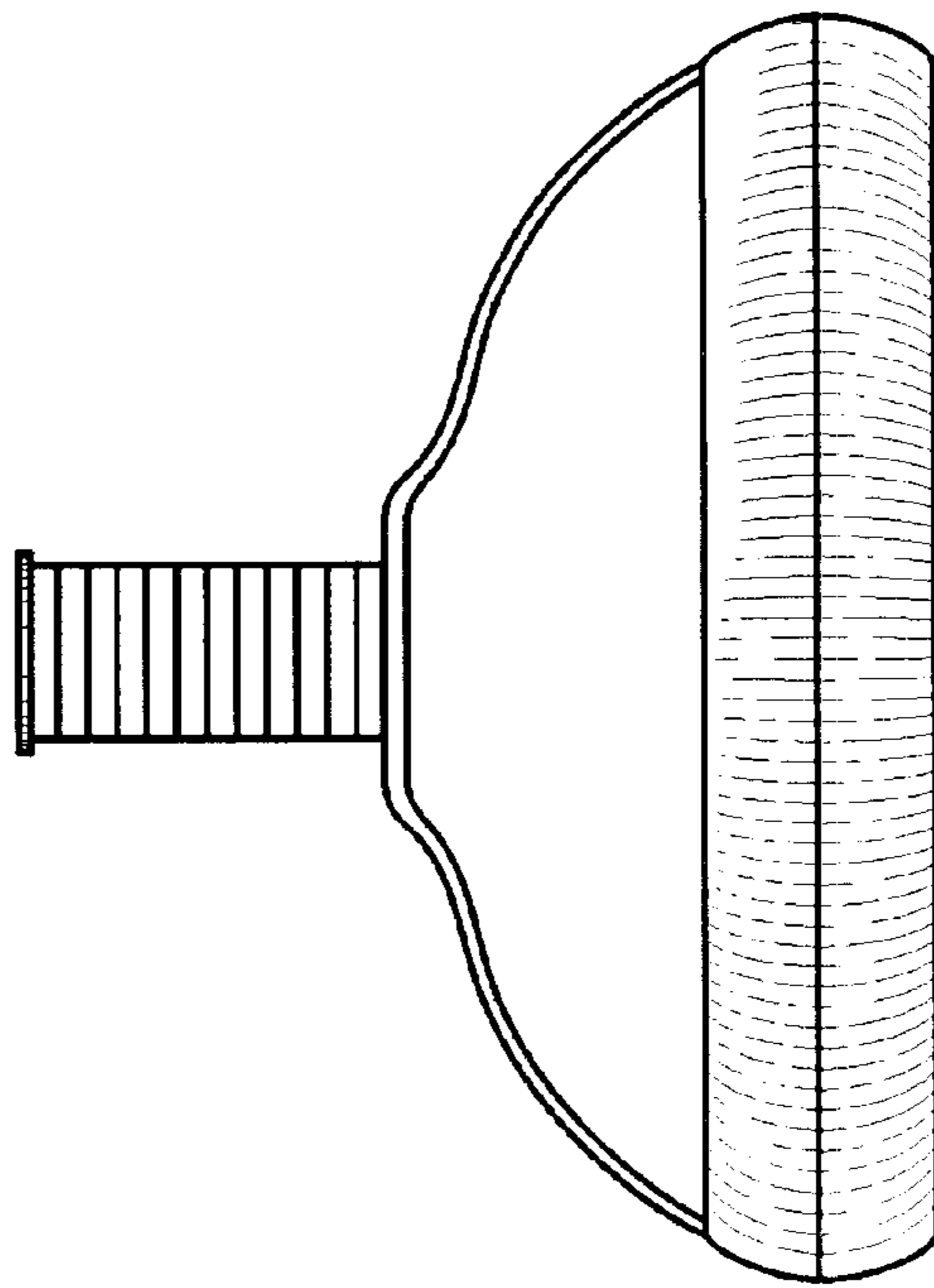




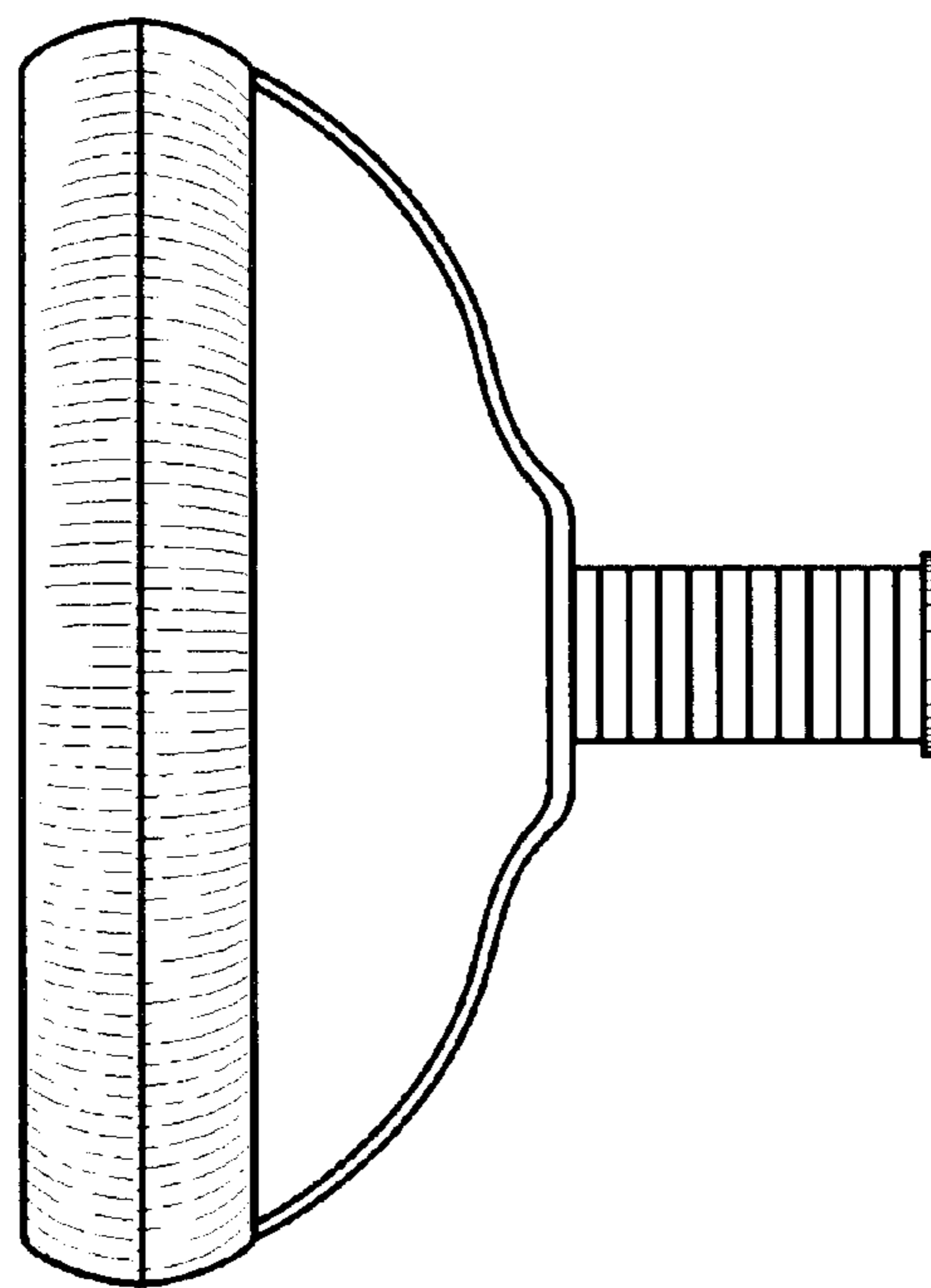
*FIG. 1*



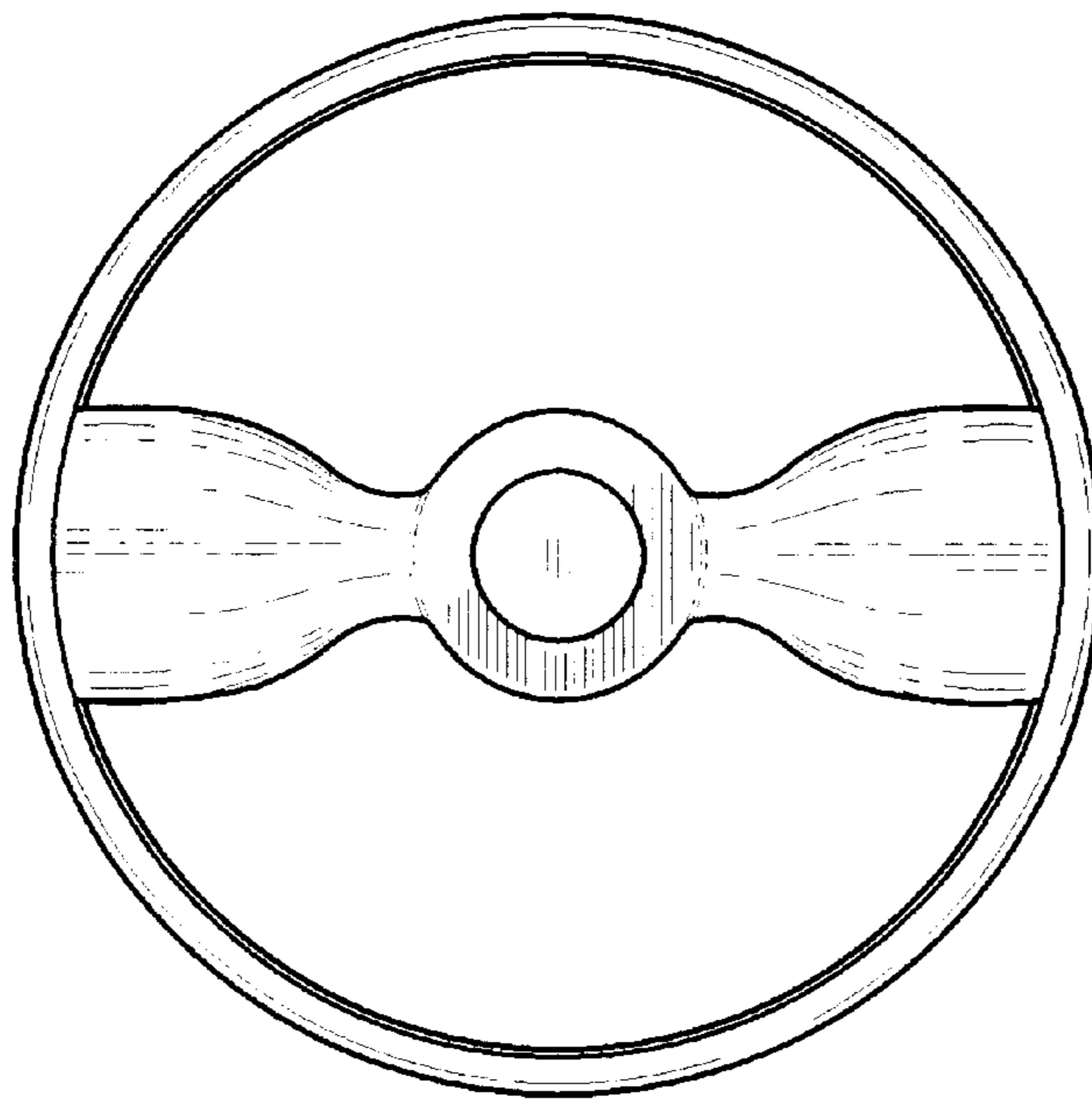
*FIG. 2*



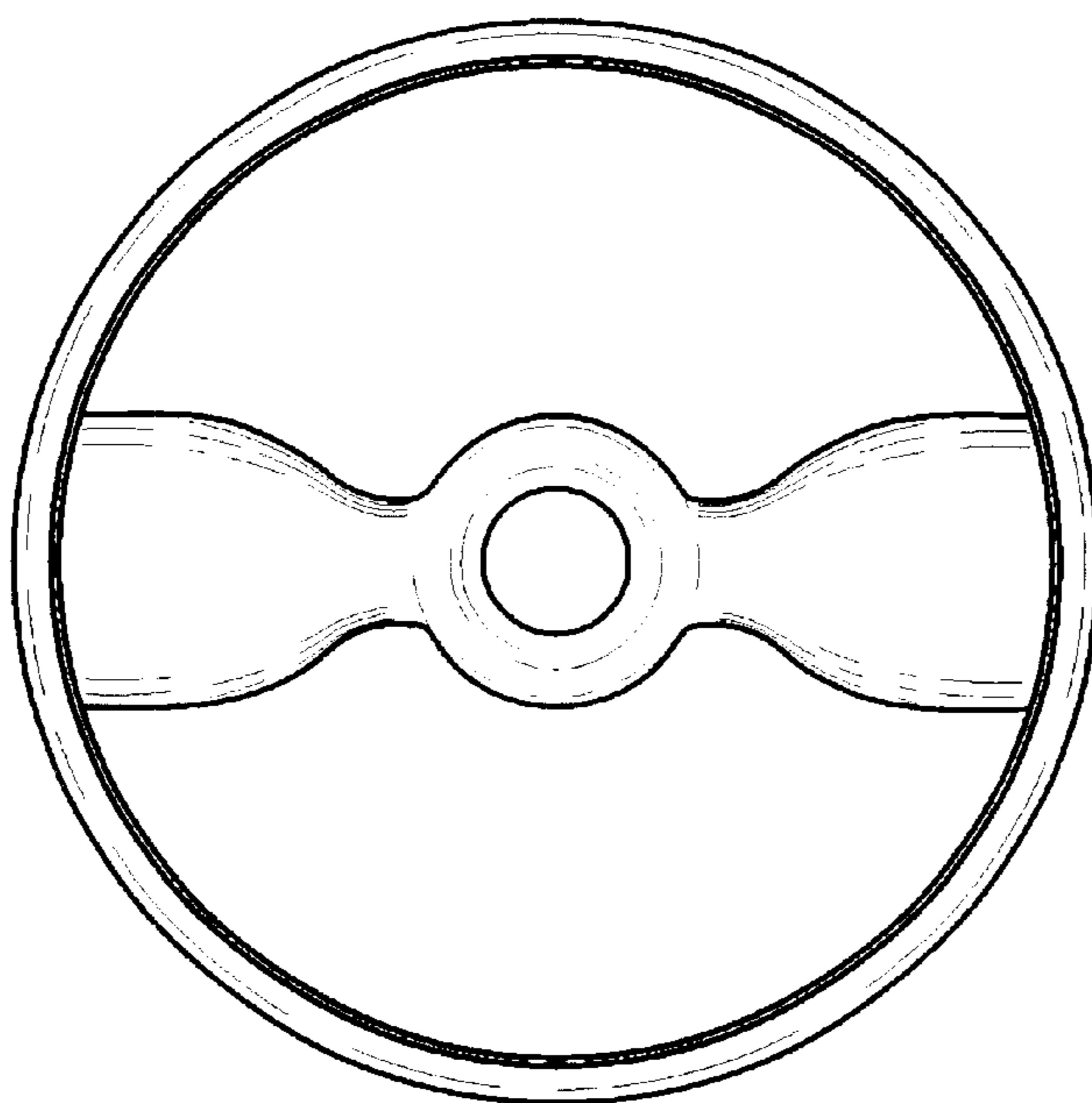
*FIG. 3*



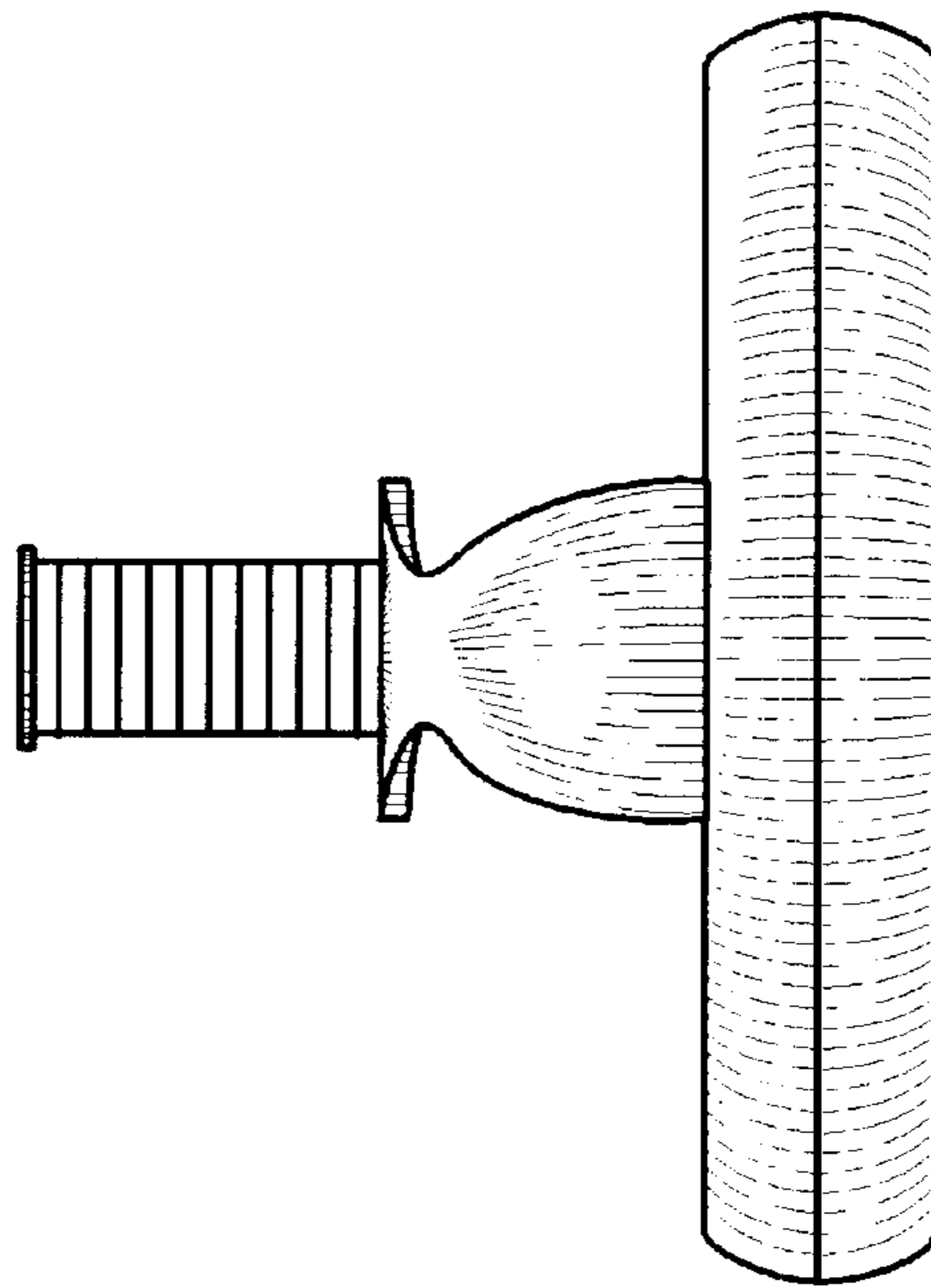
*FIG. 4*



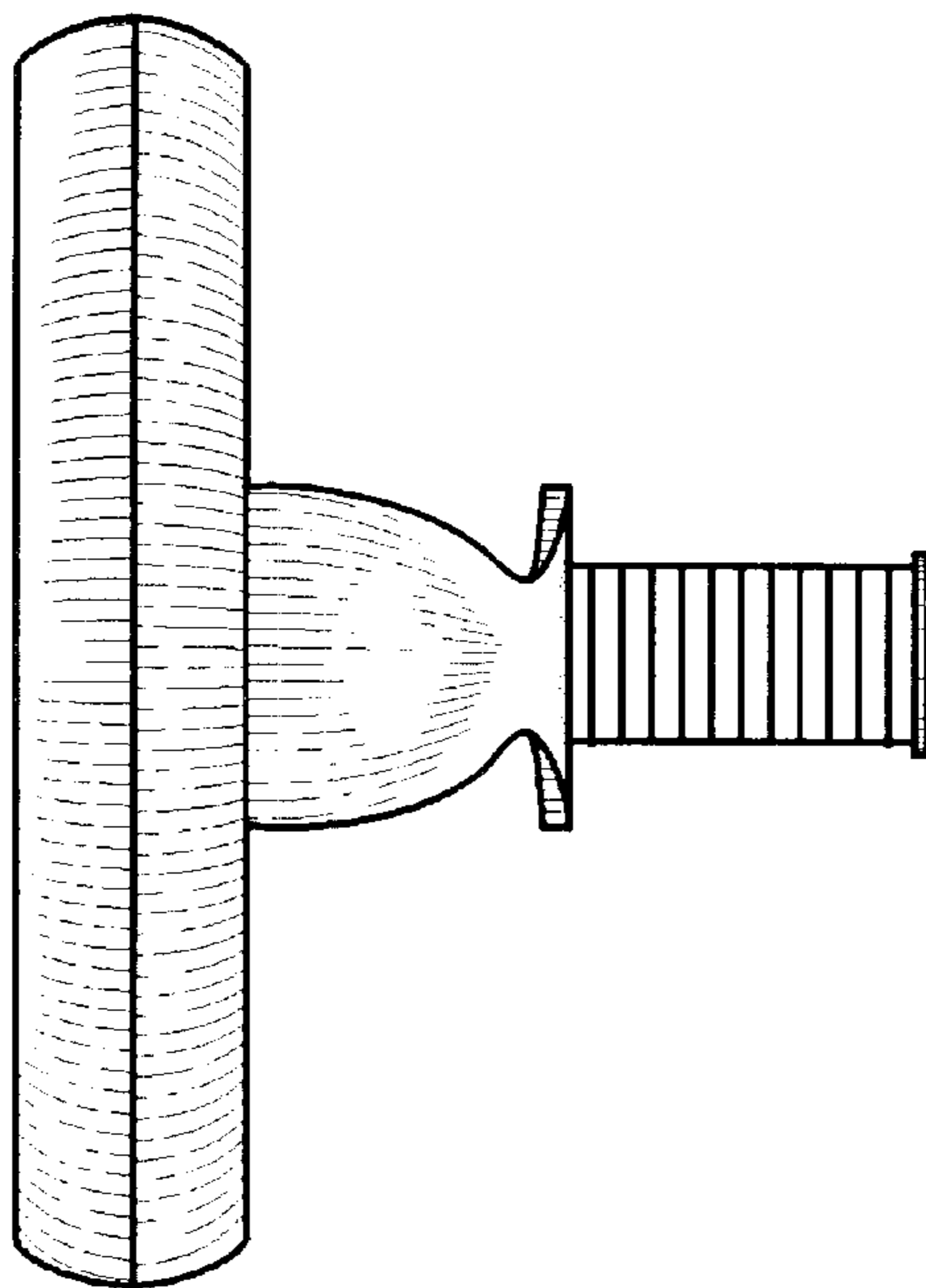
*FIG. 5*



*FIG. 6*



*FIG. 7*



*FIG. 8*