

US00D509261S

(12) **United States Design Patent**
Tebbe

(10) **Patent No.:** **US D509,261 S**

(45) **Date of Patent:** **** Sep. 6, 2005**

(54) **ROCKET TOY**

(75) **Inventor:** **Mark Tebbe, Ventura, CA (US)**

(73) **Assignee:** **Lanard Toys Limited, Kowloon (HK)**

(**) **Term:** **14 Years**

(21) **Appl. No.:** **29/174,638**

(22) **Filed:** **Jan. 22, 2003**

(51) **LOC (8) Cl. 21-01**

(52) **U.S. Cl. D21/452**

(58) **Field of Search** D21/398, 405,
D21/436, 447, 451-454, 458; 446/34, 52,
56-61, 63-65, 68, 76, 88, 91, 176, 178,
179, 211-213, 216, 397, 399, 400, 429,
484

(56) **References Cited**

U.S. PATENT DOCUMENTS

- D185,870 S * 8/1959 Apostolescu D21/452
- 2,918,751 A * 12/1959 Johnson 89/1.806
- 3,046,694 A * 7/1962 Holderer 446/212

- 3,722,124 A * 3/1973 Nathanson et al. 42/54
- D258,672 S * 3/1981 Butcher D21/452
- 5,080,625 A * 1/1992 Huffhines 446/225
- D347,865 S * 6/1994 Bertrand D21/452
- D438,914 S * 3/2001 O'Rourke et al. D21/452

* cited by examiner

Primary Examiner—Catherine Tuttle

(74) *Attorney, Agent, or Firm*—Baker Botts L.L.P.

(57) **CLAIM**

The ornamental design for the rocket toy, as shown and described.

DESCRIPTION

FIG. 1 is a perspective view of the toy showing my new design;

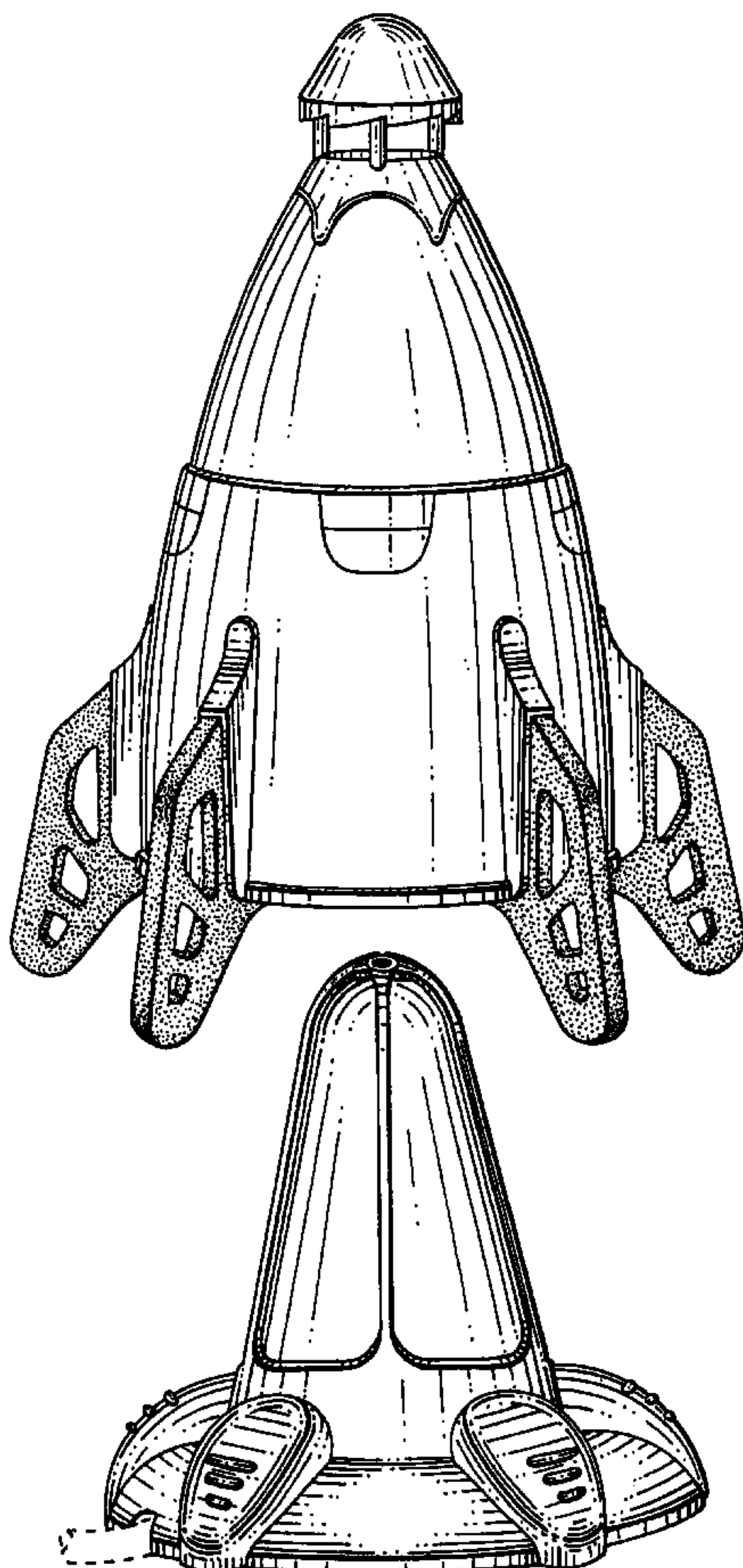
FIG. 2 is an exploded perspective view of the design;

FIG. 3 is a side view of FIG. 1; and,

FIG. 4 is a top view of FIG. 1.

The portions shown in broken lines are for illustrative purposes only; and form no part of the claimed design.

1 Claim, 4 Drawing Sheets



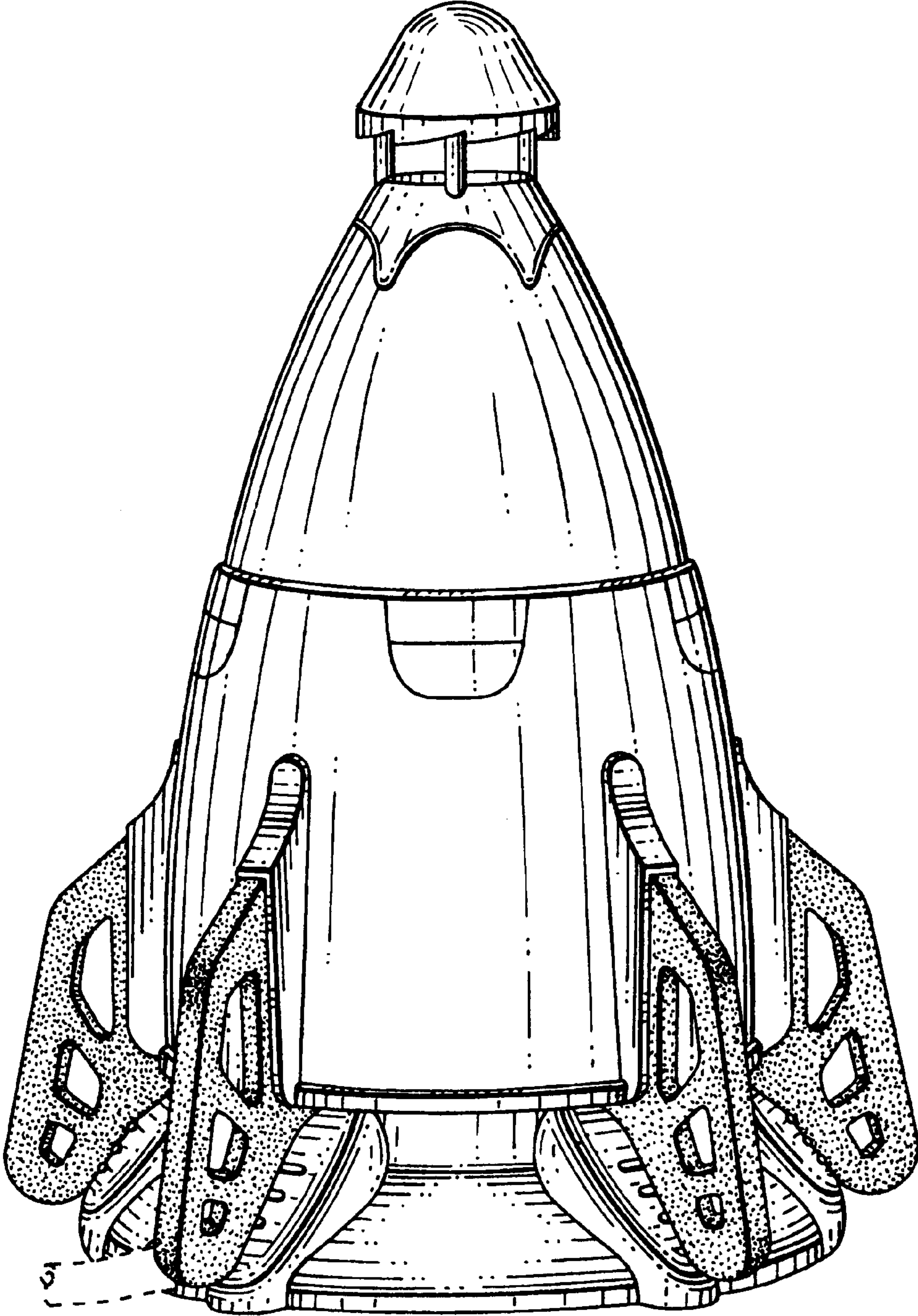


FIG. 1

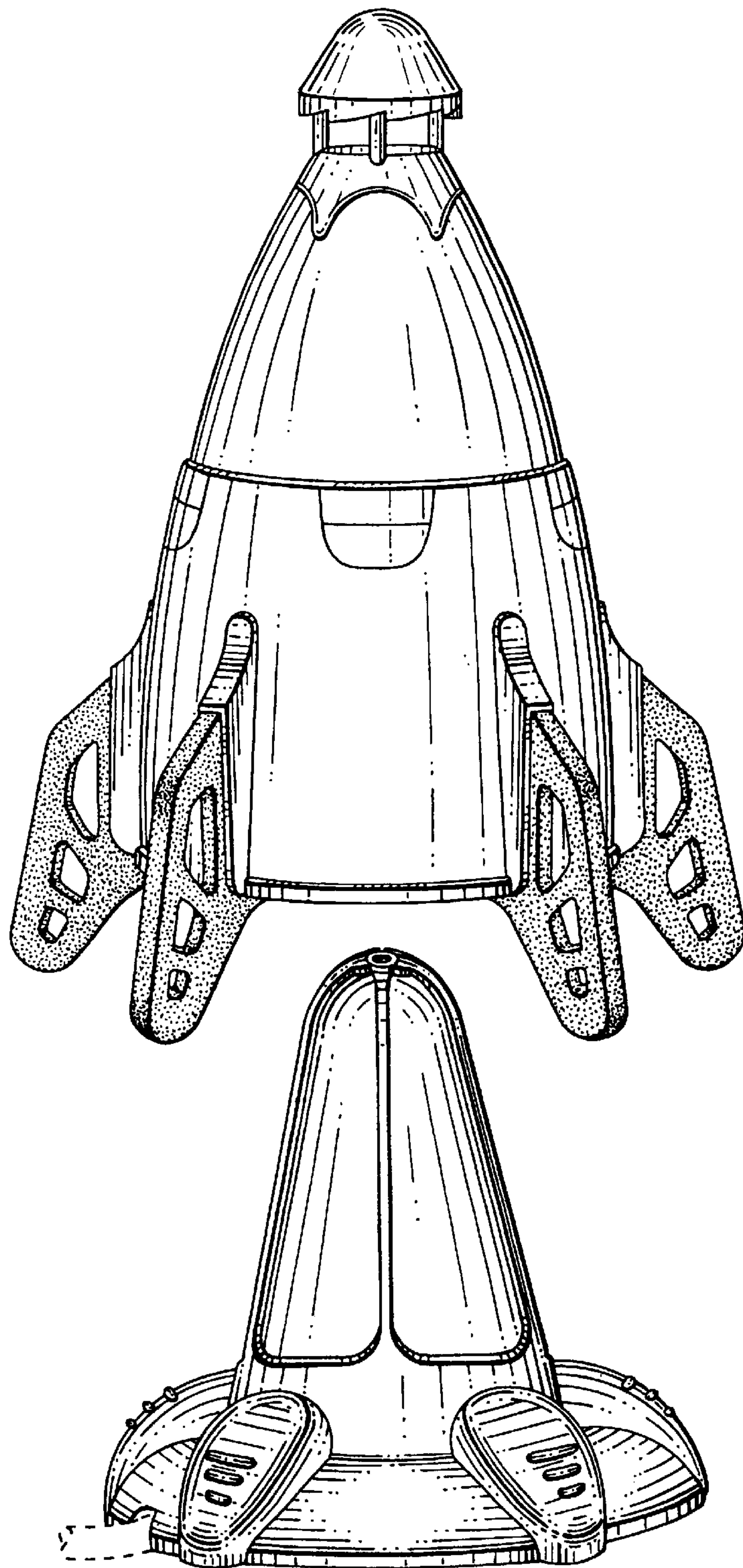


FIG. 2

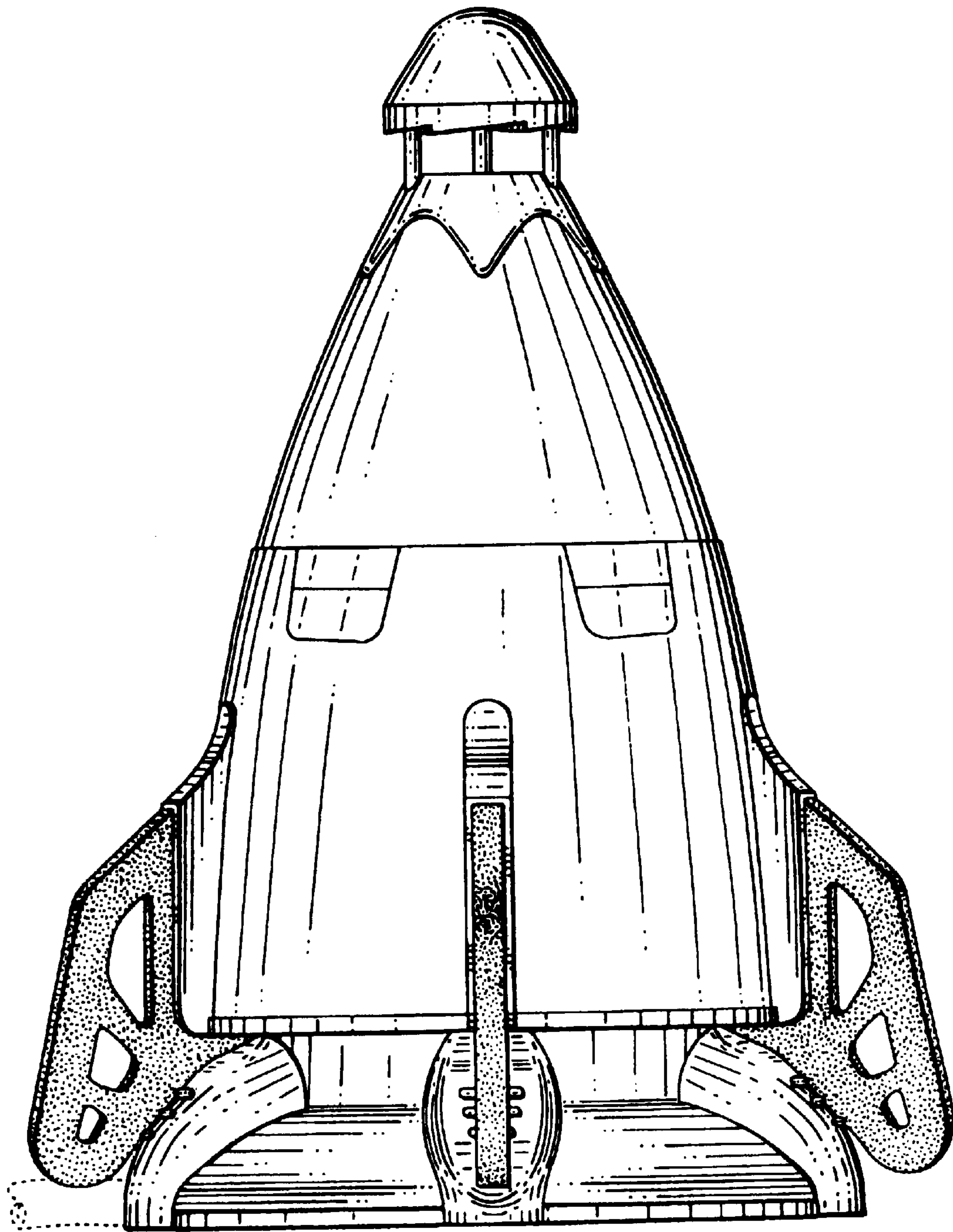


FIG. 3

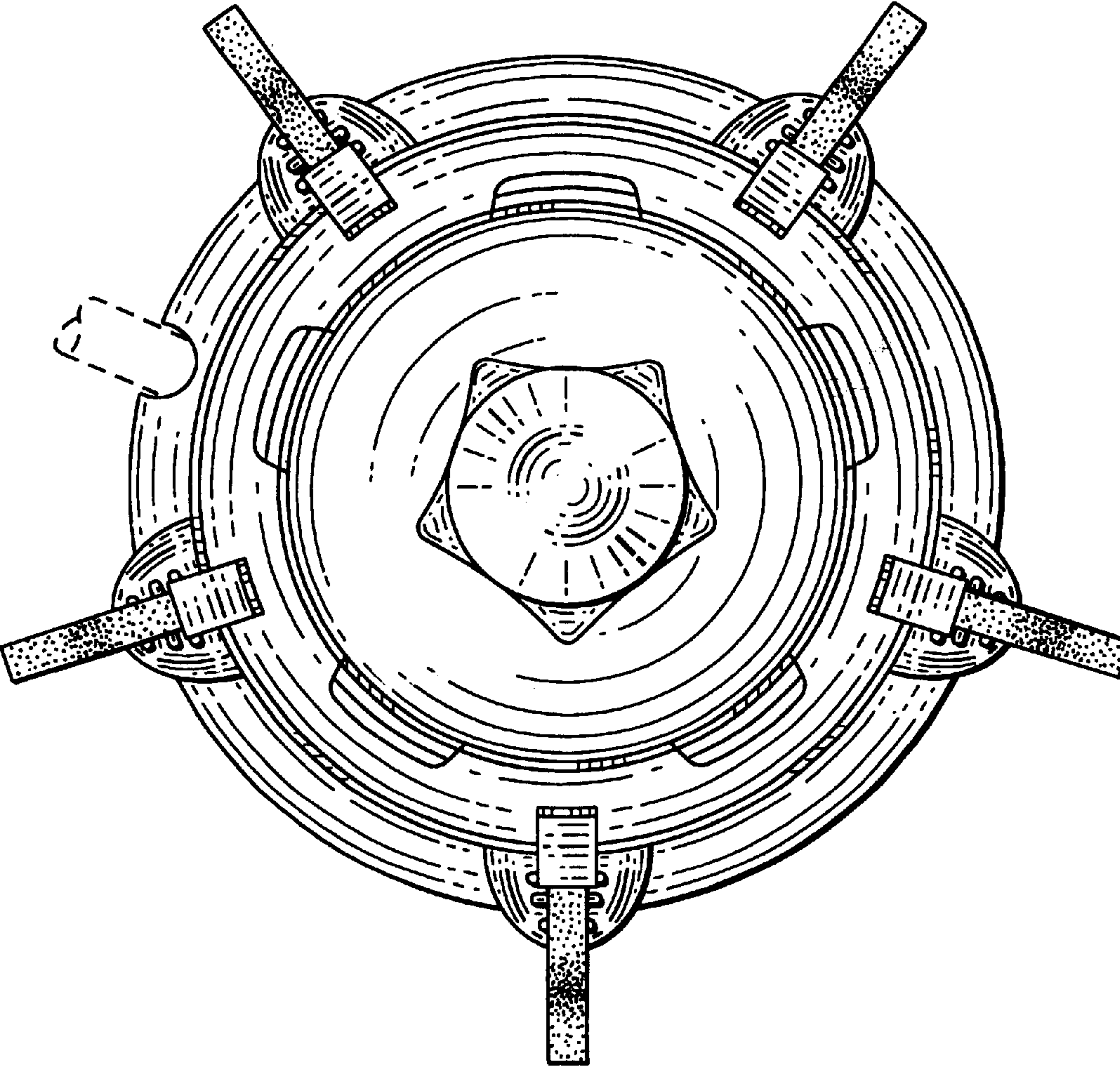


FIG. 4