

US00D509260S

(12) **United States Design Patent** (10) **Patent No.:** **US D509,260 S**
Tabor et al. (45) **Date of Patent:** **** Sep. 6, 2005**

(54) **PIRATE SHIP KITE**

(76) Inventors: **Don Tabor**, 30765 Pacific Coast Hwy.,
Suite 300, Malibu, CA (US) 90265;
Francis Alonso, 30765 Pacific Coast
Hwy., Suite 300, Malibu, CA (US)
90265

(**) **Term:** **14 Years**

(21) **Appl. No.:** **29/205,552**

(22) **Filed:** **May 17, 2004**

606,960 A * 7/1898 Doyle 244/153 R
1,304,788 A * 5/1919 Macrae 114/107
D70,778 S * 8/1926 Schaefer D26/97
D84,160 S * 5/1931 Nowakowski D12/303
2,700,780 A * 2/1955 Stein 114/358
2,817,186 A * 12/1957 Hirsch et al. 446/163
D234,882 S * 4/1975 Goldpaint D20/35
4,073,049 A * 2/1978 Lint 29/458
4,450,784 A * 5/1984 Mellinger 114/39.26
4,819,574 A * 4/1989 Westerman 114/39.25
5,893,537 A * 4/1999 Lee 244/153 R
6,003,816 A * 12/1999 Lee 244/153 R

* cited by examiner

Related U.S. Application Data

(63) Continuation-in-part of application No. 29/182,309, filed on
May 22, 2003, now abandoned.

(51) **LOC (8) Cl.** **21-01**

(52) **U.S. Cl.** **D21/445**

(58) **Field of Search** D21/436-454,
D21/542-547; D12/300-318, 321; D11/131,
141, 149, 157, 163; D20/29, 35; 446/30-68,
88, 96, 153-165, 487-490; 224/153 R,
154, 155 R, 155 A, 153 A; 114/26, 39.11,
39.12-39.29, 39.3, 39.31, 39.32, 63, 343,
89-99, 102.1, 102.11, 102.12-102.19, 102.2,
102.21, 102.22-102.29, 102.3, 102.31,
102.32, 102.33, 104-115, 351, 354-359

(56) **References Cited**

U.S. PATENT DOCUMENTS

D8,992 S * 2/1876 Kerr D21/440

Primary Examiner—Catherine Tuttle

(74) *Attorney, Agent, or Firm*—Louis J. Bachand

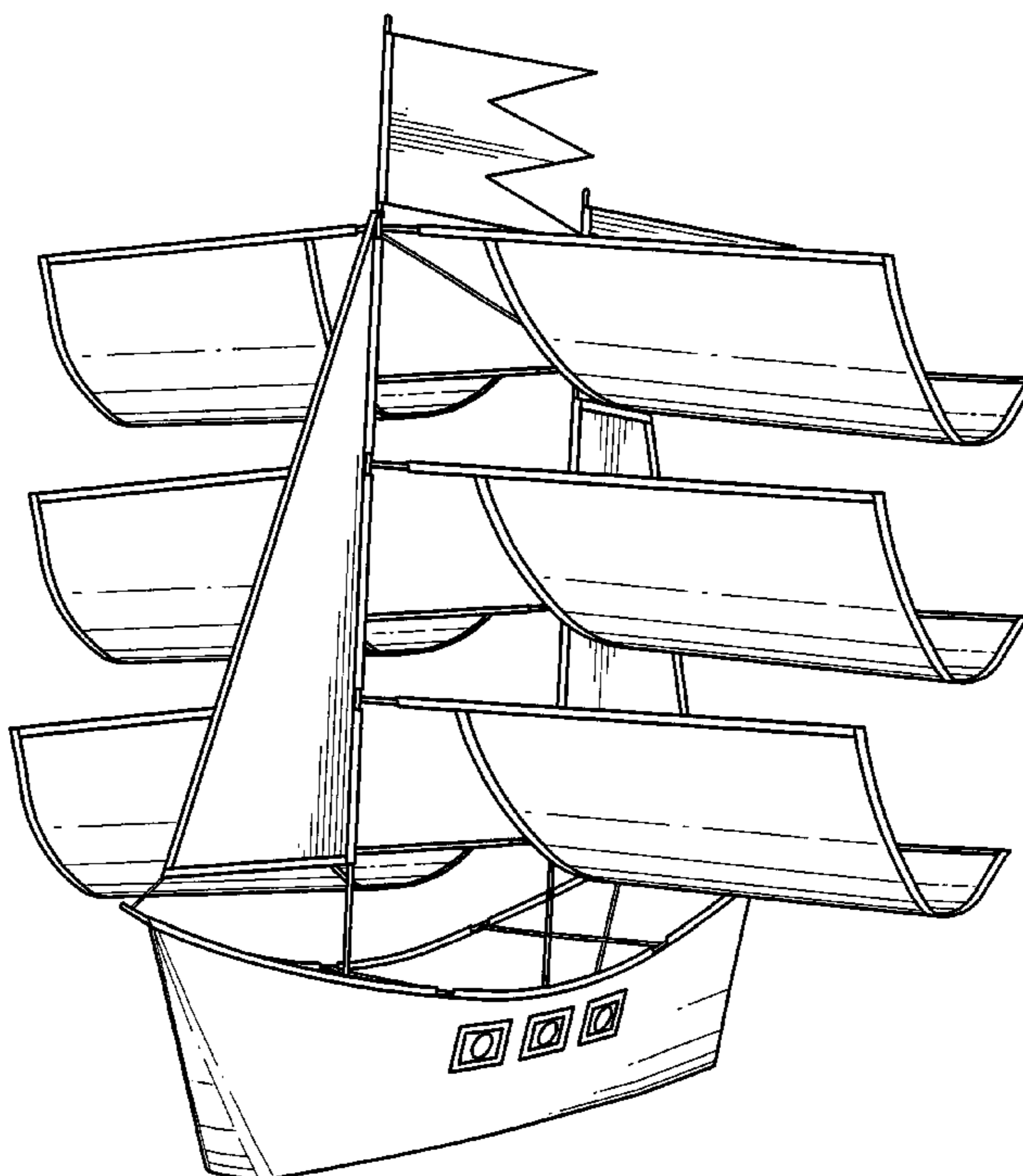
(57) **CLAIM**

We claim the ornamental design for a pirate ship kite, as
shown and described herein.

DESCRIPTION

FIG. 1 is a perspective view of the pirate ship kite design;
FIG. 2 is a right side view thereof, the left side view being
a mirror image of the side shown;
FIG. 3 is a front elevational view thereof;
FIG. 4 is a rear elevational view thereof;
FIG. 5 is a top plan view thereof; and,
FIG. 6 is a bottom plan view thereof.

1 Claim, 6 Drawing Sheets



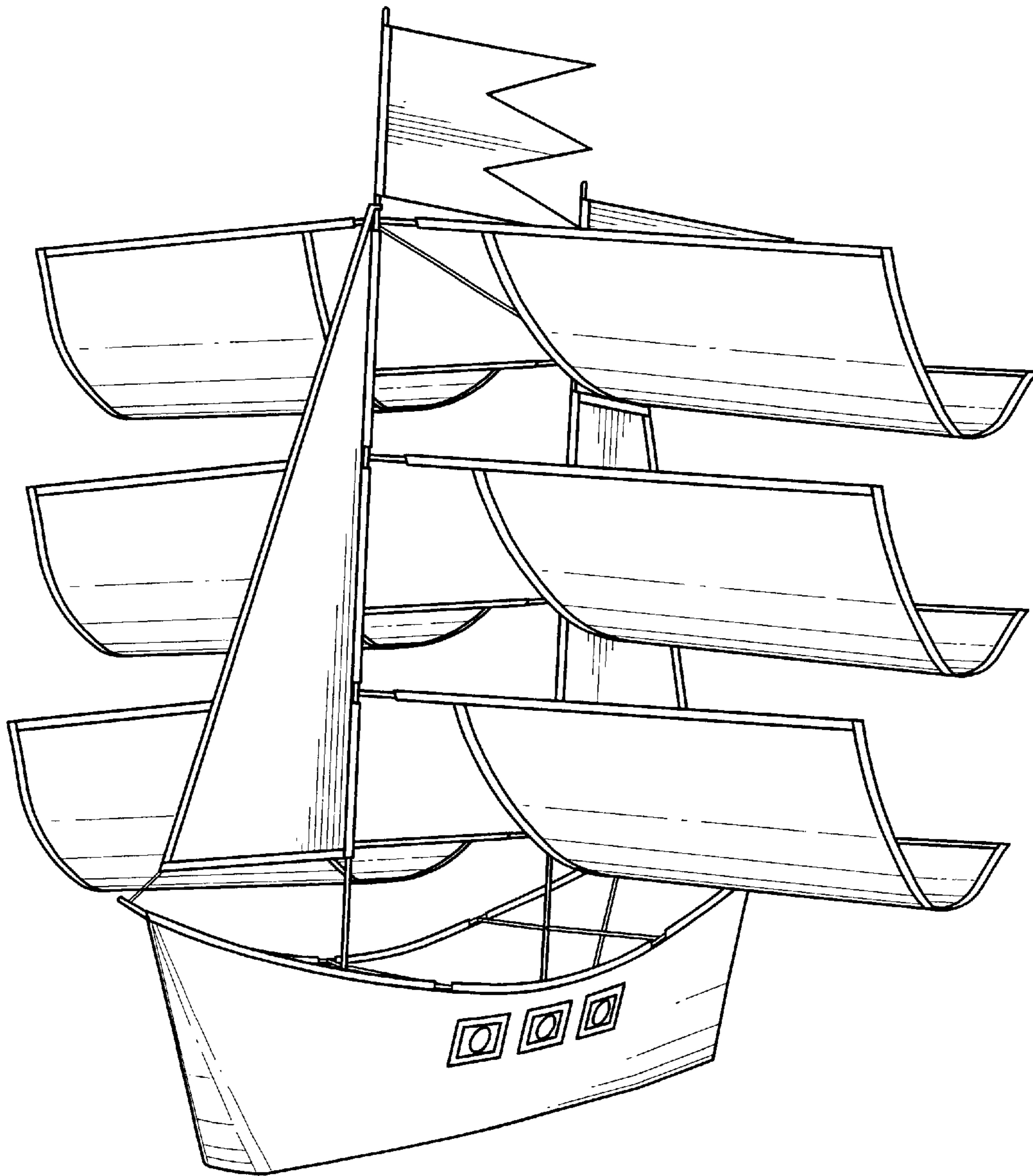


FIG. 1

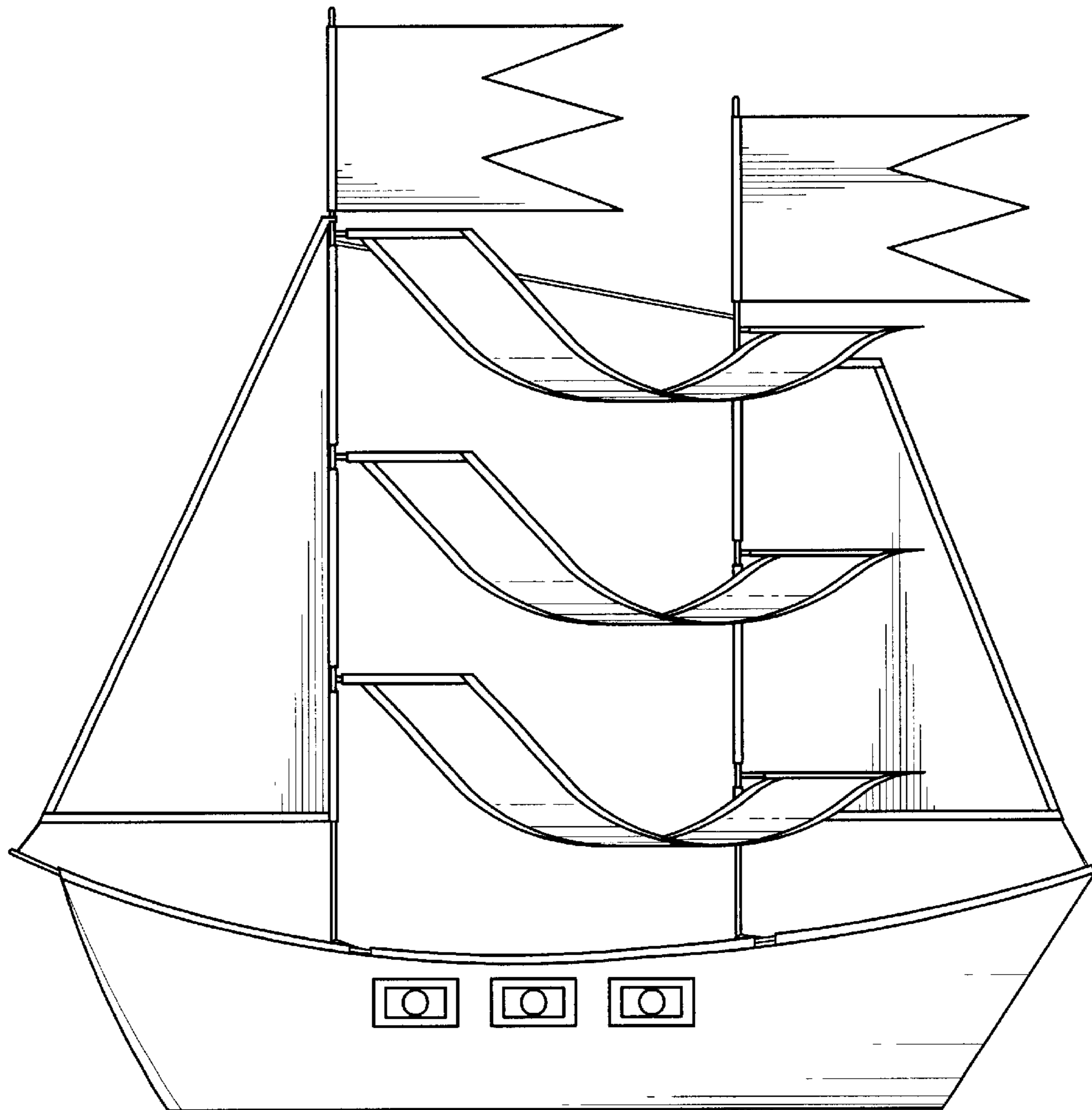


FIG. 2

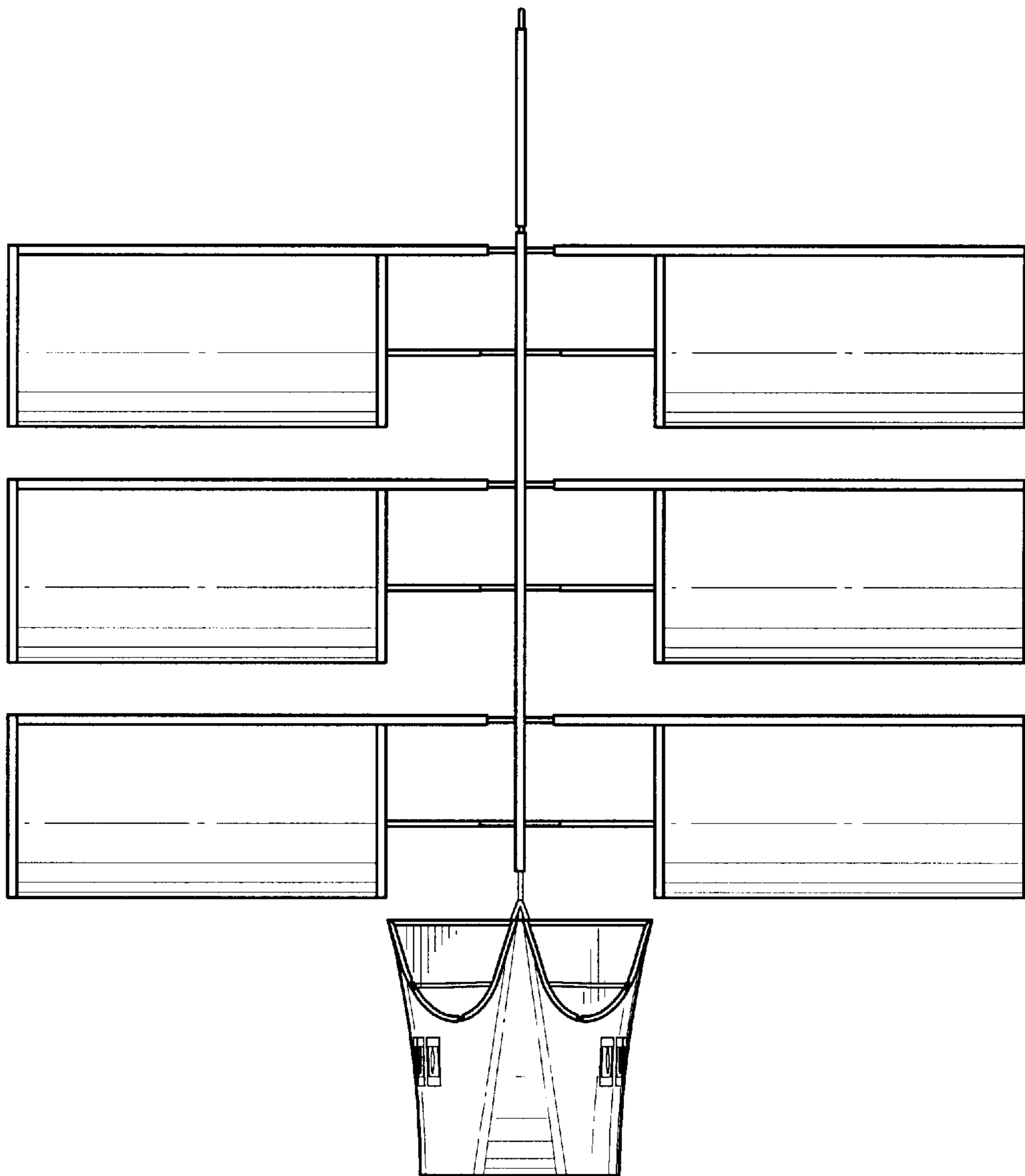


FIG. 3

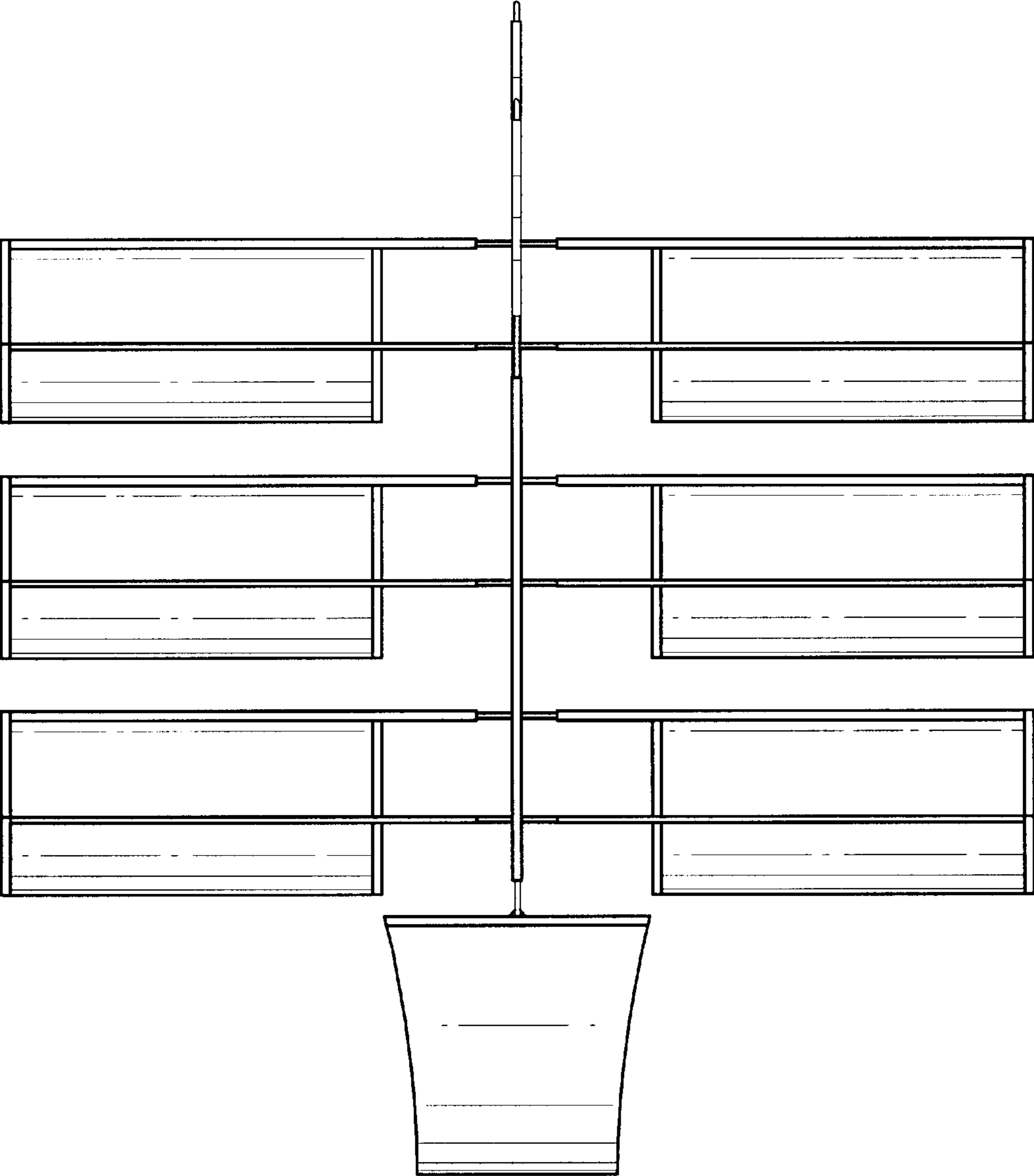


FIG. 4

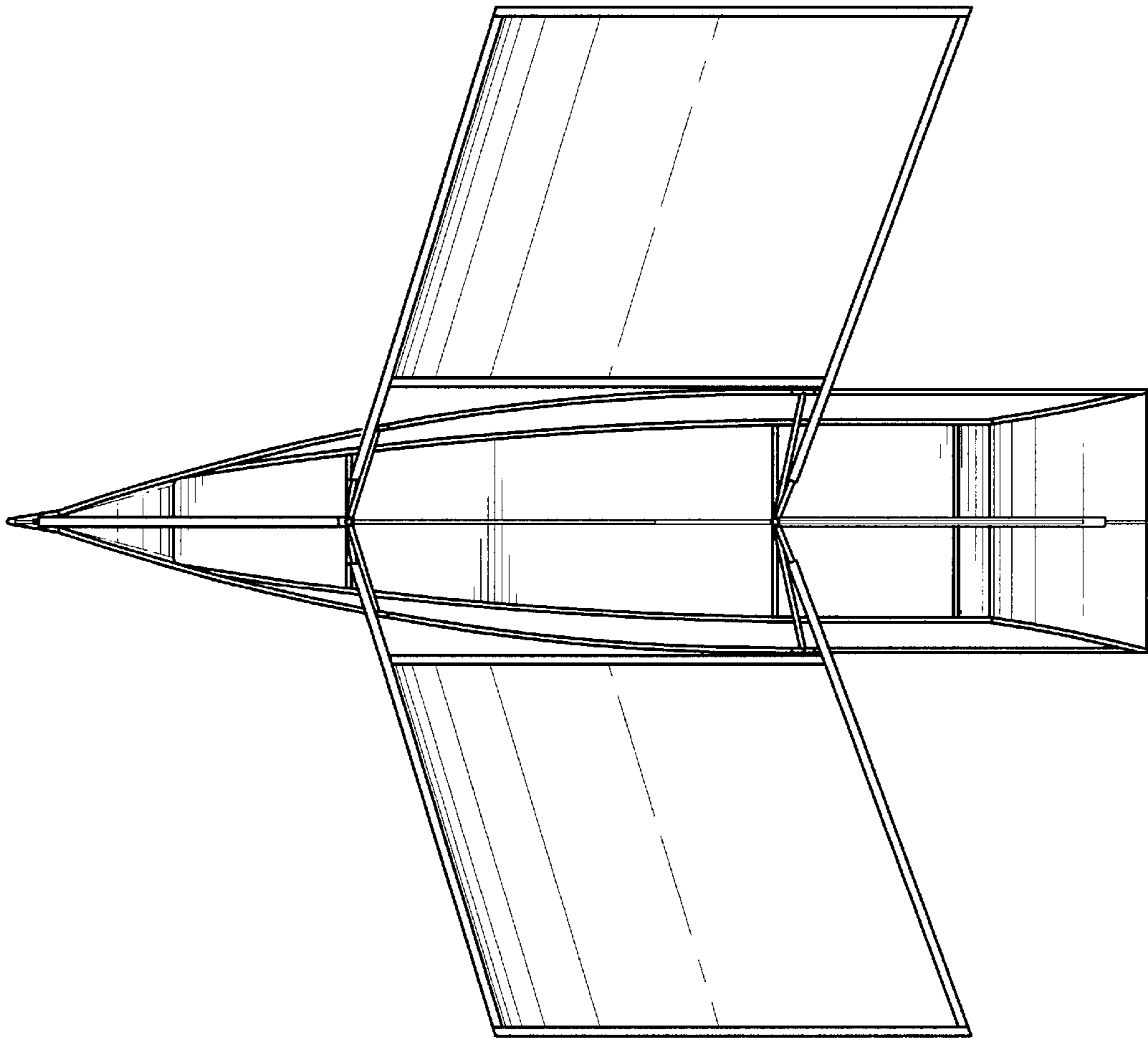


FIG. 5

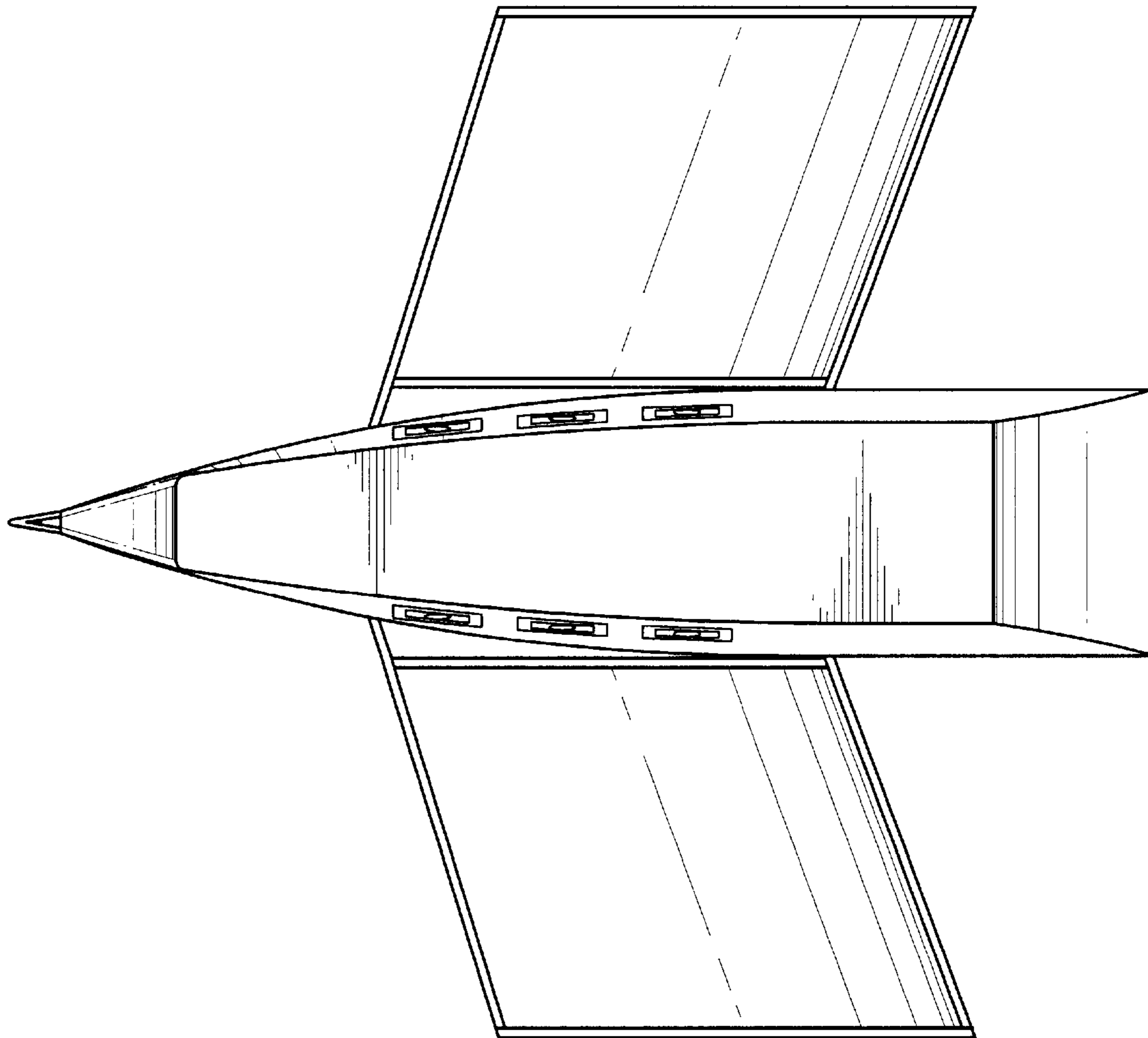


FIG. 6