

US00D509250S

(12) **United States Design Patent**
Hough et al.

(10) **Patent No.: US D509,250 S**
(45) **Date of Patent: ** Sep. 6, 2005**

(54) **FOLIO FILER**

D424,622 S * 5/2000 Moor D19/99
D471,014 S * 3/2003 Shapiro D3/303

(75) Inventors: **Jack Hough**, Chicago, IL (US); **Jin Ko**, Evanston, IL (US); **Sona Patadia**, Chicago, IL (US); **Evan Ward**, Chicago, IL (US)

OTHER PUBLICATIONS

ACCO Brands, Inc., Fact Book 2003, Jan. 1, 2003, pgs. 71 and 74–78.

ACCO Brands, Inc., Fact Book 2001, Jan. 1, 2001, pgs. 80–92.

* cited by examiner

(73) Assignee: **ACCO Brands, Inc**, Lincolnshire, IL (US)

Primary Examiner—Martie K. Holtje

(**) Term: **14 Years**

(74) *Attorney, Agent, or Firm*—Michael Best & Friedrich LLP

(21) Appl. No.: **29/194,059**

(22) Filed: **Nov. 19, 2003**

(57) **CLAIM**

(51) **LOC (8) Cl.** **19-02**

The ornamental design for a folio filer, as shown and described.

(52) **U.S. Cl.** **D19/99; D19/86; D19/90**

(58) **Field of Search** D3/303, 900; D19/26, D19/27–33, 75, 78, 86, 90, 91, 99, 100, 35, 36, 65; D11/222, 227; 229/67.1–67.4, 77, 71, 69, 78.1, 78.2, 117.09, 928; 24/2, 90.1, 102 A, 113 R, 113 MP, 111, 114.3, 114.9; 434/260; 402/4, 73, 79, 80 P, 80 R; 281/15.1, 19.1, 21.1, 29–31, 32–35, 45, 48, 51; 206/311, 425, 737

DESCRIPTION

FIG. 1 is a perspective view of a folio filer according to the invention;

FIG. 2 is a front view of the folio filer of FIG. 1;

FIG. 3 is an enlarged front elevational view of the button portion of the folio filer of FIG. 1 shown separately for ease of illustration;

FIG. 4 is a side elevational view of FIG. 3, the opposite side being identical thereto;

FIG. 5 is a top plan view of FIG. 3, the bottom view being identical thereto; and,

FIG. 6 is a cross-sectional view taken in the direction of arrows 6–6 in FIG. 3.

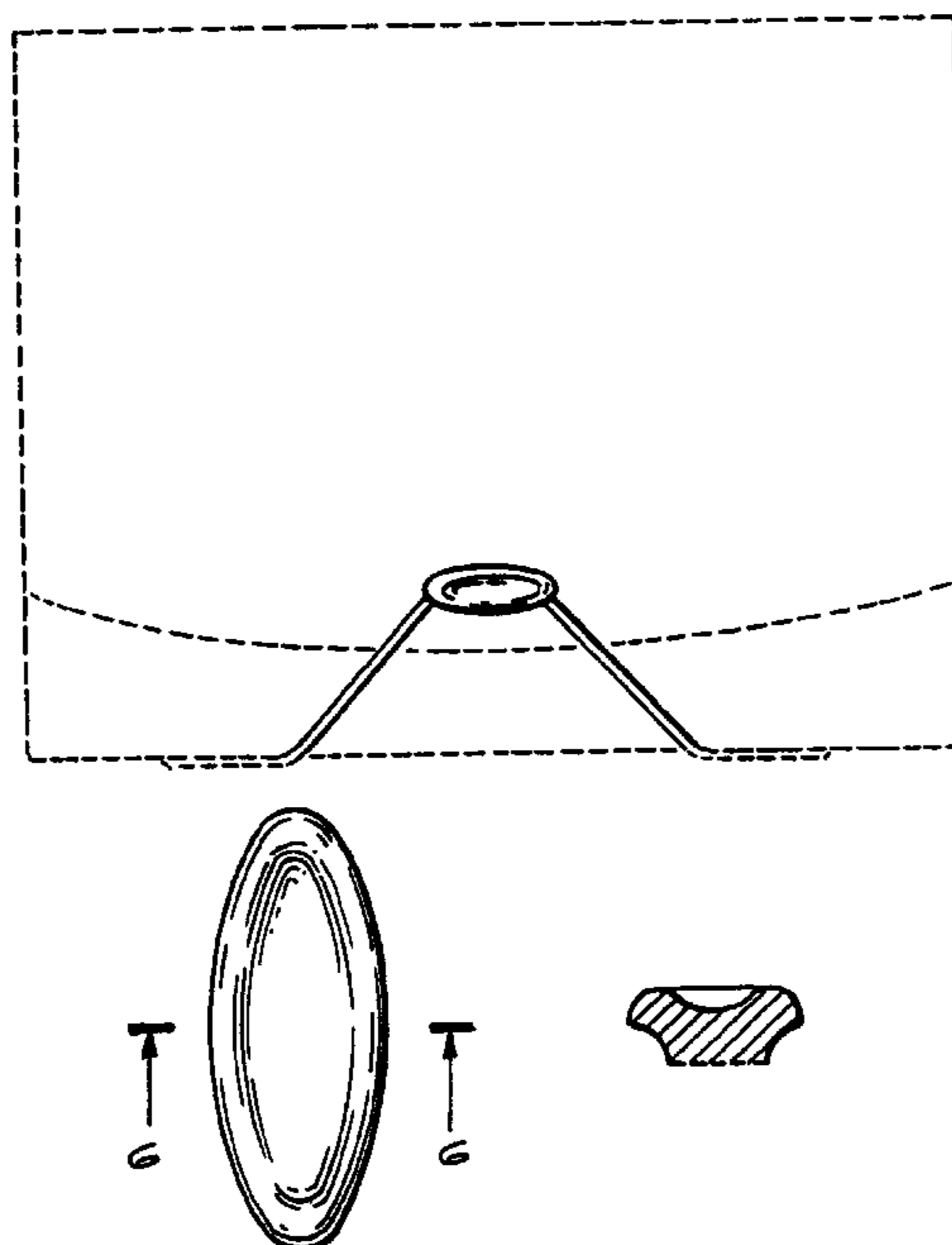
The broken line showing of the environment is for illustrative purposes only and forms no part of the claimed design.

(56) **References Cited**

U.S. PATENT DOCUMENTS

D47,860 S * 9/1915 Palmer D11/222
1,199,634 A * 9/1916 Urmston 229/77
1,445,298 A * 2/1923 Curnan 229/78.2
1,759,255 A * 5/1930 Greenhaus 229/67.4
1,788,418 A * 1/1931 Andrews 229/77
2,151,469 A * 3/1939 Hochtheil 229/69
2,275,956 A * 3/1942 Grace 434/260
D135,559 S * 4/1943 Novick D11/227

1 Claim, 2 Drawing Sheets



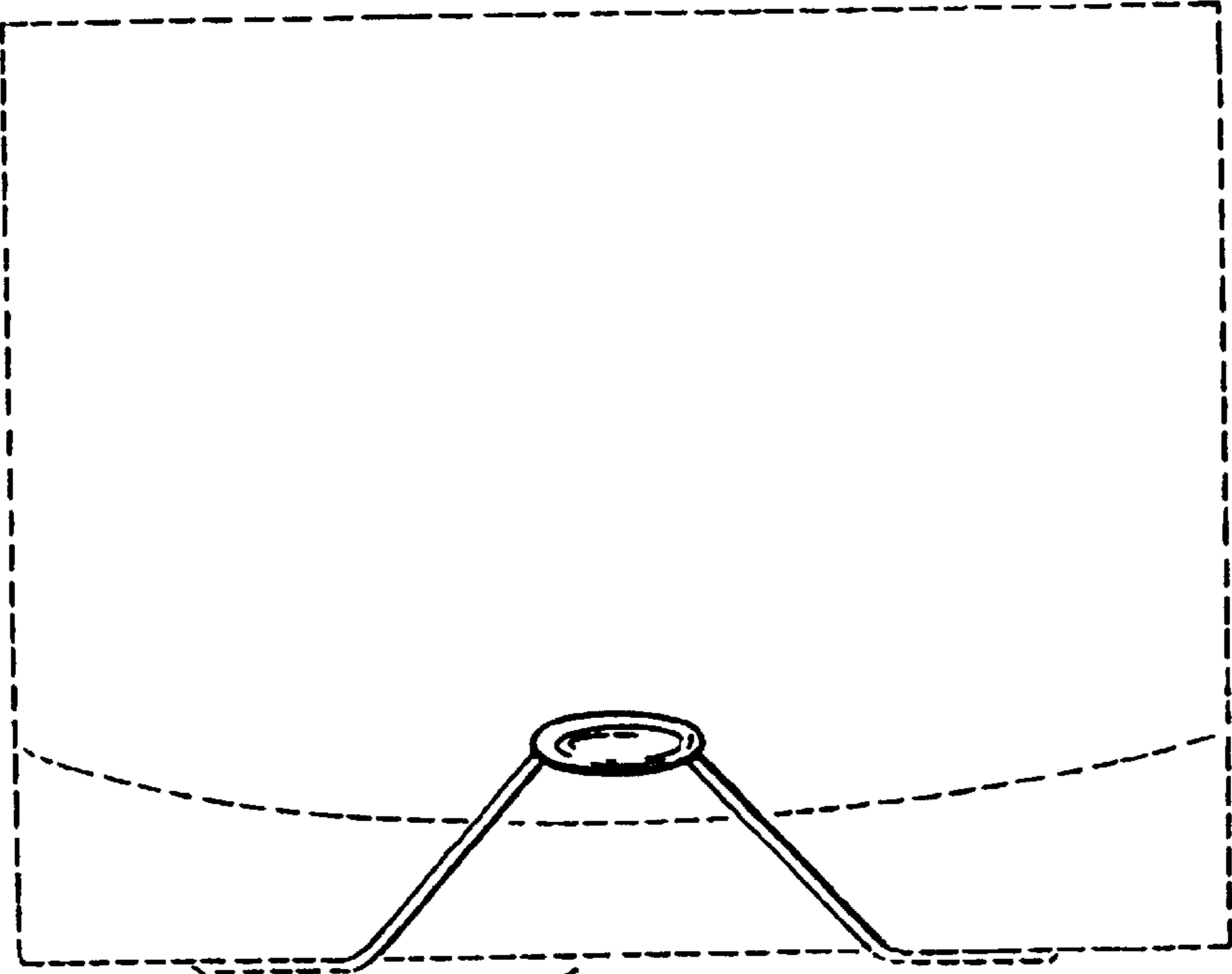


Fig. 2

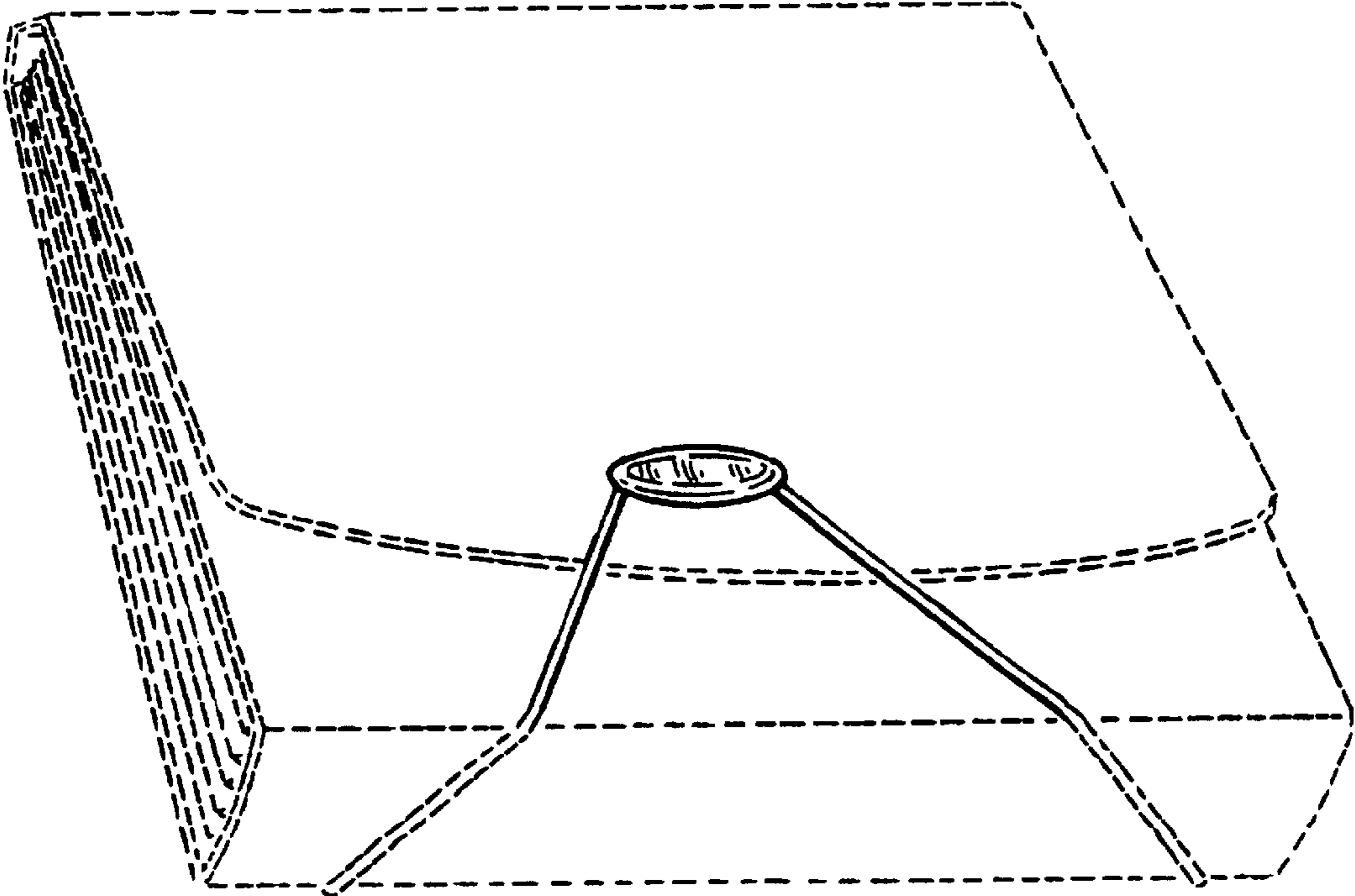


Fig. 1

Fig. 4

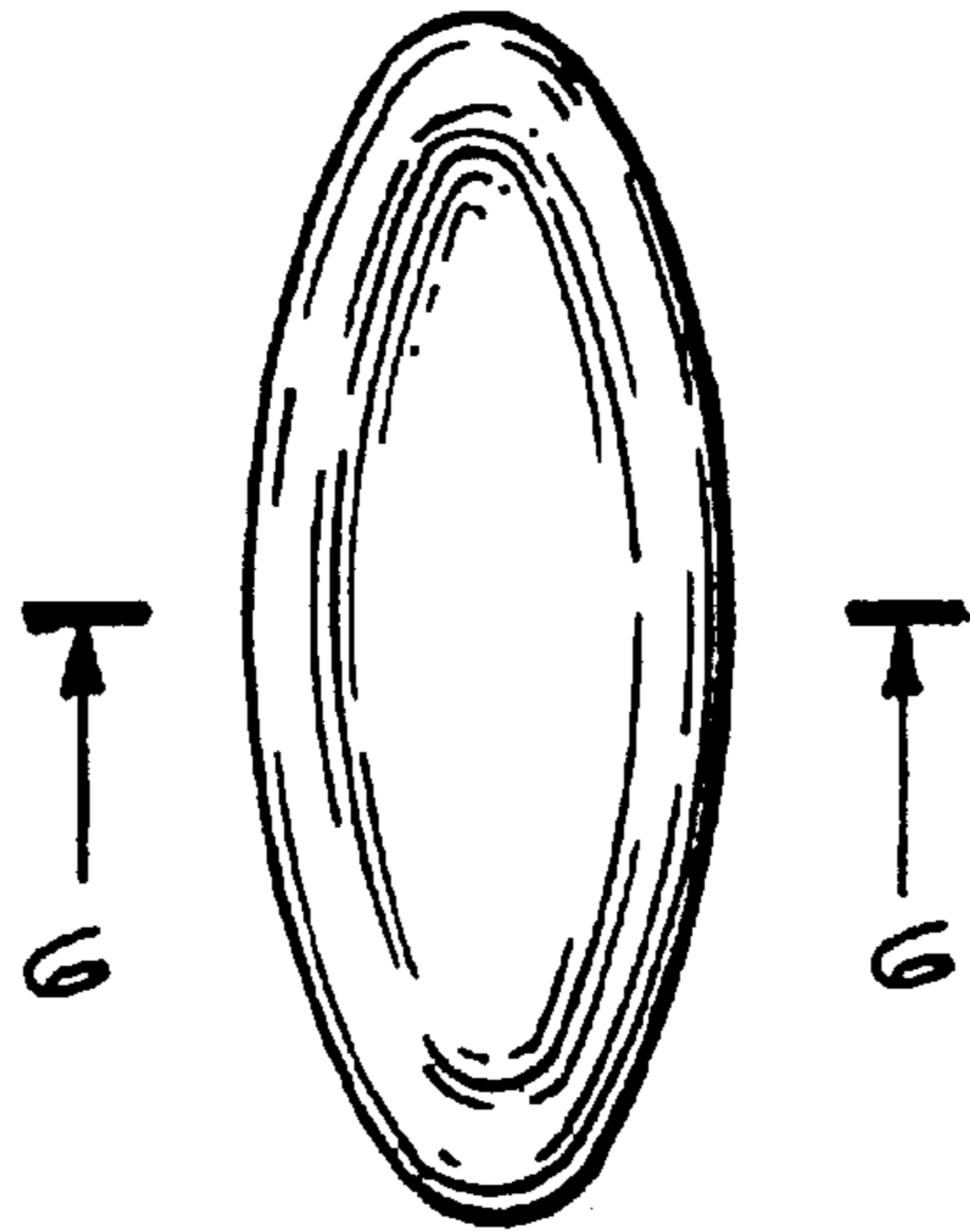


Fig. 3



Fig. 6

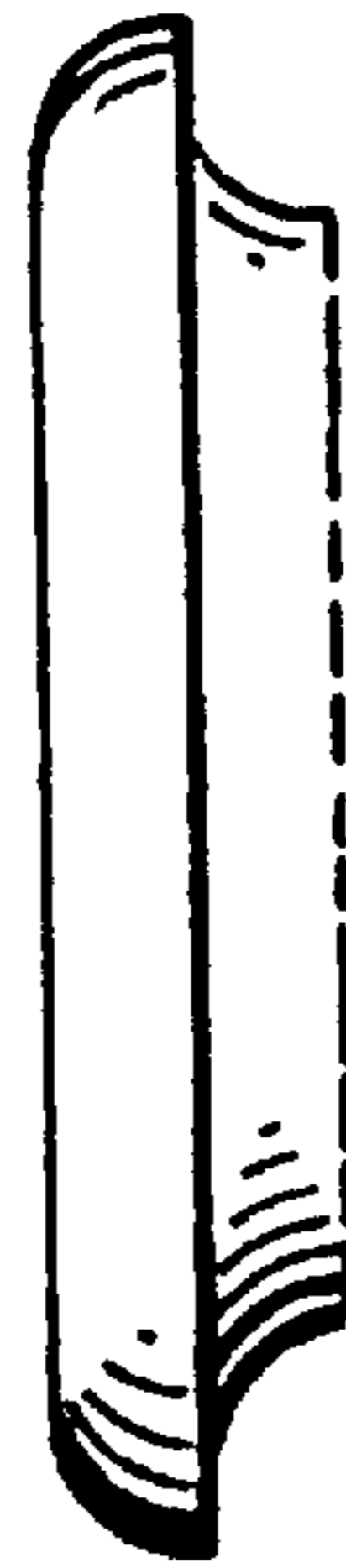


Fig. 5