

US00D509249S

(12) **United States Design Patent** (10) **Patent No.:** **US D509,249 S**
Nelson et al. (45) **Date of Patent:** **** Sep. 6, 2005**

(54) **BOOK CARRIER ORGANIZER TRAY**
 (75) Inventors: **Janet S. Nelson**, Sun Prairie, WI (US);
Douglas E. Engbring, Madison, WI (US)
 (73) Assignee: **Demco, Inc.**, Madison, WI (US)
 (**) Term: **14 Years**
 (21) Appl. No.: **29/172,879**
 (22) Filed: **Dec. 18, 2002**
 (51) **LOC (8) Cl.** **19-06**
 (52) **U.S. Cl.** **D19/75; D19/78; D19/91**
 (58) **Field of Search** D19/35, 36, 41-51,
 D19/52, 65, 75, 77, 78, 81-85, 86, 87,
 92, 95, 99, 100; D6/406.1-406.6, 419,
 420; 206/204, 214, 371; 211/10, 11, 49,
 55, 50, 69.1-69.9, 126.13, 126.16; 312/223.4

D353,276 S 12/1994 Foran et al.
 D354,310 S * 1/1995 Crist et al. D19/75
 D355,217 S * 2/1995 Luna D19/78
 D357,034 S * 4/1995 King D19/77
 D359,179 S 6/1995 Cucinotta
 D360,725 S 7/1995 Snell
 5,447,215 A 9/1995 Volkmar et al.
 5,487,466 A 1/1996 Robson
 D382,595 S 8/1997 Raines
 5,664,676 A 9/1997 Levins
 D384,699 S 10/1997 Greene
 5,690,216 A 11/1997 Liu
 5,848,798 A 12/1998 Halvorson, Jr. et al.
 6,024,427 A 2/2000 Underwood et al.
 6,129,366 A 10/2000 Dettmann et al.
 D438,252 S 2/2001 Trombly
 D469,126 S 1/2003 Joss et al.
 D470,533 S * 2/2003 Stravitz D19/87
 6,572,123 B2 6/2003 Calmeise et al.
 6,591,990 B2 7/2003 Lanman et al.

* cited by examiner

Primary Examiner—Martie K. Holtje
 (74) *Attorney, Agent, or Firm*—Cook, Alex, McFarron,
 Manzo, Cummings & Mehler, Ltd.

(56) **References Cited**
 U.S. PATENT DOCUMENTS

348,124 A 8/1886 Hood
 2,160,141 A 5/1939 Haskin
 D179,342 S * 12/1956 Flicht D19/78
 2,876,780 A 3/1959 Vogel
 3,487,945 A 1/1970 Barham
 4,176,743 A 12/1979 Fitzpatrick
 D267,959 S 2/1983 Cheung
 4,406,368 A * 9/1983 Hermes 206/371
 D276,444 S 11/1984 Battle
 4,919,276 A 4/1990 Kim et al.
 5,016,948 A 5/1991 Welch et al.
 D319,075 S 8/1991 Sweeny et al.
 D320,619 S * 10/1991 Schlee et al. D19/78
 D328,099 S 7/1992 Williams
 5,152,542 A 10/1992 DeVoe
 D333,841 S * 3/1993 Henricksen D19/78
 D333,842 S 3/1993 Kirchner
 D338,495 S 8/1993 Carella
 D348,692 S 7/1994 Hou

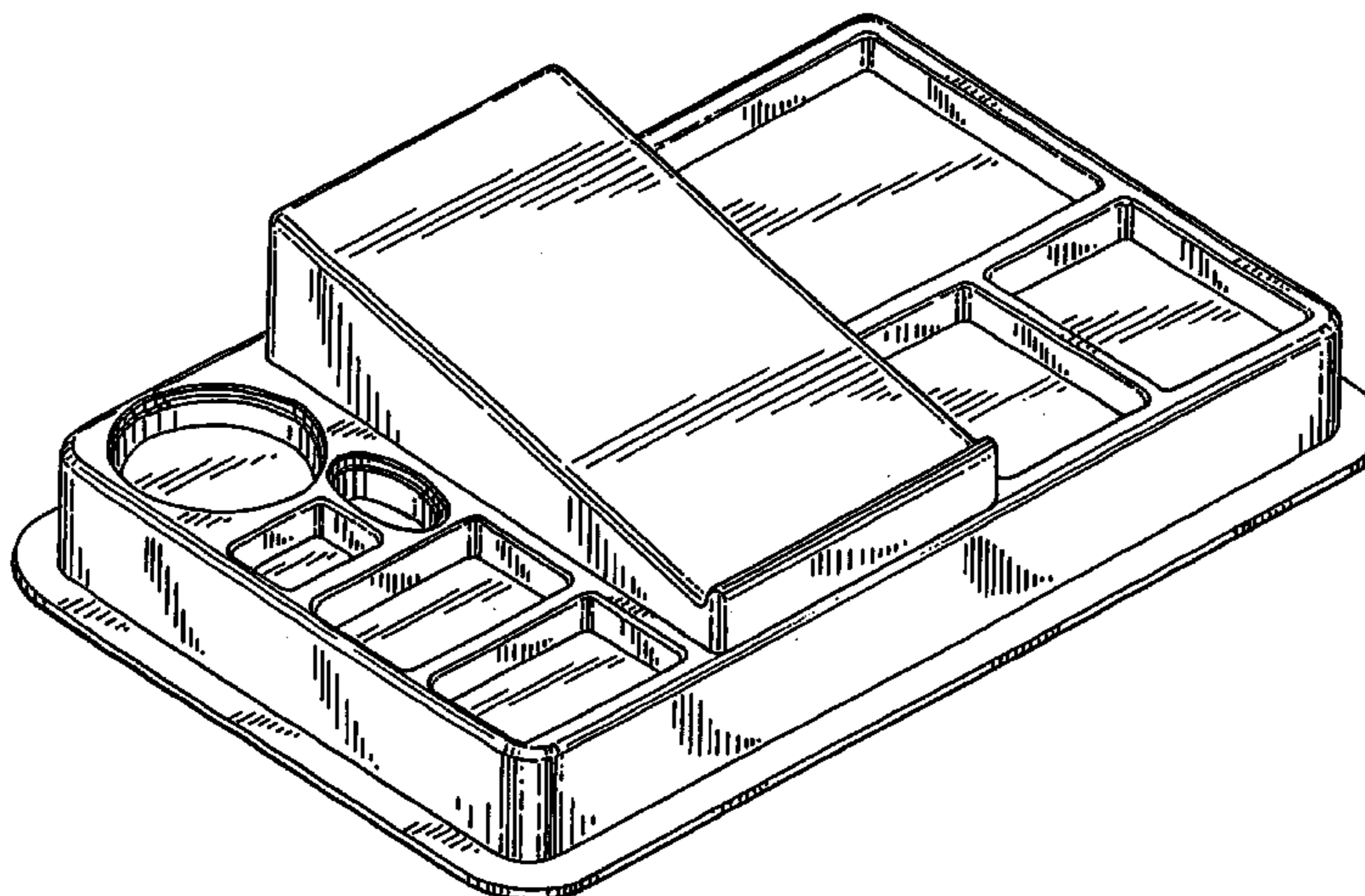
(57) **CLAIM**

The ornamental design for a book carrier organizer tray, as shown and described.

DESCRIPTION

FIG. 1 is a front perspective view of a book carrier organizer tray showing our new design;
 FIG. 2 is a front elevational view thereof;
 FIG. 3 is a rear elevational view thereof;
 FIG. 4 is a left side elevational view thereof;
 FIG. 5 is a right side elevational view thereof;
 FIG. 6 is a top plan view thereof; and,
 FIG. 7 is a bottom plan view thereof.
 The broken lines in the drawings are for illustrative purposes only and form no part of the invention.

1 Claim, 3 Drawing Sheets



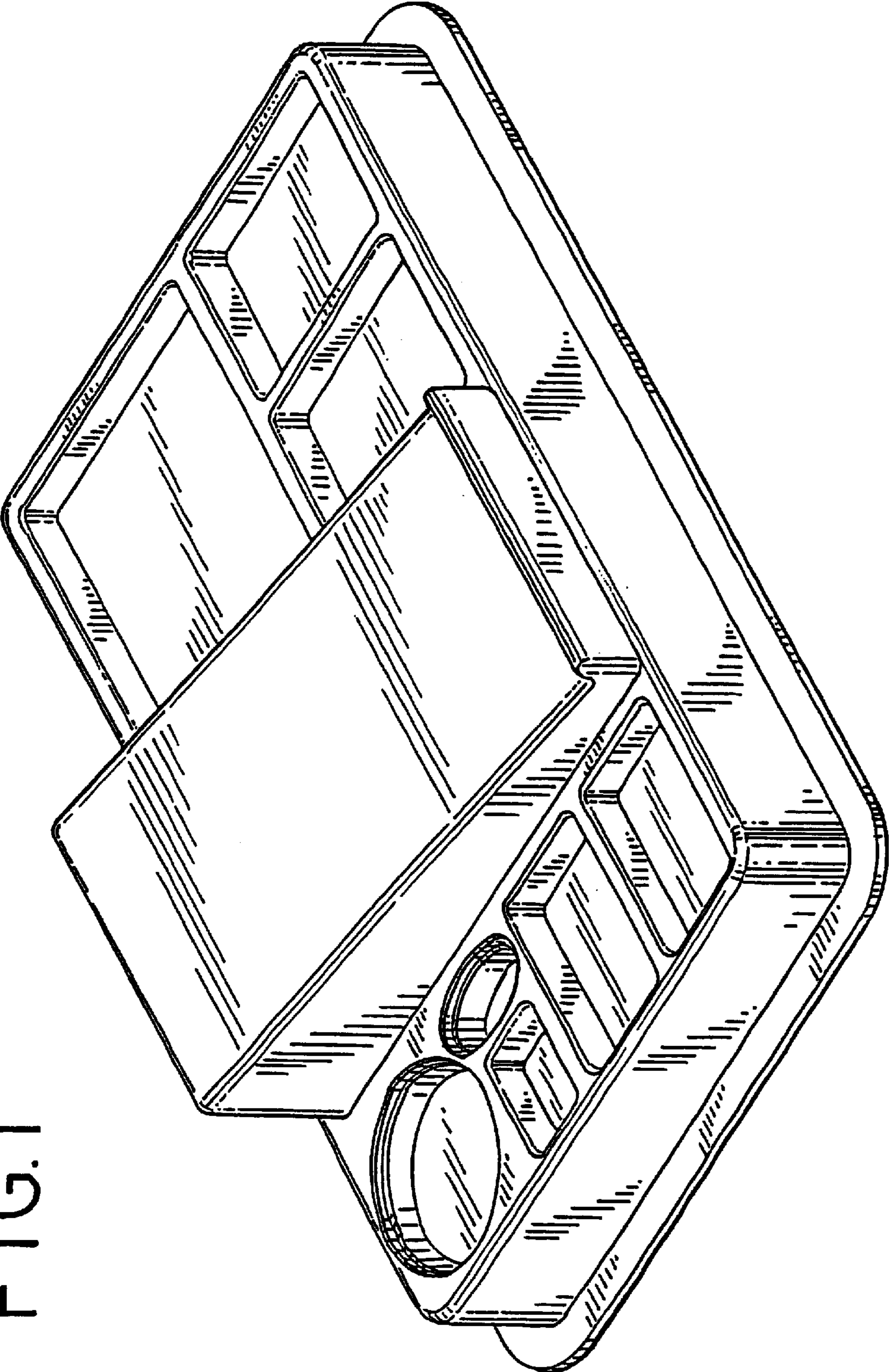


FIG. 1

FIG. 2

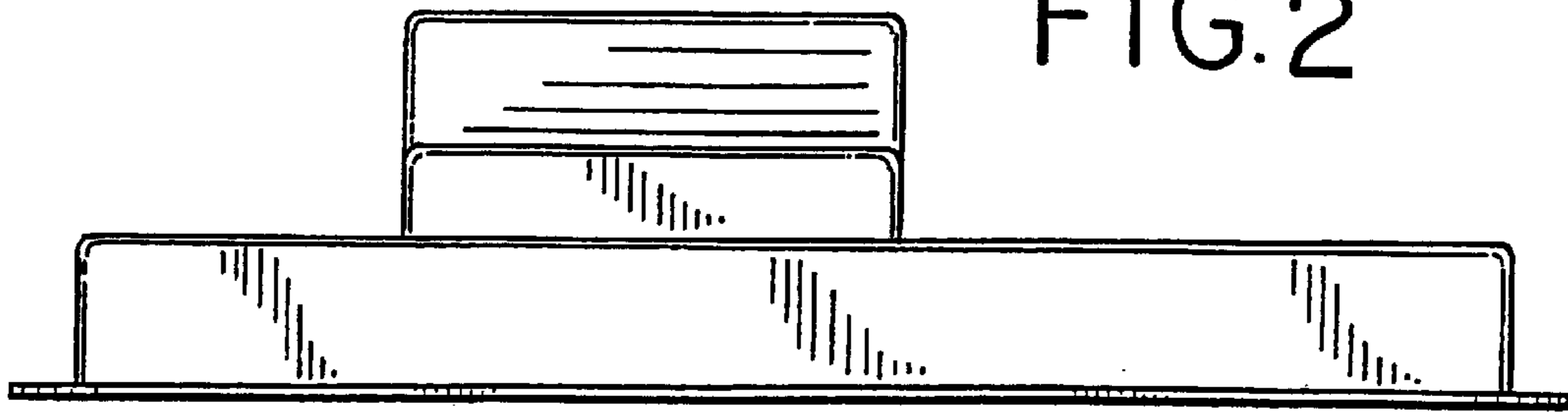


FIG. 3

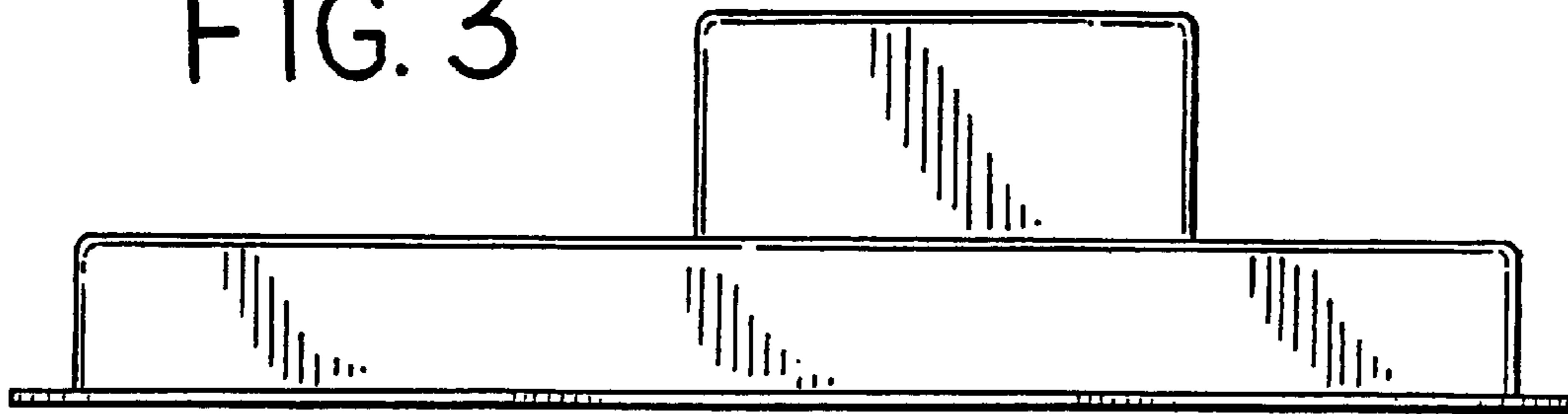


FIG. 4

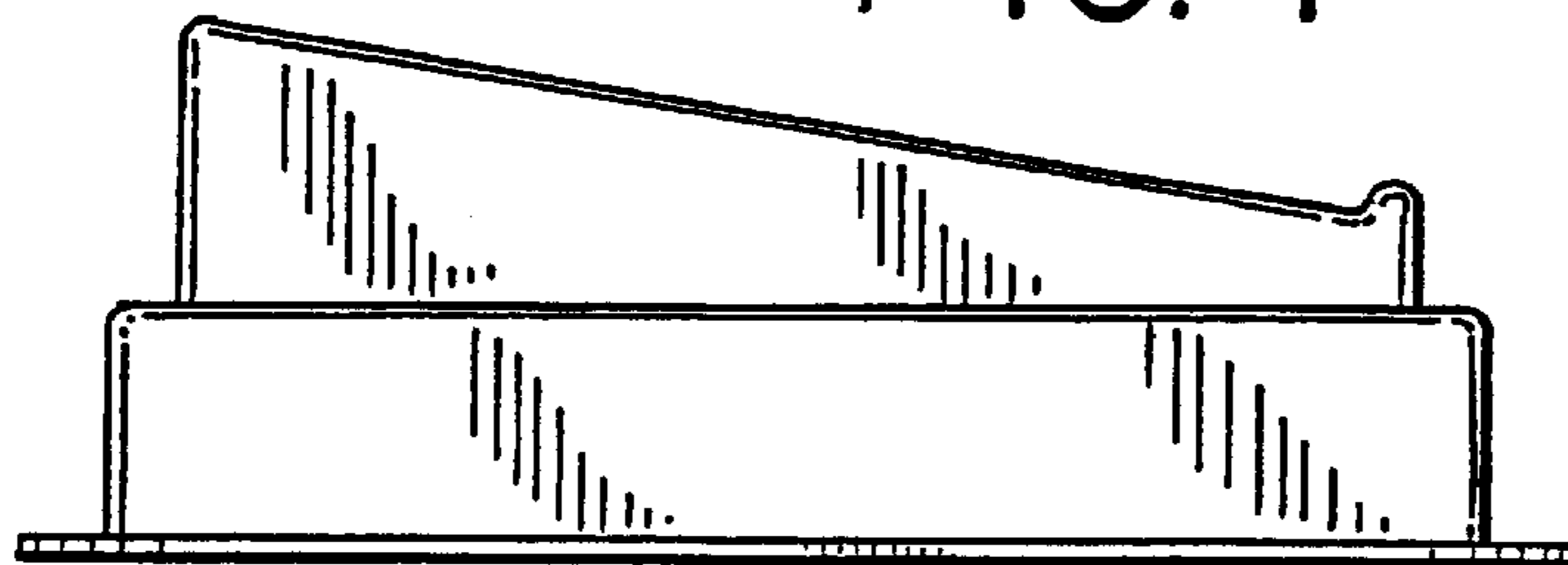


FIG. 5

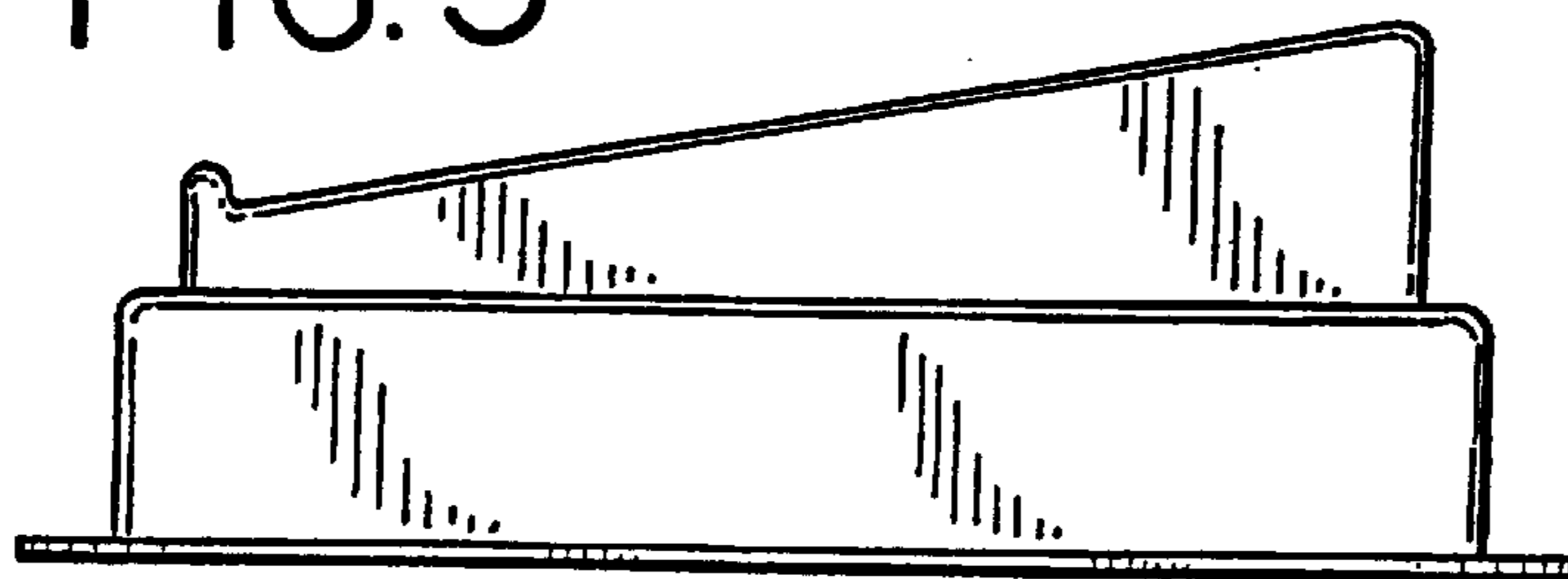


FIG. 6

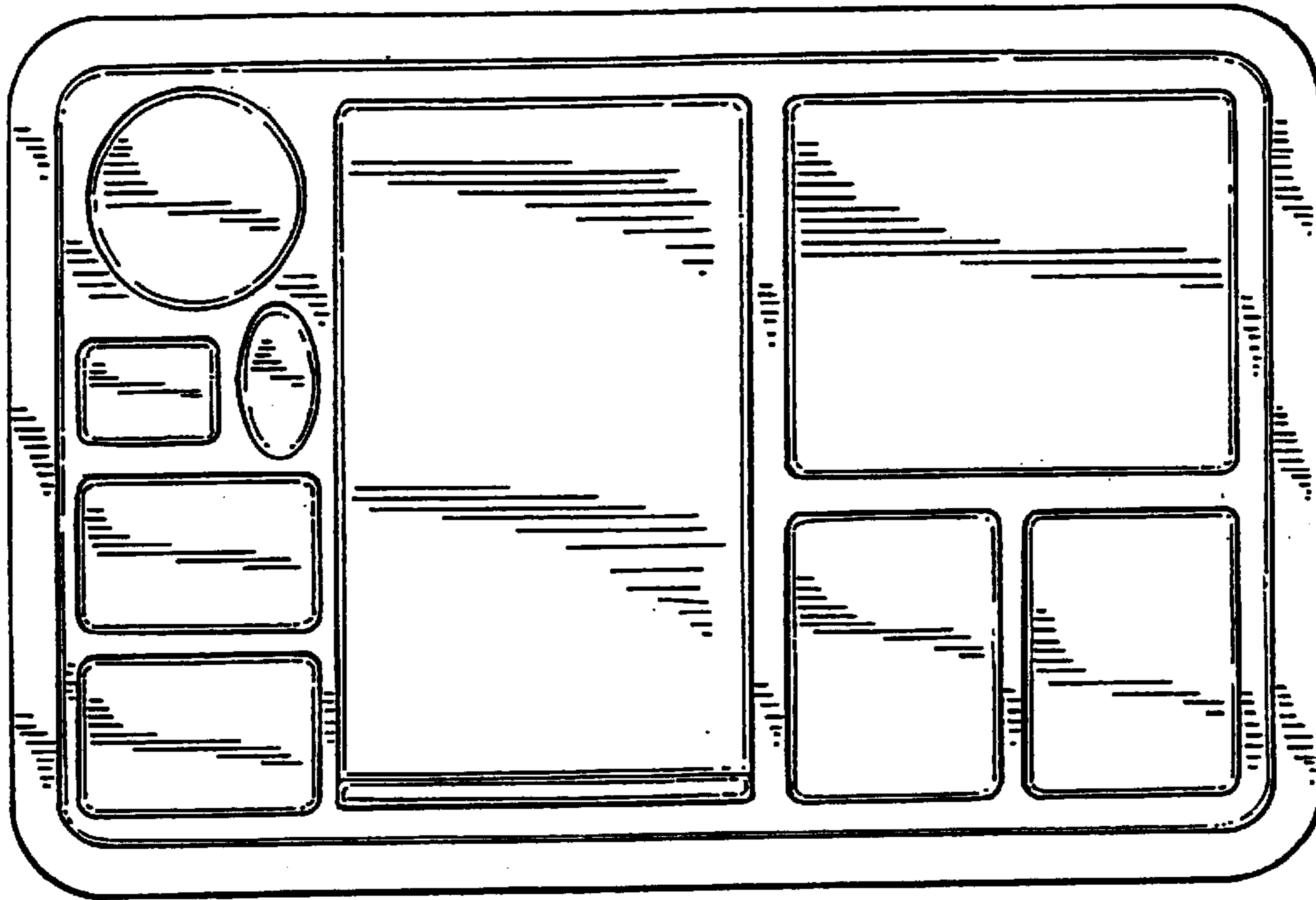


FIG. 7

