

US00D509247S

(12) **United States Design Patent** (10) **Patent No.:** **US D509,247 S**
Nash (45) **Date of Patent:** **** Sep. 6, 2005**

(54) **FOLDING DRY ERASE BOARD**

(75) Inventor: **James E. Nash**, Bloomington, MN (US)

(73) Assignee: **3M Innovative Properties Company**, St. Paul, MN (US)

(**) Term: **14 Years**

(21) Appl. No.: **29/210,038**

(22) Filed: **Jul. 26, 2004**

(51) **LOC (8) Cl.** **19-06**

(52) **U.S. Cl.** **D19/52; D19/35**

(58) **Field of Search** D19/35, 36, 52, D19/65, 75, 78, 81-85, 86, 88, 90, 99, 100; D20/10, 39-42; 434/408-425, 428-430; 248/441.1; 40/1, 124.01-124.05, 124.09, 124.11

(56) **References Cited**

U.S. PATENT DOCUMENTS

165,747 A	*	7/1875	Meigs, Jr.	434/422
227,662 A	*	5/1880	Thompson	434/422
3,011,988 A		12/1961	Luedke	
3,691,140 A		9/1972	Silver	
D232,231 S	*	7/1974	Langieri	D19/52
D246,180 S	*	10/1977	Yamauchi	D19/52
4,584,356 A		4/1986	Crivello	
4,728,571 A		3/1988	Clemens	
4,828,502 A		5/1989	Leahy	
4,885,332 A		12/1989	Bilkadi	
5,028,075 A	*	7/1991	Donnelly	281/49
5,045,569 A		9/1991	Delgado	
5,104,929 A		4/1992	Bilkadi	
5,163,845 A		11/1992	Blassingame	
D332,466 S	*	1/1993	Logan	D19/36
D366,280 S	*	1/1996	Henderson	D19/52
5,501,603 A		3/1996	Mueller et al.	
5,571,617 A		11/1996	Coopriider et al.	
5,626,478 A		5/1997	Gatlin	
D391,987 S	*	3/1998	Jambhekar et al.	D14/345
5,743,414 A		4/1998	Baudino	
D399,526 S	*	10/1998	Brady	D14/345

5,824,748 A		10/1998	Kesti et al.	
D400,578 S	*	11/1998	Takemura	D19/26
5,941,713 A		8/1999	Wayner et al.	
5,987,825 A		11/1999	Rosen	
5,989,676 A		11/1999	Davis et al.	
6,164,976 A		12/2000	Wilson	
6,265,061 B1		7/2001	Kang et al.	
6,458,462 B1		10/2002	Kang et al.	

FOREIGN PATENT DOCUMENTS

WO WO 94/19420 9/1994

* cited by examiner

Primary Examiner—Martie K. Holtje

(74) *Attorney, Agent, or Firm*—Yen Tong Florczak

(57) **CLAIM**

The ornamental design for a folding dry erase board, as shown and described.

DESCRIPTION

FIG. 1 is a perspective view of a folding dry erase board, in an opened condition, according to the present invention; FIG. 2 is a front view of the folding dry erase board illustrated in FIG. 1, the rear view being the mirror image thereof;

FIG. 3 is a back view of the folding dry erase board illustrated in FIG. 1;

FIG. 4 is a top view of the folding dry erase board illustrated in FIG. 1;

FIG. 5 is a bottom view of the folding dry erase board illustrated in FIG. 1;

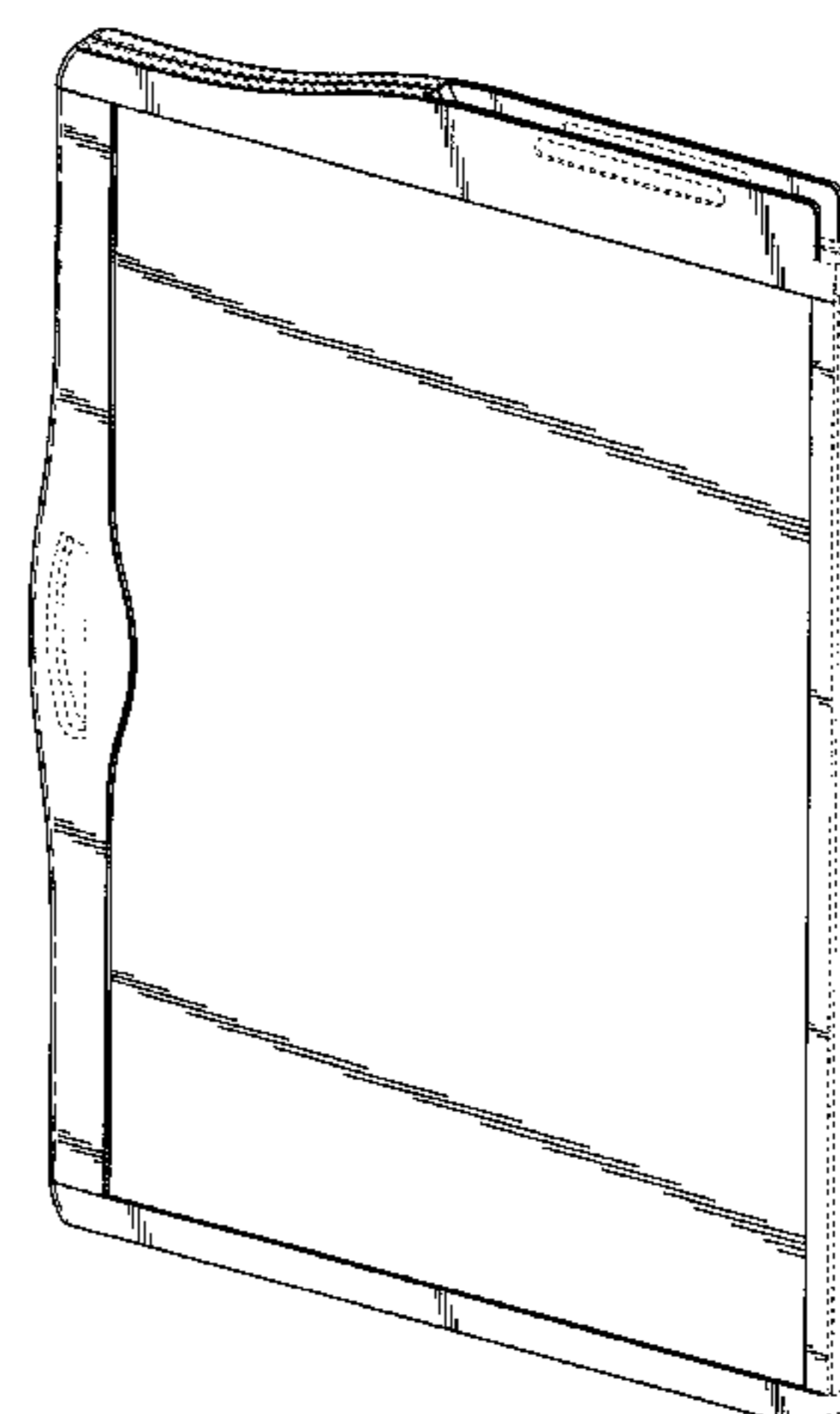
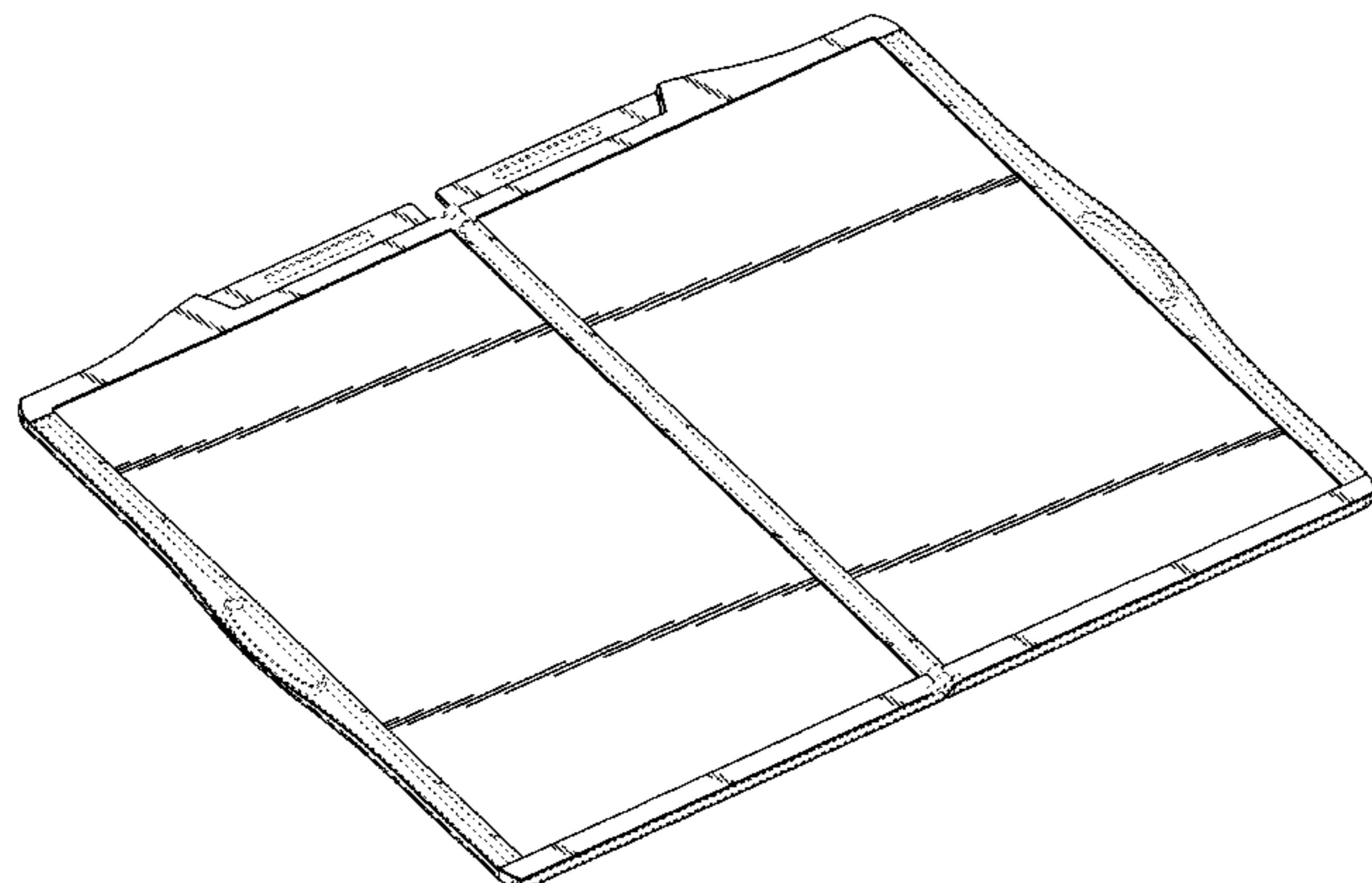
FIG. 6 is a left side view of the folding dry erase board illustrated in FIG. 1;

FIG. 7 is a right side view of the folding dry erase board illustrated in FIG. 1; and,

FIG. 8 is a perspective view of the folding dry erase board, shown in a folded condition.

The structure depicted by means of broken lines in the figures has been shown for illustrative purposes only and forms no part of the claimed design.

1 Claim, 6 Drawing Sheets



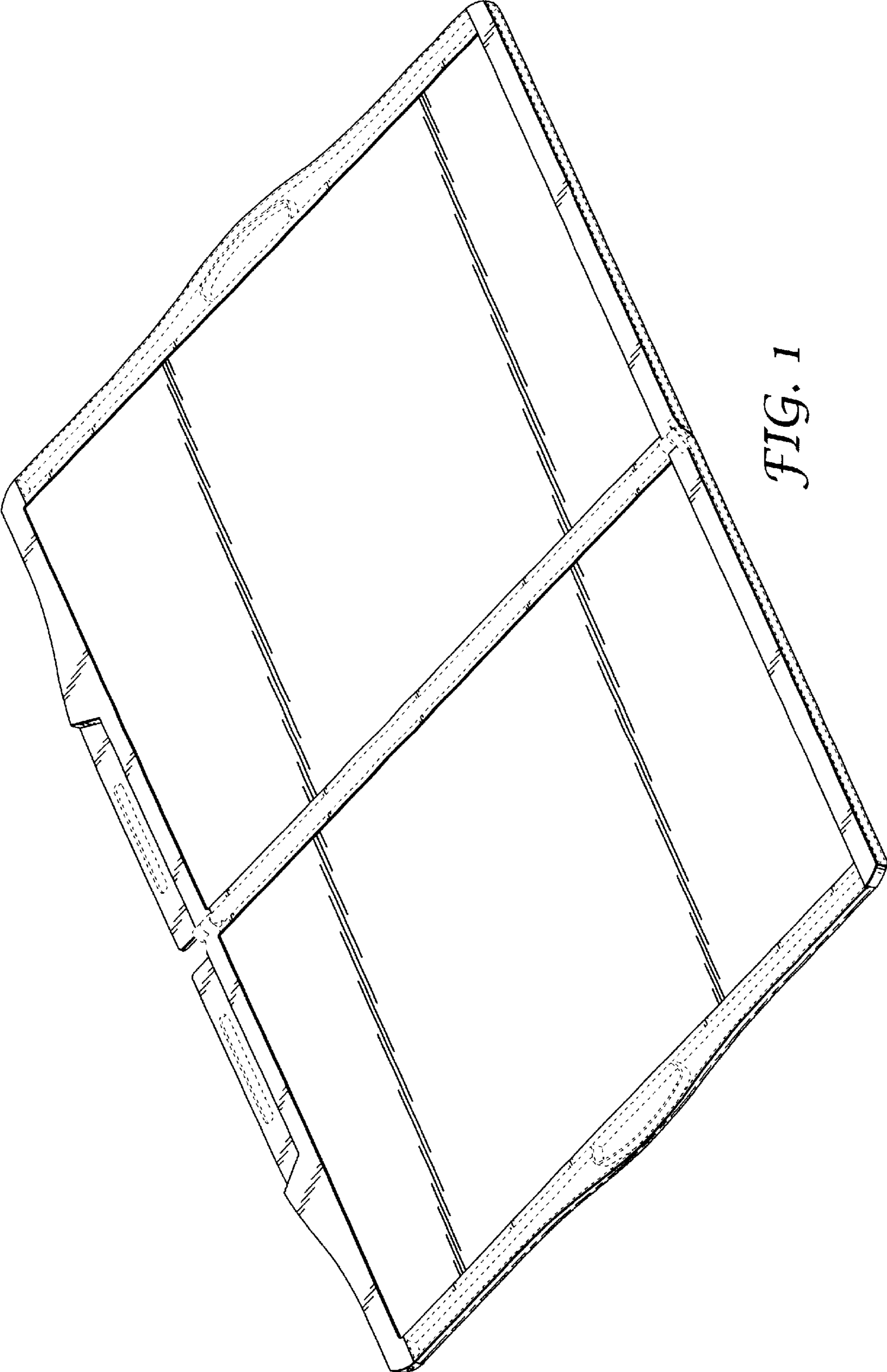
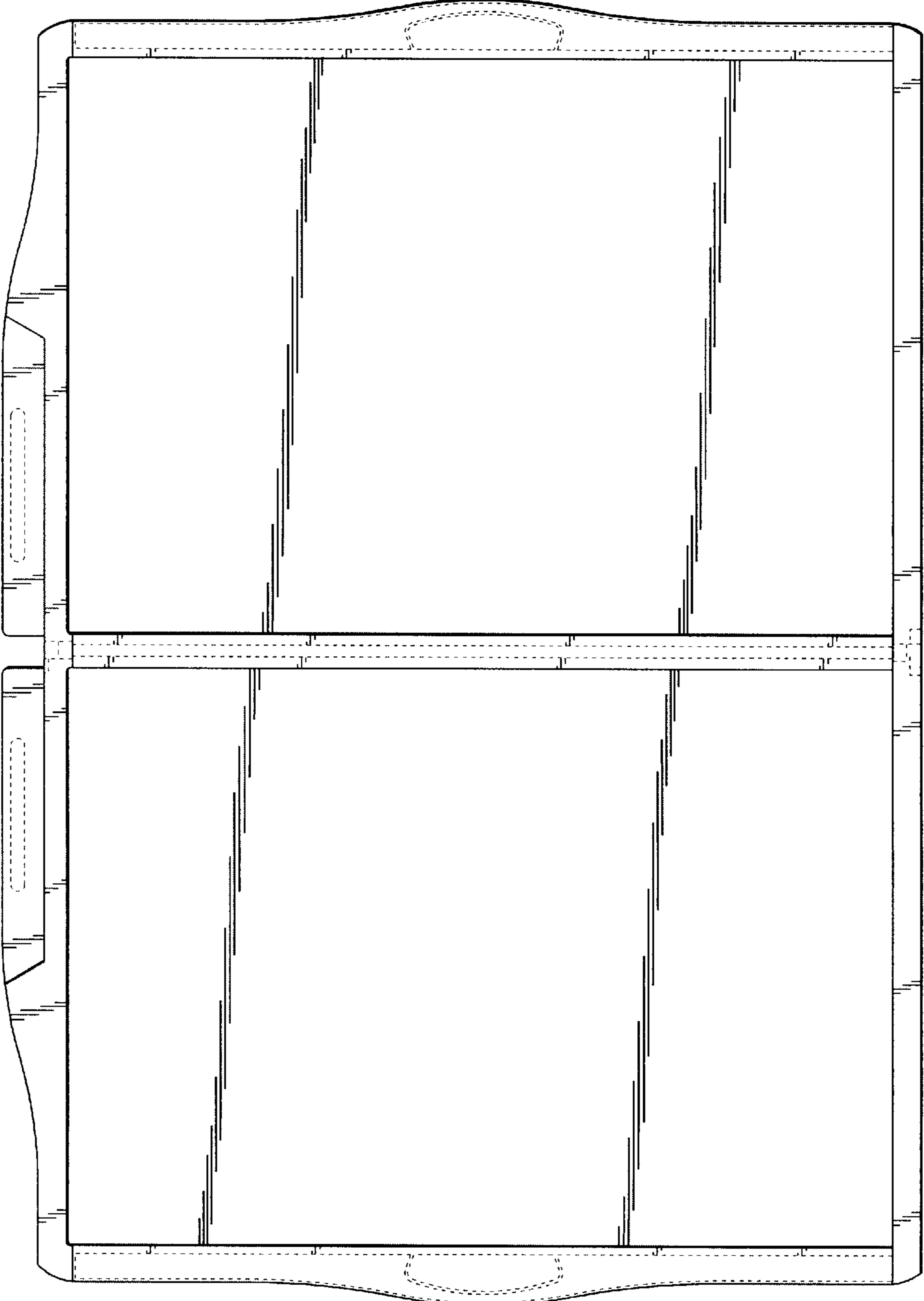


FIG. 1

FIG. 2



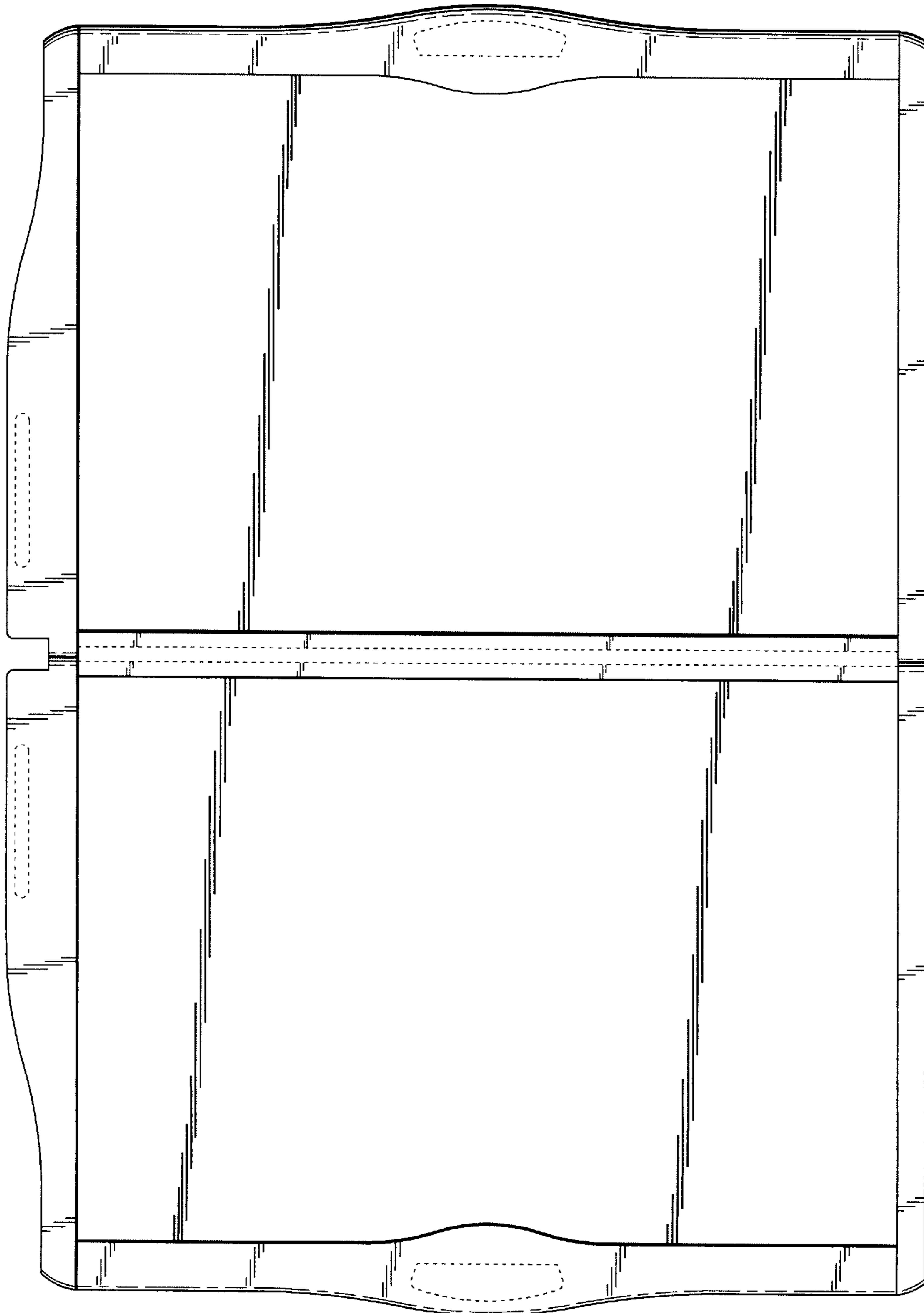


FIG. 3



FIG. 4



FIG. 5



FIG. 6



FIG. 7

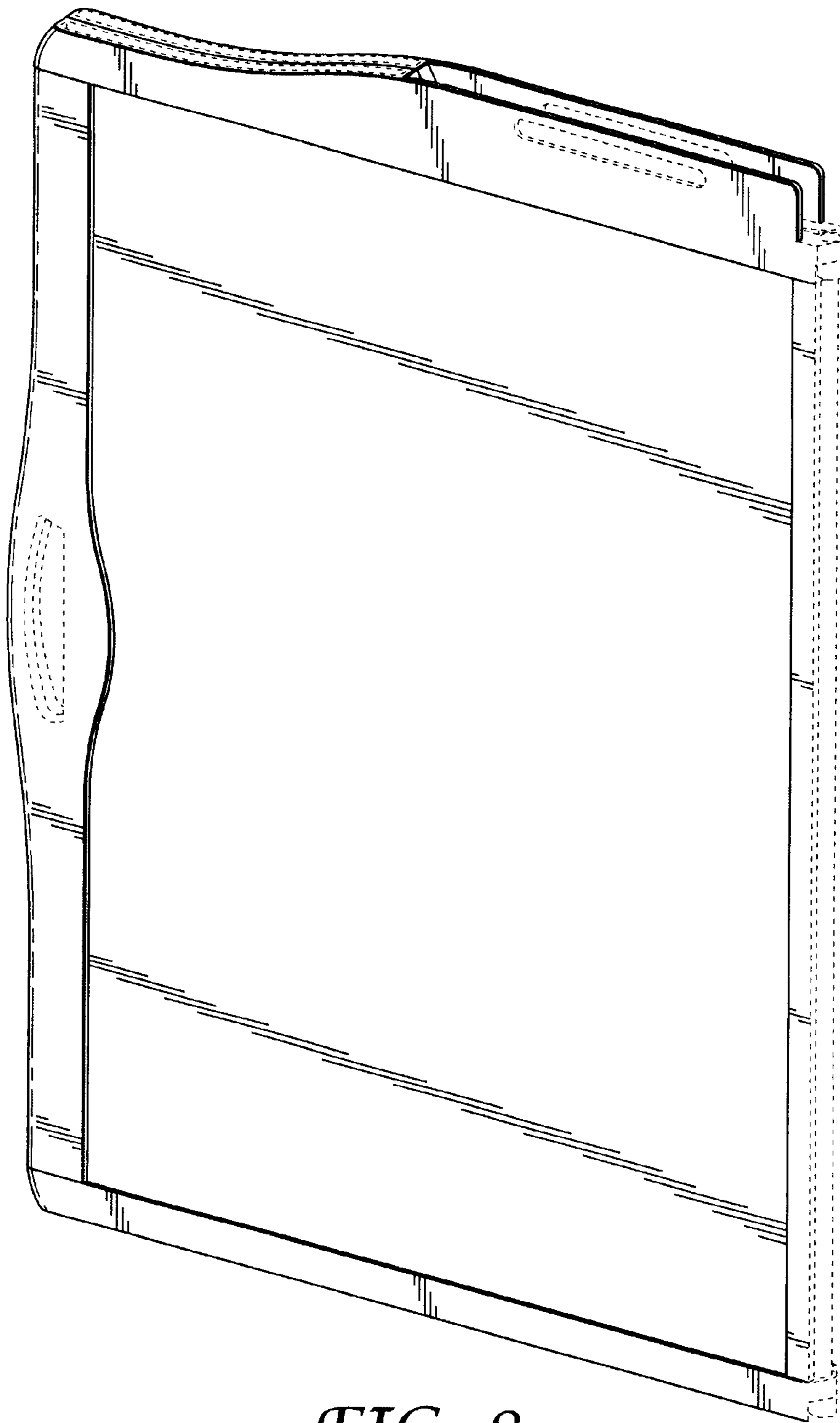


FIG. 8