

US00D509242S

(12) **United States Design Patent**  
**Muranaka**

(10) **Patent No.:** **US D509,242 S**  
(45) **Date of Patent:** **\*\* Sep. 6, 2005**

(54) **INK POUCH FOR A PRINTER INK CARTRIDGE**

(75) Inventor: **Masakazu Muranaka**, Tokyo (JP)

(73) Assignee: **Ricoh Company, Ltd.**, Tokyo (JP)

(\*\*) Term: **14 Years**

(21) Appl. No.: **29/193,082**

(22) Filed: **Nov. 4, 2003**

(30) **Foreign Application Priority Data**

May 9, 2003 (JP) ..... 2003-012866

(51) **LOC (8) Cl.** ..... **18-02**

(52) **U.S. Cl.** ..... **D18/56**

(58) **Field of Search** ..... D18/43, 56; 347/7,  
347/85-87; 383/80; 215/218; 222/107,  
464.1, 541.6

(56) **References Cited**

**U.S. PATENT DOCUMENTS**

4,669,124	A	*	5/1987	Kimura	.....	383/80
5,307,091	A	*	4/1994	DeCoste, Jr.	.....	347/86
5,466,131	A	*	11/1995	Altham et al.	.....	347/85
5,691,755	A	*	11/1997	Pawlowski et al.	.....	347/86
D387,379	S	*	12/1997	Sasaki	.....	D18/56
5,872,584	A	*	2/1999	Hauck et al.	.....	347/86

6,010,210	A	*	1/2000	Wilson et al.	.....	347/85
6,116,723	A	*	9/2000	Childers	.....	347/85
D444,814	S	*	7/2001	Hunt	.....	D18/56
D451,542	S	*	12/2001	Ishizawa et al.	.....	D18/56
6,471,333	B1	*	10/2002	Powell et al.	.....	347/86
6,609,789	B1	*	8/2003	Hunt	.....	347/86
6,692,116	B2	*	2/2004	Pan et al.	.....	347/85

\* cited by examiner

*Primary Examiner*—Cathy Anne MacCormac

(74) *Attorney, Agent, or Firm*—Dickstein Shapiro Morin & Oshinsky LLP

(57) **CLAIM**

The ornamental design for an ink pouch for a printer ink cartridge, as shown and described.

**DESCRIPTION**

FIG. 1 is a front elevation of an ink pouch for a printer ink cartridge according to the present invention; FIG. 2 is a rear elevation thereof; FIG. 3 is a top plan view thereof; FIG. 4 is a bottom plan view thereof; FIG. 5 is a right side elevation thereof; FIG. 6 is a left side elevation thereof; and, FIG. 7 is a top, front and right side perspective view thereof. The broken lines are for purposes of illustration only and form no part of the claimed design.

**1 Claim, 4 Drawing Sheets**

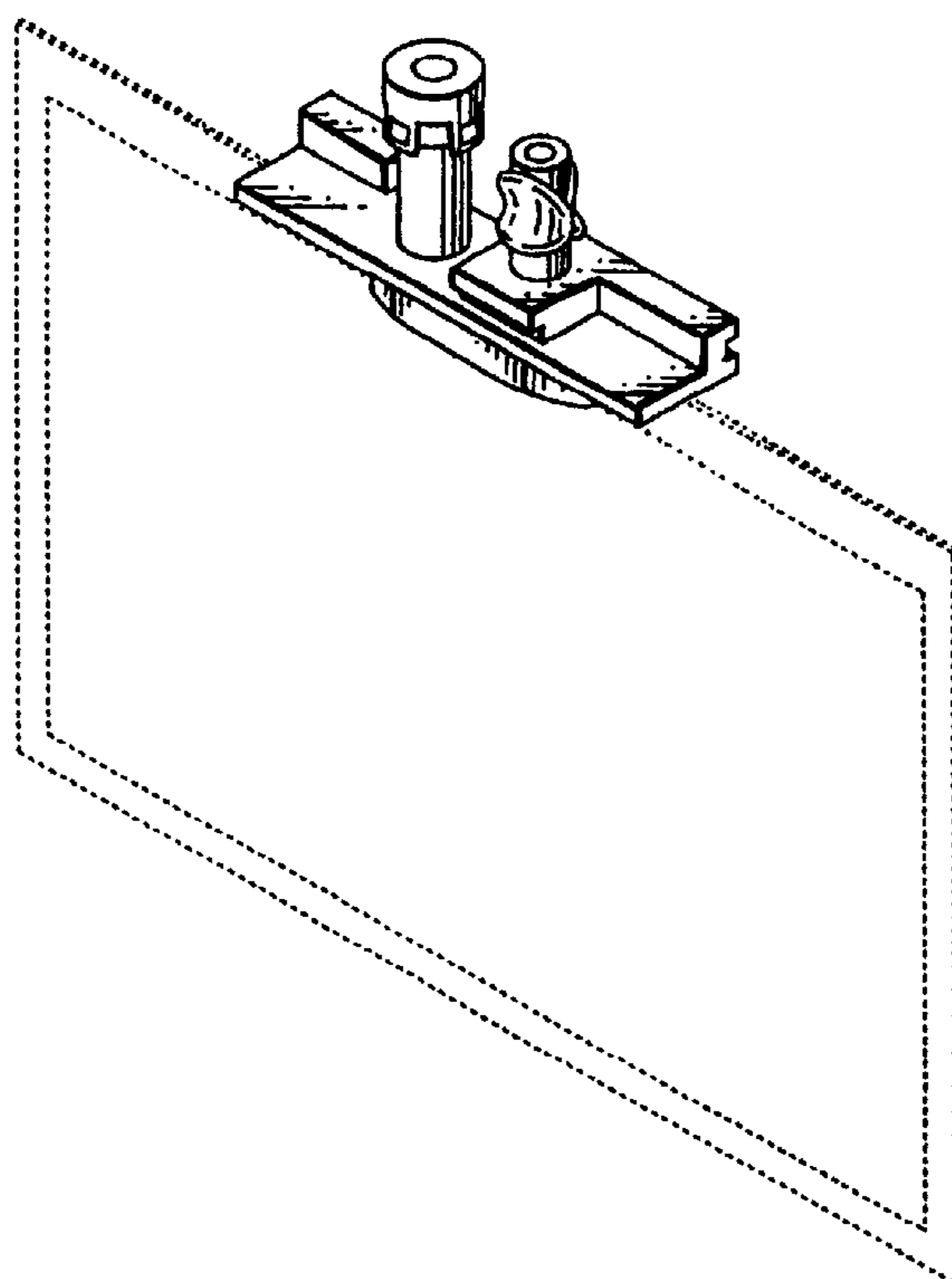


FIG. 1

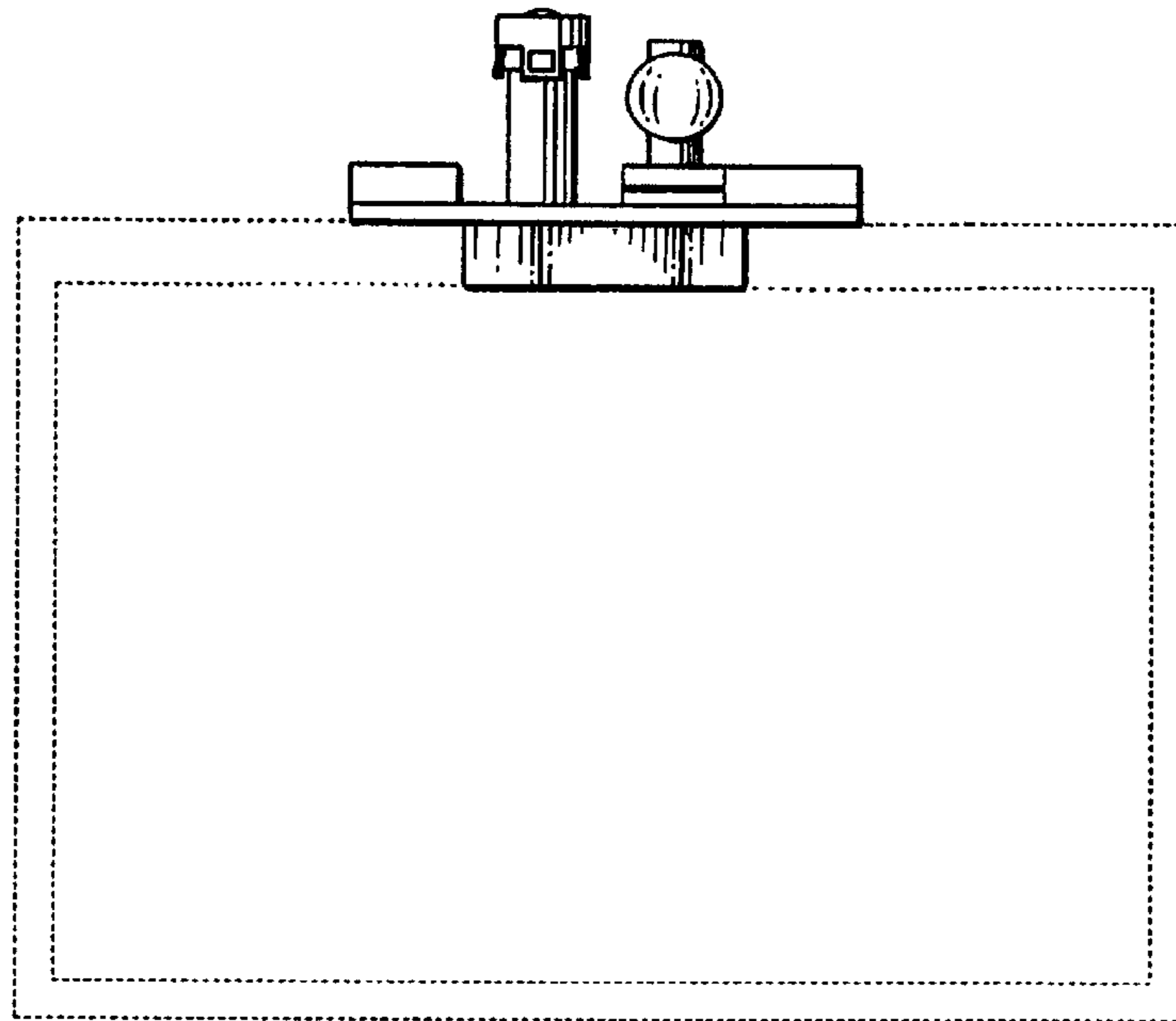


FIG. 2

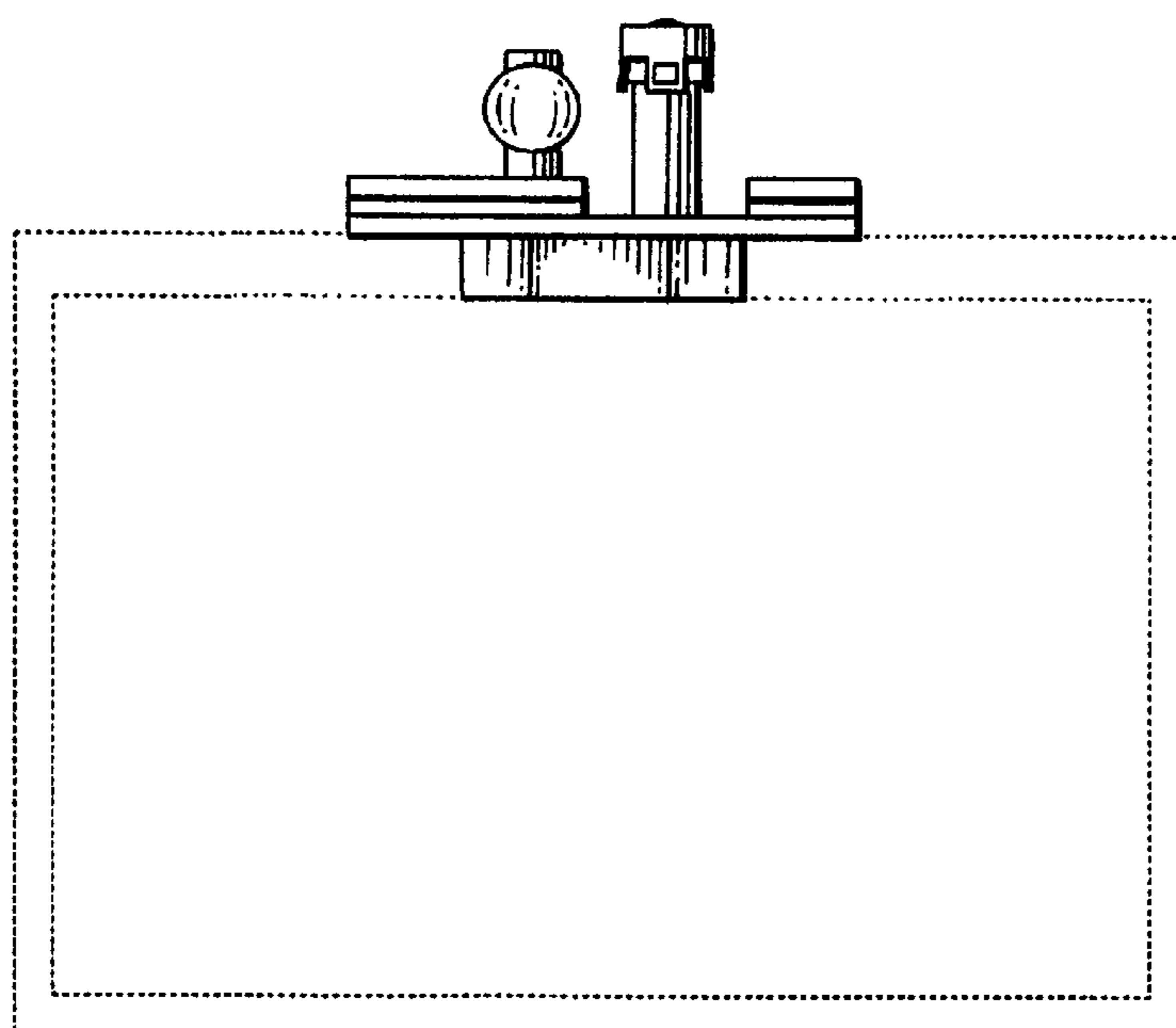


FIG. 3



FIG. 4

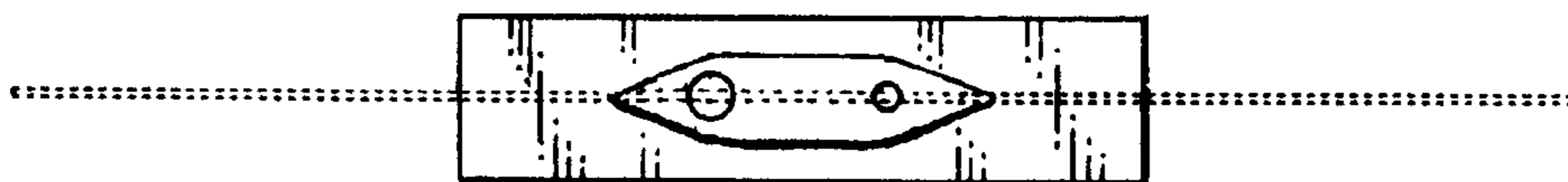


FIG. 5

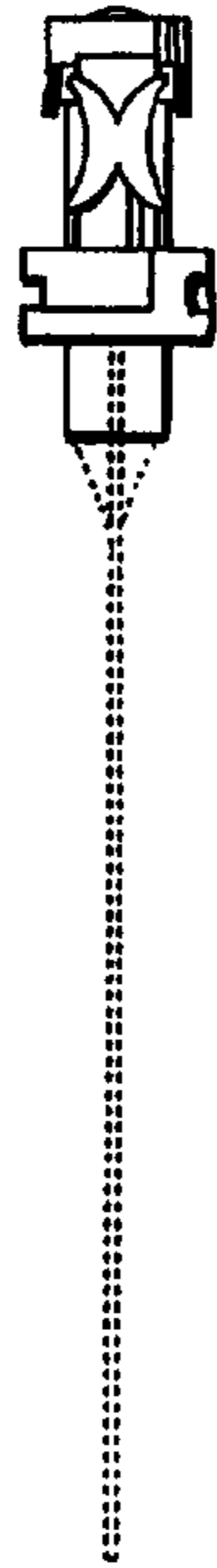


FIG. 6

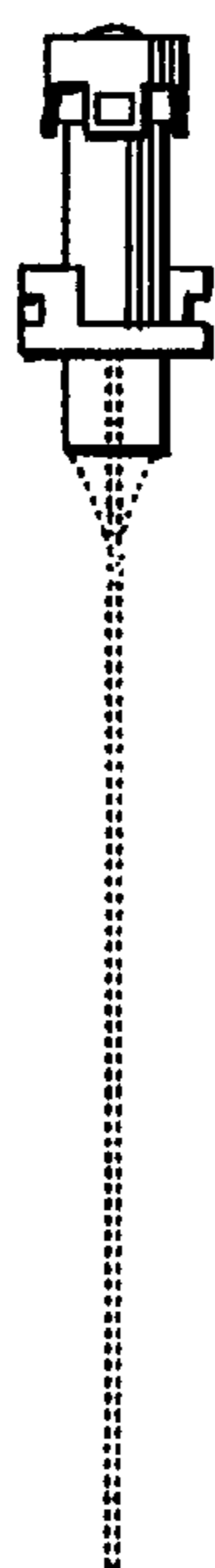


FIG. 7

