

US00D509241S

(12) **United States Design Patent**
Huebler

(10) **Patent No.: US D509,241 S**
(45) **Date of Patent: ** Sep. 6, 2005**

(54) **FRANKING MACHINE**

D463,486 S * 9/2002 Hetzer D18/51
D464,992 S * 10/2002 Sugrue et al. D18/51

(75) Inventor: **Uwe Huebler**, Neuenhagen (DE)

FOREIGN PATENT DOCUMENTS

(73) Assignee: **Francotyp-Postalia AG & Co. KG**,
Birkenwerder (DE)

GB 3010448 * 4/2003
WO DM/056475 * 2/2001

(**) Term: **14 Years**

* cited by examiner

(21) Appl. No.: **29/175,302**

Primary Examiner—Charles A. Rademaker
(74) *Attorney, Agent, or Firm*—Laurence A. Greenberg;
Werner H. Stemer; Ralph E. Locher

(22) Filed: **Feb. 3, 2003**

(30) **Foreign Application Priority Data**

(57) **CLAIM**

Aug. 2, 2002 (DE) 402 06 409

The ornamental design for a franking machine, as shown and described.

(51) **LOC (8) Cl.** **18-02**

DESCRIPTION

(52) **U.S. Cl.** **D18/51**

(58) **Field of Search** D18/50, 51, 99,
D18/54; D15/199; 101/5, 47, 53, 49; 235/375;
346/9–11, 76.1; 229/800; 705/407, 406

FIG. 1 is a perspective view of a franking machine showing my new design;

FIG. 2 is a top perspective view thereof;

FIG. 3 is a right side perspective view thereof;

FIG. 4 is a left side perspective view thereof;

FIG. 5 is a front perspective view thereof;

FIG. 6 is a bottom perspective view thereof; and,

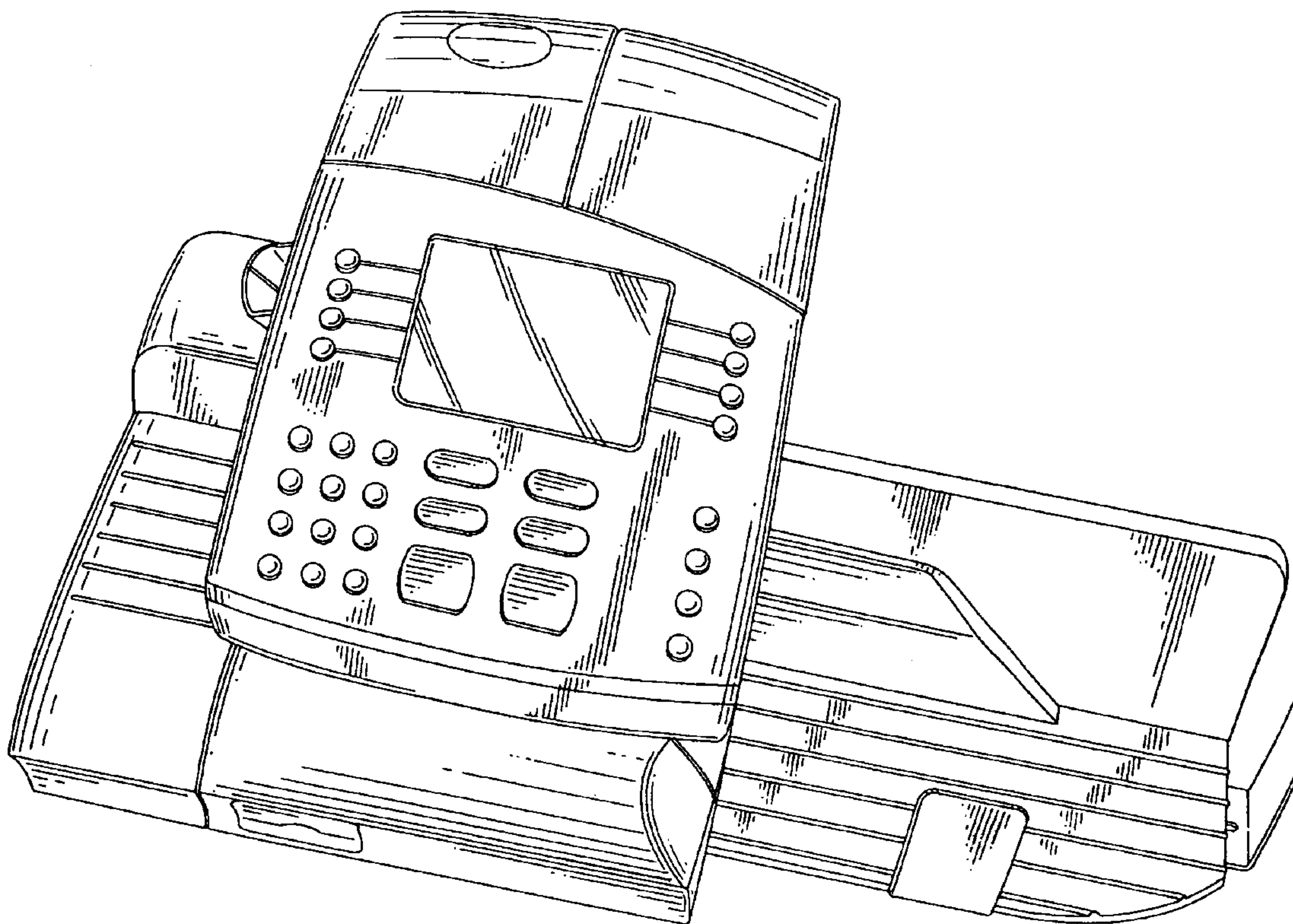
FIG. 7 is a rear perspective view thereof.

(56) **References Cited**

U.S. PATENT DOCUMENTS

3,133,700 A * 5/1964 Schaerer et al. 235/101
D414,798 S * 10/1999 Brooks et al. D18/51
D454,583 S * 3/2002 Whitby et al. D18/50

1 Claim, 7 Drawing Sheets



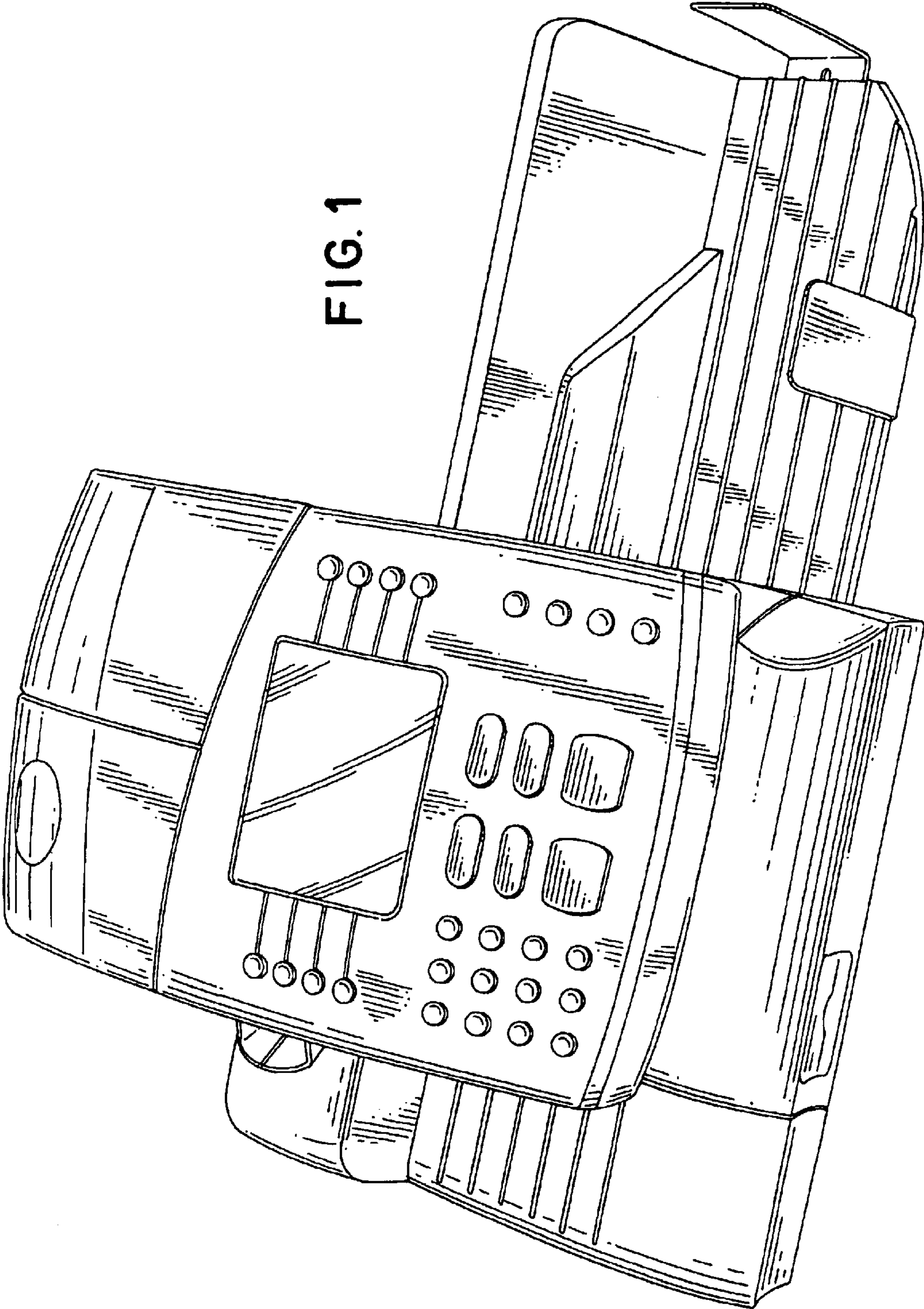
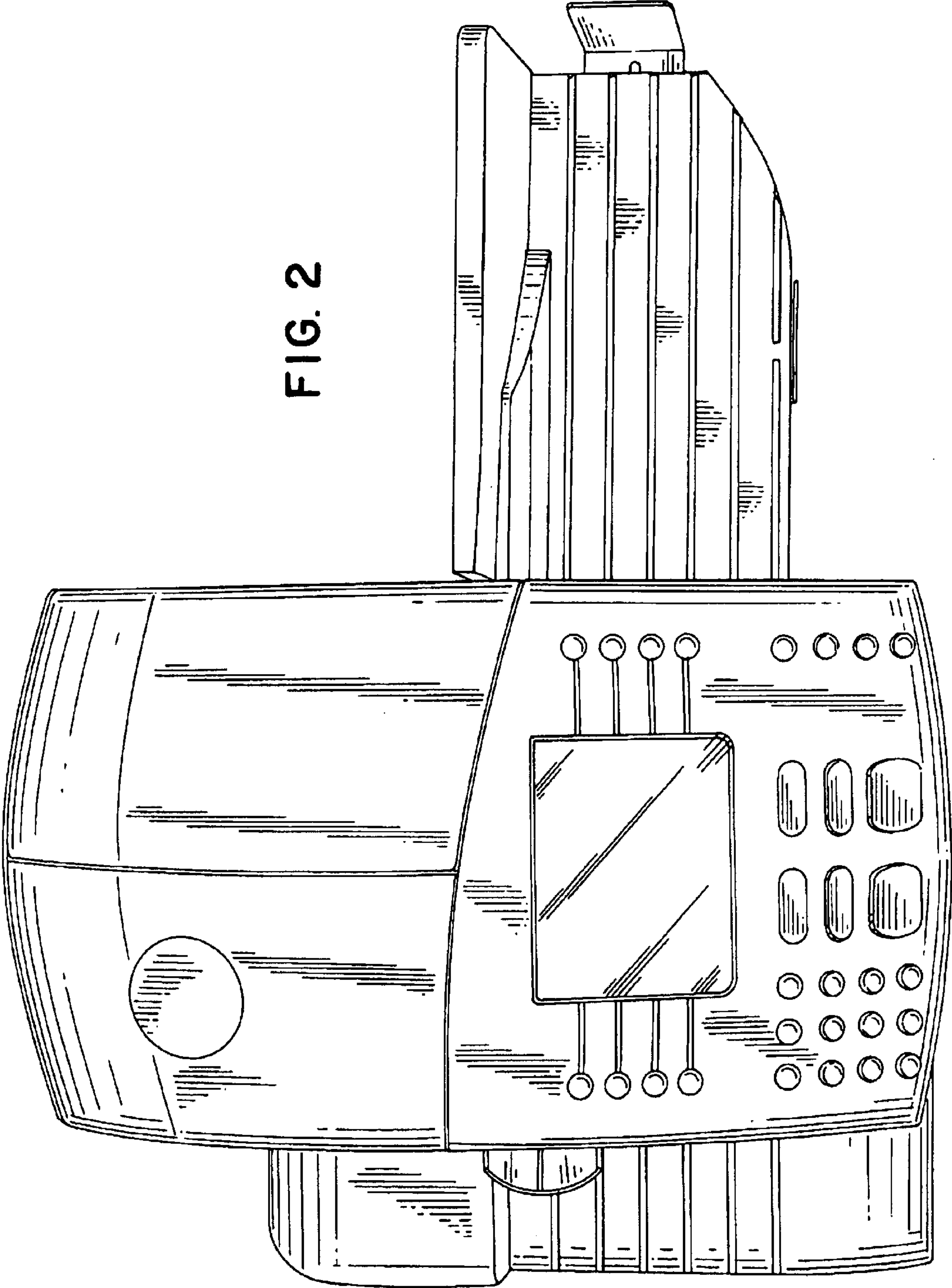


FIG. 1

FIG. 2



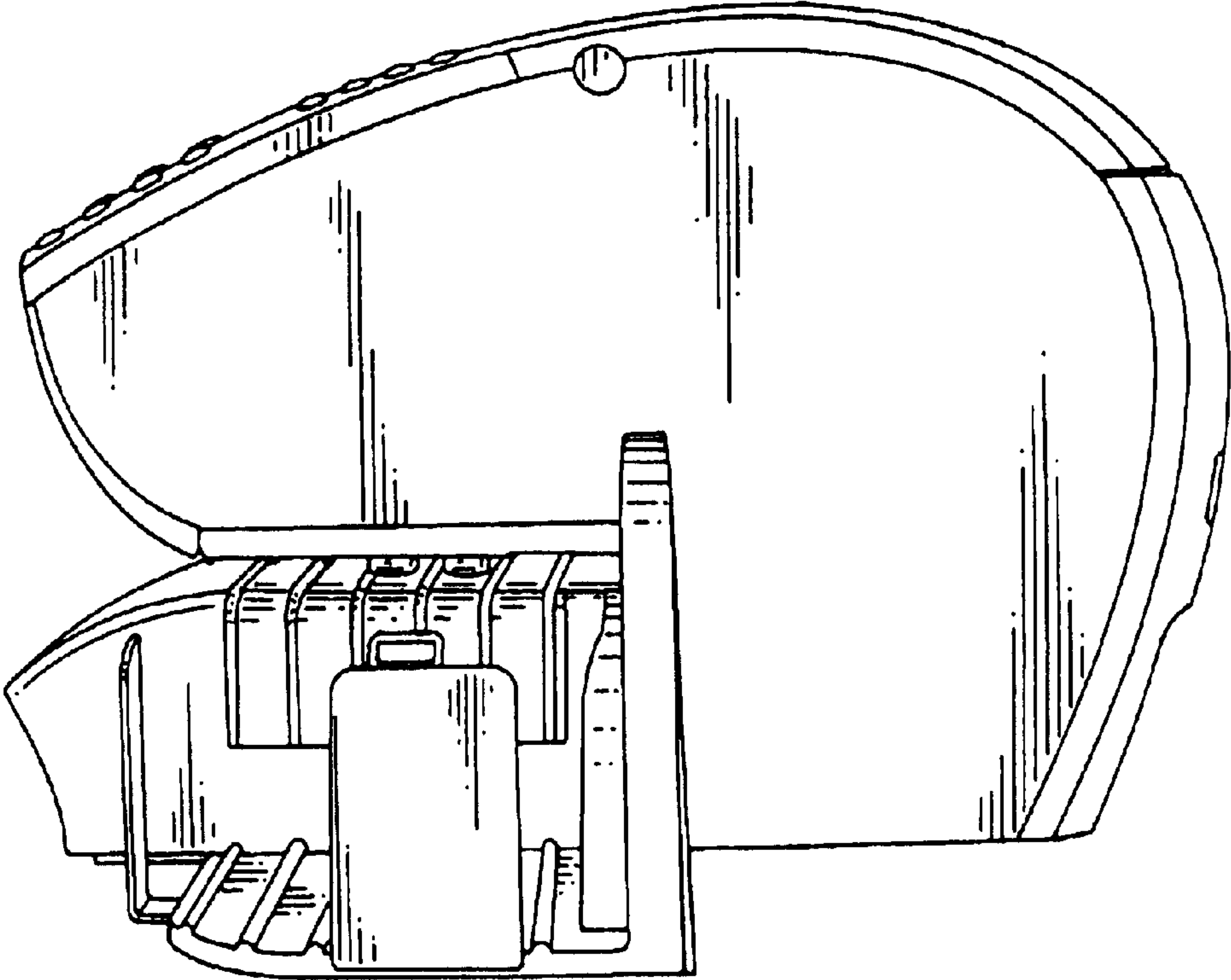


FIG. 3

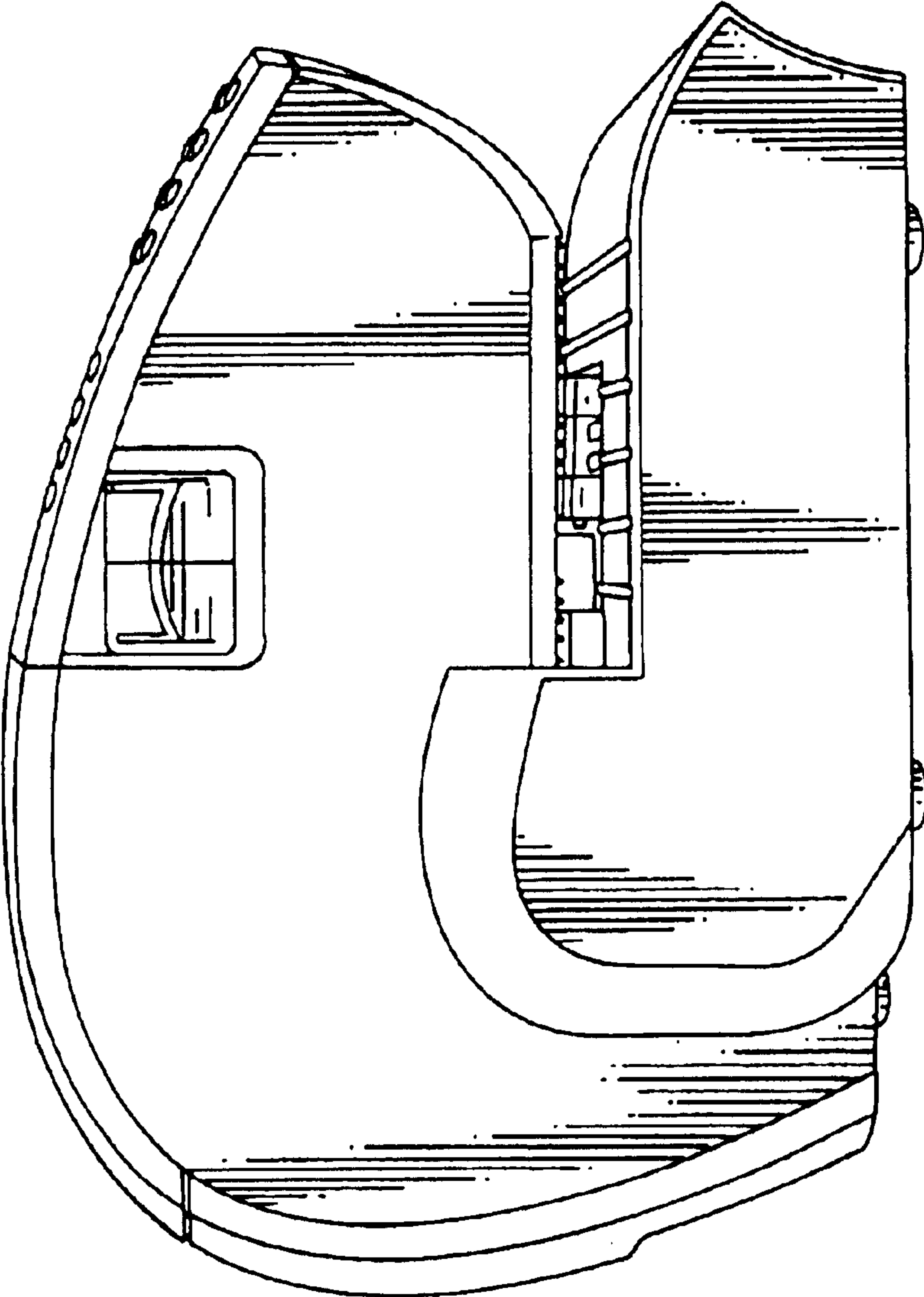


FIG. 4

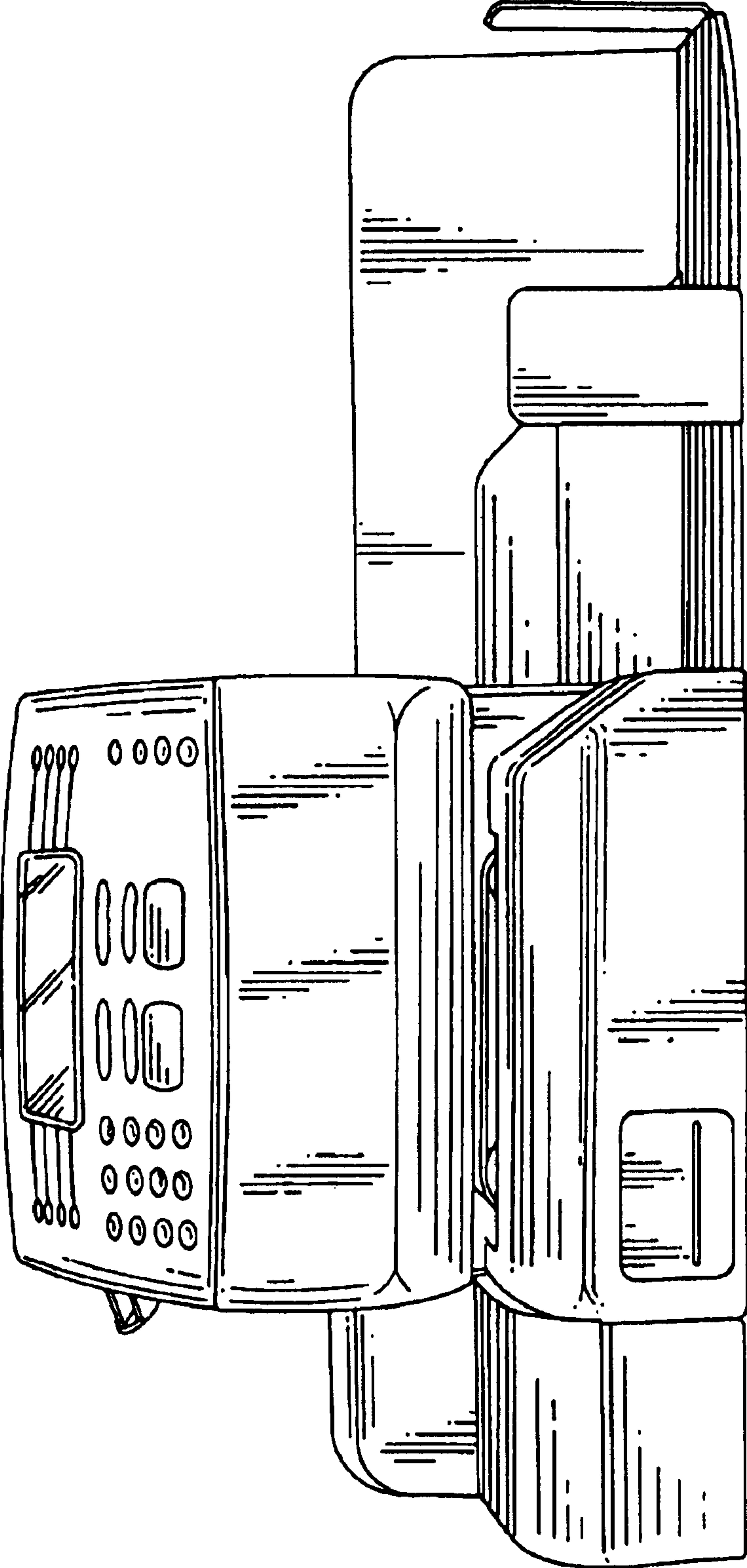


FIG. 5

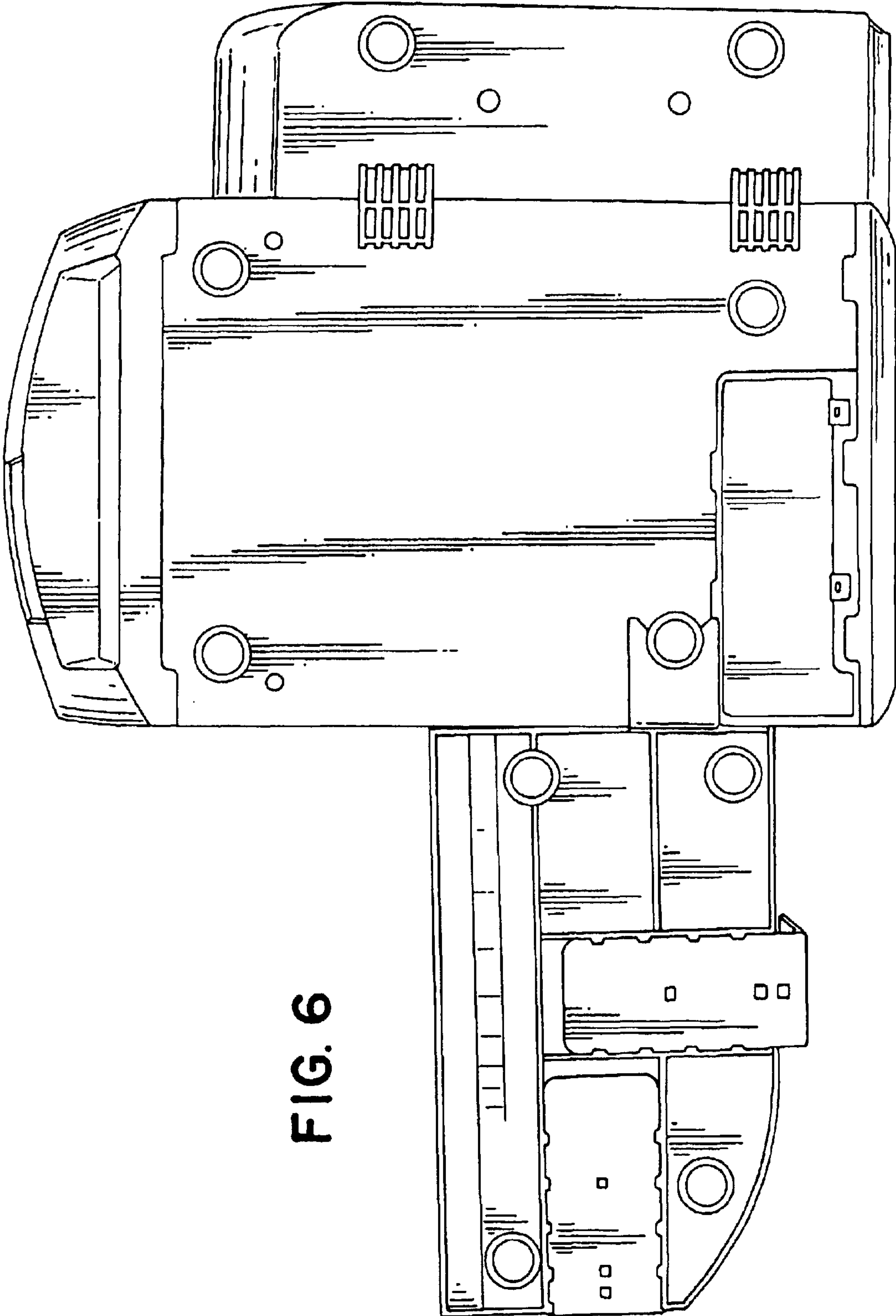


FIG. 6

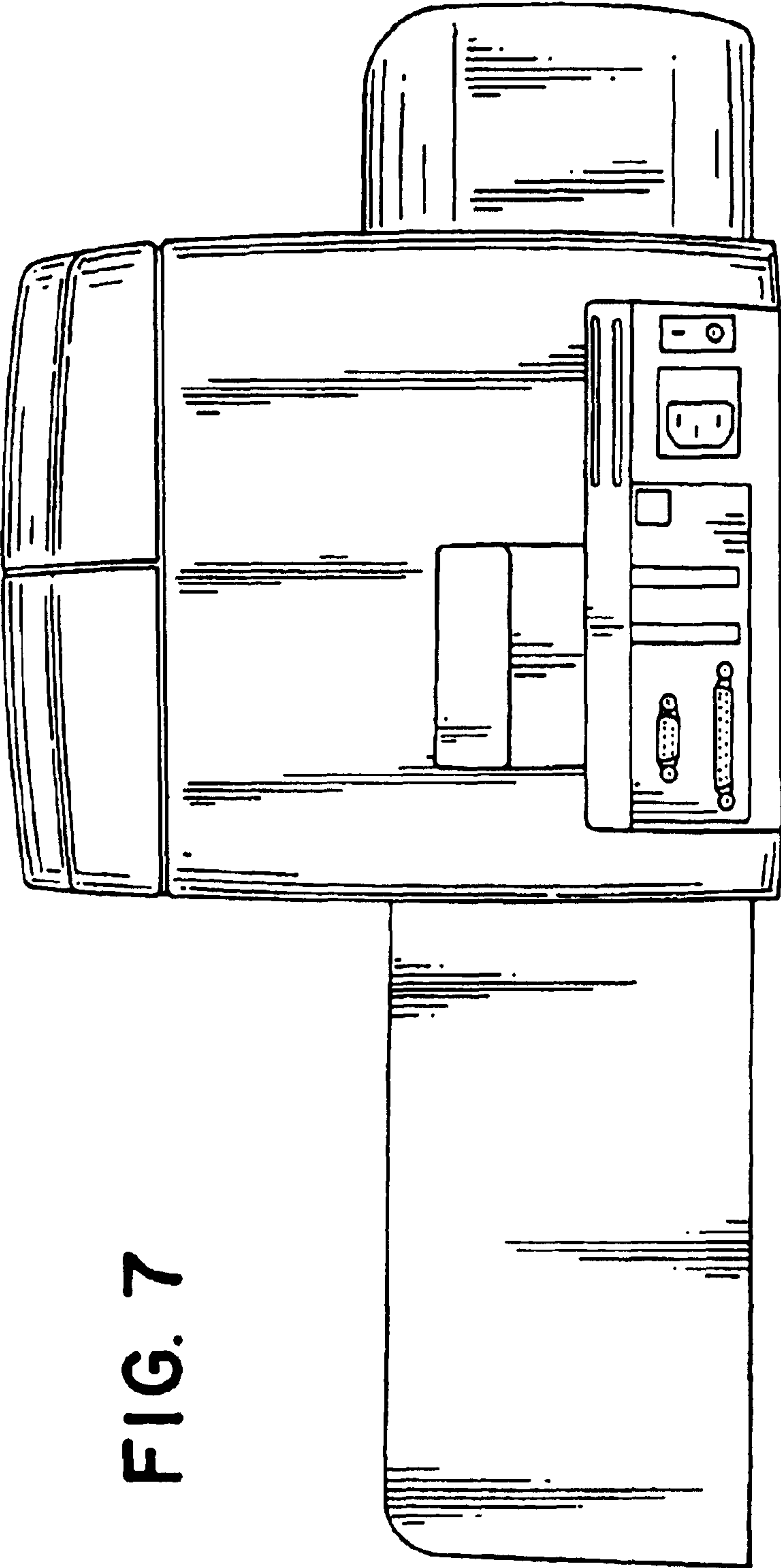


FIG. 7