

US00D509240S

(12) **United States Design Patent**
Kimura et al.

(10) **Patent No.:** **US D509,240 S**
(45) **Date of Patent:** **** Sep. 6, 2005**

(54) **PRINTER**

(75) Inventors: **Seiji Kimura, Suwa (JP); Yoshiki Kinoshita, Suwa (JP); Konichi Hrabayashi, Suwa (JP)**

(73) Assignee: **Seiko Epson Corporation (JP)**

(**) Term: **14 Years**

(21) Appl. No.: **29/187,350**

(22) Filed: **Jul. 31, 2003**

(30) **Foreign Application Priority Data**

Feb. 28, 2003 (JP) 2003-005205
Feb. 28, 2003 (JP) 2003-005206
Feb. 28, 2003 (JP) 2003-005207

(51) **LOC (8) Cl.** **14-02**

(52) **U.S. Cl.** **D18/50**

(58) **Field of Search** D18/19, 36-41,
D18/50, 53, 54, 54.1, 55; D14/420-425,
462-470; 400/613, 613.1-613.4, 690.1-690.4,
691-694

(56) **References Cited**

U.S. PATENT DOCUMENTS

4,884,904 A * 12/1989 Berquist D18/50
D343,408 S * 1/1994 Hermann D18/50
D353,134 S * 12/1994 Etoh D14/426

D361,780 S * 8/1995 Jenkins D18/50
D409,232 S * 5/1999 Kim D18/50
D430,199 S * 8/2000 Petteruti et al. D18/50
D439,273 S * 3/2001 Sato et al. D18/54.1
D443,889 S * 6/2001 Yamano et al. D18/50
D446,544 S * 8/2001 Platner et al. D18/50
6,788,324 B2 * 9/2004 Fisher et al. D18/50

OTHER PUBLICATIONS

Seikosha TP—IO Time/Date Printer brochure.*

* cited by examiner

Primary Examiner—Cathy Anne MacCormac

(74) *Attorney, Agent, or Firm*—Harness, Dickey & Pierce, P.L.C.

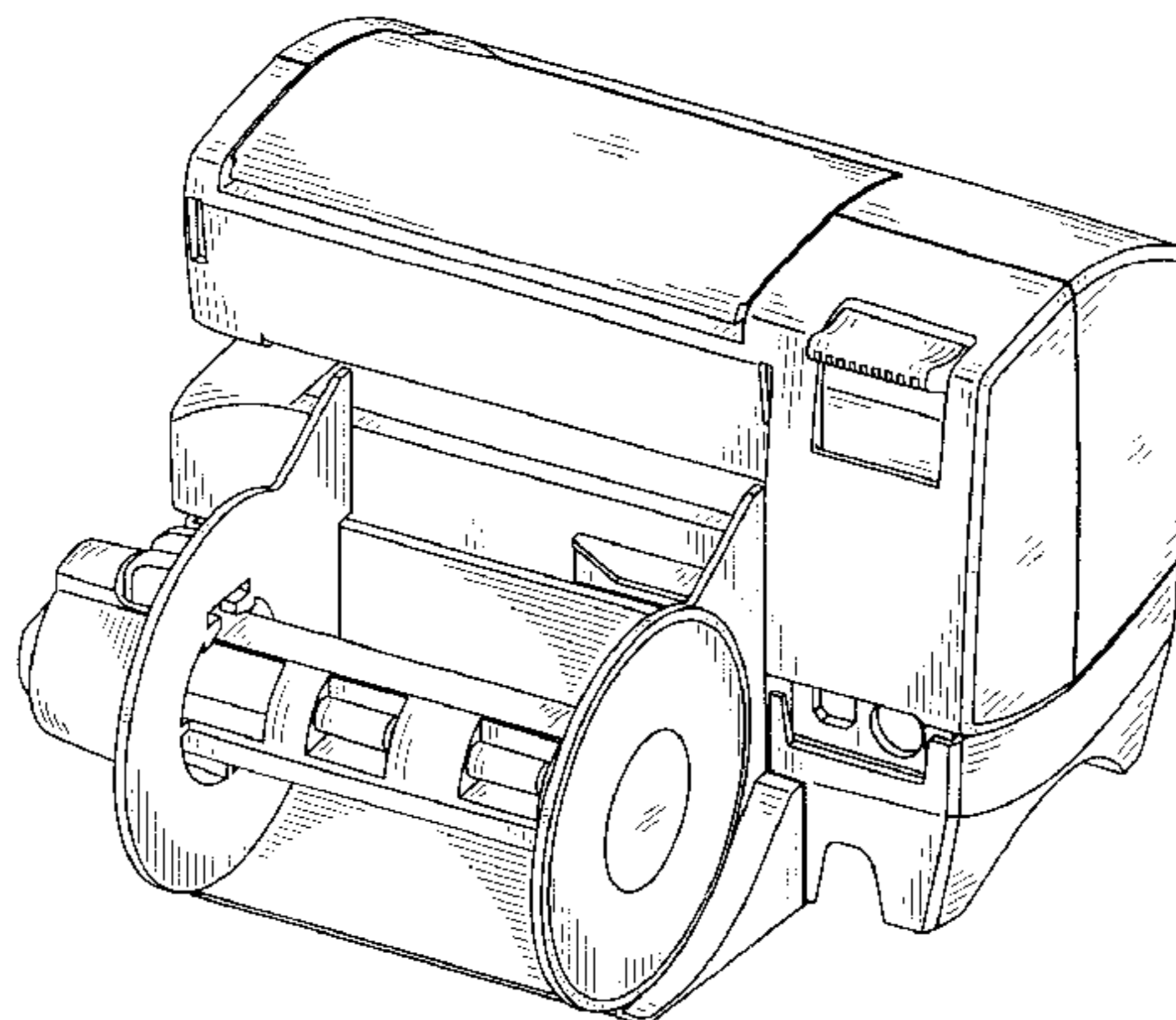
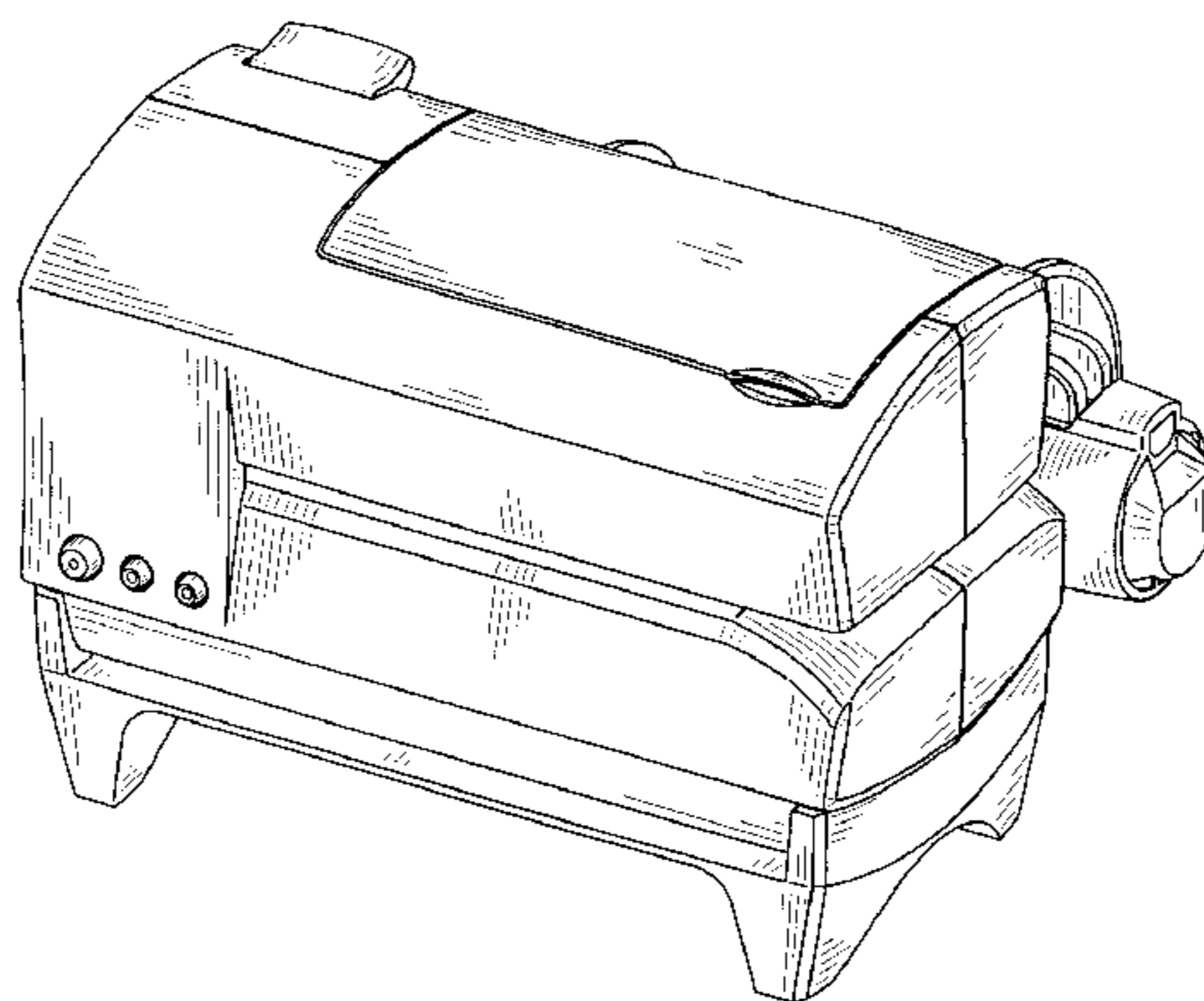
(57) **CLAIM**

The ornamental design for a printer, as shown and described.

DESCRIPTION

FIG. 1 is a front perspective view of a second embodiment of the printer embodying our new design; FIG. 2 is a rear perspective view thereof; FIG. 3 is a front view thereof; FIG. 4 is a rear view thereof; FIG. 5 is a right side view thereof; FIG. 6 is a left side view thereof; FIG. 7 is a top plan view thereof; and, FIG. 8 is a bottom plan view thereof.

1 Claim, 4 Drawing Sheets



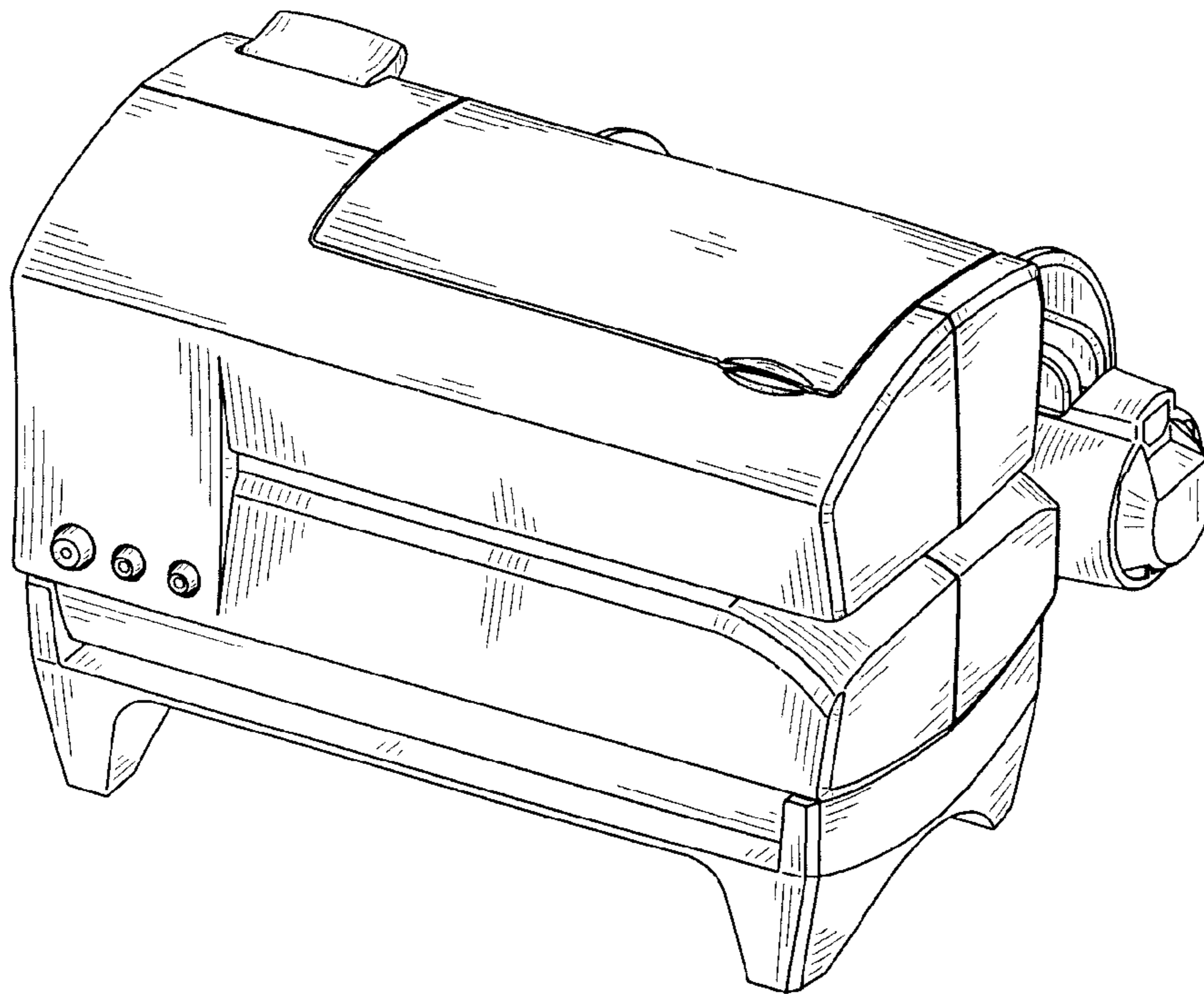


FIG. 1

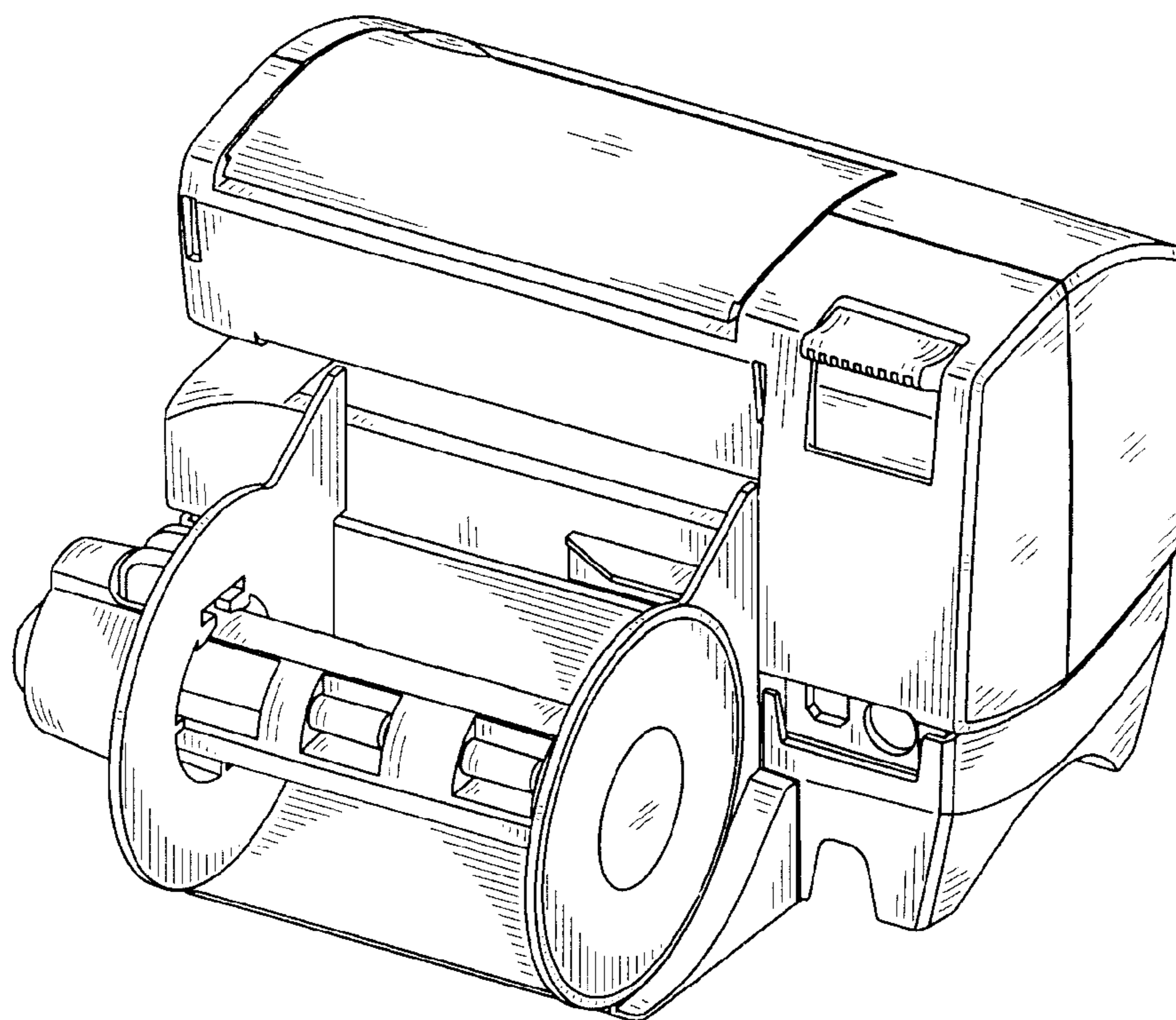


FIG. 2

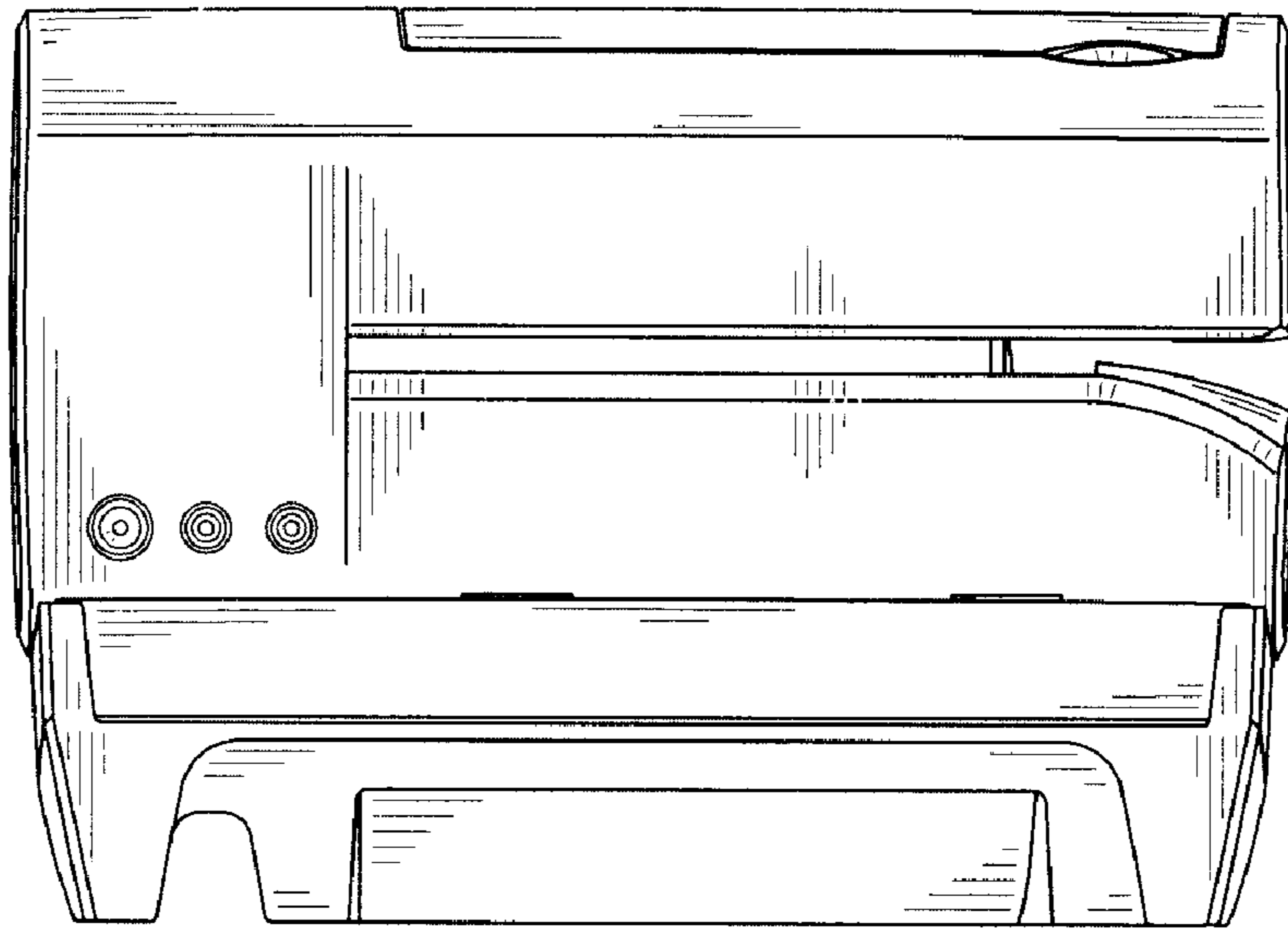


FIG. 3

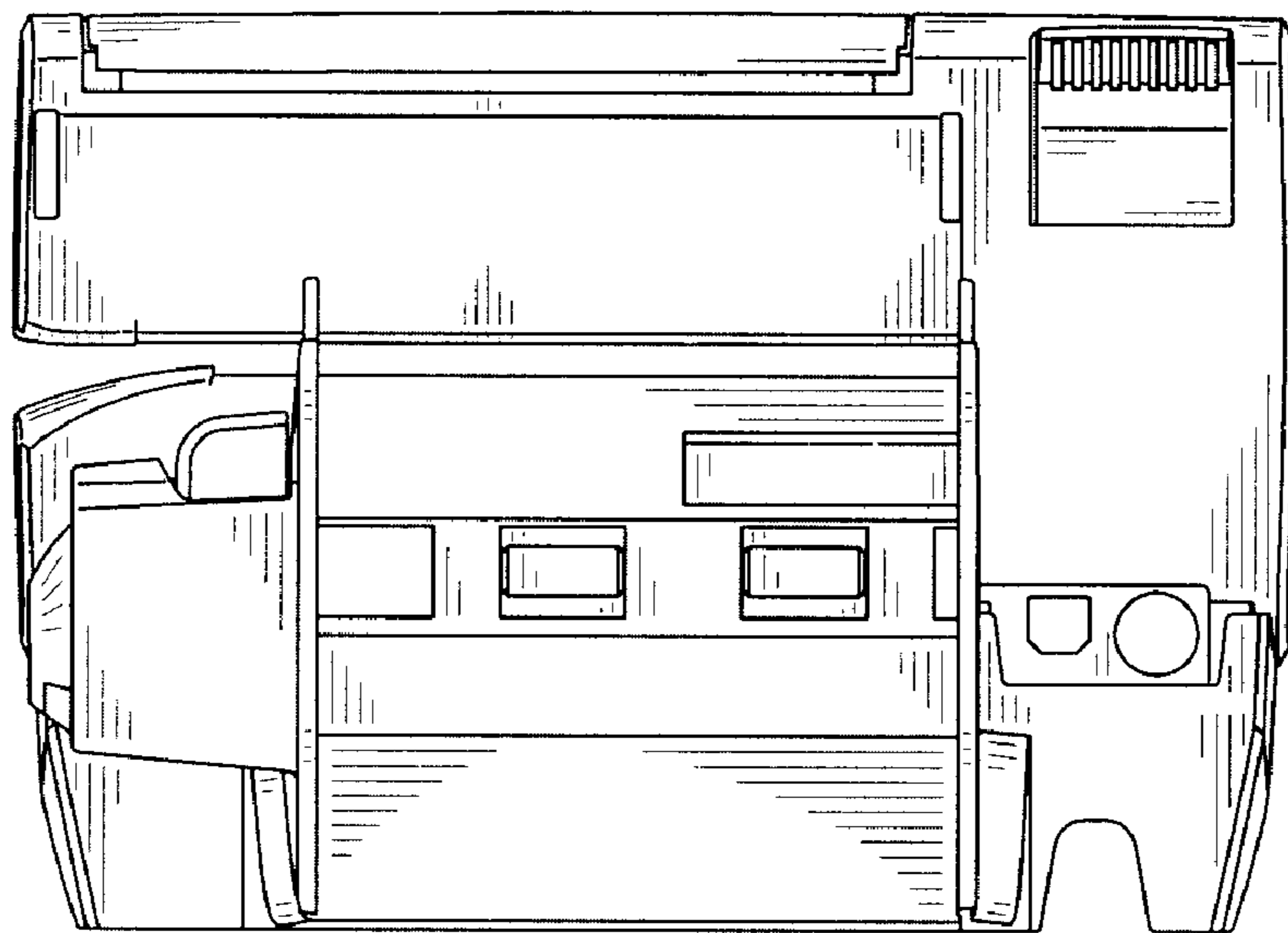


FIG. 4

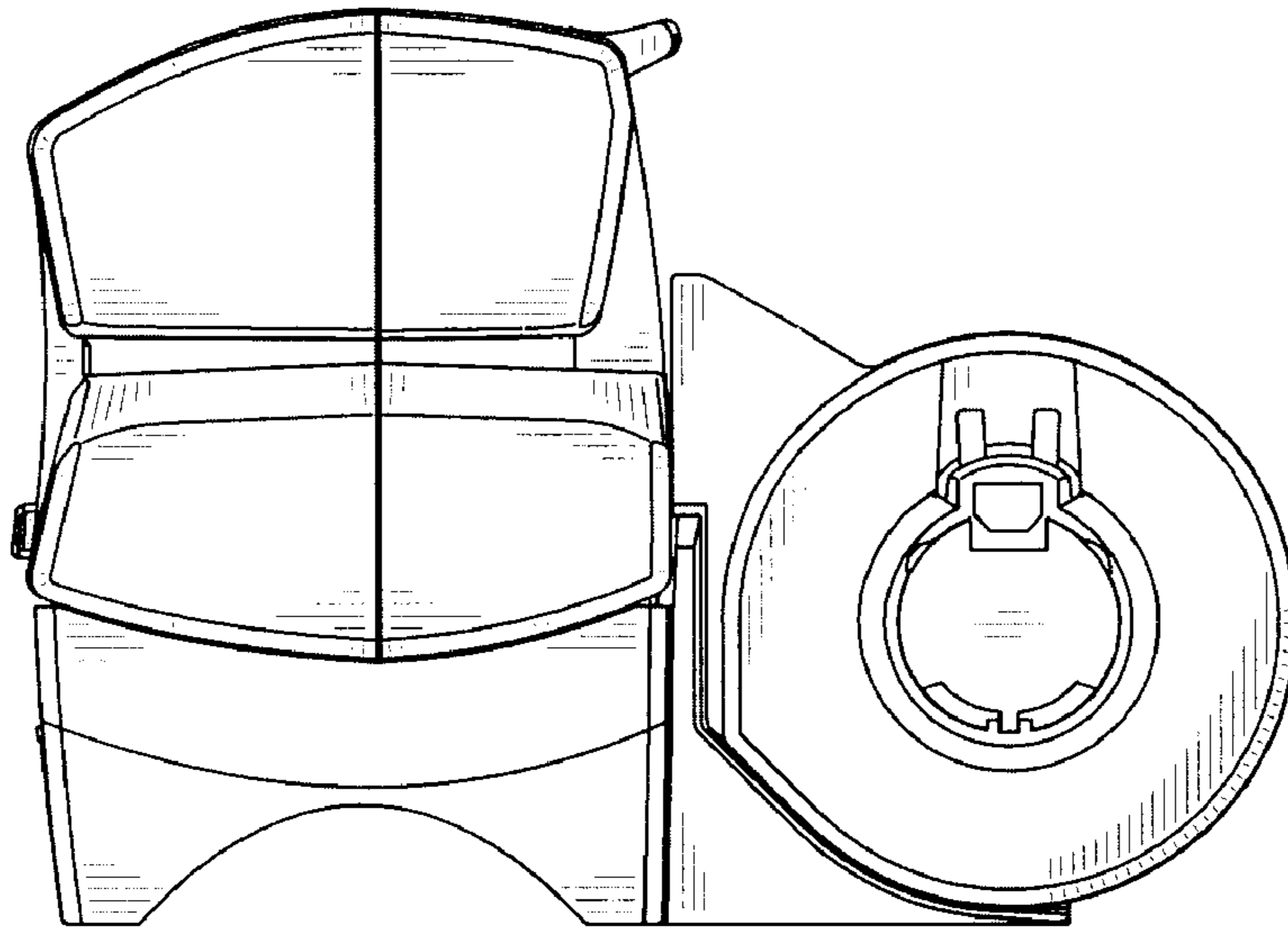


FIG. 5

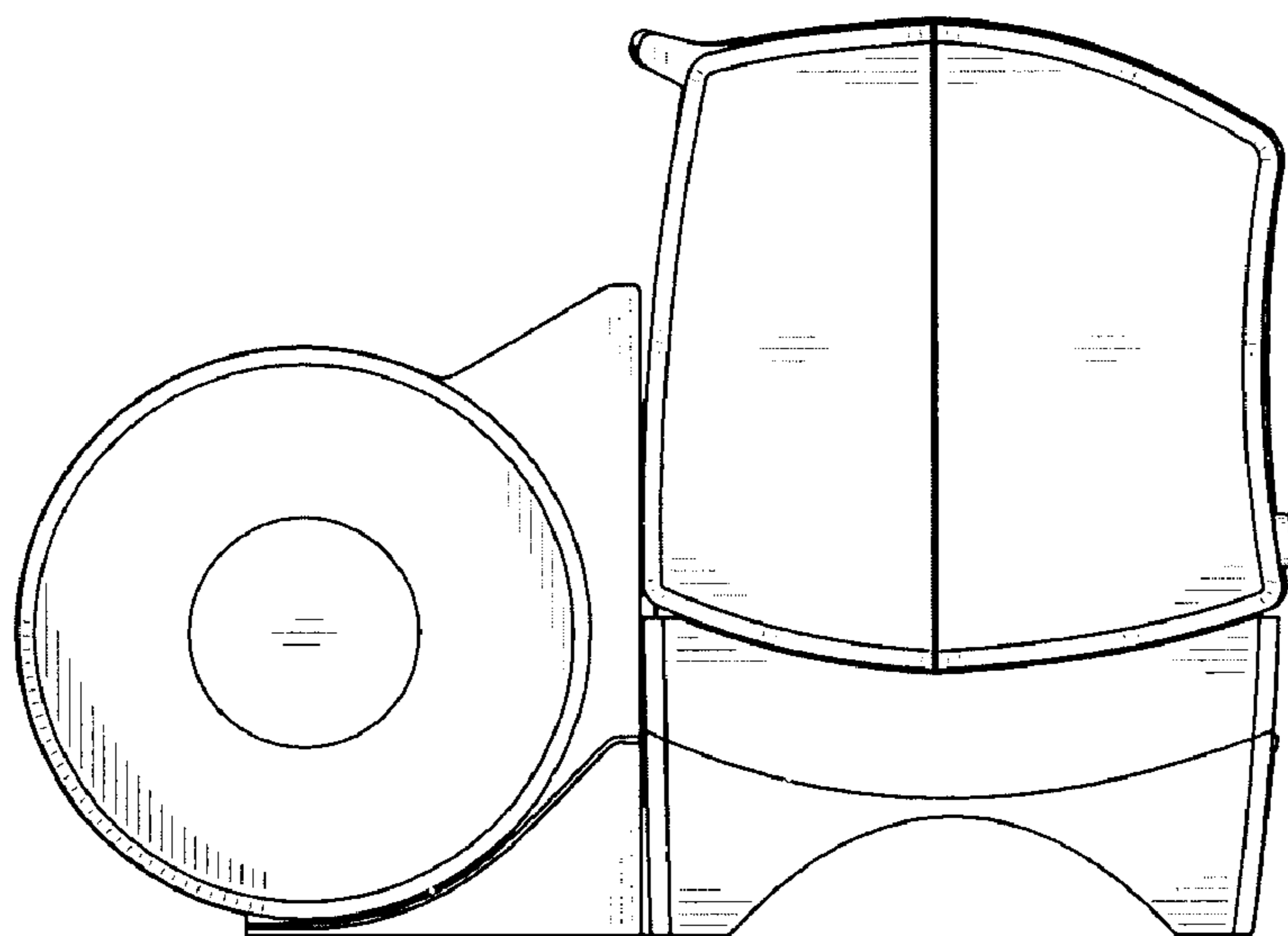


FIG. 6

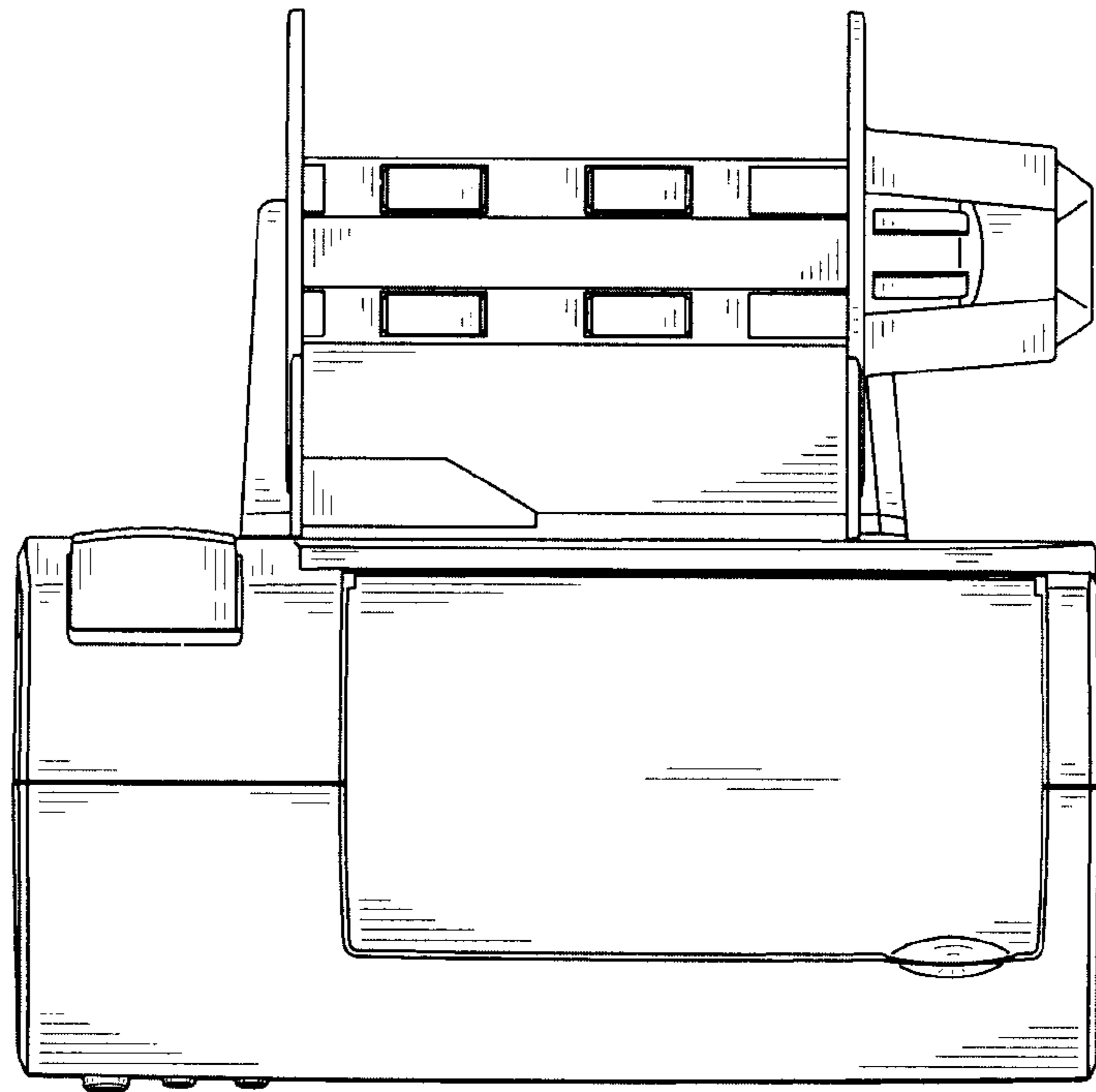


FIG. 7

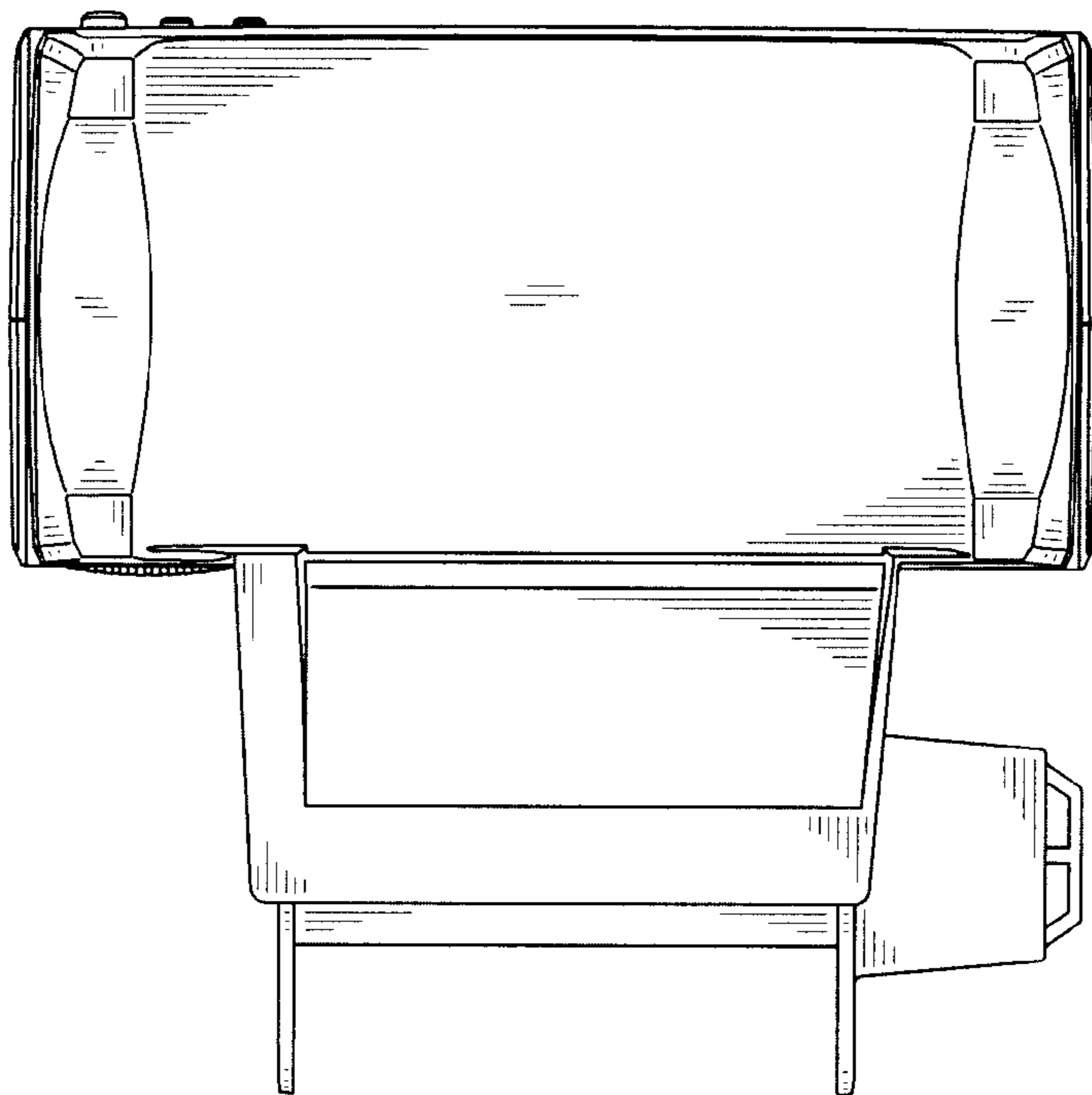


FIG. 8