

US00D509239S

(12) **United States Design Patent** (10) **Patent No.:** **US D509,239 S**
Ishii et al. (45) **Date of Patent:** **** Sep. 6, 2005**

(54) **PHOTOSENSITIVE DRUM UNIT**

(75) Inventors: **Makoto Ishii**, Nagoya (JP); **Hiroshi Tokuda**, Nagoya (JP); **Hiroki Mori**, Nagoya (JP)

(73) Assignee: **Brother Industries, Ltd.**, Nagoya (JP)

(**) Term: **14 Years**

(21) Appl. No.: **29/199,334**

(22) Filed: **Feb. 12, 2004**

(30) **Foreign Application Priority Data**

Aug. 12, 2003 (JP) 2003-023531

(51) **LOC (8) Cl.** **16-03**

(52) **U.S. Cl.** **D18/40**

(58) **Field of Search** D18/40, 43, 56;
222/DIG. 1; 399/16, 23-31, 75, 81, 109-125,
151, 222, 252-262, 310, 361, 377, 378,
392, 393

(56) **References Cited**

U.S. PATENT DOCUMENTS

- D354,980 S * 1/1995 Nakajima et al. D18/43
- D374,250 S * 10/1996 Yabuki et al. D18/43
- D377,662 S * 1/1997 Ootani et al. D18/43
- D410,676 S * 6/1999 Kurabayashi et al. D18/40
- D422,304 S 4/2000 Suzuki et al.
- D423,559 S 4/2000 Suzuki et al.
- D442,216 S 5/2001 Kimura et al.

- D447,511 S 9/2001 Kimura et al.
- D471,228 S 3/2003 Okabe et al.
- D471,583 S 3/2003 Okabe et al.
- D496,395 S * 9/2004 Miyagawa D18/40
- 2005/0002684 A1 * 1/2005 Suzuki 399/109
- 2005/0031373 A1 * 2/2005 Ishii 399/111

* cited by examiner

Primary Examiner—Caron D. Veynar
(74) *Attorney, Agent, or Firm*—Oliff & Berridge, PLC

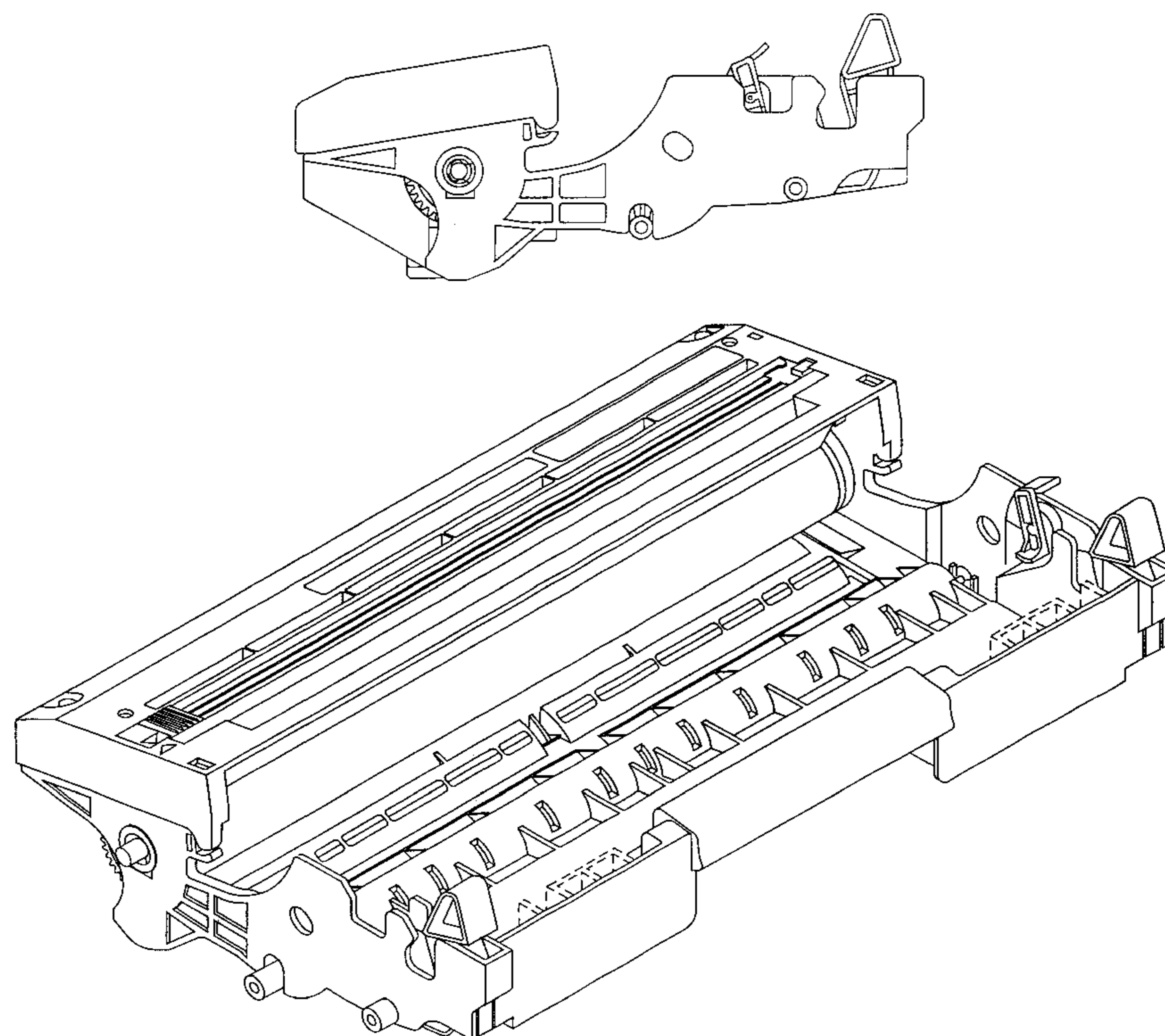
(57) **CLAIM**

The ornamental design for a photosensitive drum unit, as shown and described.

DESCRIPTION

FIG. 1 is a Front Elevation View of a photosensitive drum unit of the present invention;
 FIG. 2 is a Top Plan View thereof;
 FIG. 3 is a Right Side View thereof;
 FIG. 4 is a Left Side View thereof;
 FIG. 5 is a Rear Elevation View thereof;
 FIG. 6 is a Bottom Plan View thereof;
 FIG. 7 is a top perspective view thereof;
 FIG. 8 is a bottom perspective view thereof;
 FIG. 9 is a cross section view taken along line 9—9 in FIG. 2; and,
 FIG. 10 is an enlarged view of FIG. 9.
 The broken lines are for purposes of illustration only and form no part of the claimed design.

1 Claim, 6 Drawing Sheets



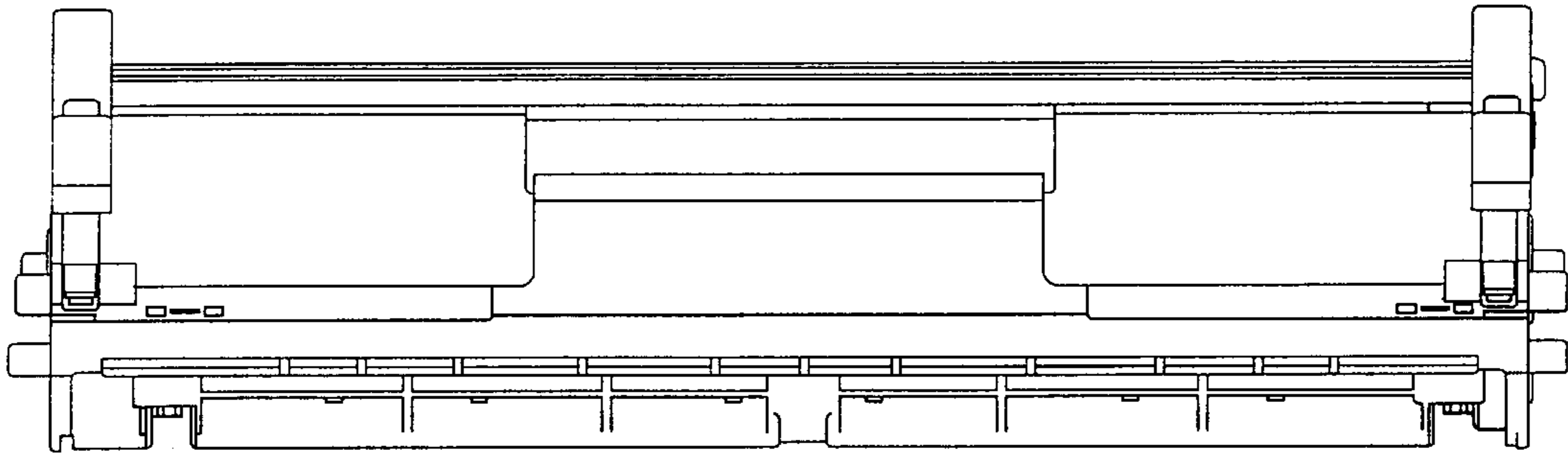


FIG. 1

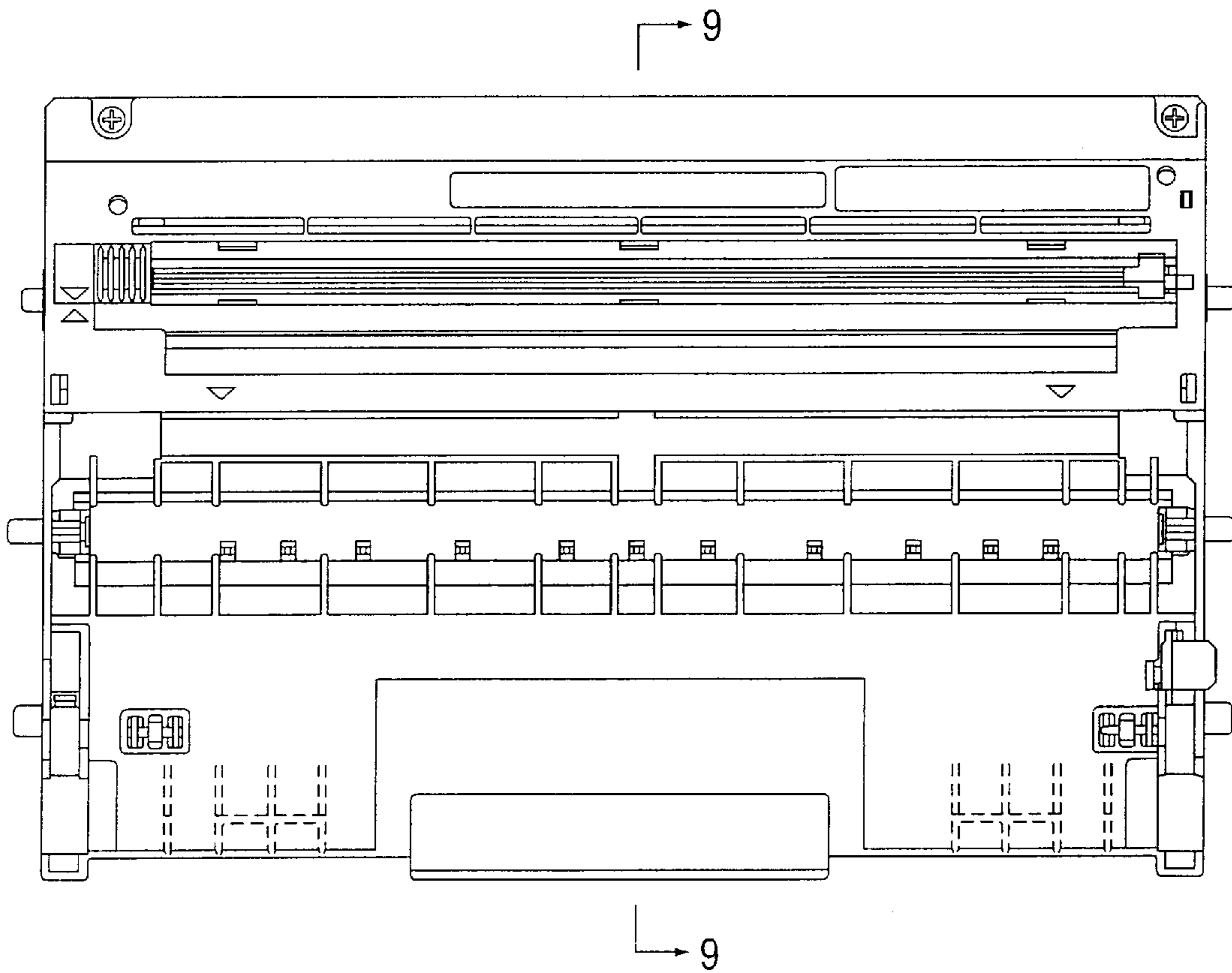


FIG. 2

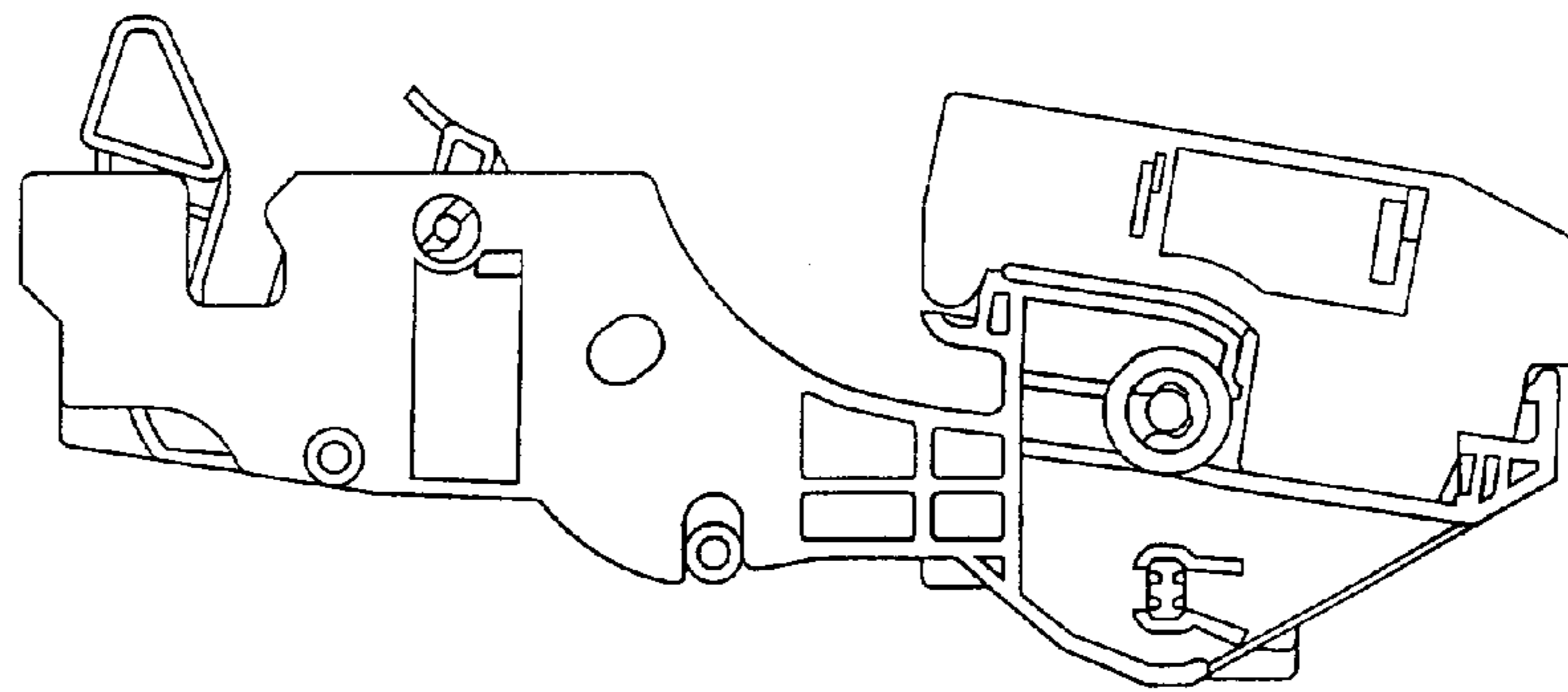


FIG. 3

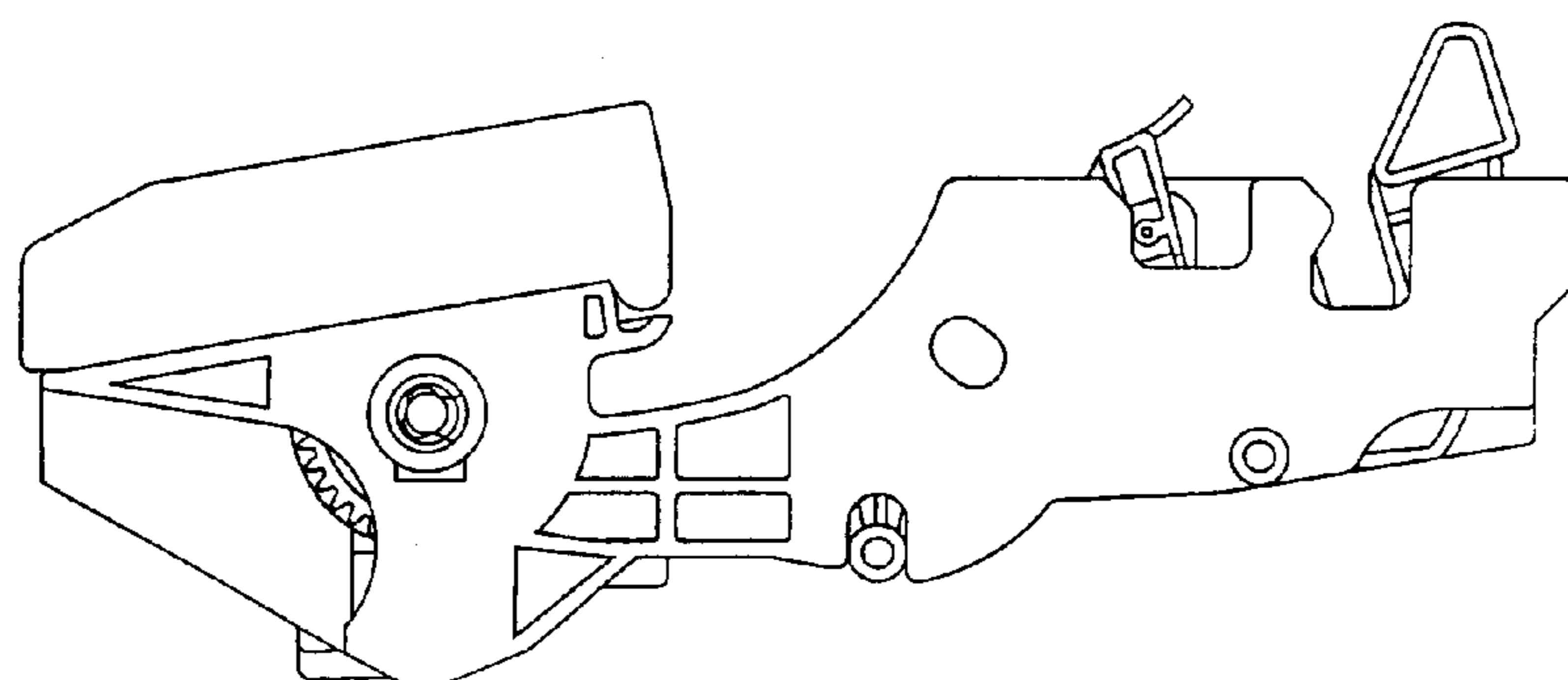


FIG. 4

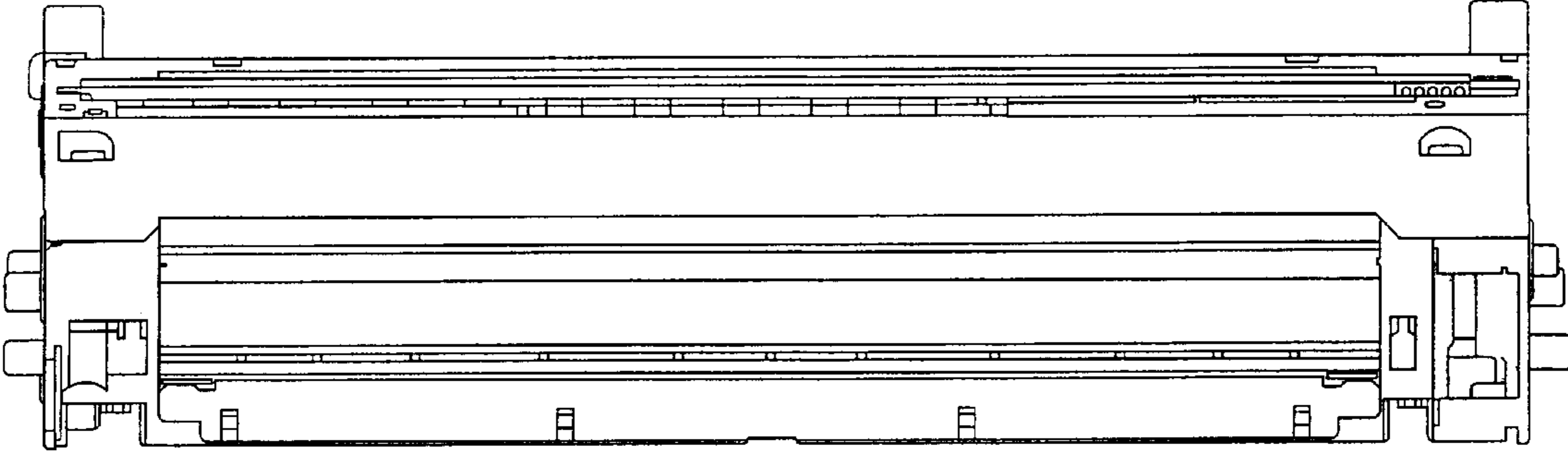


FIG. 5

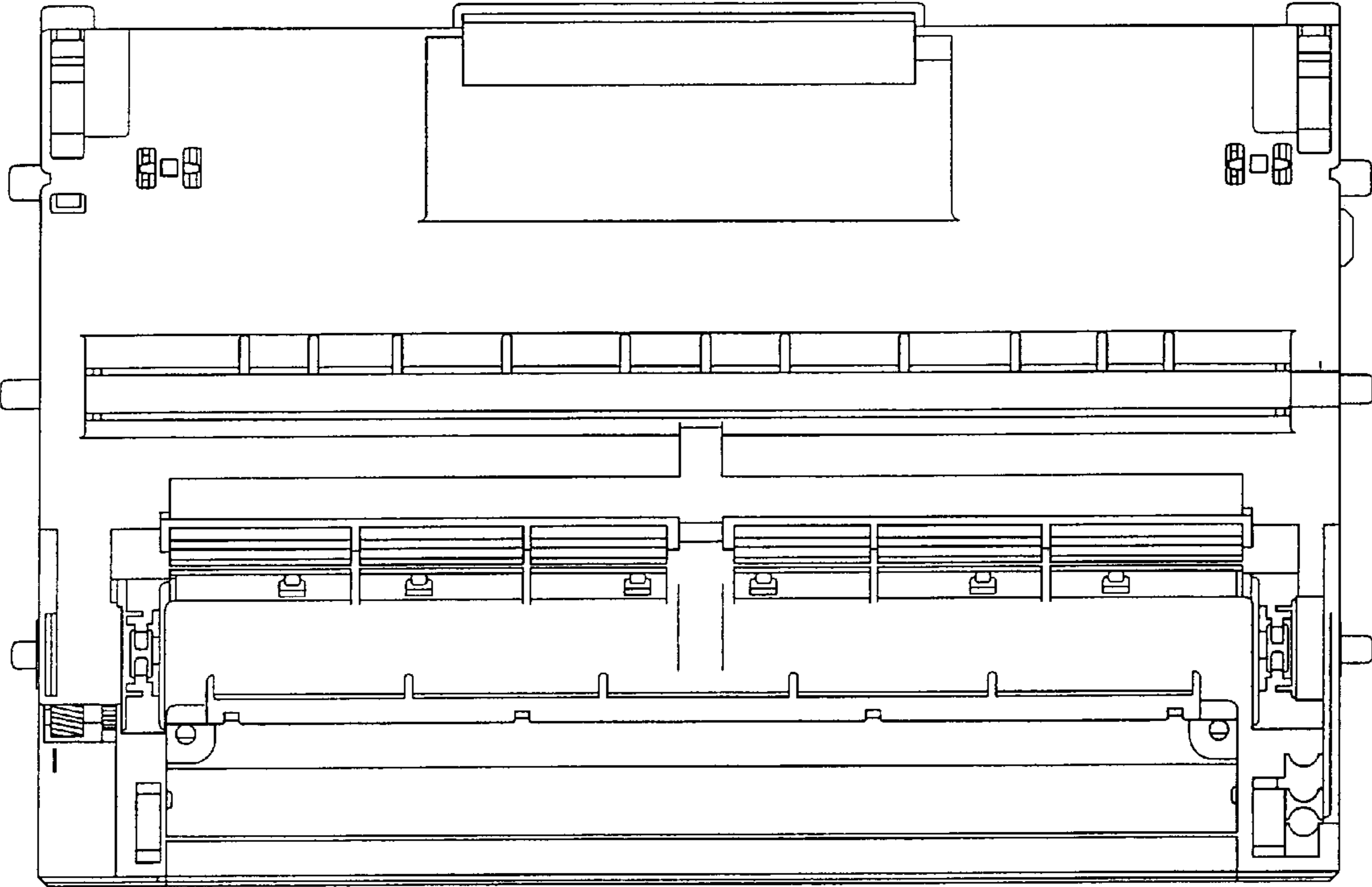
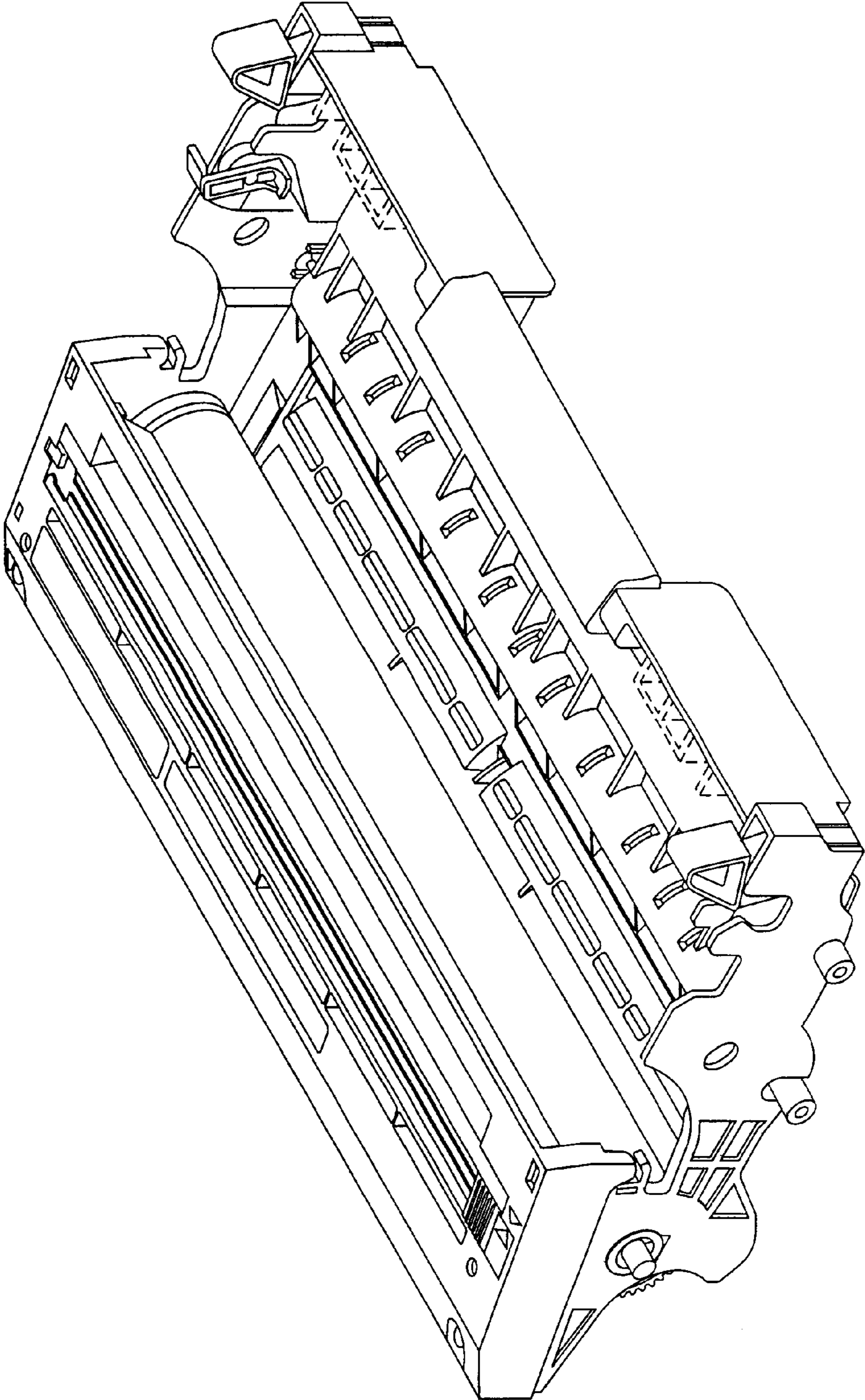


FIG. 6

FIG. 7



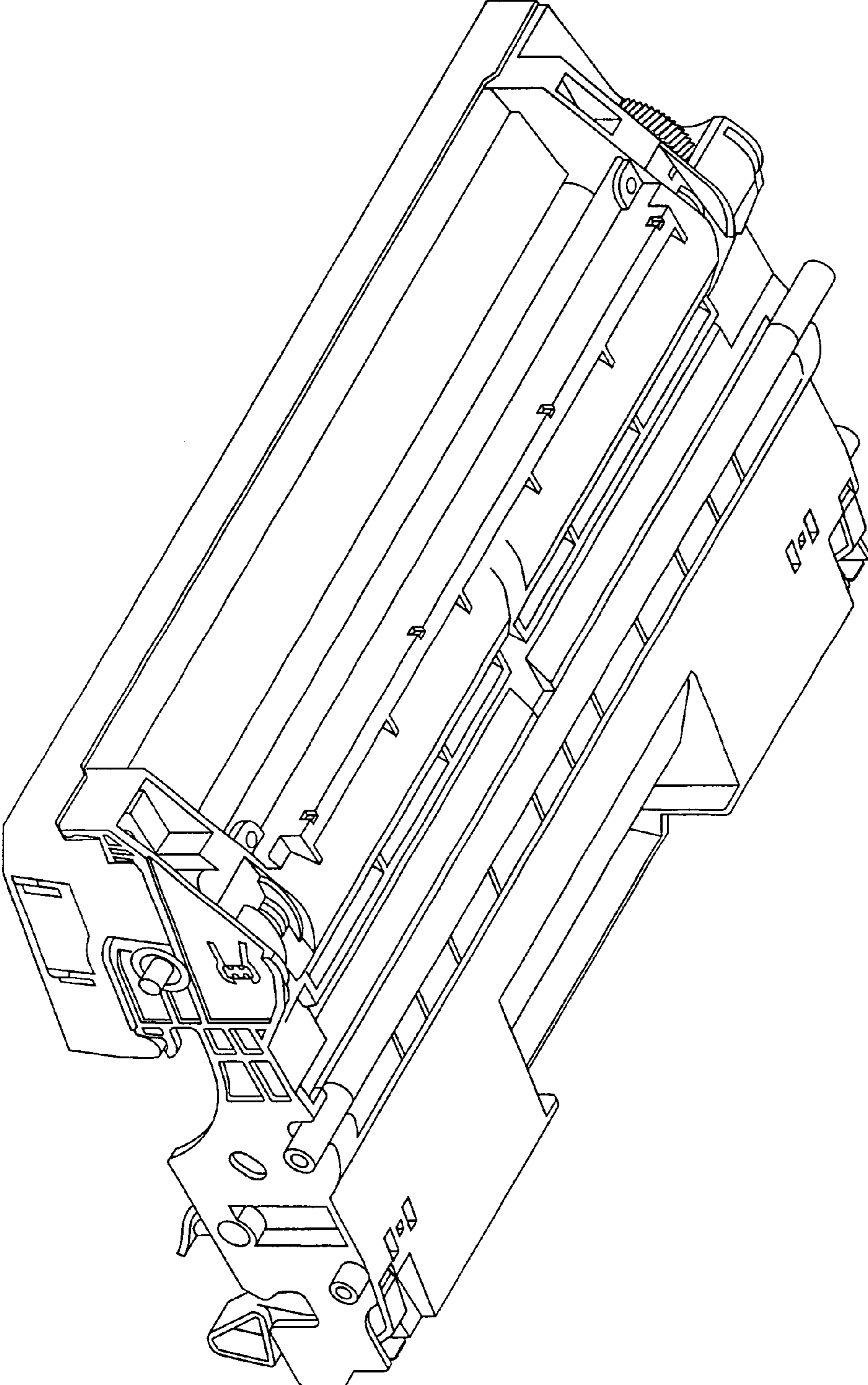


FIG. 8

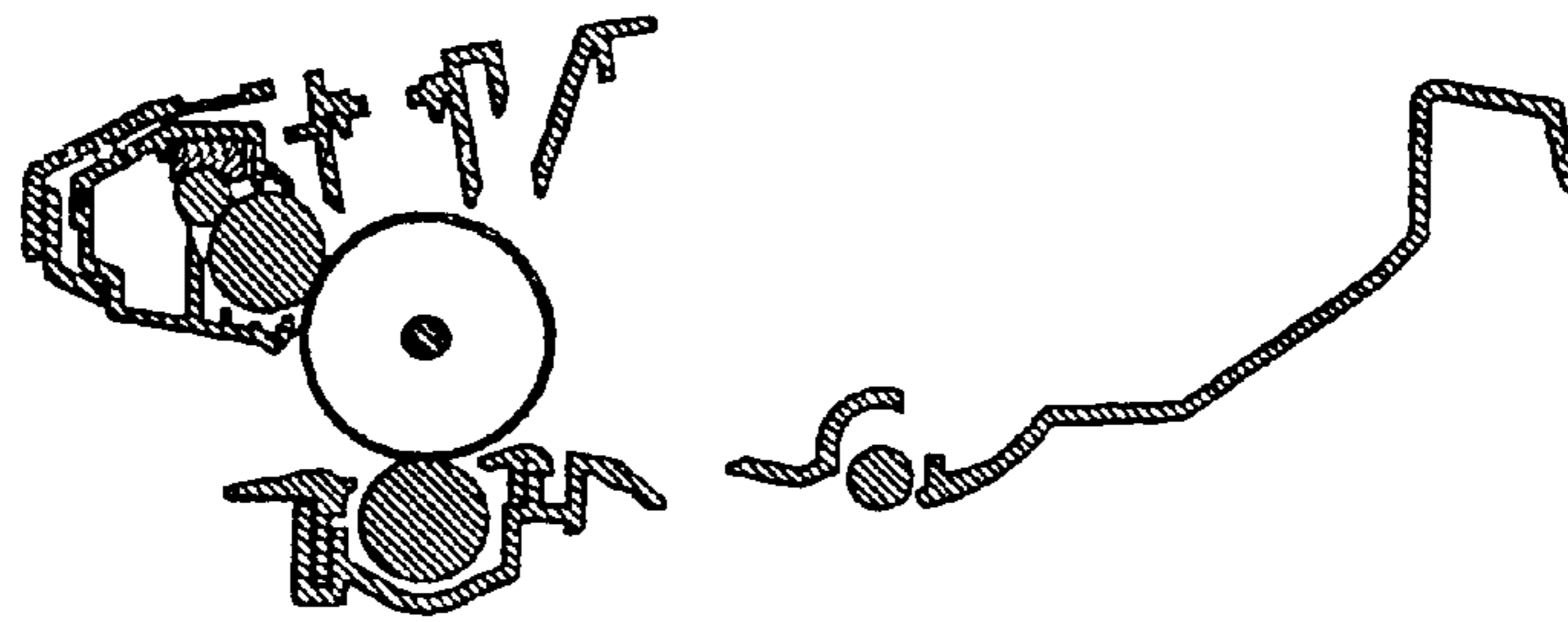


FIG. 9

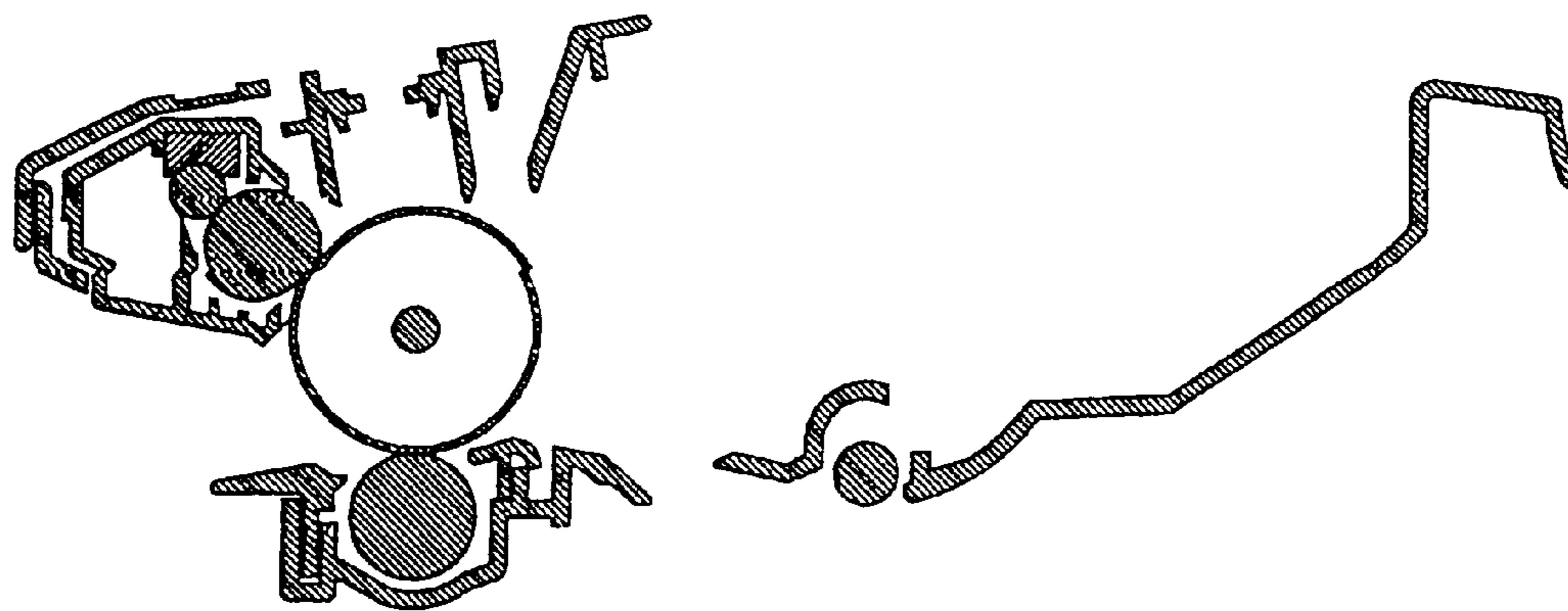


FIG. 10