

US00D509238S

(12) **United States Design Patent**  
**Takahata et al.**

(10) **Patent No.:** **US D509,238 S**  
(45) **Date of Patent:** **\*\* Sep. 6, 2005**

- (54) **ELECTRONIC CALCULATOR**
- (75) Inventors: **Kenji Takahata**, Kawagoe (JP); **Yo Wada**, Tokyo (JP)
- (73) Assignee: **Casio Keisanki Kabushiki Kaisha**, Tokyo (JP)
- (\*\*) Term: **14 Years**
- (21) Appl. No.: **29/198,136**
- (22) Filed: **Jan. 26, 2004**
- (51) **LOC (8) Cl.** ..... **18-01**
- (52) **U.S. Cl.** ..... **D18/11**
- (58) **Field of Search** ..... D18/1, 2, 4.1-4.6, D18/6-7, 10, 11; D14/341, 342, 343, 345, 346; 235/419-434, 61 R-60.22; 364/705.06, 705.07, 706-710; 200/5 A

- D362,266 S \* 9/1995 Matsuda ..... D18/7
- D373,783 S \* 9/1996 Ota et al. .... D18/7
- D437,351 S \* 2/2001 Chang et al. .... D18/2
- D488,500 S \* 4/2004 Matsuda et al. .... D18/7

\* cited by examiner

*Primary Examiner*—Caron D. Veynar  
(74) *Attorney, Agent, or Firm*—Frishauf, Holtz, Goodman & Chick, P.C.

(57) **CLAIM**

The ornamental design for an electronic calculator, as shown and described.

**DESCRIPTION**

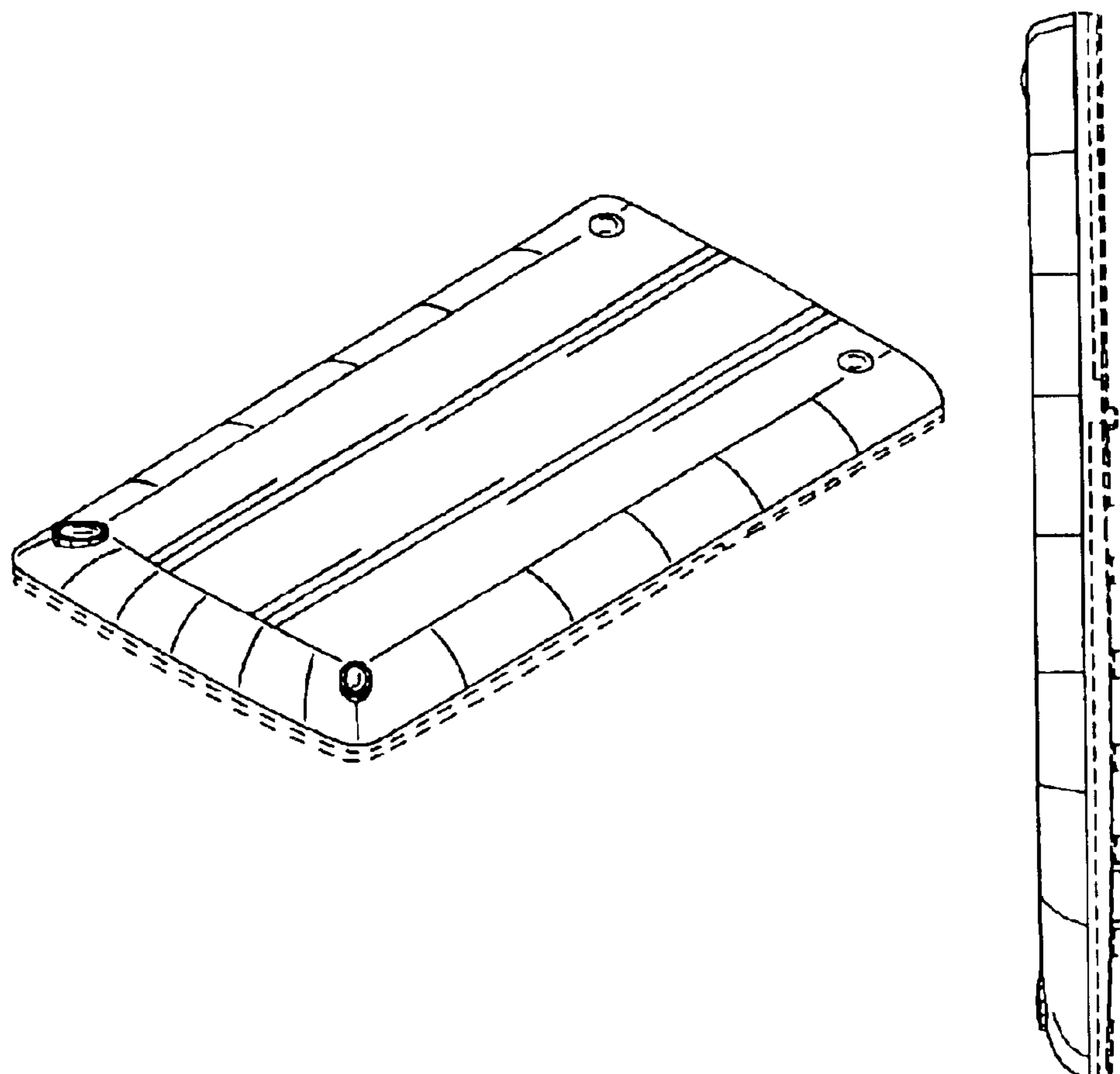
FIG. 1 is a rear, left, bottom side perspective view of an electronic calculator showing our new design; FIG. 2 is a front elevational view thereof; FIG. 3 is a rear elevational view thereof; FIG. 4 is a left side view thereof; FIG. 5 is a right side view thereof; FIG. 6 is a top plan view thereof; and, FIG. 7 is a bottom plan view thereof. The broken lines showing the top half of an electronic calculator is for illustrative purposes only and forms no part of the claimed design.

(56) **References Cited**

**U.S. PATENT DOCUMENTS**

- D243,250 S \* 2/1977 Hazama ..... D18/7
- D273,303 S \* 4/1984 Sakamoto ..... D18/7
- D309,623 S \* 7/1990 Sawada et al. .... D18/7
- D317,458 S \* 6/1991 Sawada et al. .... D18/7
- D317,618 S \* 6/1991 Sawada et al. .... D18/7
- D354,478 S \* 1/1995 Miyahara ..... D14/345

**1 Claim, 5 Drawing Sheets**



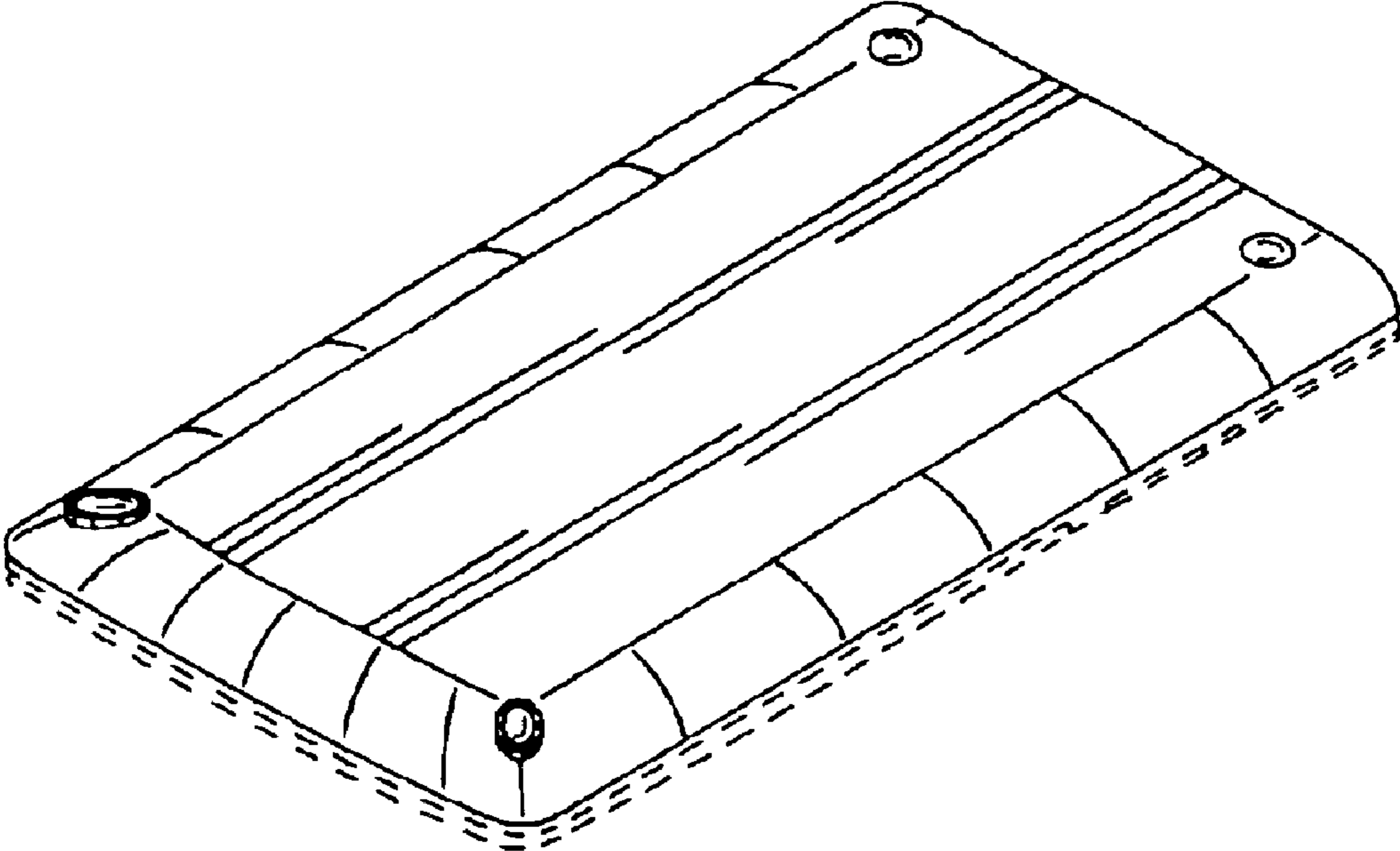


FIG. 1

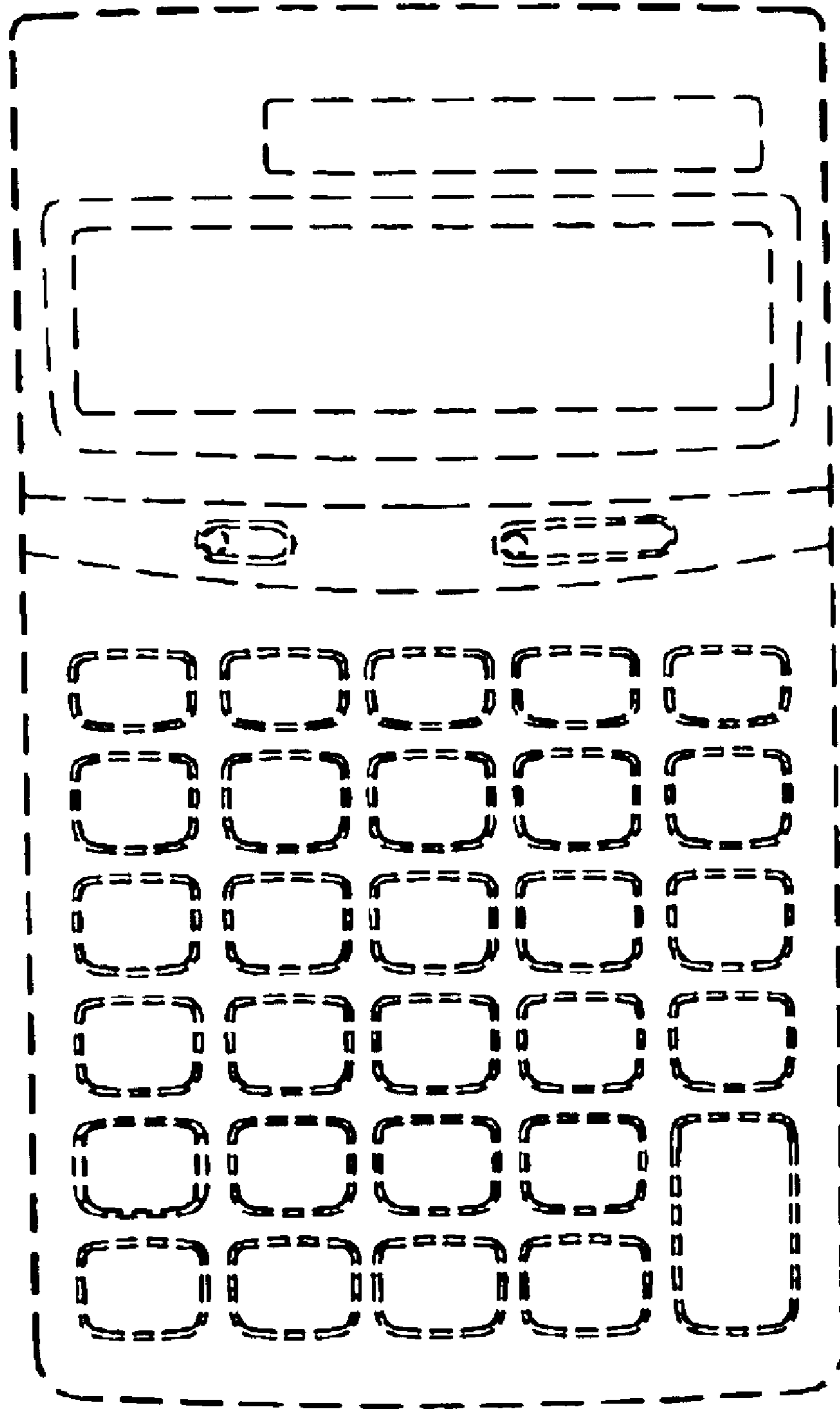
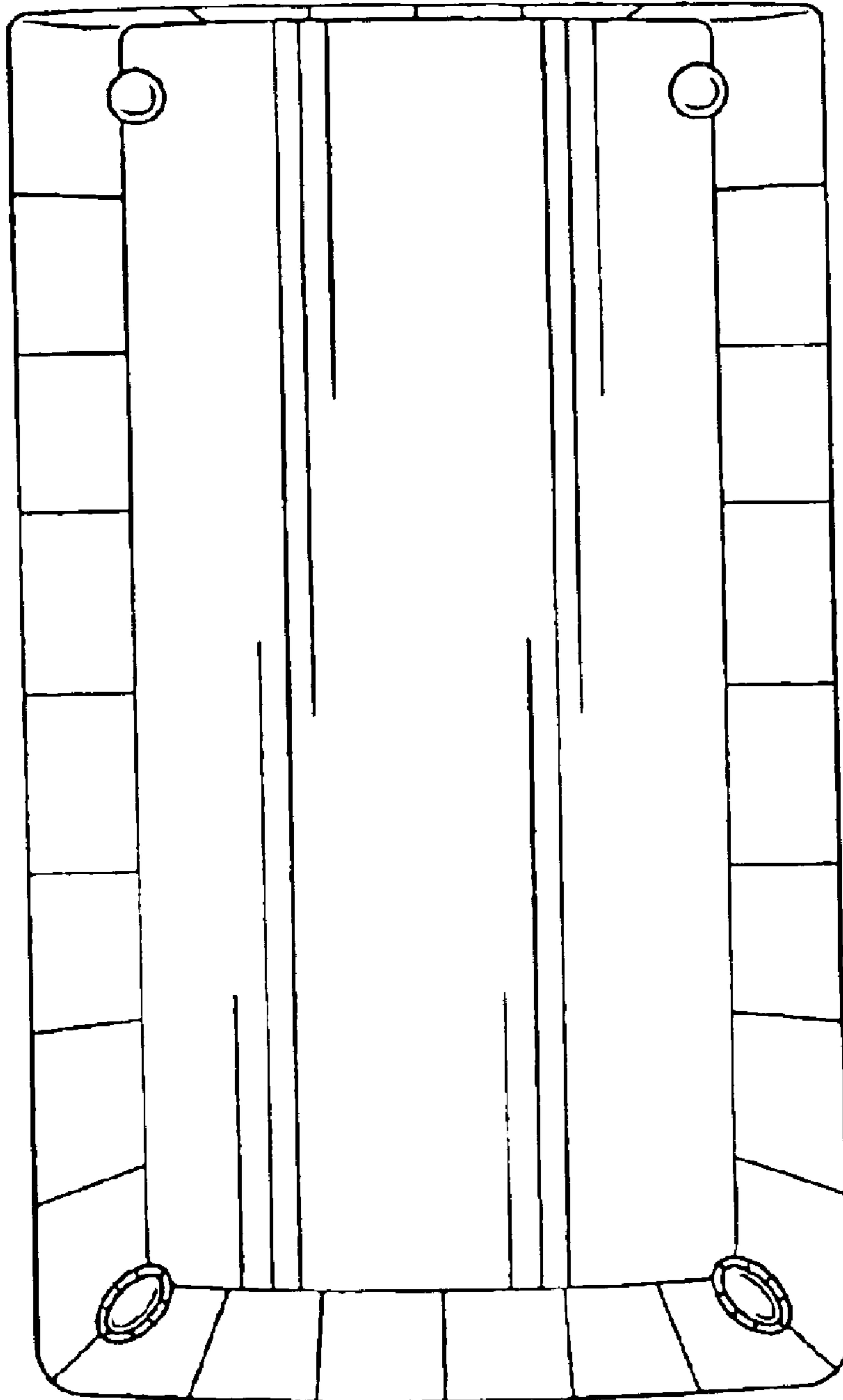
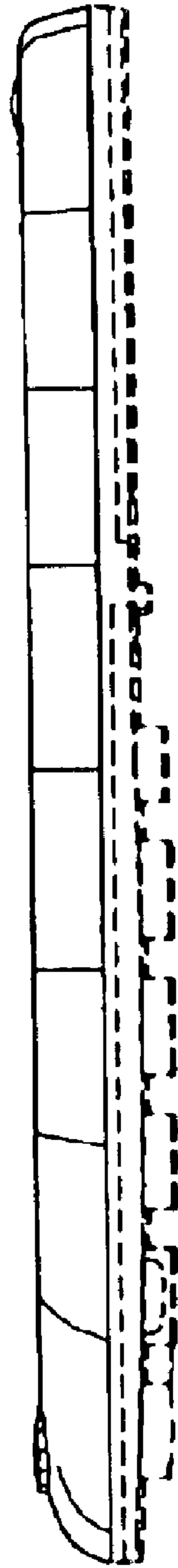


FIG. 2



**FIG. 3**



**FIG. 4**

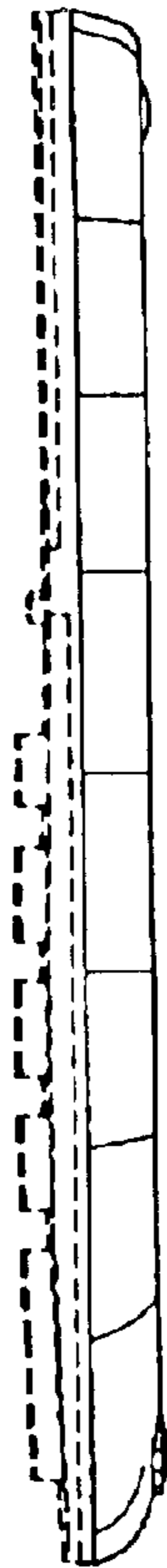


FIG. 5

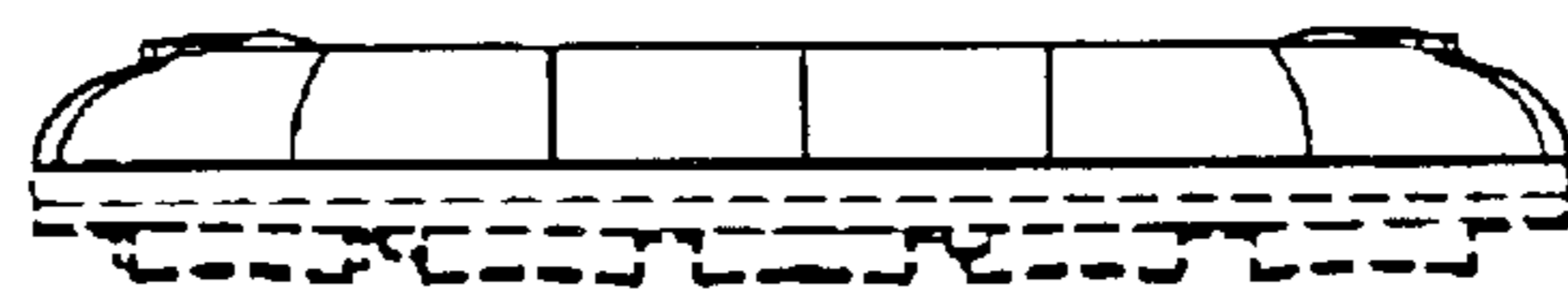


FIG. 6

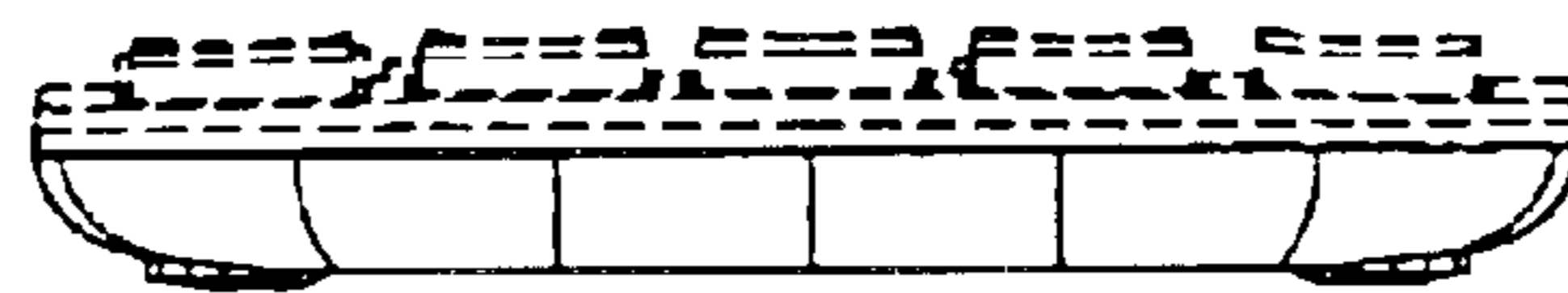


FIG. 7