



US00D509229S

(12) **United States Design Patent**
Kawaguchi

(10) **Patent No.:** **US D509,229 S**

(45) **Date of Patent:** **** Sep. 6, 2005**

(54) **PRESSER FOOT FOR SEWING MACHINE**

(75) **Inventor:** **Shinichi Kawaguchi**, Tokyo (JP)

(73) **Assignee:** **Kawaguchi Co., Ltd.**, Tokyo (JP)

(**) **Term:** **14 Years**

(21) **Appl. No.:** **29/217,625**

(22) **Filed:** **Nov. 22, 2004**

(51) **LOC (8) Cl.** **15-06**

(52) **U.S. Cl.** **D15/78; D15/72**

(58) **Field of Search** **D15/72, 78; 112/226, 112/270, 235-240, 259-261; 225/83; 451/432**

(56) **References Cited**

U.S. PATENT DOCUMENTS

| | | | | | | |
|-----------|---|---|---------|-----------------|-------|---------|
| 288,529 | A | * | 11/1883 | Wellman | | 112/235 |
| 1,036,845 | A | * | 8/1912 | Hohmann | | 112/235 |
| 1,265,278 | A | * | 5/1918 | Tate | | 112/235 |
| D161,284 | S | * | 12/1950 | Russell | | D15/72 |
| 3,933,106 | A | * | 1/1976 | Murray | | 112/235 |
| 3,967,567 | A | * | 7/1976 | Yurkunas et al. | | 112/240 |
| D253,473 | S | * | 11/1979 | Jolley | | D15/78 |
| D257,725 | S | * | 12/1980 | Ingram | | D15/78 |
| D332,614 | S | * | 1/1993 | Lindsay | | D15/78 |

* cited by examiner

Primary Examiner—Stella Reid

Assistant Examiner—Shanda C. Hill

(74) *Attorney, Agent, or Firm*—Wenderoth, Lind & Ponack, L.L.P.

(57) **CLAIM**

The ornamental design for a presser foot for sewing machine, as shown and described.

DESCRIPTION

FIG. 1 is a perspective view of a presser foot for sewing machine, showing my new design;

FIG. 2 is a front elevational view thereof;

FIG. 3 is a rear elevational view thereof;

FIG. 4 is a top plan view thereof;

FIG. 5 is a bottom plan view thereof;

FIG. 6 is a right side elevational view thereof;

FIG. 7 is a left side elevational view thereof;

FIG. 8 is a cross sectional view thereof, taken along line 8—8 of FIG. 2; and,

FIG. 9 is a perspective view thereof, in use condition.

The broken line shown is for illustrative purposes only and forms no part of the claimed design.

1 Claim, 4 Drawing Sheets

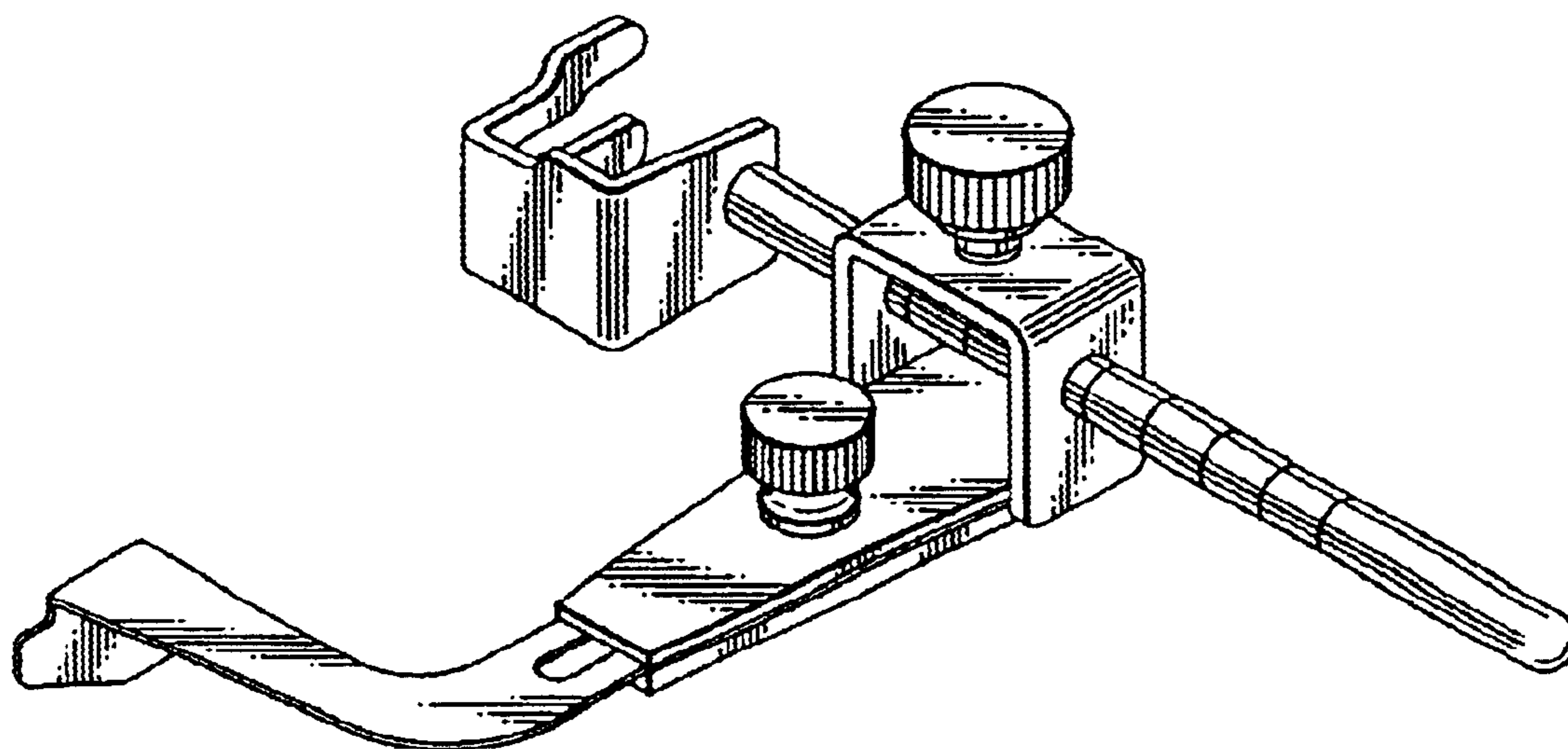


FIG. 1

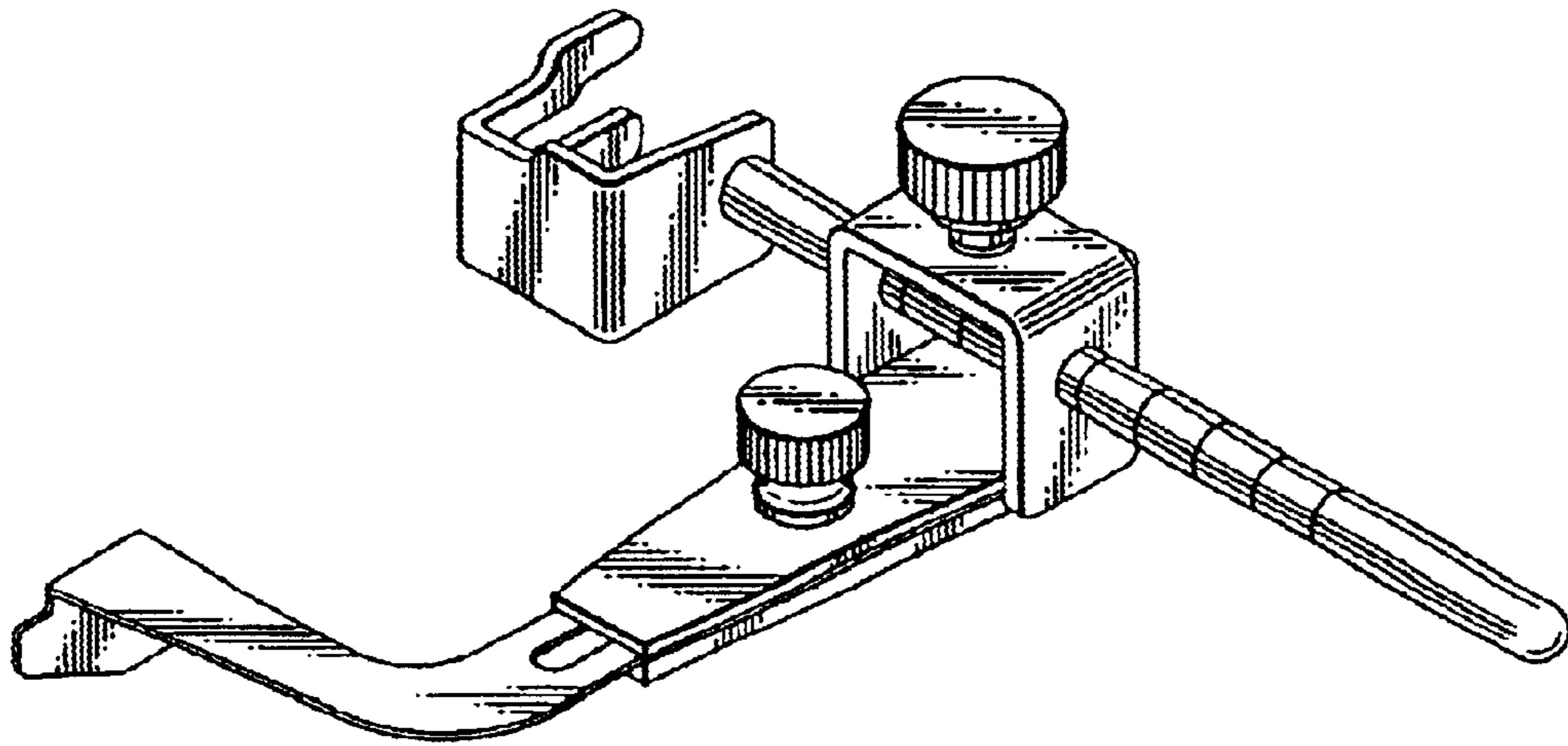


FIG. 2

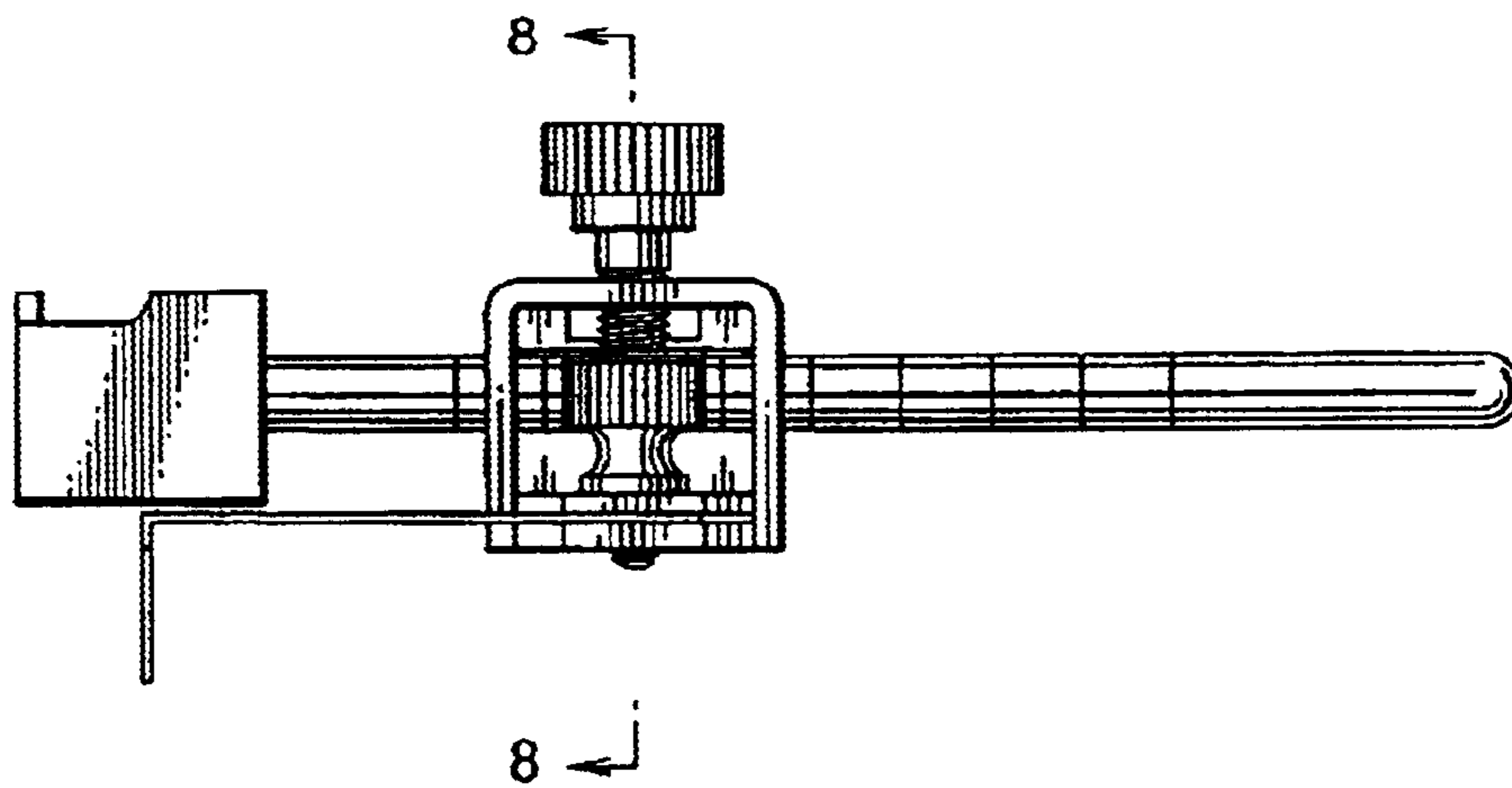


FIG. 3

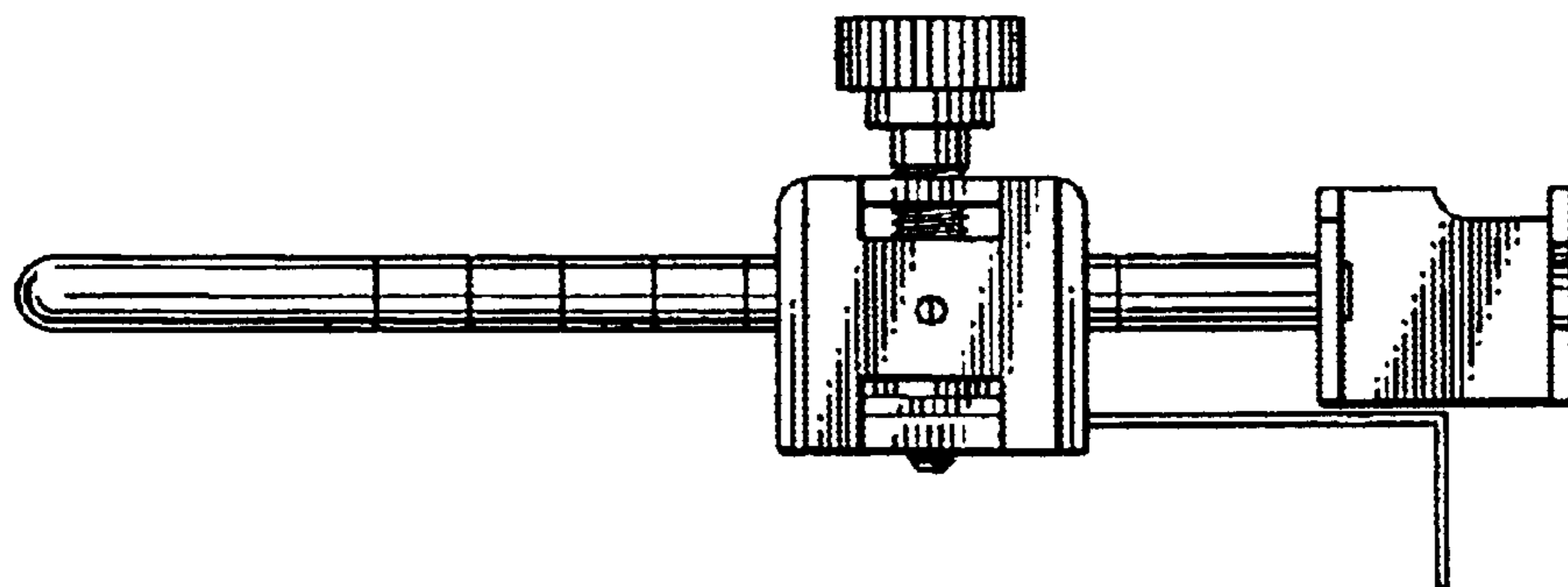


FIG.4

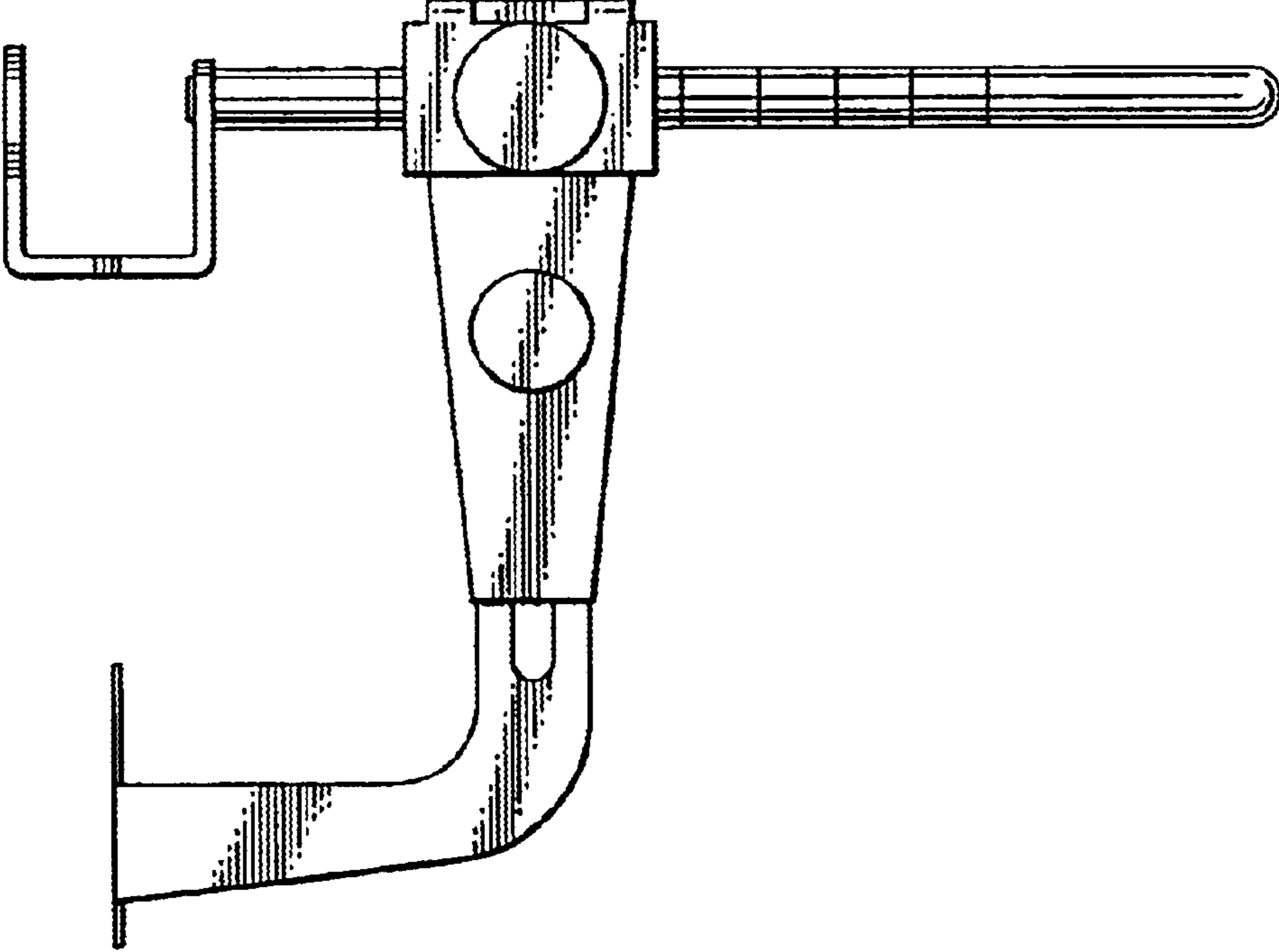


FIG.5

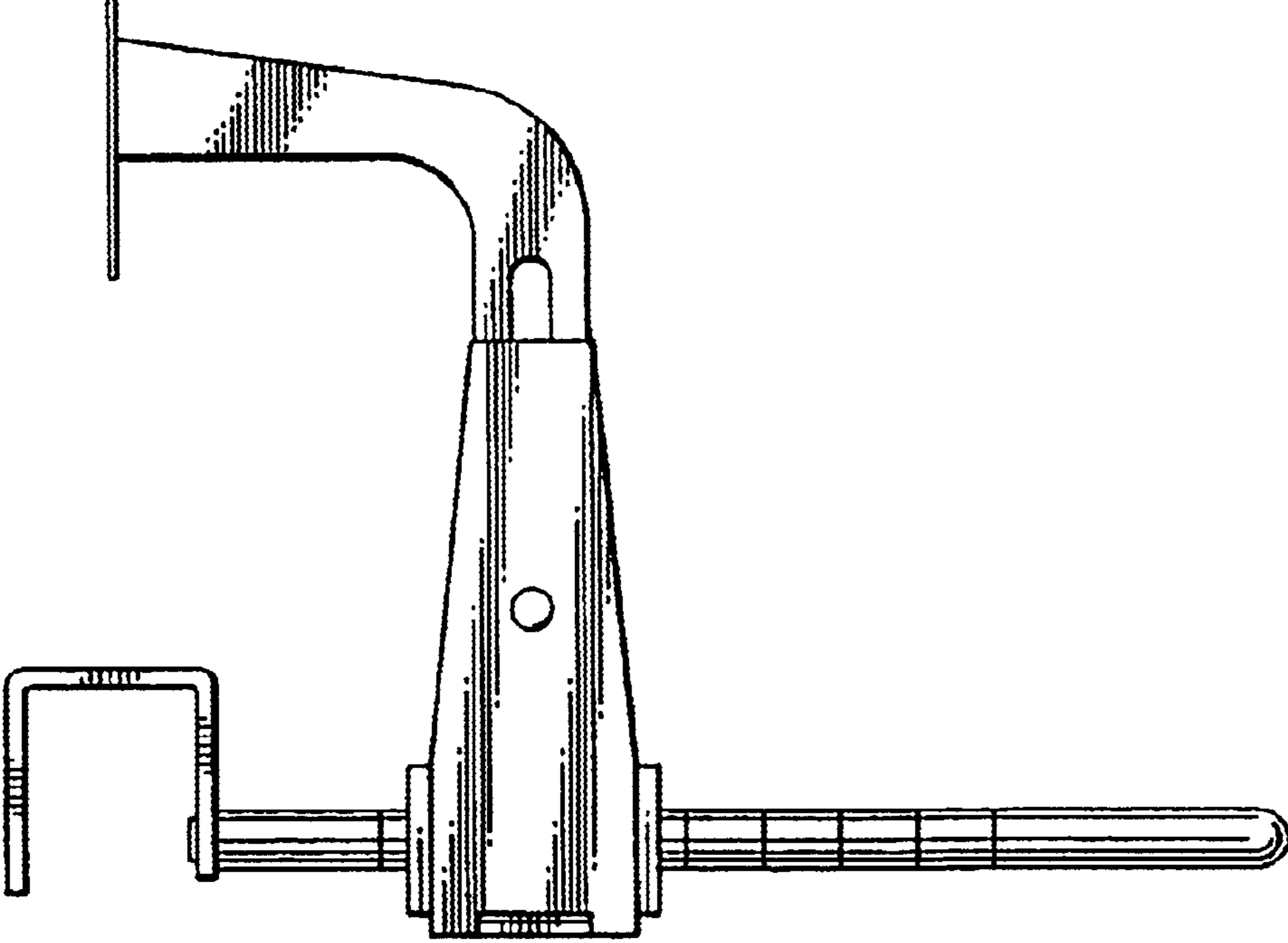


FIG. 6

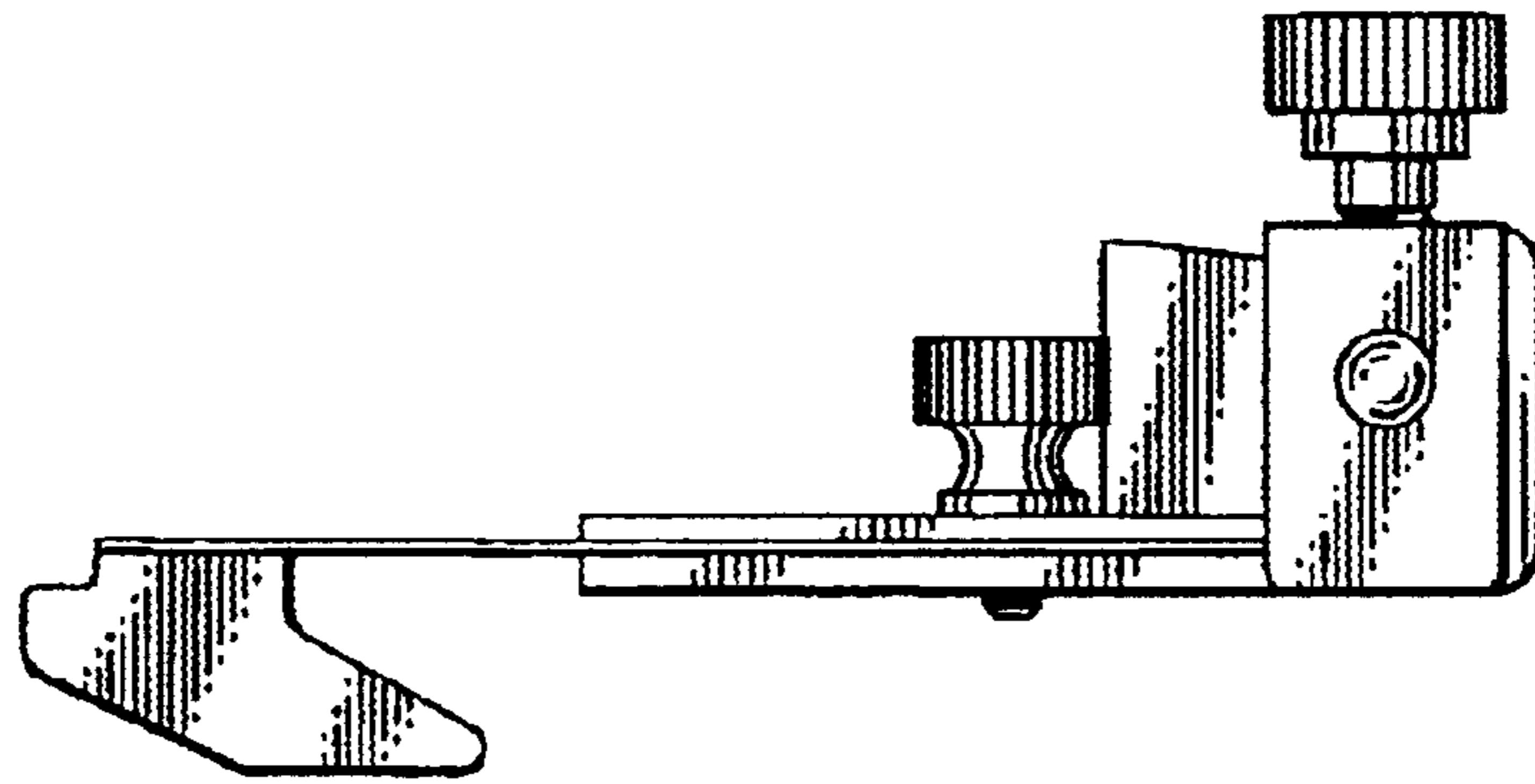


FIG. 7

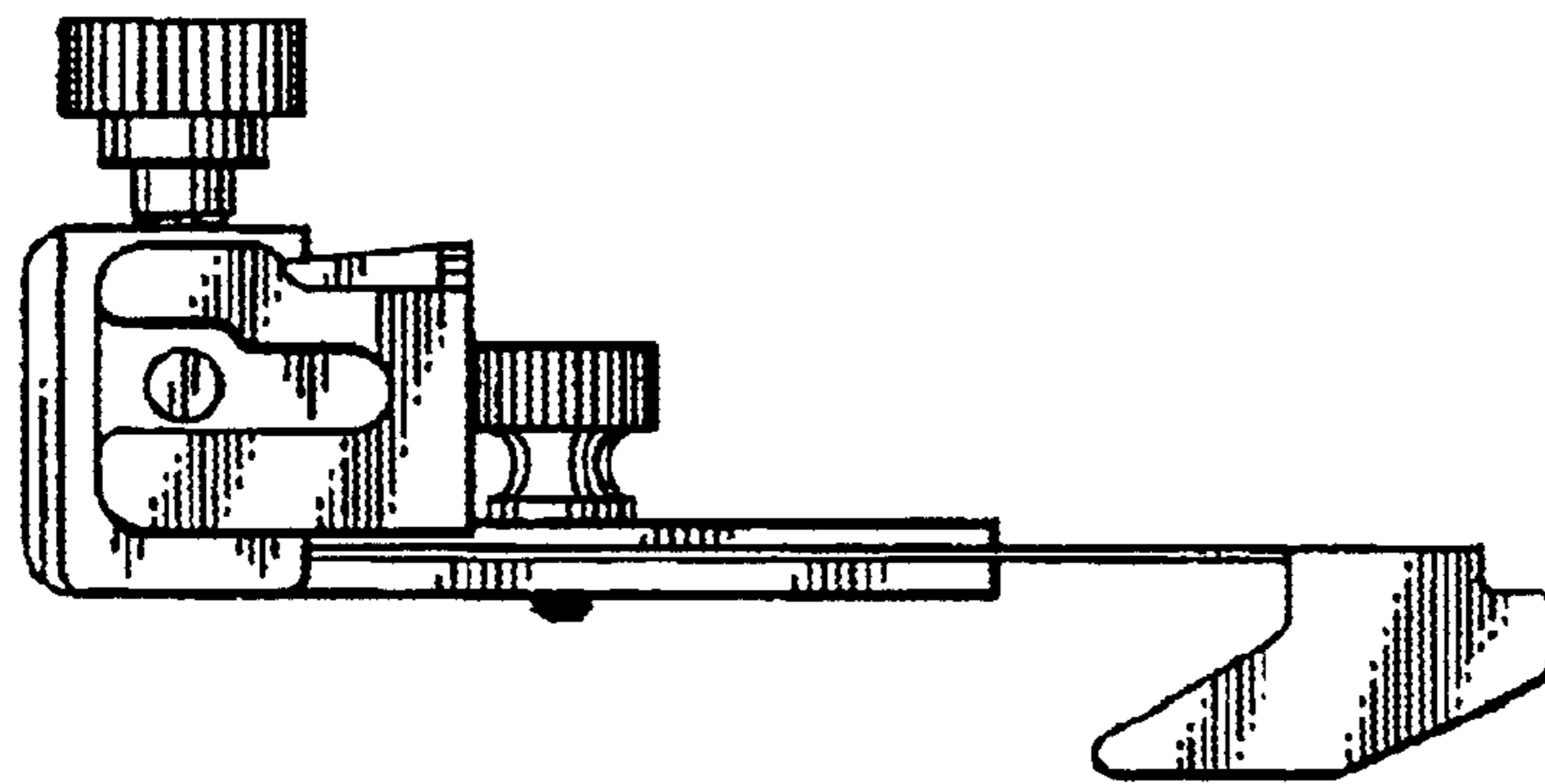


FIG. 8

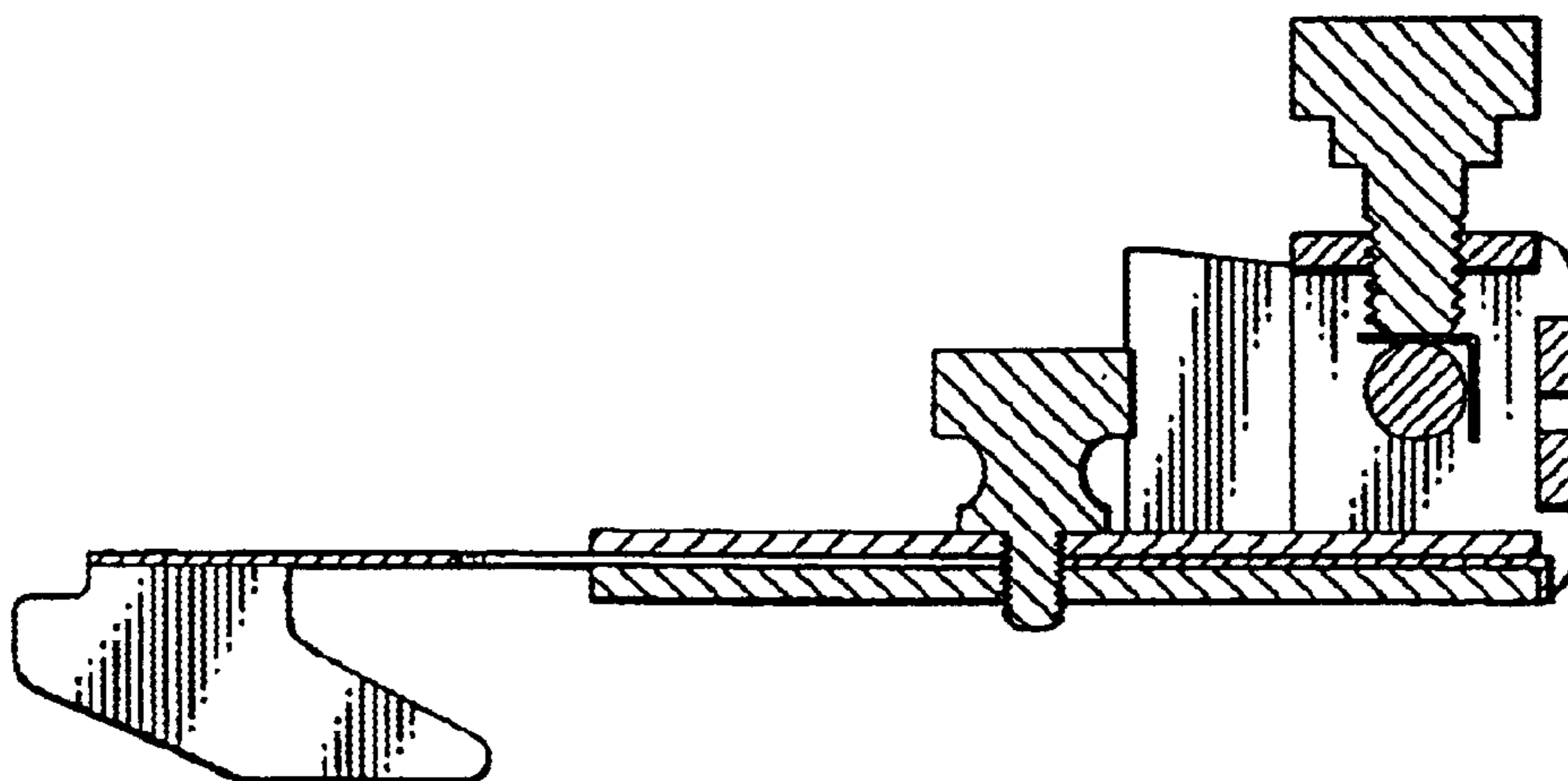


FIG.9

