



US00D509228S

(12) **United States Design Patent**
Chapman

(10) **Patent No.:** **US D509,228 S**

(45) **Date of Patent:** **** Sep. 6, 2005**

(54) **ATV PLOW**

(76) **Inventor:** **Matthew Chapman**, 126 Bluejay Rd.,
Hodges, SC (US) 29356

(**) **Term:** **14 Years**

(21) **Appl. No.:** **29/204,345**

(22) **Filed:** **Apr. 28, 2004**

(51) **LOC (8) Cl.** **15-03**

(52) **U.S. Cl.** **D15/27**

(58) **Field of Search** D15/10, 11, 27,
D15/28, 29; 172/799.5, 196, 669, 684.5,
675, 676, 685, 700, 713, 482, 468, 440

(56) **References Cited**

U.S. PATENT DOCUMENTS

2,884,081	A	*	4/1959	Walter	172/482
D216,143	S	*	11/1969	Cline	D15/11
D268,497	S	*	4/1983	Adair	D15/11
D271,768	S	*	12/1983	Sommerfeld	D15/27
4,535,849	A	*	8/1985	Dietrich, Sr.	172/468
D295,979	S	*	5/1988	Baeta	D15/27
D368,101	S	*	3/1996	Eubanks	D15/27
5,746,275	A	*	5/1998	Cross et al.	172/440
5,829,536	A	*	11/1998	Pigg et al.	172/482

D437,326 S * 2/2001 Koberlein et al. D15/11

* cited by examiner

Primary Examiner—Stella M. Reid

Assistant Examiner—Mark A. Goodwin

(74) *Attorney, Agent, or Firm*—J. Bennett Mullinax, LLC

(57) **CLAIM**

The ornamental design for an ATV plow, as shown and described.

DESCRIPTION

FIG. 1 is a rear perspective view of an ATV plow showing my new design;

FIG. 2 is a top plan view thereof;

FIG. 3 is a bottom plan view thereof;

FIG. 4 is a side view thereof;

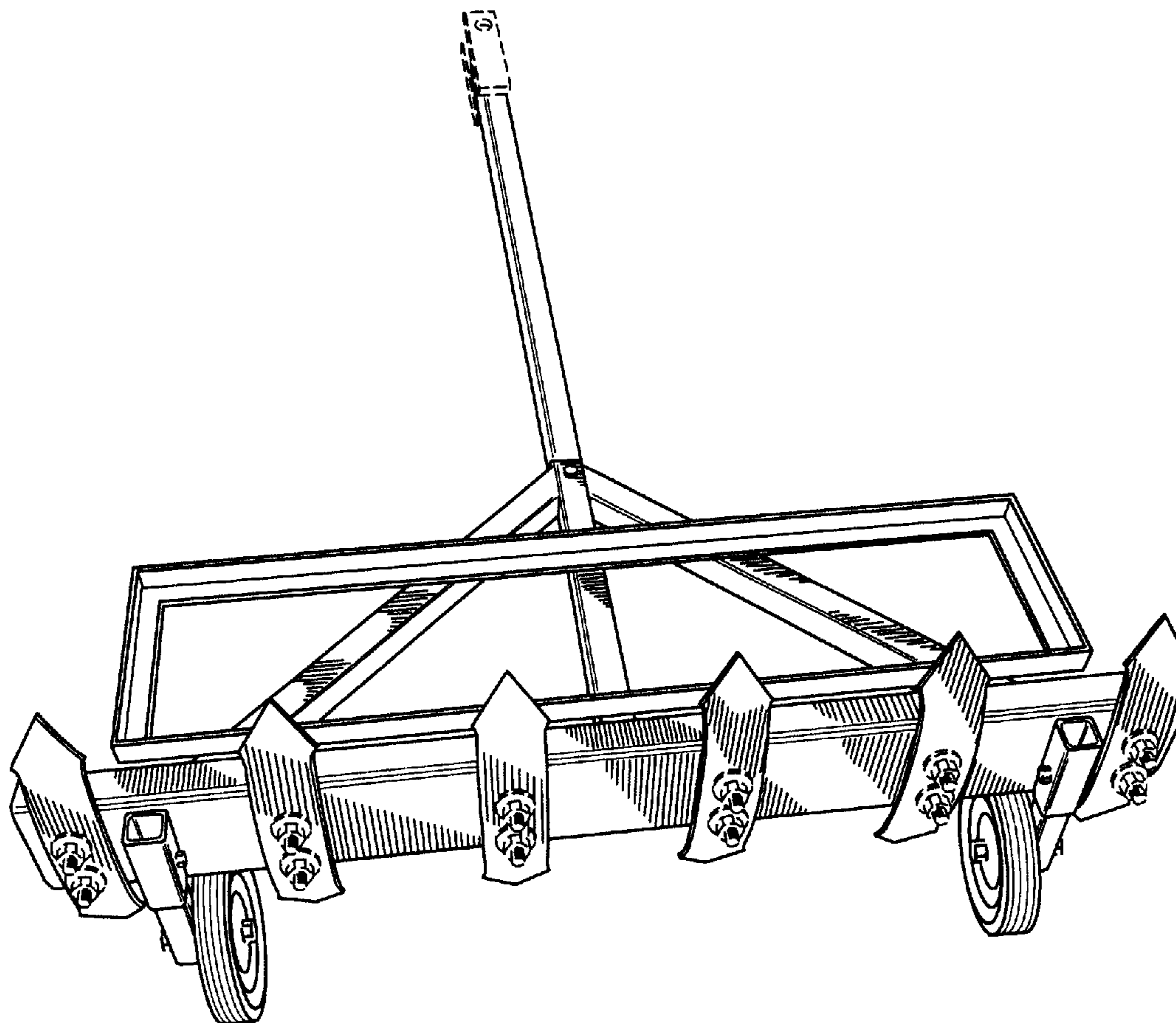
FIG. 5 is an a opposite side view thereof;

FIG. 6 is a rear view thereof; and,

FIG. 7 is a front view thereof.

The broken lines showing details of the hitch seen in FIGS. 1 through 5, and FIG. 7 and the broken lines of the plow point attachment bolts and other attachment hardware seen in FIGS. 1 through 7 are for illustrative purposes only and form no part of the claimed design.

1 Claim, 5 Drawing Sheets



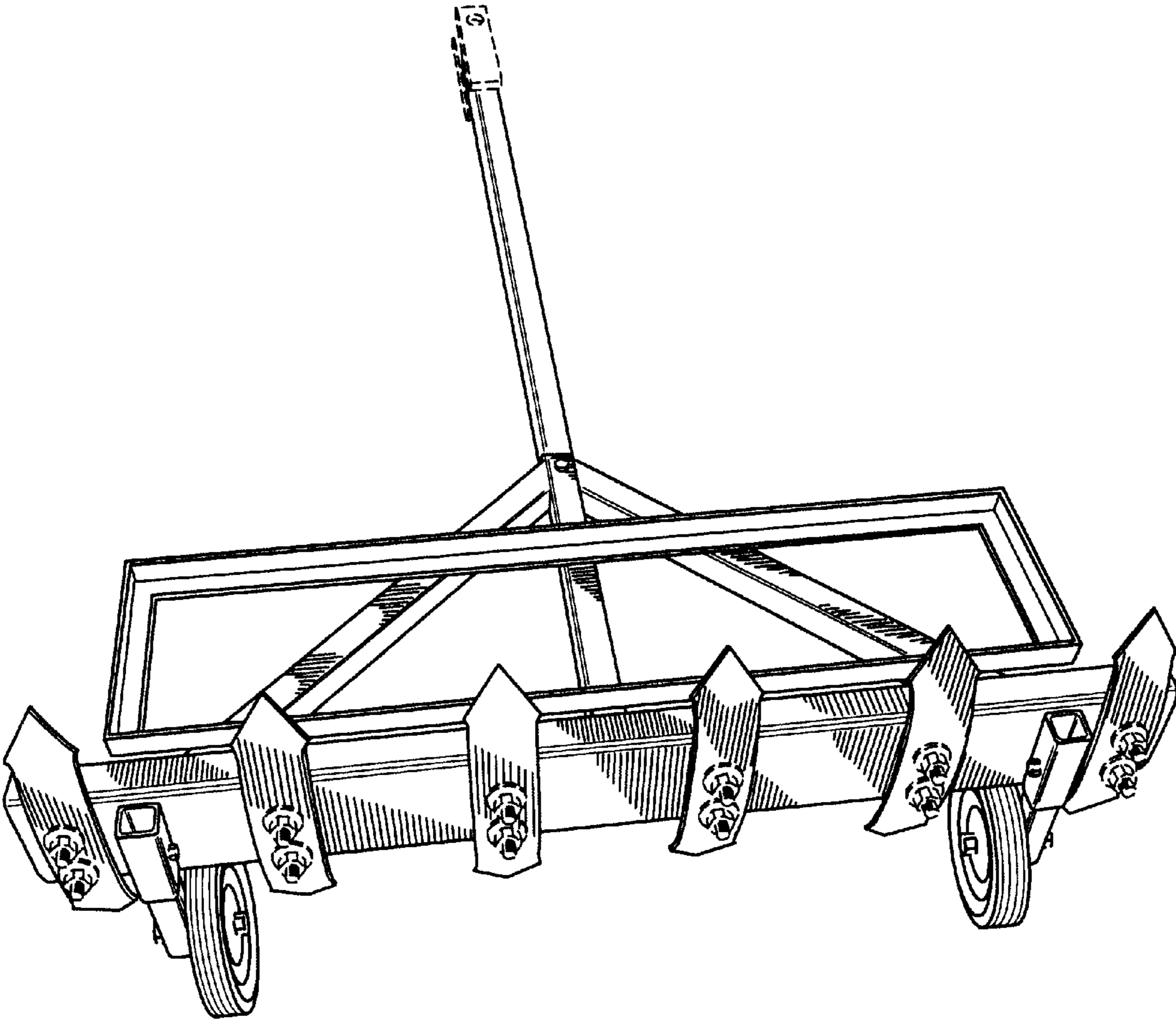


Fig. 1

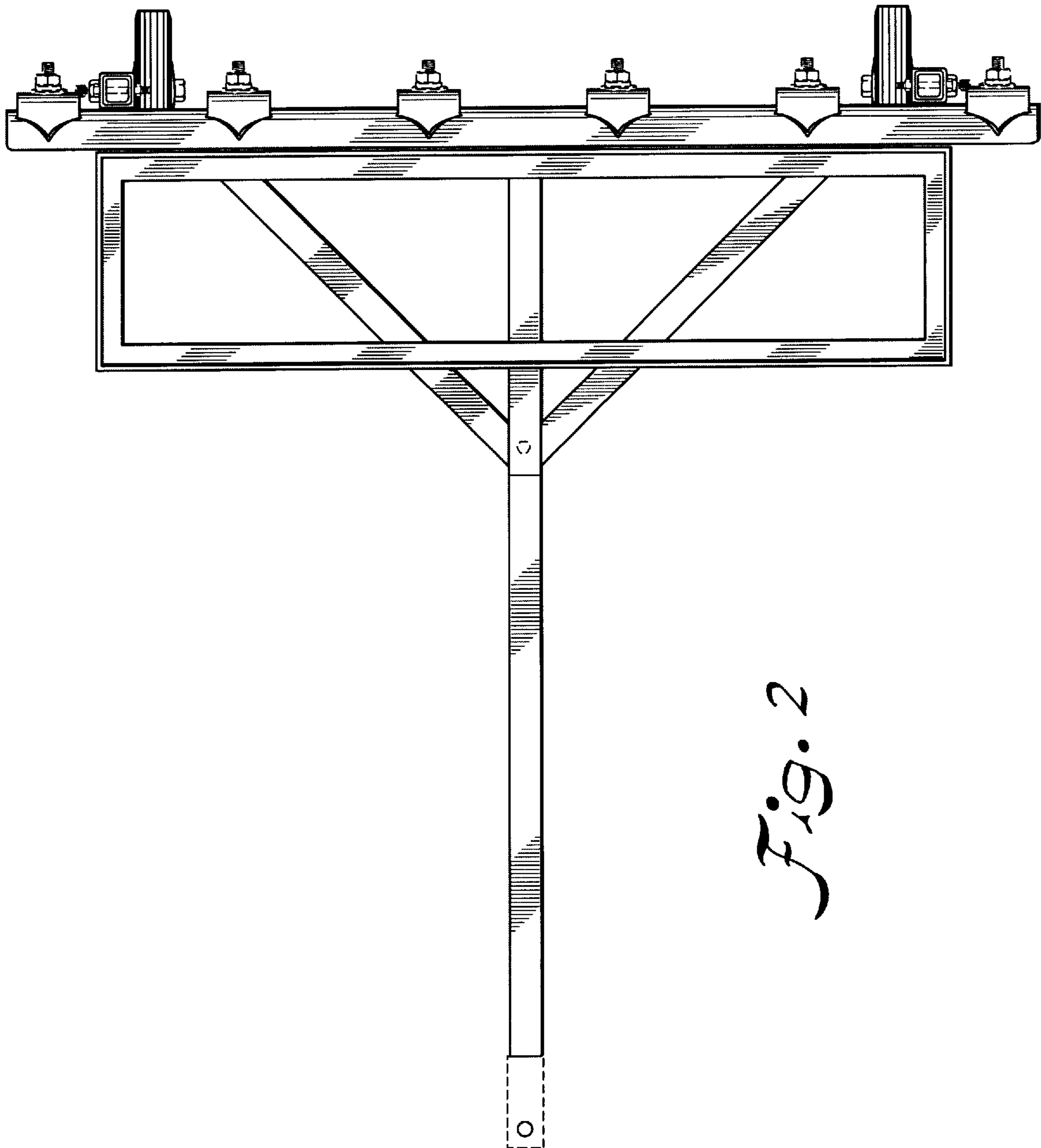


Fig. 2

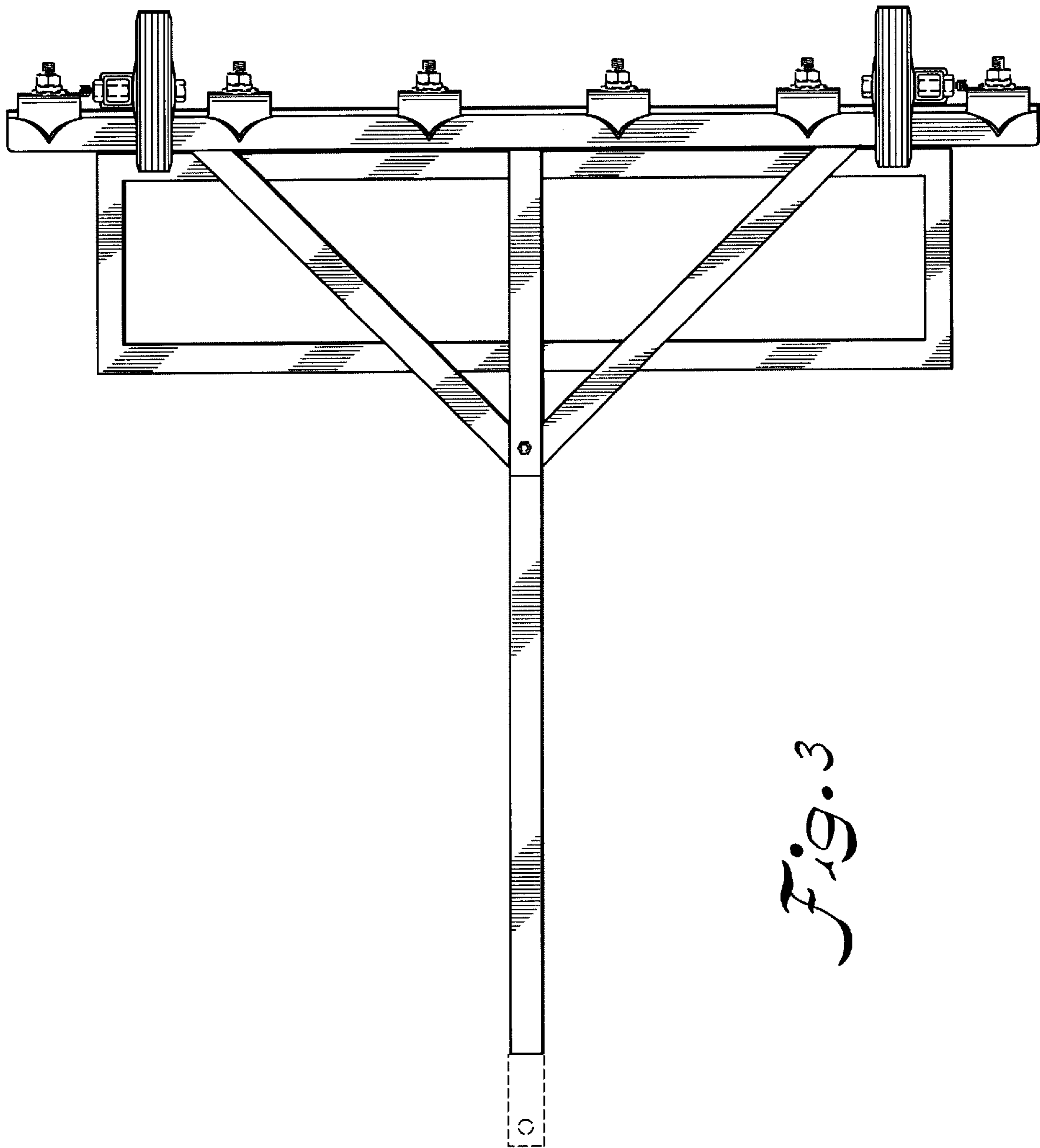


Fig. 3

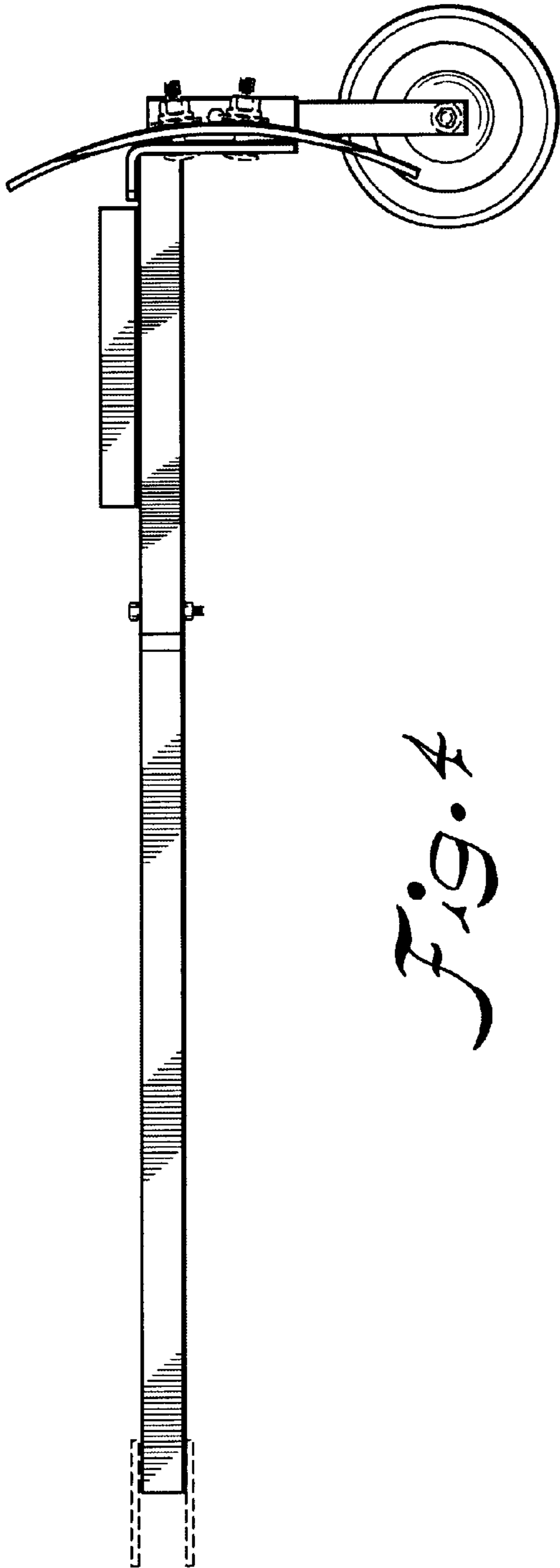


Fig. 4

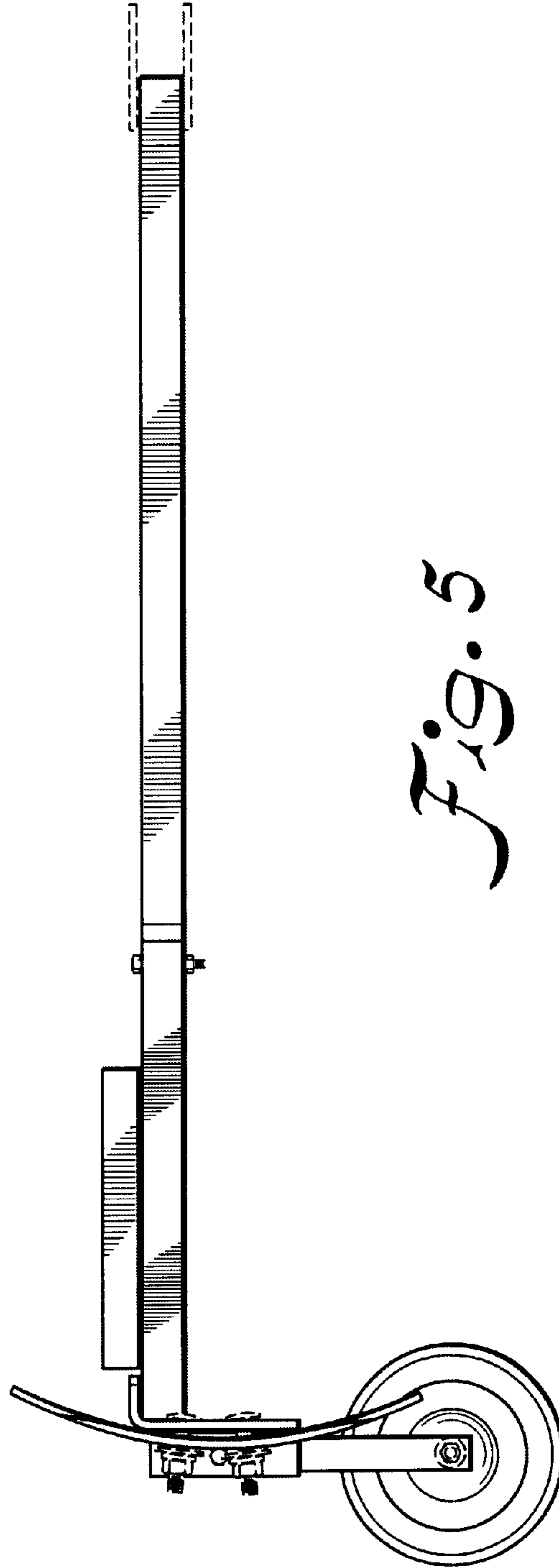


Fig. 5

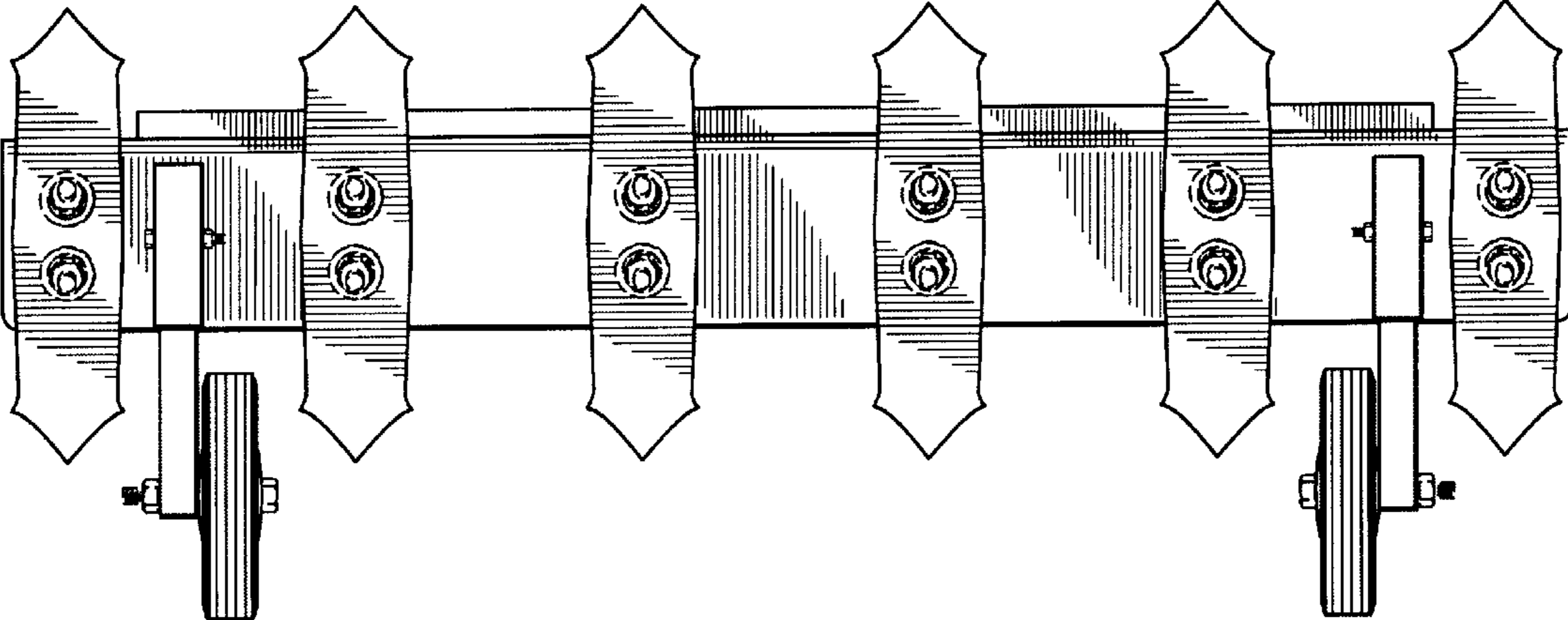


Fig. 6

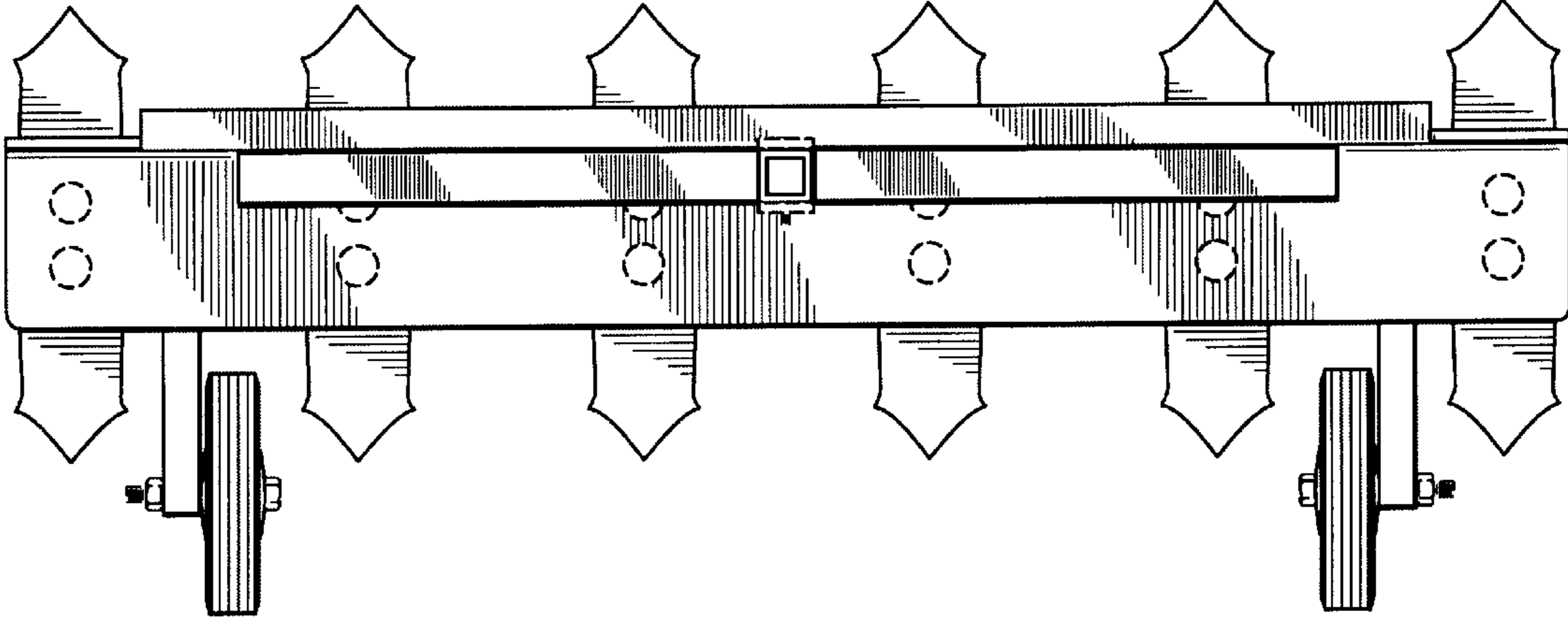


Fig. 7