

US00D509227S

(12) **United States Design Patent** (10) **Patent No.:** **US D509,227 S**
Buck (45) **Date of Patent:** **** Sep. 6, 2005**

(54) **CRANKCASE COVER FOR COMPRESSOR**
 (75) Inventor: **John E. Buck**, Cockeysville, MD (US)
 (73) Assignee: **Black & Decker Inc.**, Newark, DE (US)
 (**) Term: **14 Years**

Primary Examiner—Ralf Seifert
 (74) *Attorney, Agent, or Firm*—Harness, Dickey & Pierce, P.L.C.

(21) Appl. No.: **29/211,258**
 (22) Filed: **Aug. 12, 2004**

(57) **CLAIM**

The ornamental design for a crankcase cover for compressor and the like, as shown and described.

(51) **LOC (8) Cl.** **15-02**
 (52) **U.S. Cl.** **D15/9**
 (58) **Field of Search** D15/7-9; D23/231-232;
 417/410.4, 359, 415, 410.3, 234, 229, 321,
 265, 405

DESCRIPTION

FIG. 1 is a perspective view of a portable compressor which embodies a crankcase cover in accordance with the present design;

FIG. 2 is a perspective view of the crankcase cover; and,

FIG. 3 is a front view of the crankcase cover.

It is to be understood that those portions of the crankcase cover shown in broken line in the accompanying figures do not constitute an integral part of the claimed design and, therefore, are disclaimed as part of the claimed design.

(56) **References Cited**

U.S. PATENT DOCUMENTS

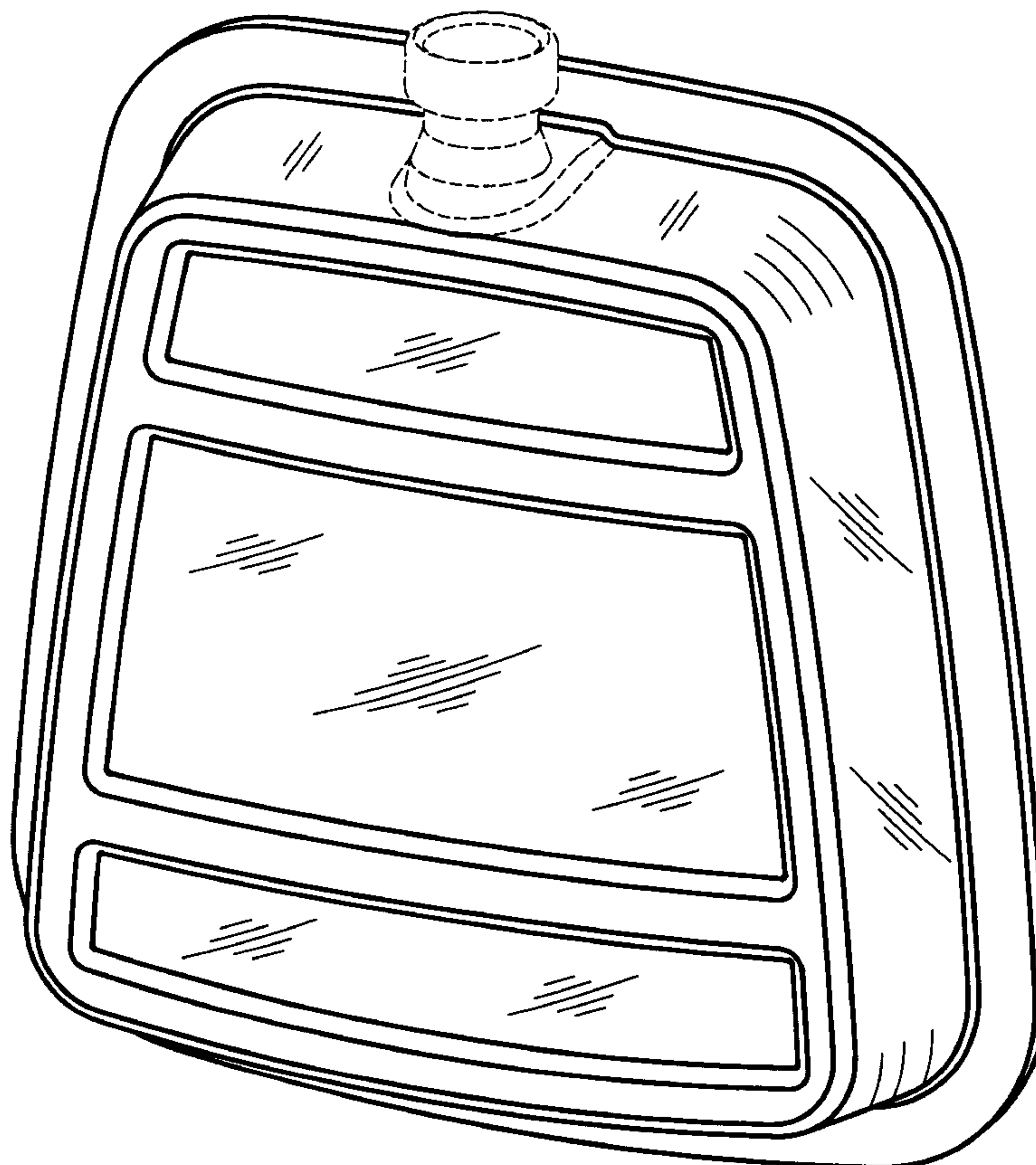
D450,061 S * 11/2001 Graber et al. D15/9
 D455,761 S * 4/2002 Graber et al. D15/9

OTHER PUBLICATIONS

Smith & Wesson, SW 2000 Air Compressor Manual, 2000.

* cited by examiner

1 Claim, 3 Drawing Sheets



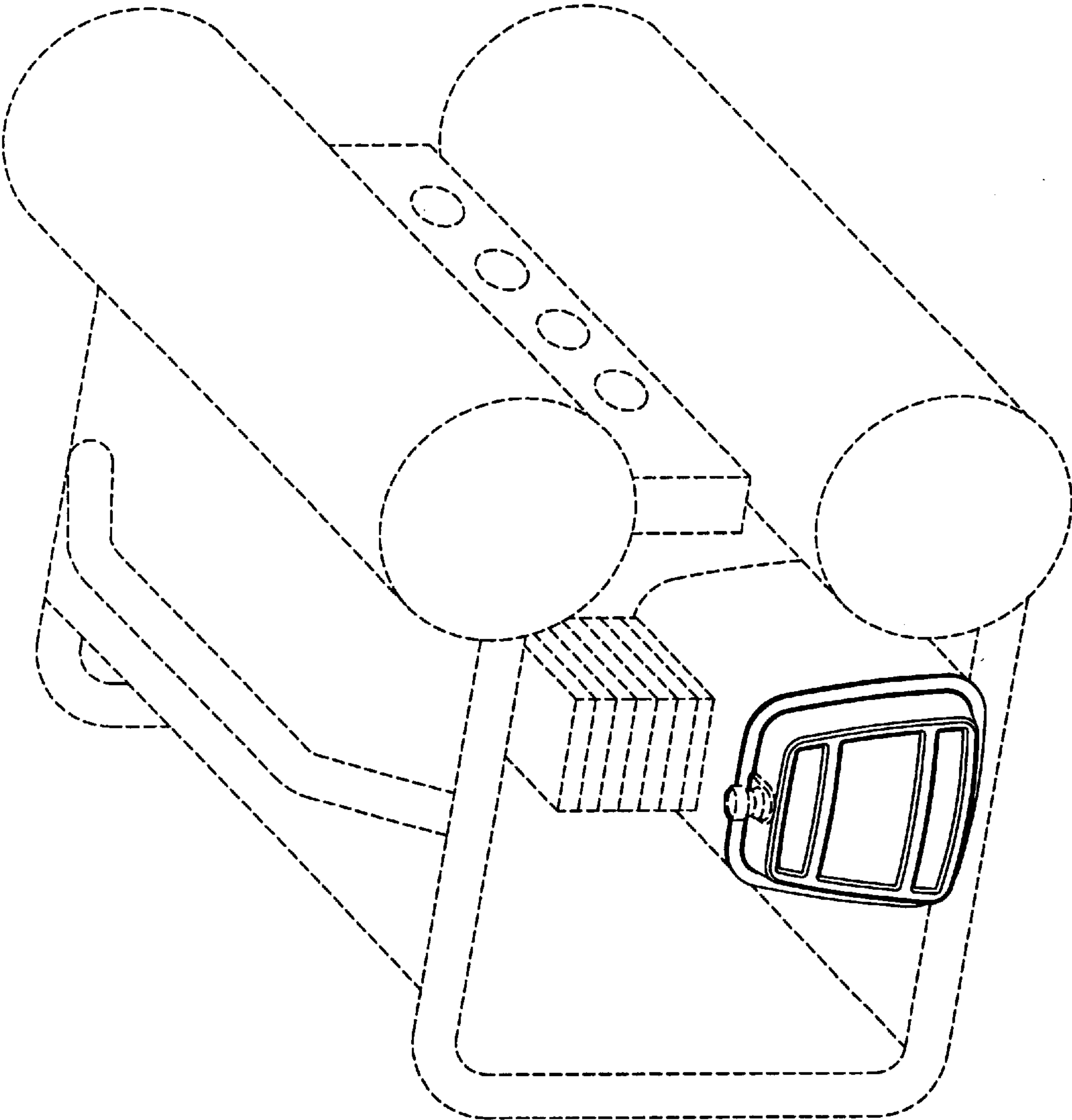


FIG 1

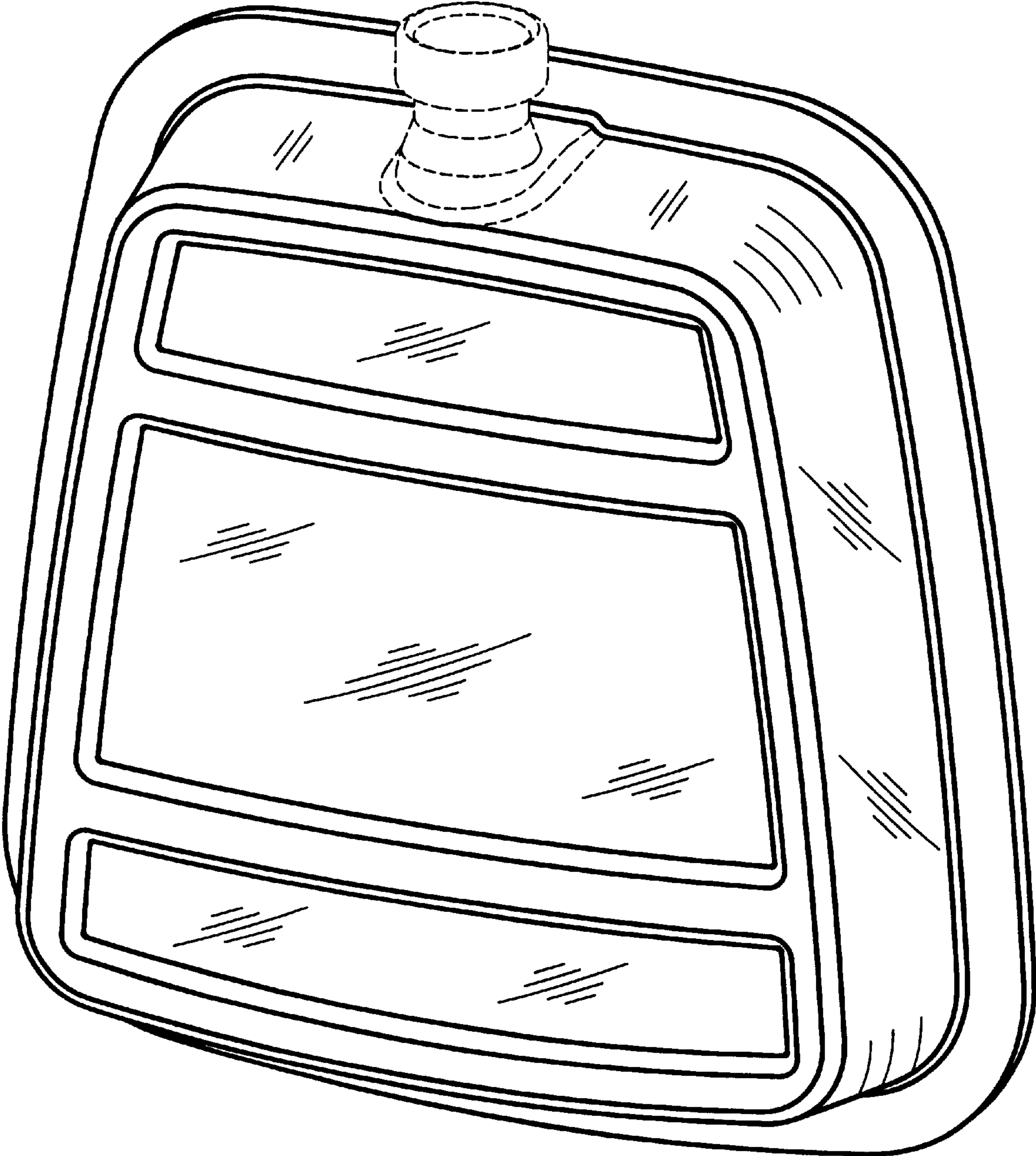


FIG 2

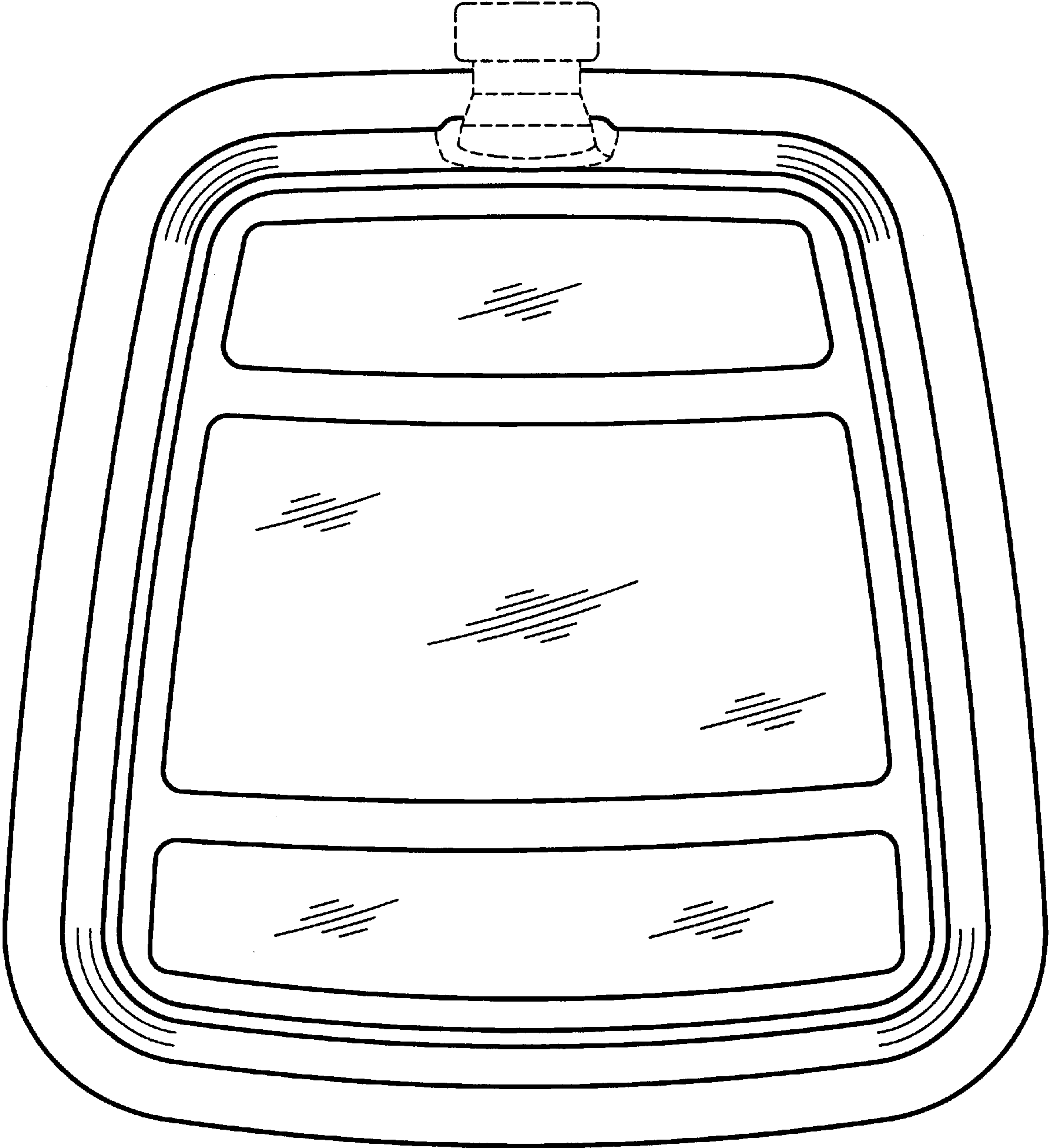


FIG 3

UNITED STATES PATENT AND TRADEMARK OFFICE
CERTIFICATE OF CORRECTION

PATENT NO. : Des. 509,227 S
DATED : September 6, 2005
INVENTOR(S) : John E. Buck


Page 1 of 1

It is certified that error appears in the above-identified patent and that said Letters Patent is hereby corrected as shown below:

Title page,
Item [57], **CLAIM,**
Line 1, "compressor" should be -- compressors --.
Line 3, delete "and the like,".

Signed and Sealed this

Twenty-fourth Day of January, 2006

A handwritten signature in black ink on a light gray dotted background. The signature reads "Jon W. Dudas" in a cursive style.

JON W. DUDAS

Director of the United States Patent and Trademark Office