



US00D509226S

(12) **United States Design Patent**  
**Van Norman**

(10) **Patent No.:** **US D509,226 S**

(45) **Date of Patent:** **\*\* Sep. 6, 2005**

(54) **COMBINED PUMP GEAR BOX BEARING  
RETAINERS AND DRIVE SHAFTS**

D427,218 S \* 6/2000 Jordan ..... D15/149  
6,125,717 A \* 10/2000 Phillips ..... 74/606 R  
D453,939 S \* 2/2002 Ochiai ..... D15/9

(75) **Inventor:** **Drew J. Van Norman**, Whitewater, WI  
(US)

\* cited by examiner

(73) **Assignee:** **SPX Corporation**, Charlotte, NC (US)

*Primary Examiner*—Ralf Seifert

(74) *Attorney, Agent, or Firm*—Baker & Hostetler LLP

(\*\*) **Term:** **14 Years**

(57) **CLAIM**

(21) **Appl. No.:** **29/205,006**

The ornamental design for combined pump gear box bearing retainers and drive shafts, as shown and described.

(22) **Filed:** **May 10, 2004**

**DESCRIPTION**

(51) **LOC (8) Cl.** ..... **15-02**

(52) **U.S. Cl.** ..... **D15/7**

(58) **Field of Search** ..... D15/7-9; 417/321,  
417/410, 413.1, 415, 423.3, 486, 521, 534;  
415/148

FIG. 1 is a perspective view of the pump gearbox bearing retainers and drive shafts, particularly showing the inventive design thereof;

FIG. 2 is a front view thereof;

FIG. 3 is a right side view thereof;

FIG. 4 is a left side view thereof;

FIG. 5 is a top view thereof; and,

FIG. 6 is a detail view of FIG. 1.

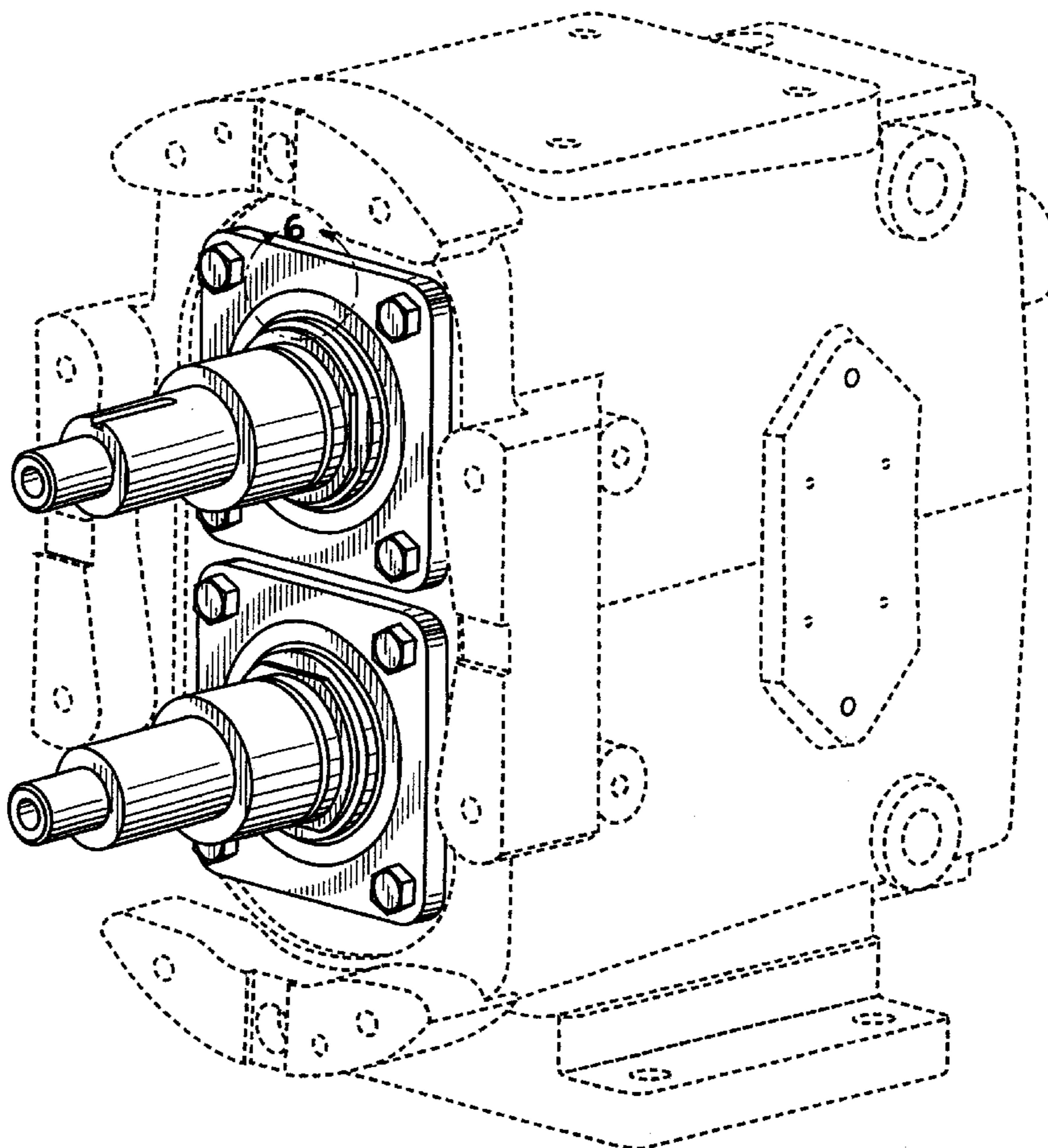
It being understood that the broken lines are for illustrative purposes only and form no part of the claimed design.

(56) **References Cited**

**U.S. PATENT DOCUMENTS**

5,447,078 A \* 9/1995 Robinson et al. .... 74/606 R  
D377,657 S \* 1/1997 Winters, Sr. .... D15/149  
D406,596 S \* 3/1999 Ziegler et al. .... D15/148

**1 Claim, 6 Drawing Sheets**



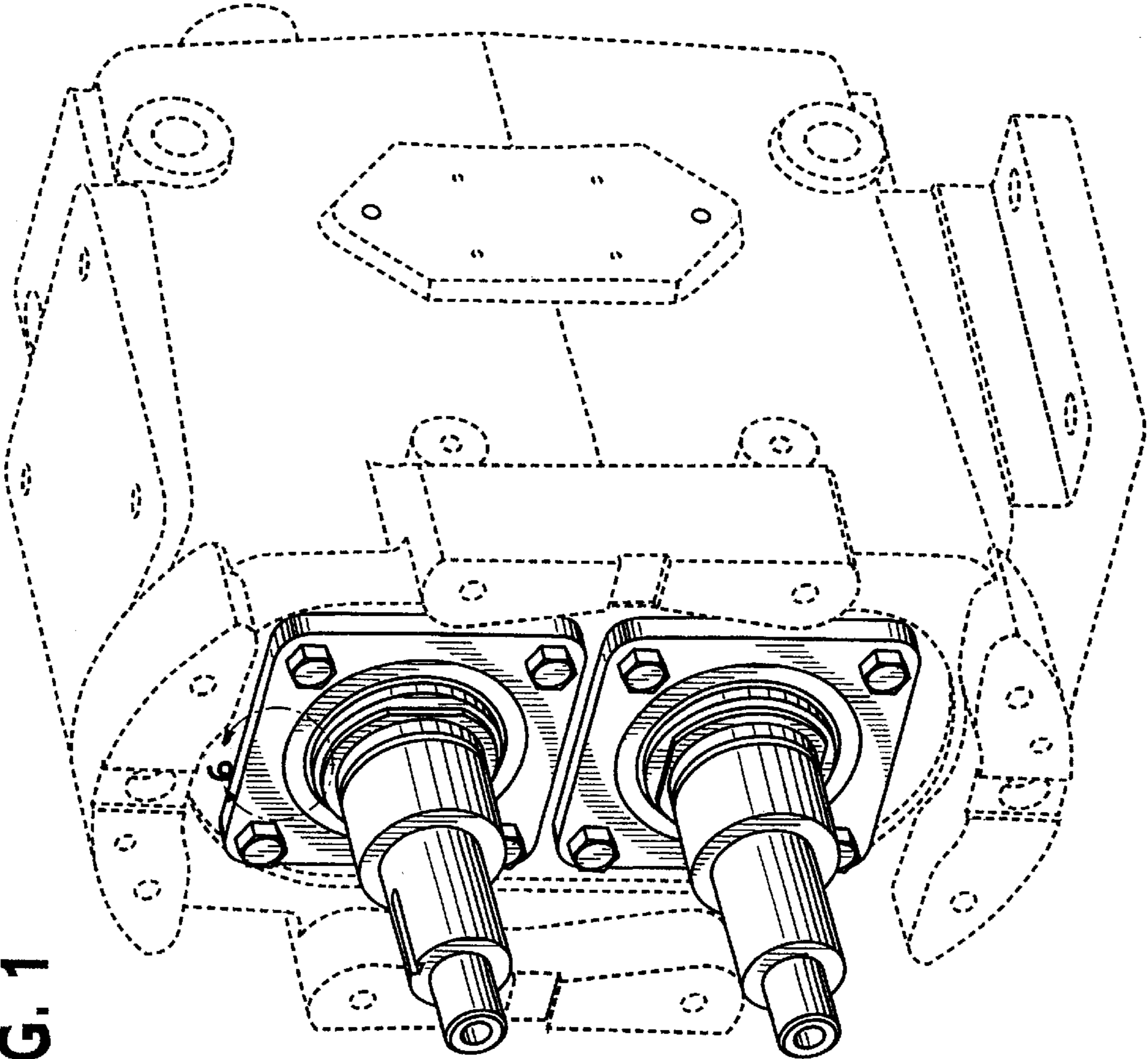
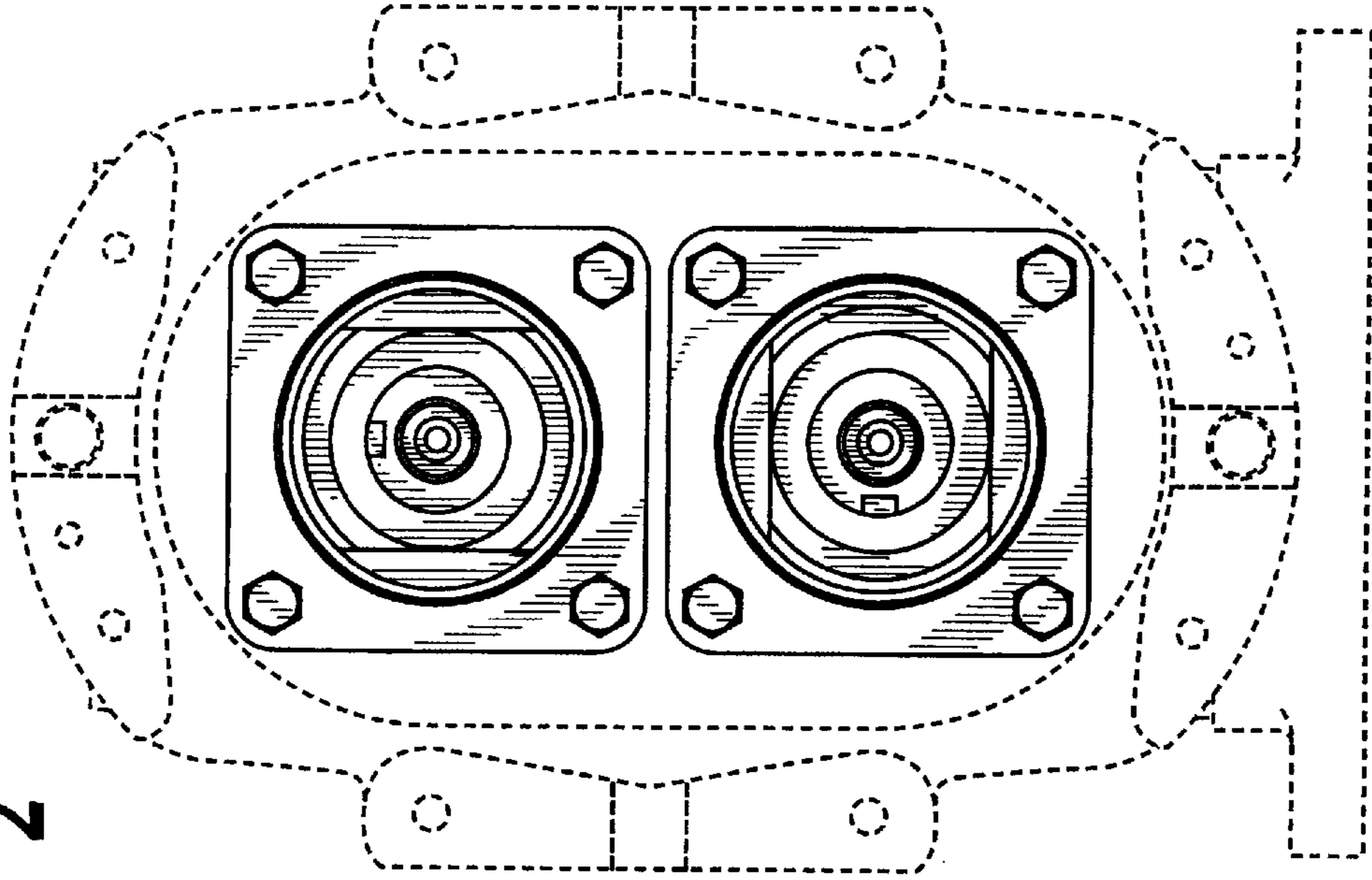
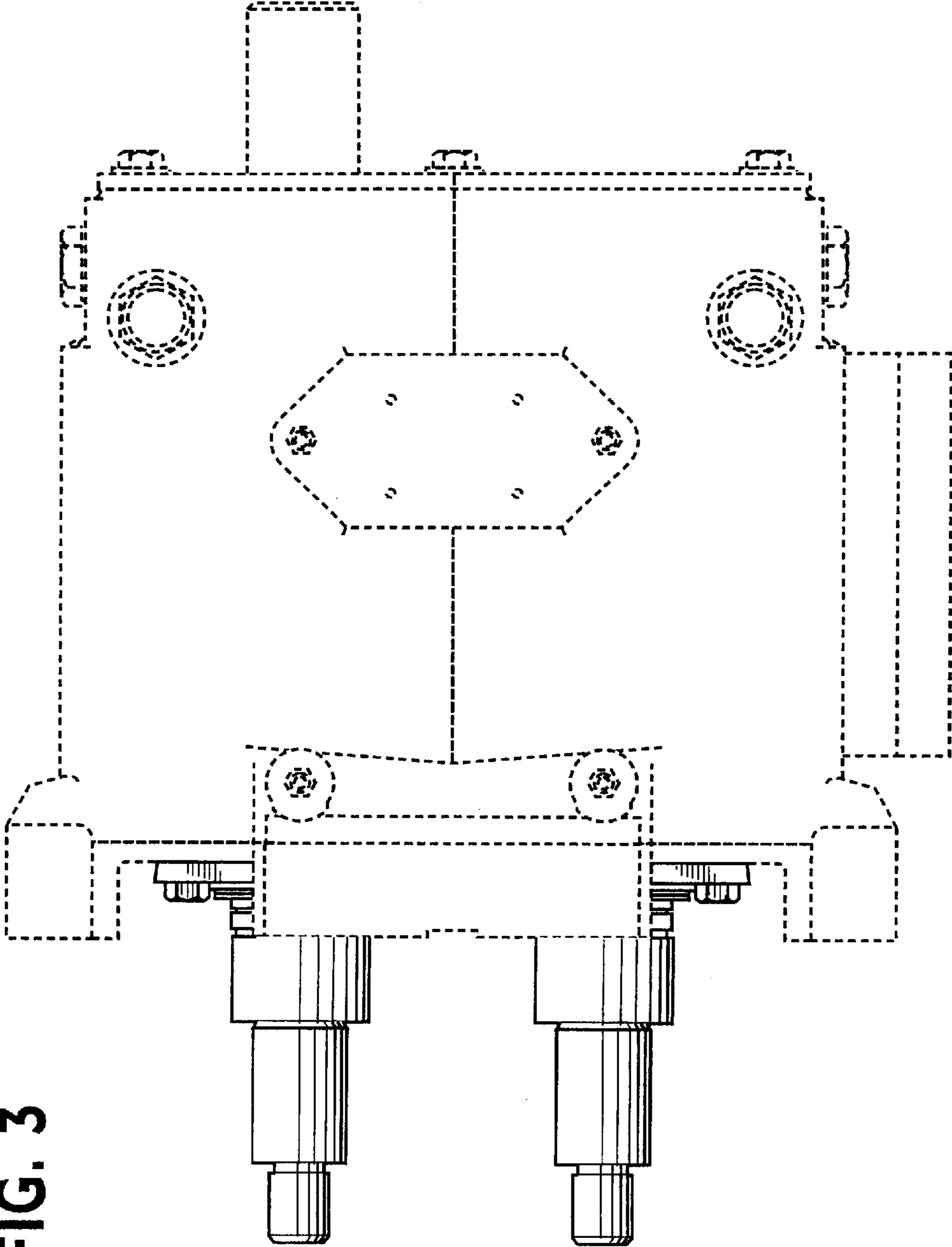


FIG. 1



**FIG. 2**



**FIG. 3**

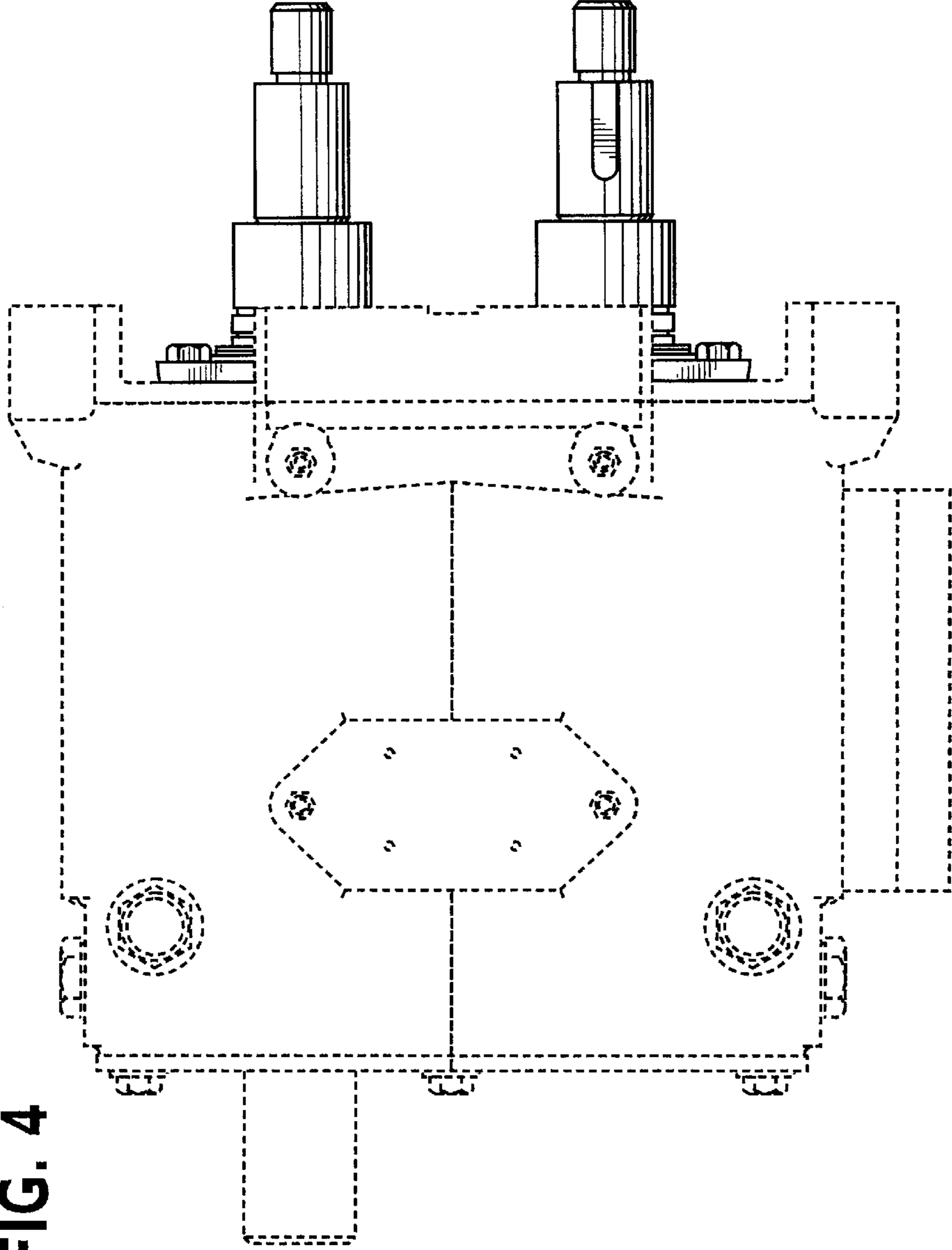
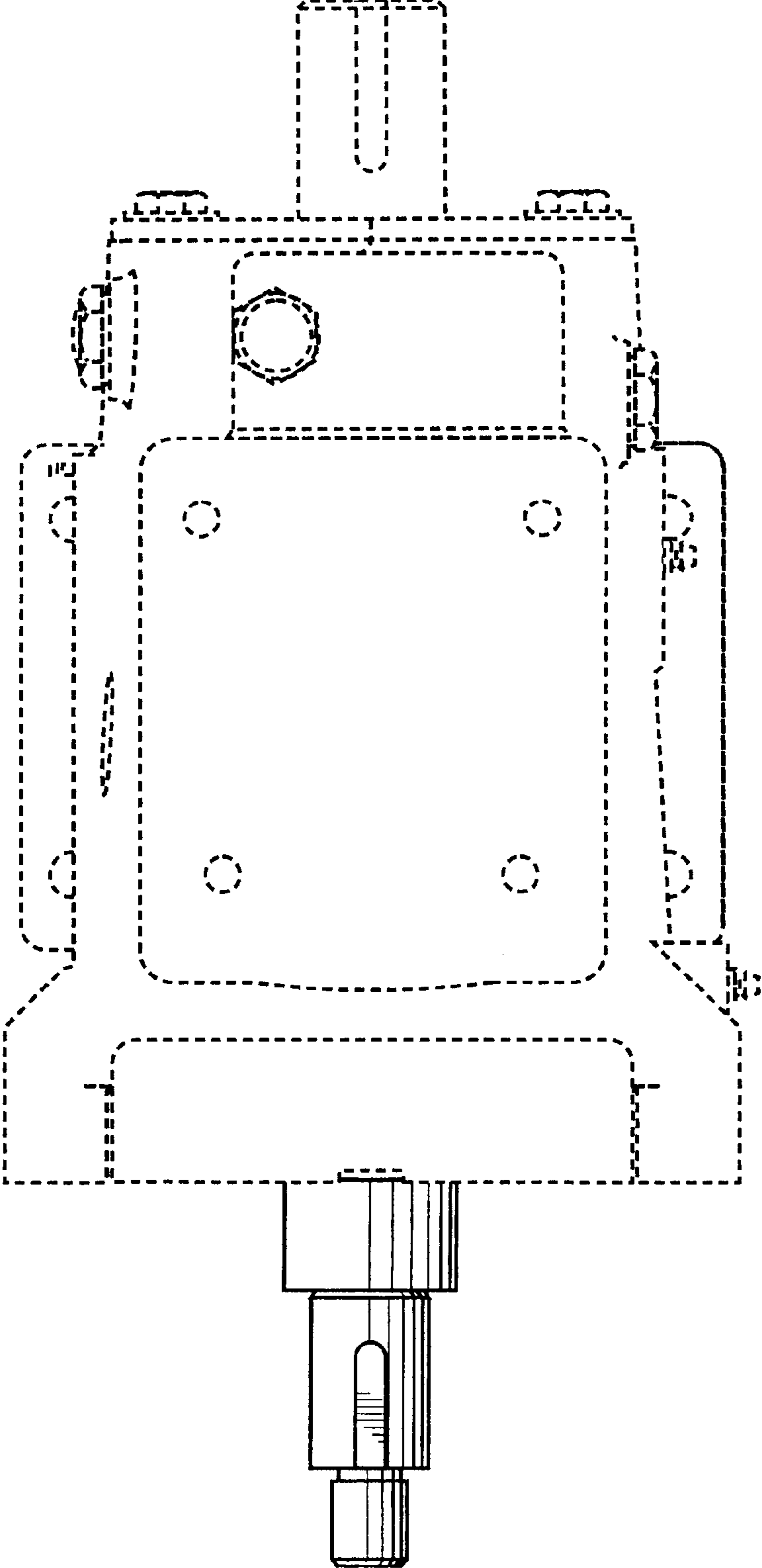


FIG. 4

FIG. 5



**FIG. 6**

