



US00D509225S

(12) **United States Design Patent**
Van Norman

(10) **Patent No.:** **US D509,225 S**
(45) **Date of Patent:** **** Sep. 6, 2005**

(54) **COMBINED PUMP GEAR BOX BEARING
RETAINERS AND DRIVE SHAFTS**

D427,218 S * 6/2000 Jordan D15/149
6,125,717 A * 10/2000 Phillips 74/606 R
D453,939 S * 2/2002 Ochiai D15/9

(75) Inventor: **Drew J. Van Norman**, Whitewater, WI
(US)

* cited by examiner

(73) Assignee: **SPX Corporation**, Charlotte, NC (US)

Primary Examiner—Ralf Seifert

(**) Term: **14 Years**

(74) *Attorney, Agent, or Firm*—Baker & Hostetler LLP

(21) Appl. No.: **29/205,005**

(57) **CLAIM**

(22) Filed: **May 10, 2004**

The ornamental design for combined pump gear box bearing retainers and drive shafts, as shown and described.

(51) **LOC (8) Cl.** **15-02**

DESCRIPTION

(52) **U.S. Cl.** **D15/7**

(58) **Field of Search** D15/7-9; 417/321,
417/410, 413.1, 415, 423.3, 486, 521, 534;
415/148

FIG. 1 is a perspective view of the combined pump gear box bearing retainers and drive shafts, particularly showing the inventive design thereof;

FIG. 2 is a front view thereof;

FIG. 3 is a right side view thereof;

FIG. 4 is a left side view thereof;

FIG. 5 is a top view thereof; and,

FIG. 6 is a detail view of FIG. 1.

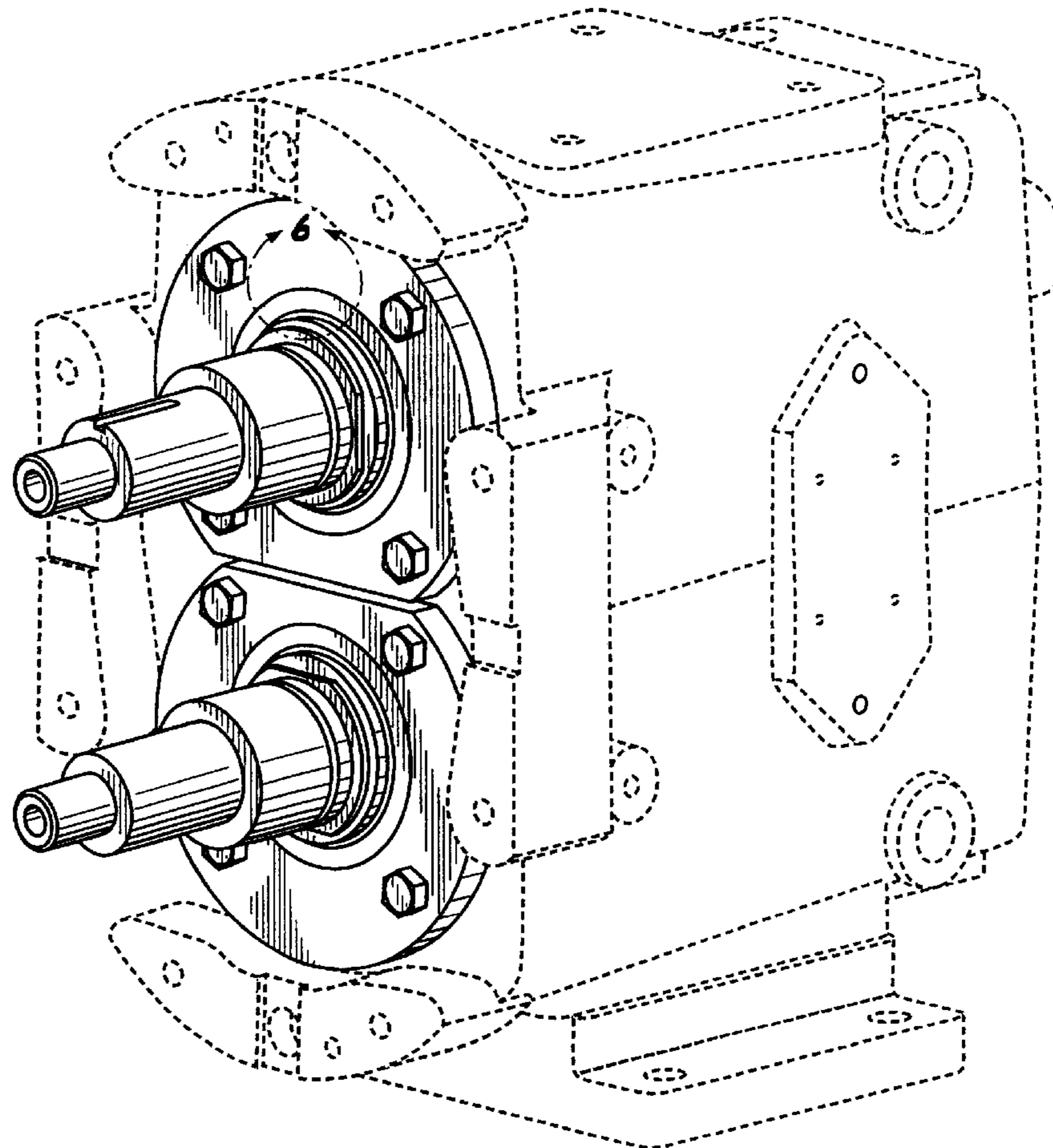
It being understood that the broken lines are for illustrative purposes only and form no part of the claimed design.

(56) **References Cited**

U.S. PATENT DOCUMENTS

5,447,078 A * 9/1995 Robinson et al. 74/606 R
D377,657 S * 1/1997 Winters, Sr. D15/149
D406,596 S * 3/1999 Ziegler et al. D15/148

1 Claim, 6 Drawing Sheets



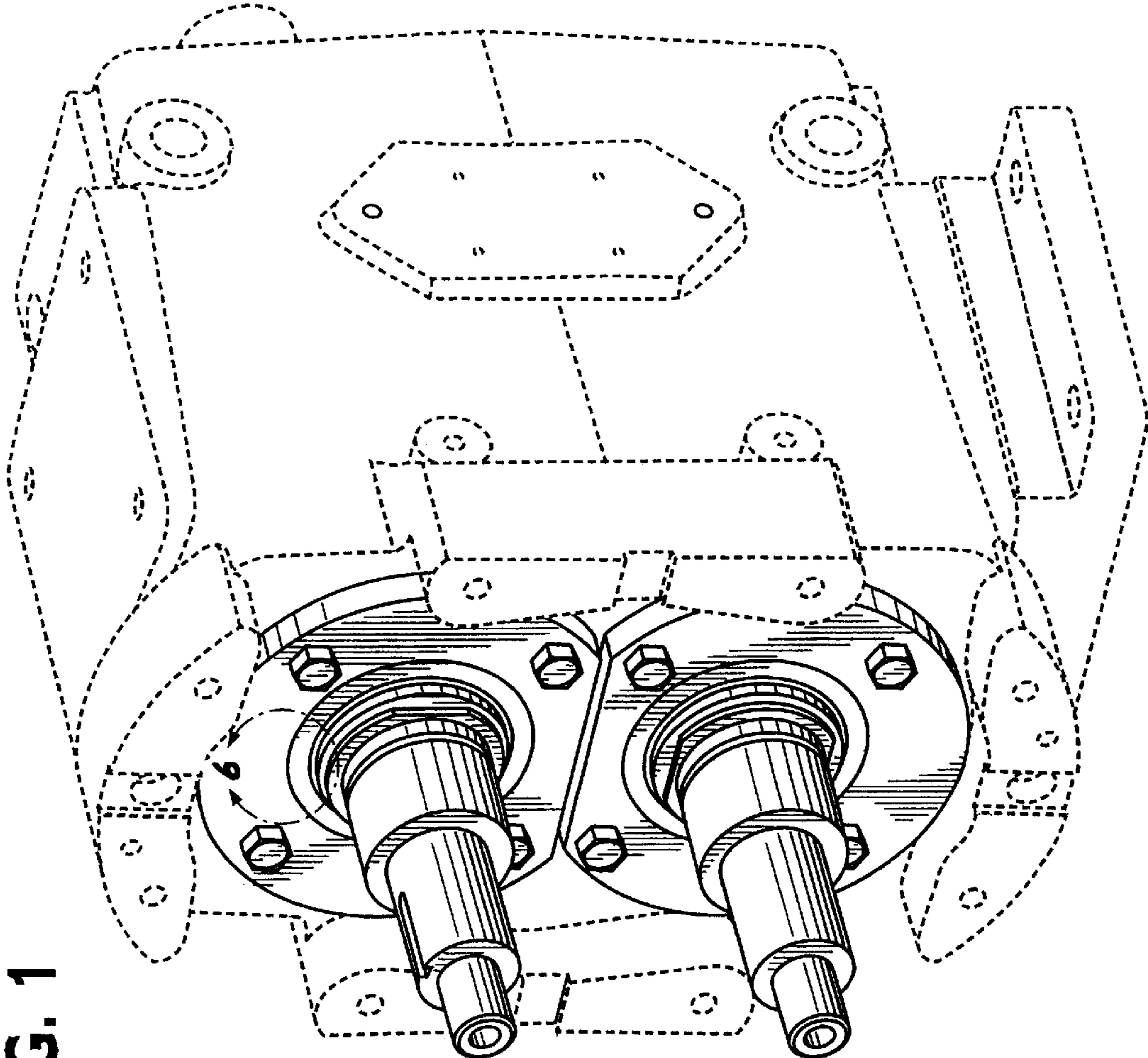


FIG. 1

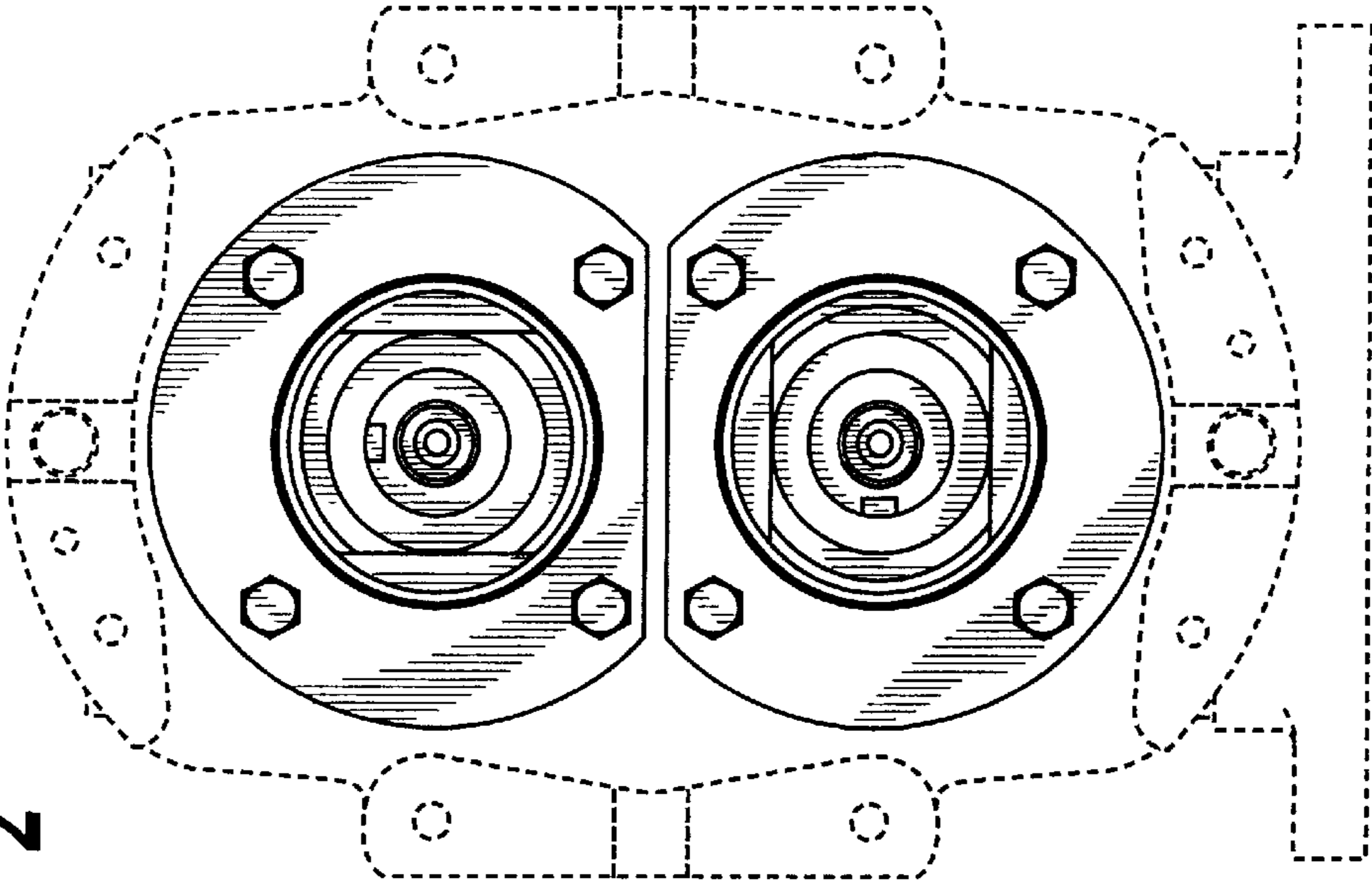


FIG. 2

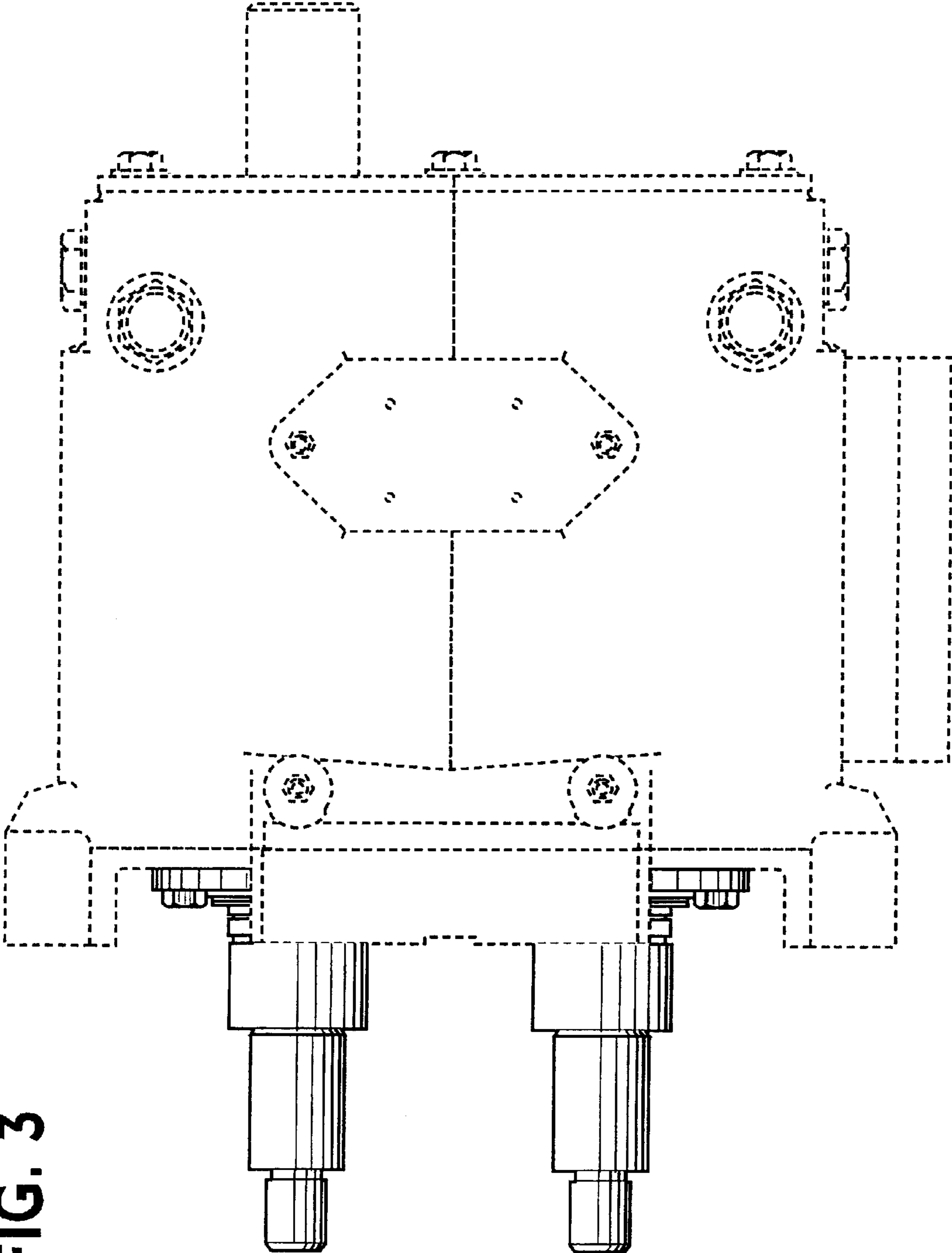


FIG. 3

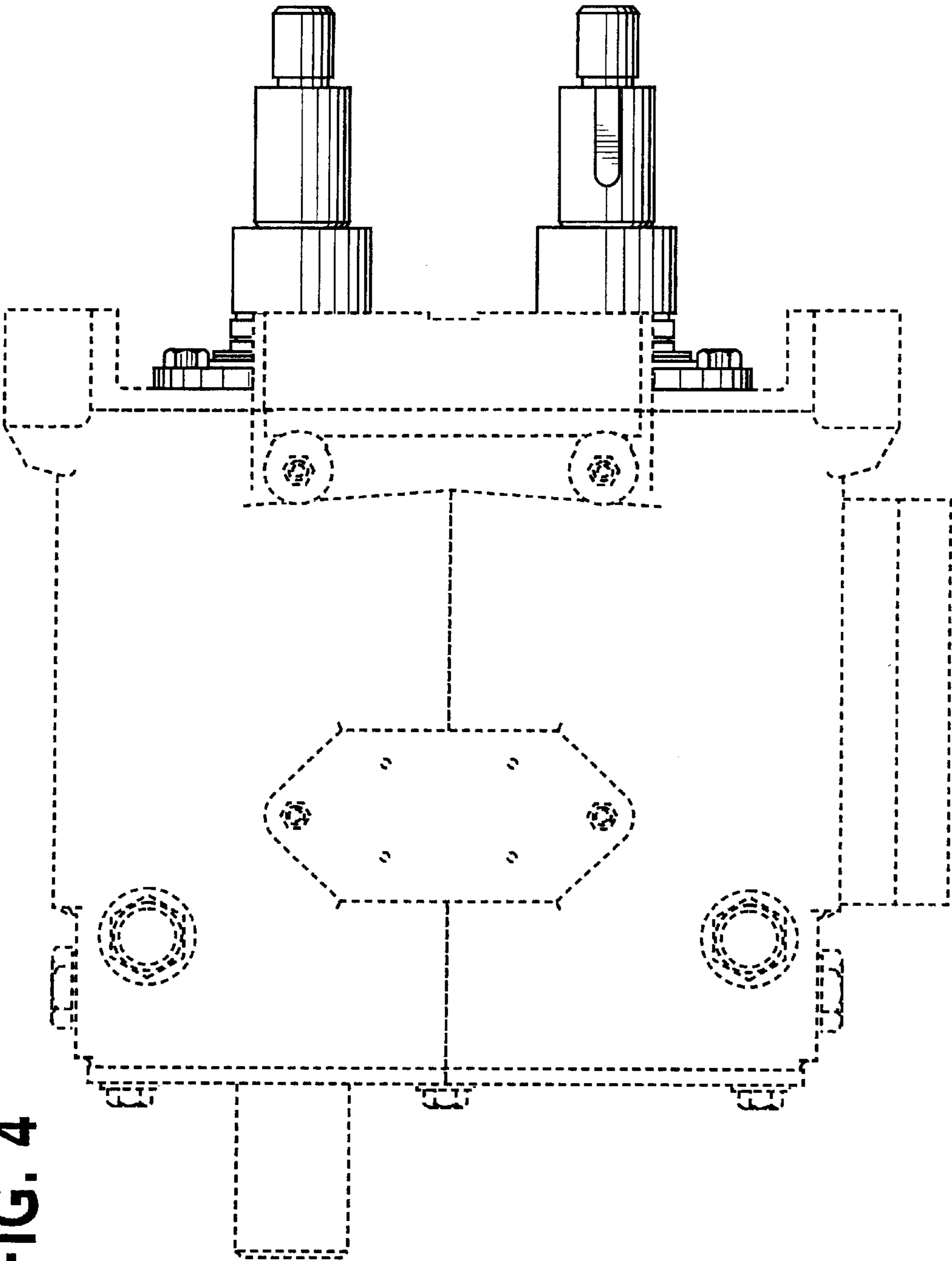


FIG. 4

FIG. 5

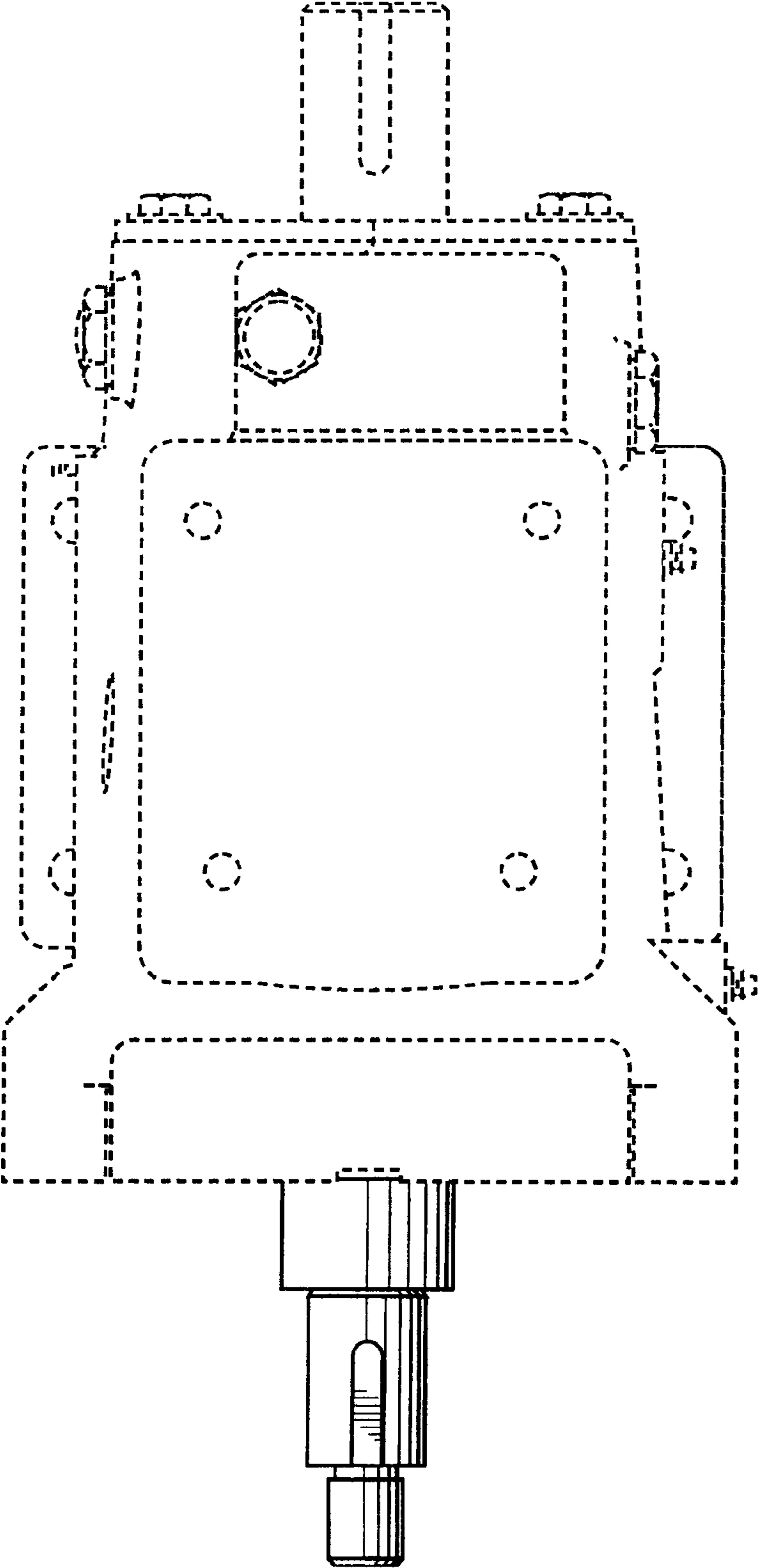


FIG. 6

