

US00D509224S

(12) **United States Design Patent**
Shiota et al.

(10) **Patent No.:** **US D509,224 S**
(45) **Date of Patent:** **** Sep. 6, 2005**

(54) **INTERNAL COMBUSTION ENGINE**

D488,167 S * 4/2004 Momoi D15/1

(75) Inventors: **Katsuyuki Shiota**, Osaka (JP);
Masashi Sagara, Osaka (JP)

(73) Assignee: **Yanmar Co., Ltd.**, Osaka (JP)

(**) Term: **14 Years**

(21) Appl. No.: **29/212,736**

(22) Filed: **Sep. 8, 2004**

(30) **Foreign Application Priority Data**

Aug. 6, 2004 (JP) 2004-023809

(51) **LOC (8) Cl.** **15-01**

(52) **U.S. Cl.** **D15/1**

(58) **Field of Search** D15/1, 3

(56) **References Cited**

U.S. PATENT DOCUMENTS

D293,114 S	*	12/1987	Brogdon	D15/1
D294,832 S	*	3/1988	Itou et al.	D15/1
D307,147 S	*	4/1990	Sasaki et al.	D15/1
D307,148 S	*	4/1990	Mikado	D15/1
D353,381 S	*	12/1994	Yoshida et al.	D15/1
D367,070 S	*	2/1996	Maeda et al.	D15/1
D396,045 S	*	7/1998	Neeley	D15/1
D396,476 S	*	7/1998	Shimizu	D15/1
D474,783 S	*	5/2003	Momoi	D15/1

OTHER PUBLICATIONS

U.S. Appl. No. 29/202,905, filed Apr. 7, 2004, Miyasak et al.
U.S. Appl. No. 29/213,917, filed Sep. 27, 2004, Miyazaki et al.

* cited by examiner

Primary Examiner—Joel Sincavage
Assistant Examiner—Maurice Stevens

(74) *Attorney, Agent, or Firm*—Sterne, Kessler, Goldstein & Fox, PLLC

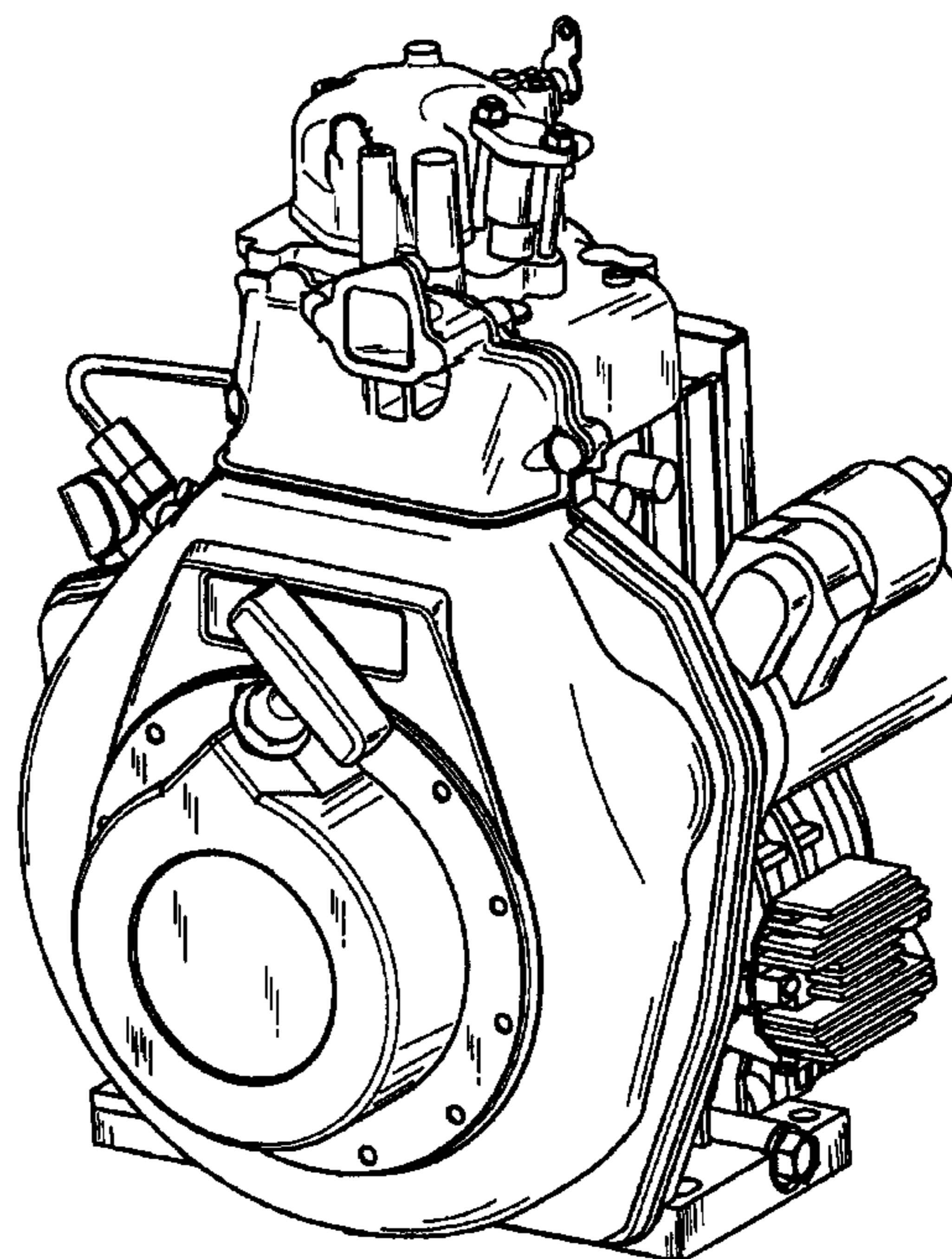
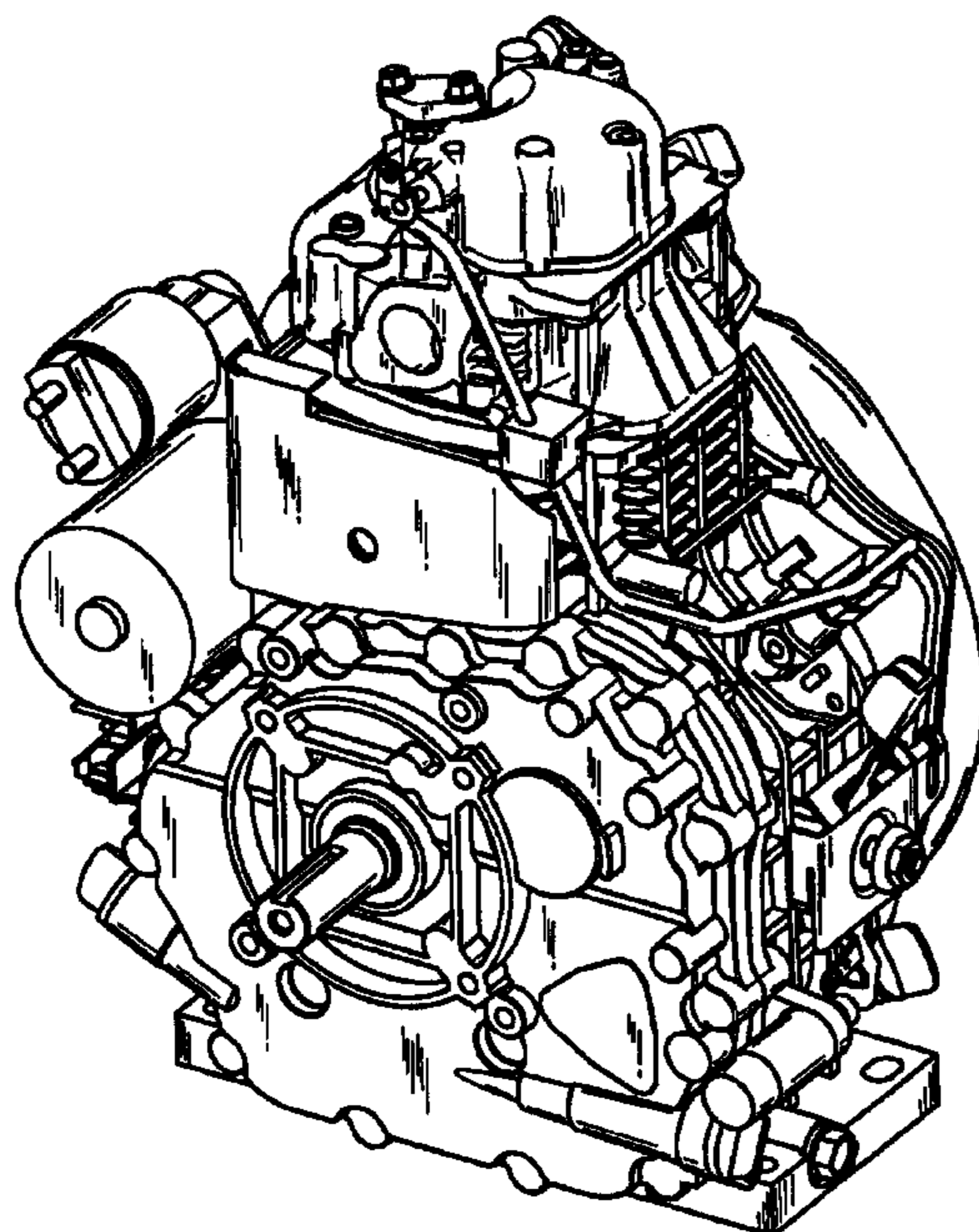
(57) **CLAIM**

The ornamental design for an internal combustion engine, as shown and described.

DESCRIPTION

FIG. 1 is a left side perspective view of an internal combustion engine showing a new design; FIG. 2 is a right side perspective view thereof; FIG. 3 is a left side elevational view thereof; FIG. 4 is a right side elevational view thereof; FIG. 5 is a front elevational view thereof; FIG. 6 is a rear elevational view thereof; FIG. 7 is a top plan view thereof; and, FIG. 8 is a bottom plan view thereof.

1 Claim, 8 Drawing Sheets



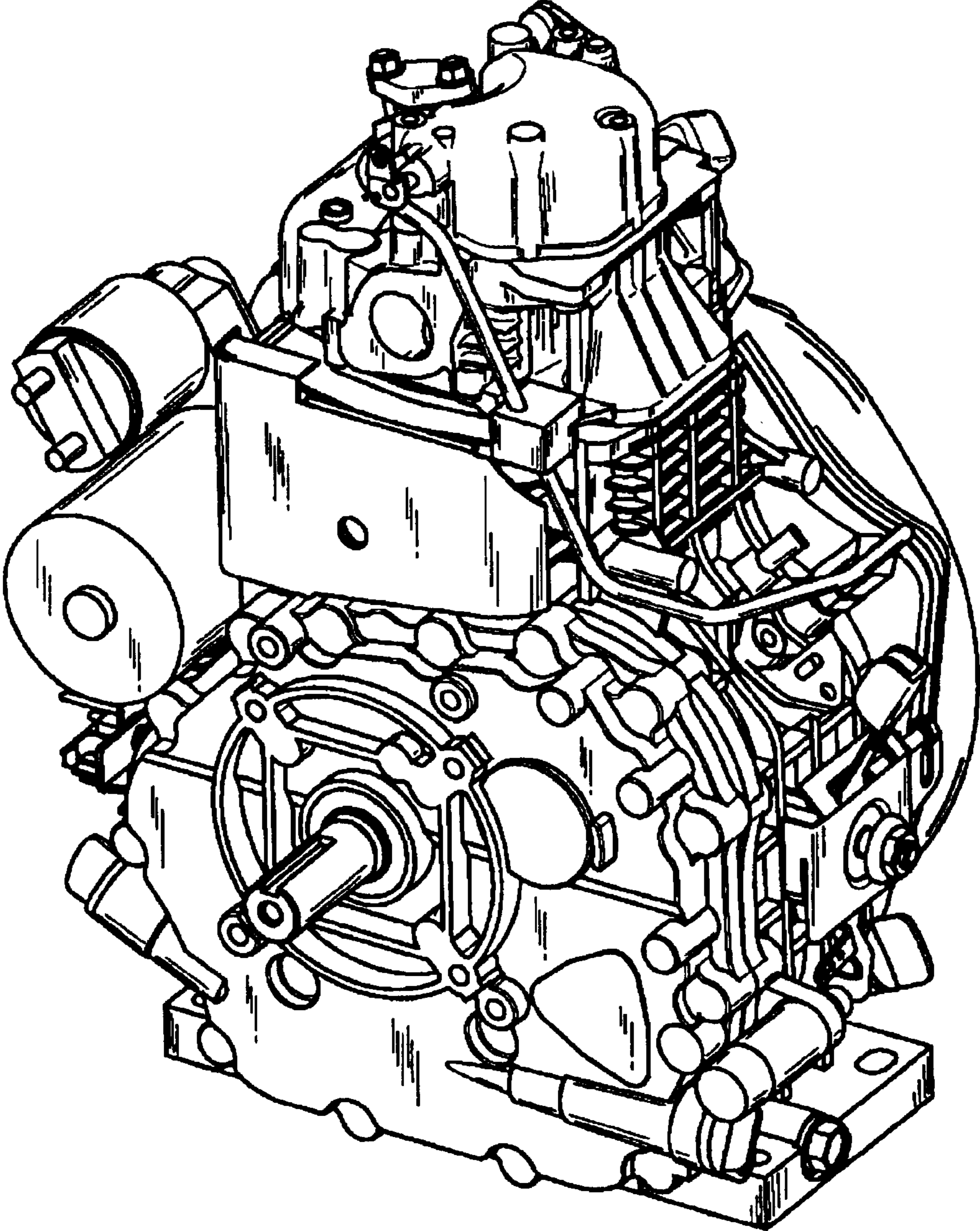


FIG. 1

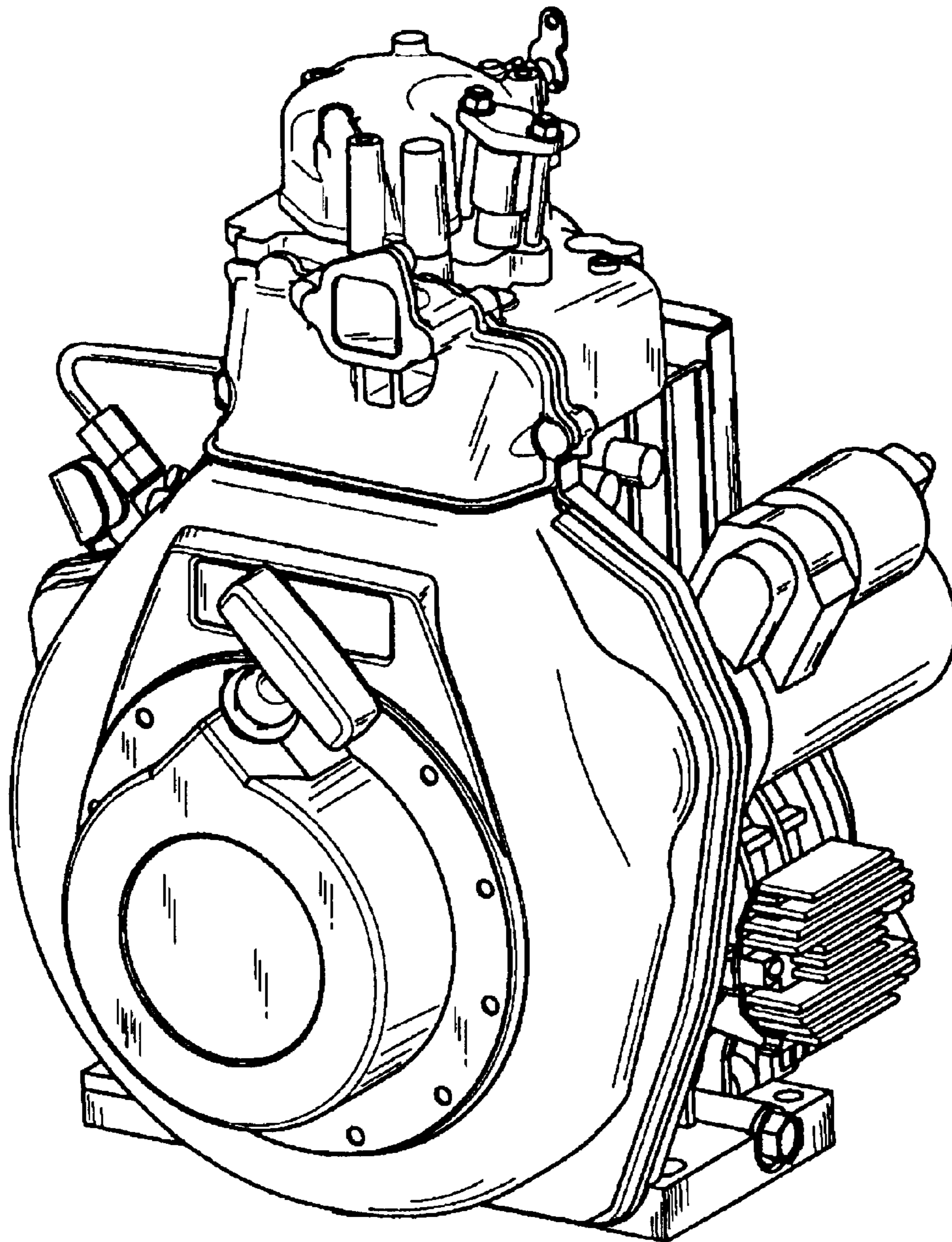


FIG. 2

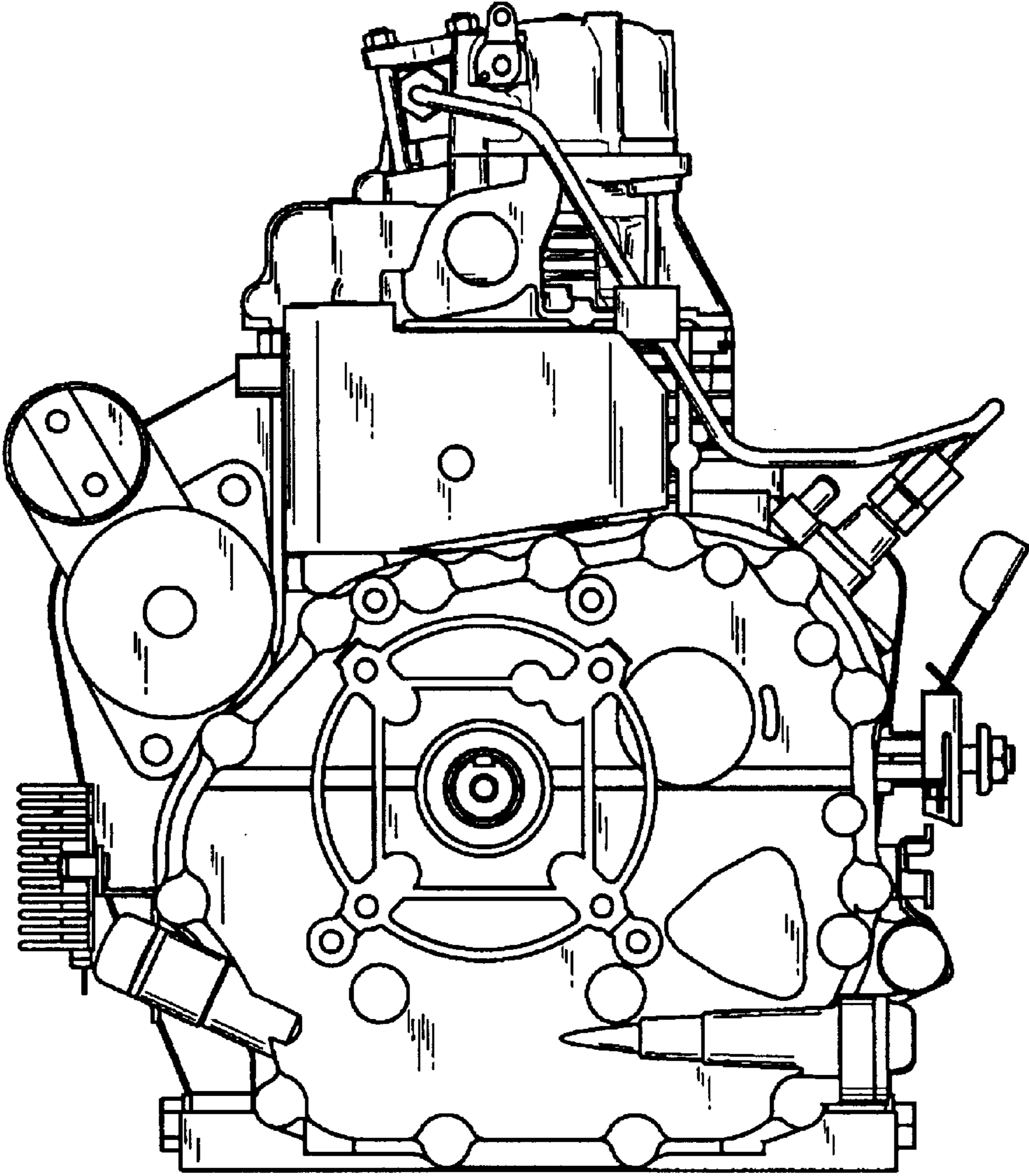


FIG. 3

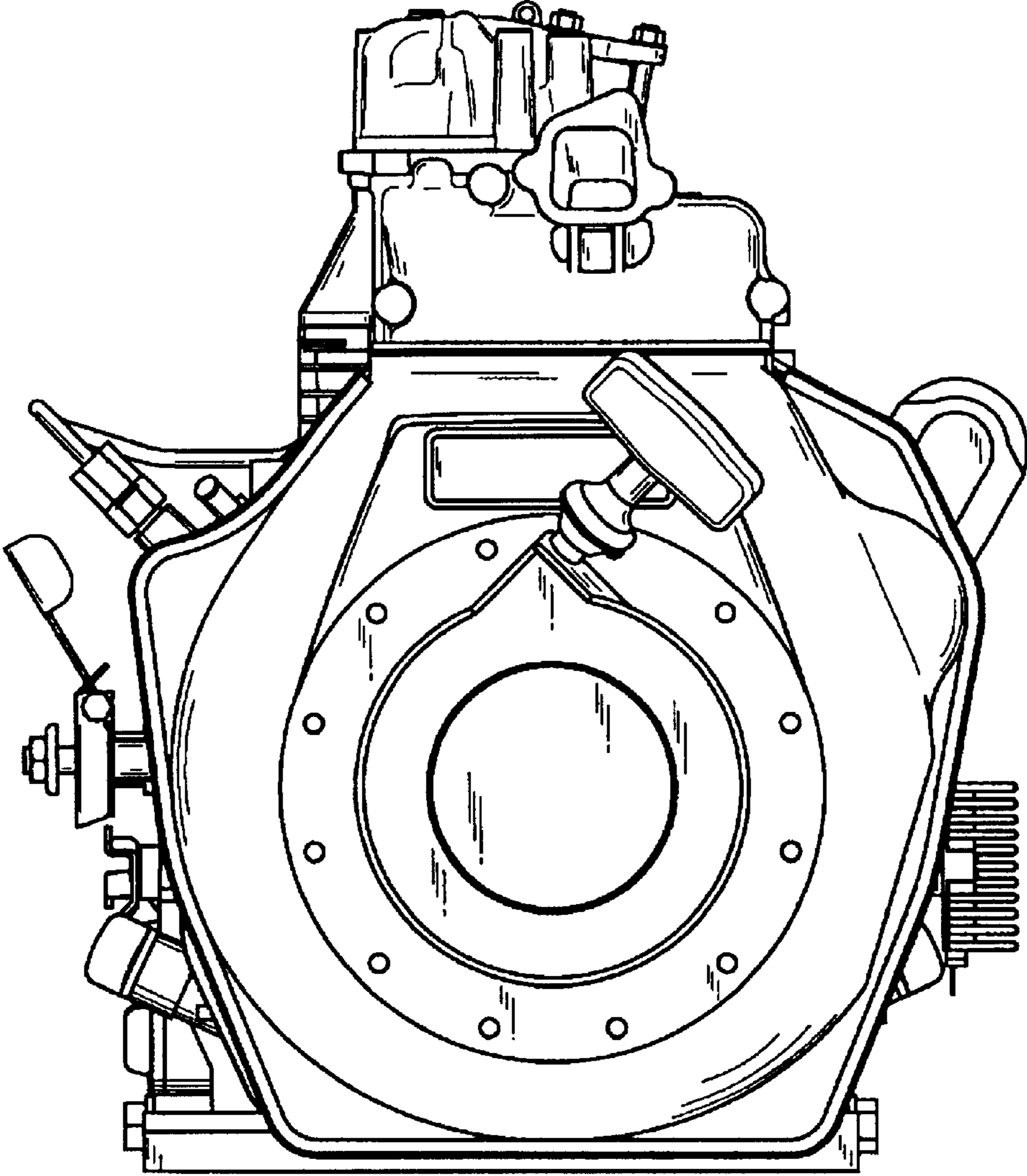


FIG. 4

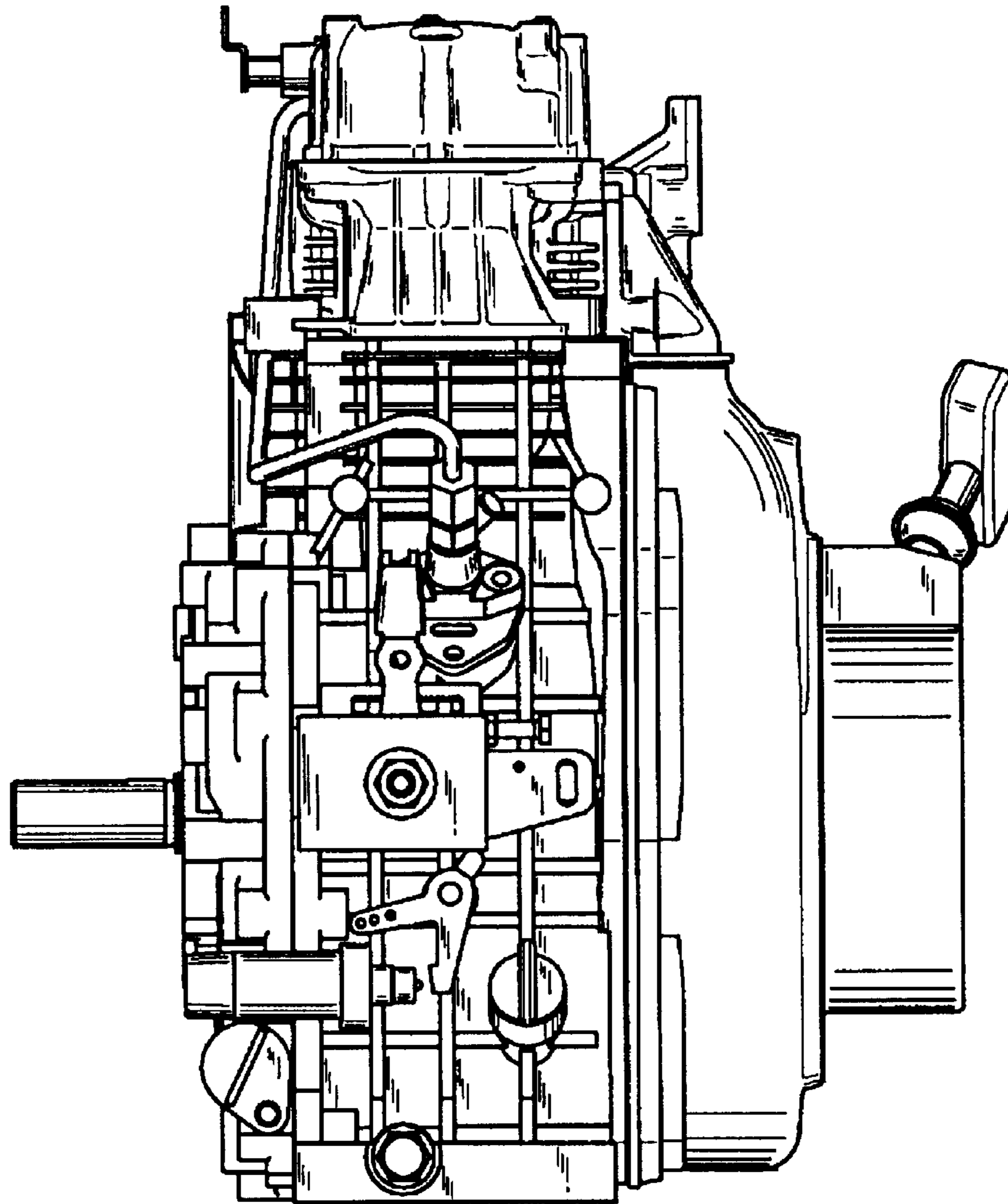


FIG. 5

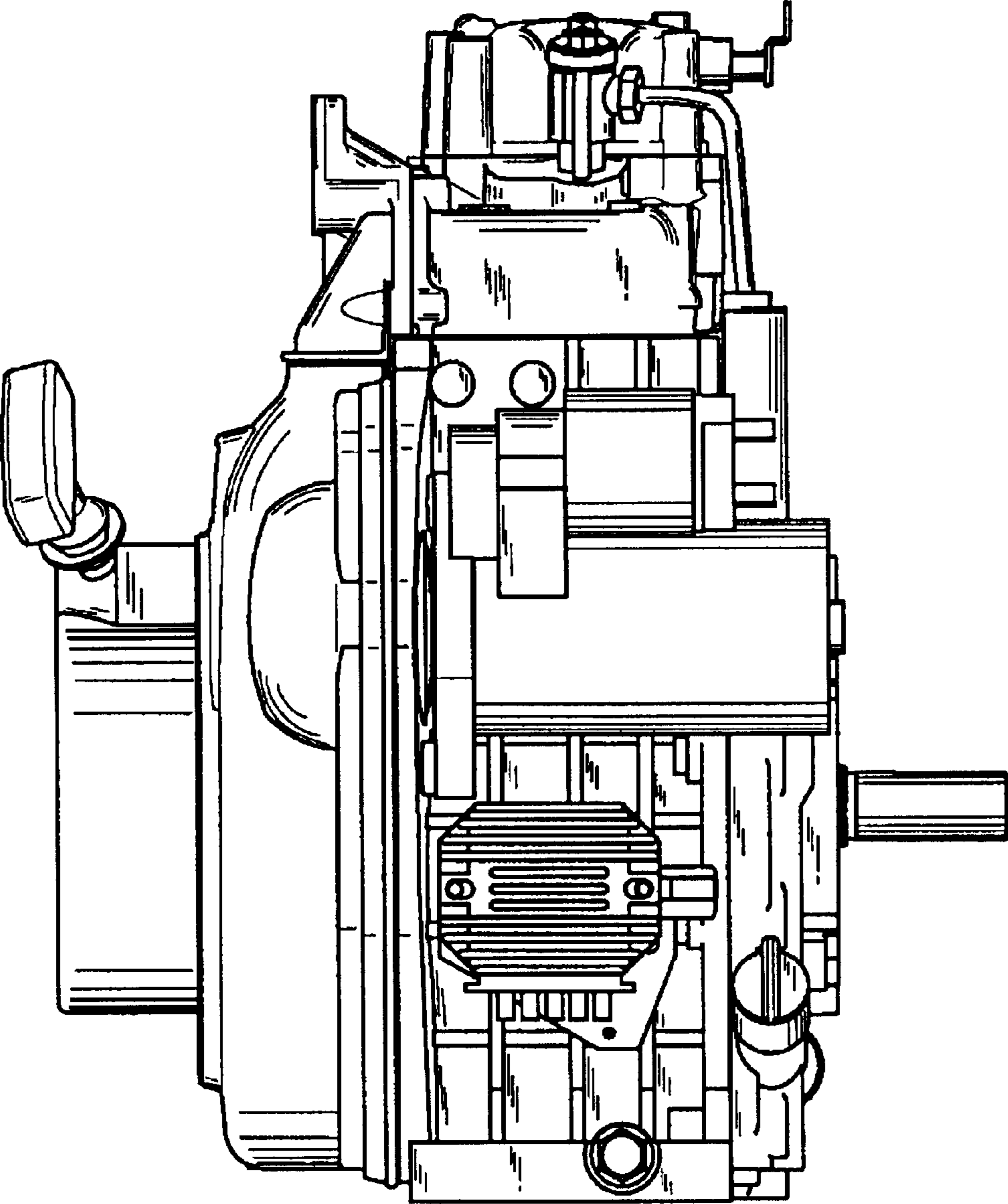


FIG. 6

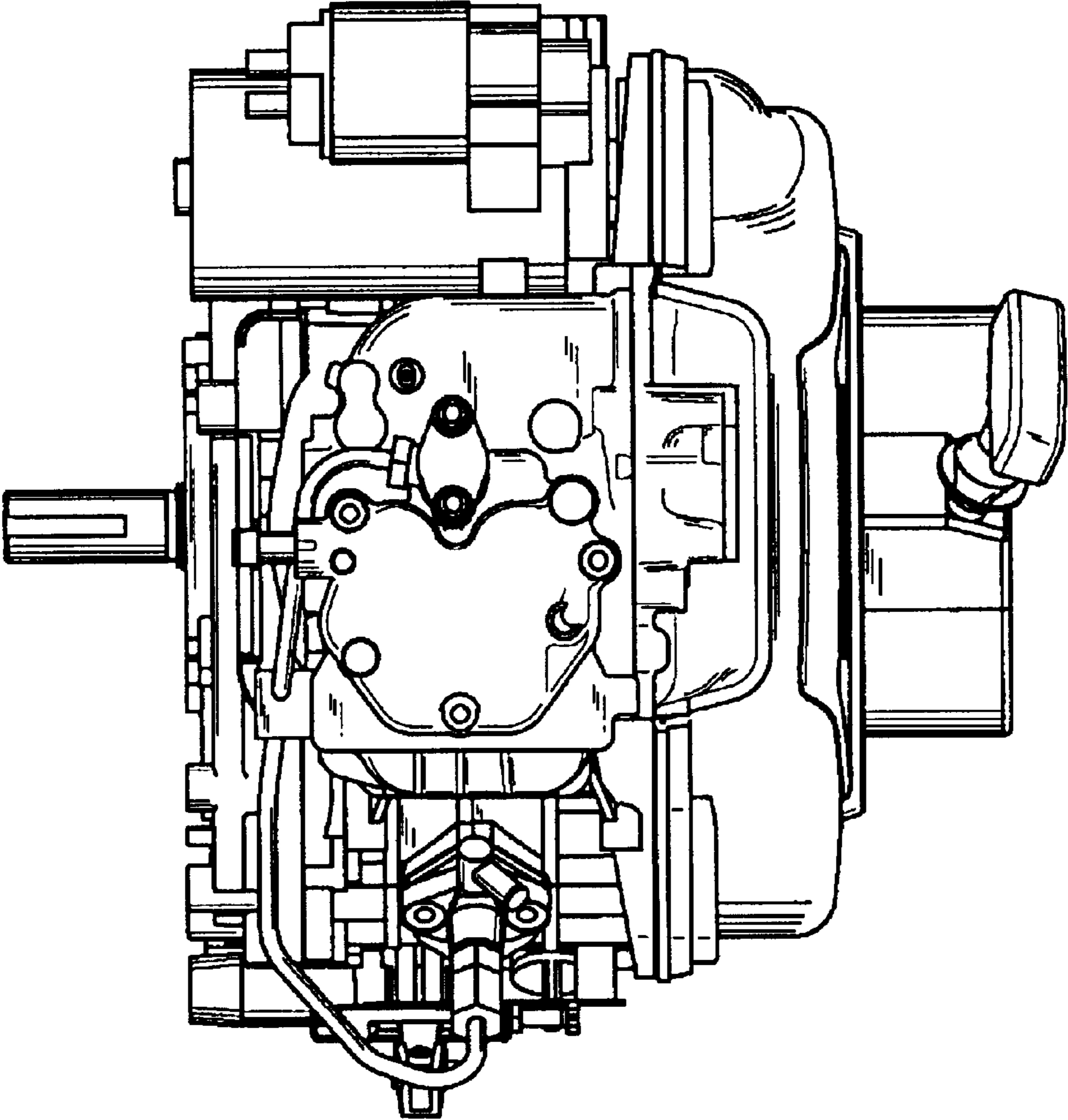


FIG. 7

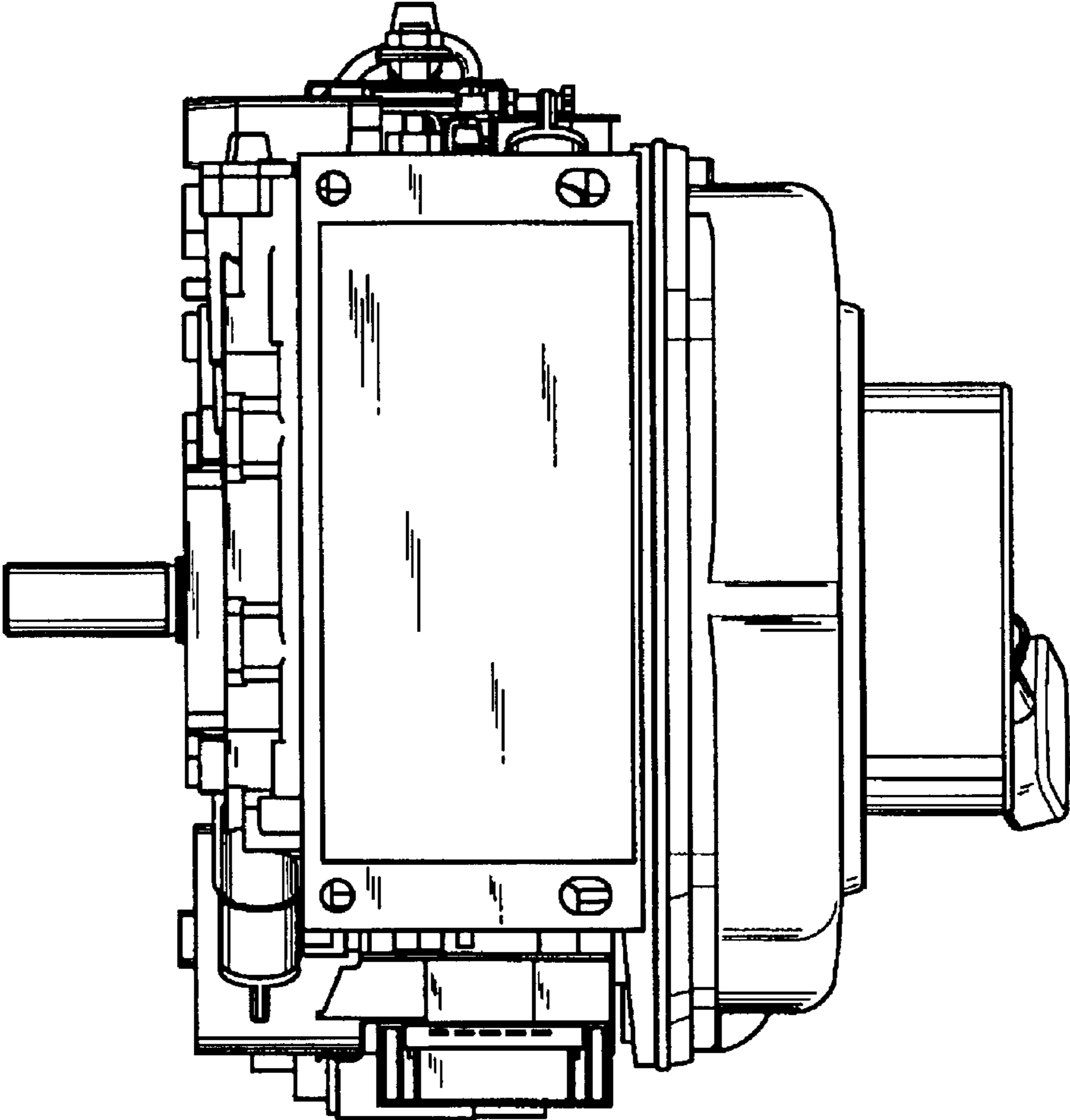


FIG. 8