

US00D509223S

(12) **United States Design Patent**  
Steele et al.

(10) **Patent No.:** **US D509,223 S**  
(45) **Date of Patent:** **\*\* Sep. 6, 2005**

(54) **DESKTOP HOME KARAOKE SYSTEM**

(75) Inventors: **Edward Steele**, Coconut Creek, FL (US); **John David Steele**, Coconut Creek, FL (US); **Philip J. D'A. Remedios**, Orlando, FL (US); **Jerry D. Elmore**, Orlando, FL (US); **R. Sean Hägen**, Orlando, FL (US)

(73) Assignee: **The Singing Machine Company**, Coconut Creek, FL (US)

(\*\*) Term: **14 Years**

(21) Appl. No.: **29/196,482**

(22) Filed: **Dec. 29, 2003**

(51) **LOC (8) Cl.** ..... **14-03**

(52) **U.S. Cl.** ..... **D14/496; D14/168**

(58) **Field of Search** ..... D14/496, 129, D14/137, 155, 168, 181, 185, 188, 299; 434/307 A, 307 R, 309, 318; 352/1, 6-10; 84/609-614, 634-638, DIG. 17, DIG. 6; 455/344-351

(56) **References Cited**

**U.S. PATENT DOCUMENTS**

- D331,238 S \* 11/1992 Lewis ..... D14/168
- D379,454 S \* 5/1997 Kruse et al. .... D14/496
- 6,025,553 A \* 2/2000 Lee ..... 84/610
- D423,821 S \* 5/2000 Crump ..... D6/466
- 6,086,380 A \* 7/2000 Chu et al. .... 434/307 A
- 6,328,570 B1 \* 12/2001 Ng ..... 434/307 A

- D461,469 S \* 8/2002 Wang et al. .... D14/299
- D468,718 S \* 1/2003 Cuvelier ..... D14/168
- D469,752 S \* 2/2003 Cuvelier ..... D14/168
- 6,535,269 B2 \* 3/2003 Sherman et al. .... 352/6
- 6,563,038 B2 \* 5/2003 Kikuchi ..... 84/610
- 6,645,067 B1 \* 11/2003 Okita et al. .... 463/7
- 6,661,496 B2 \* 12/2003 Sherman et al. .... 352/6

\* cited by examiner

*Primary Examiner*—Prabhakar Deshmukh

(74) *Attorney, Agent, or Firm*—Dinh & Associates

(57) **CLAIM**

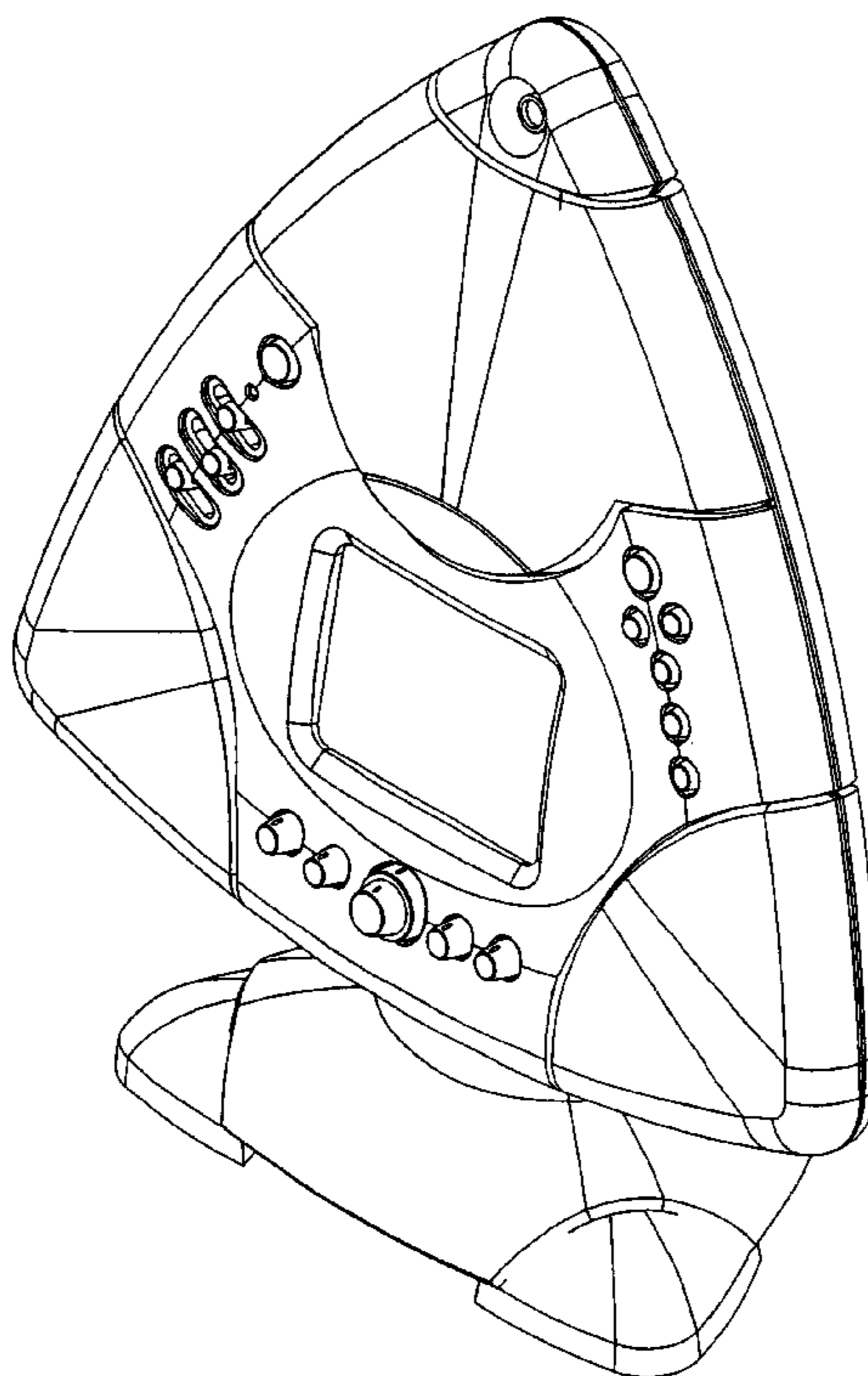
The ornamental design for a desktop home karaoke system, as shown and described.

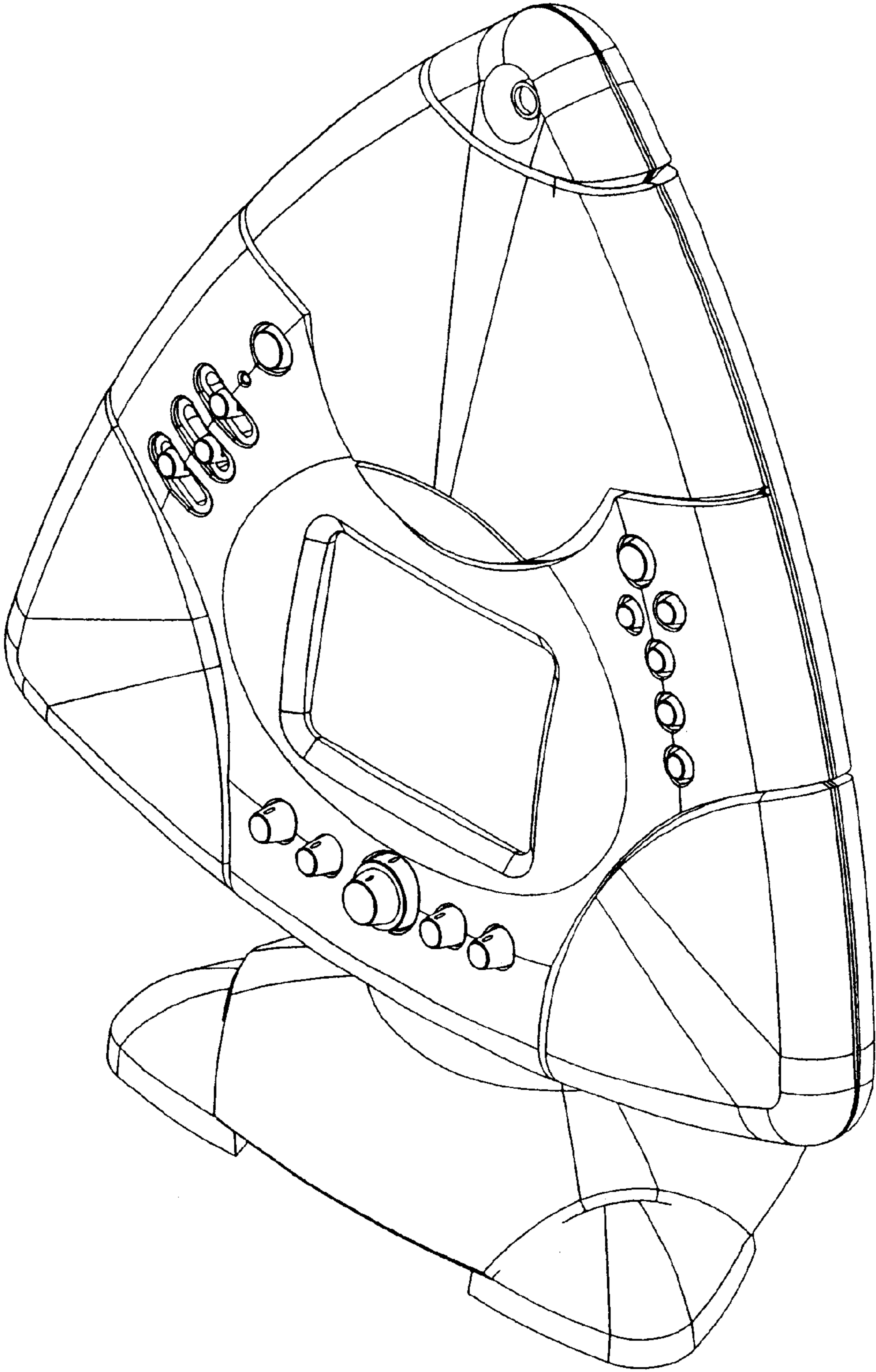
**DESCRIPTION**

FIG. 1 is perspective view of the desktop home karaoke system;  
 FIG. 2 is a front view of the desktop home karaoke system;  
 FIG. 3 is a rear view of the desktop home karaoke system;  
 FIG. 4 is a right side view of the desktop home karaoke system;  
 FIG. 5 is a left side view of the desktop home karaoke system;  
 FIG. 6 is a top view of the desktop home karaoke system;  
 and,  
 FIG. 7 is a bottom view of the desktop home karaoke system.

The broken lines are for illustrative purposes only and form no part of the claimed design.

**1 Claim, 7 Drawing Sheets**





**FIG. 1**

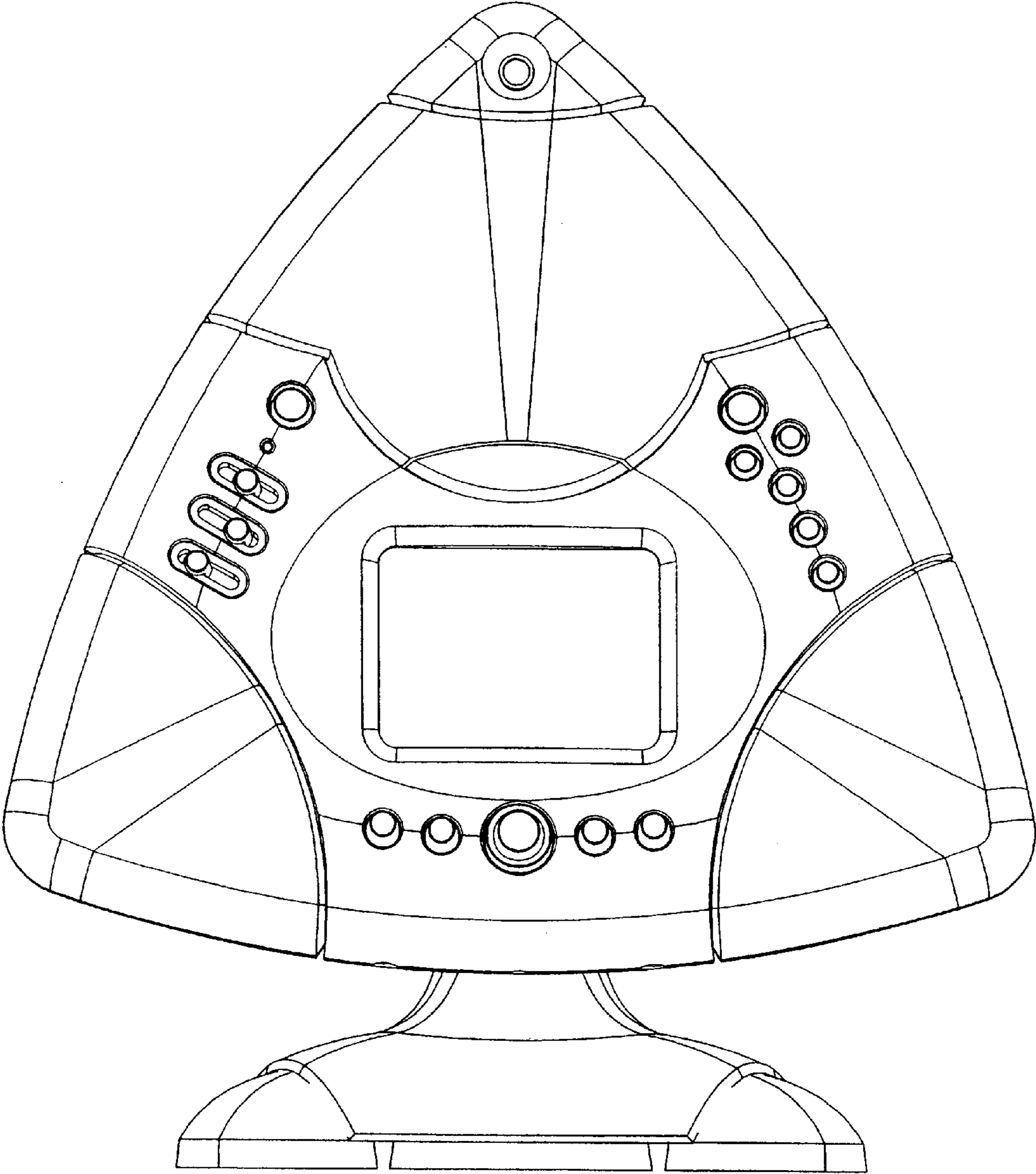
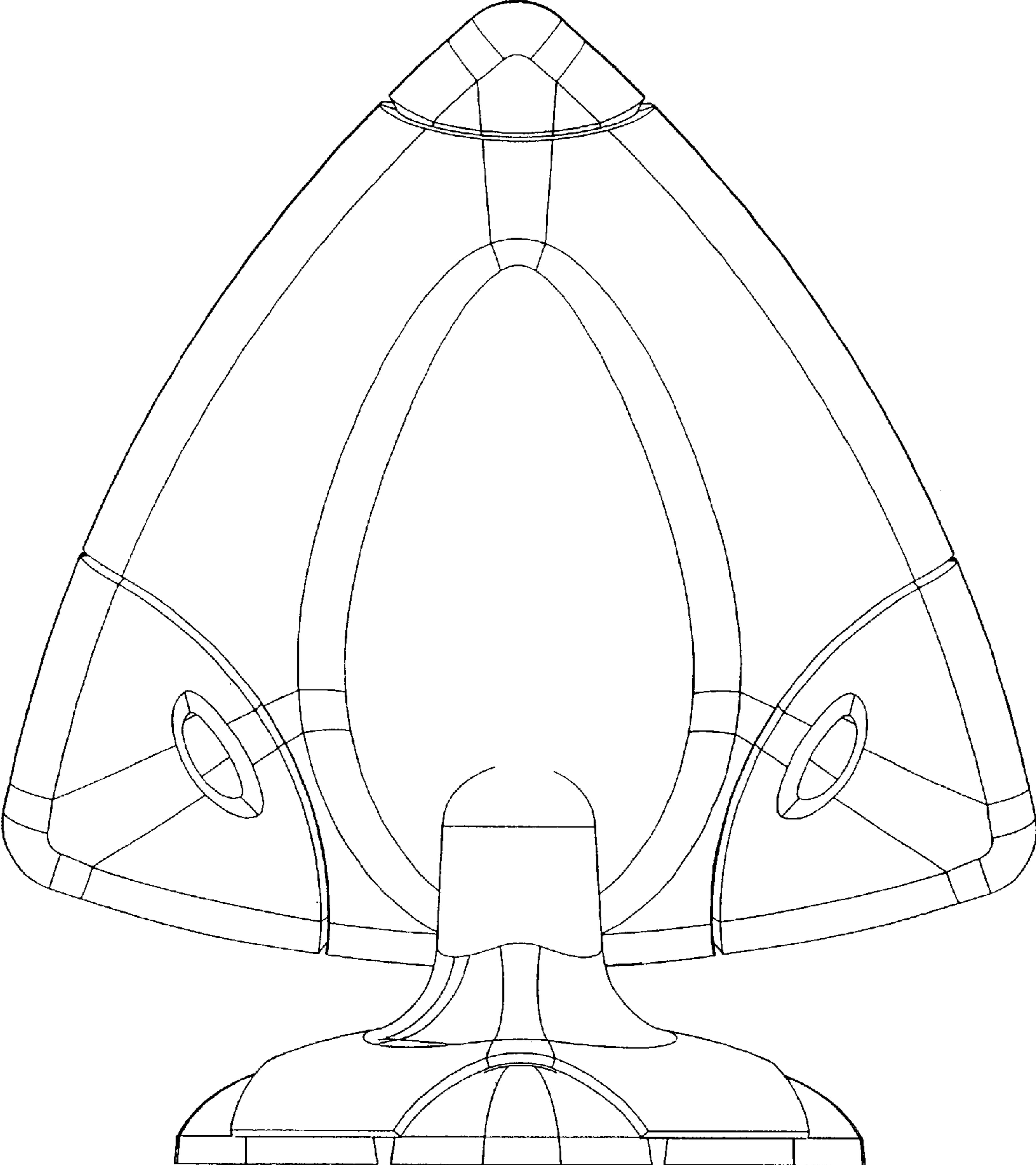
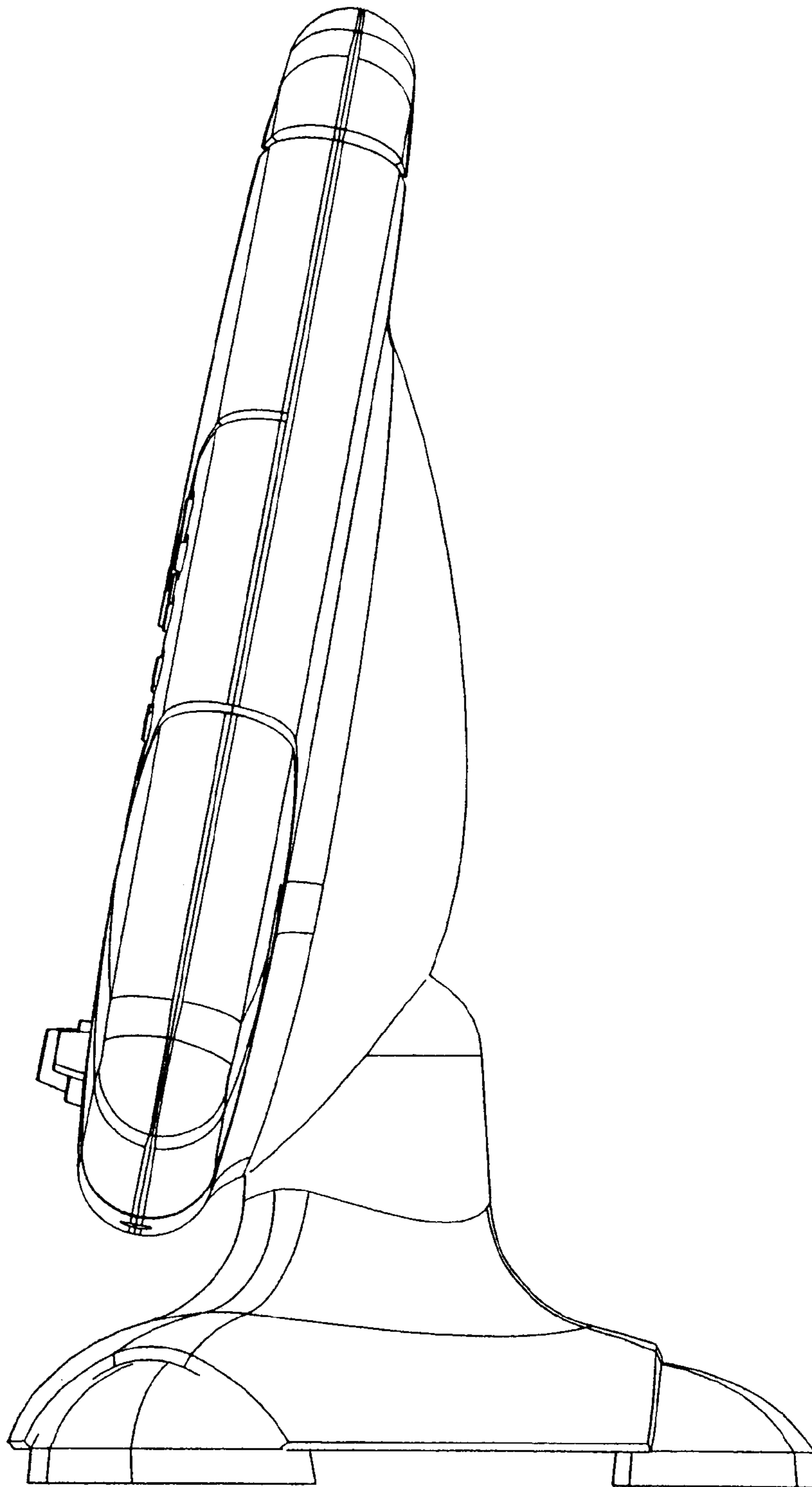


FIG. 2

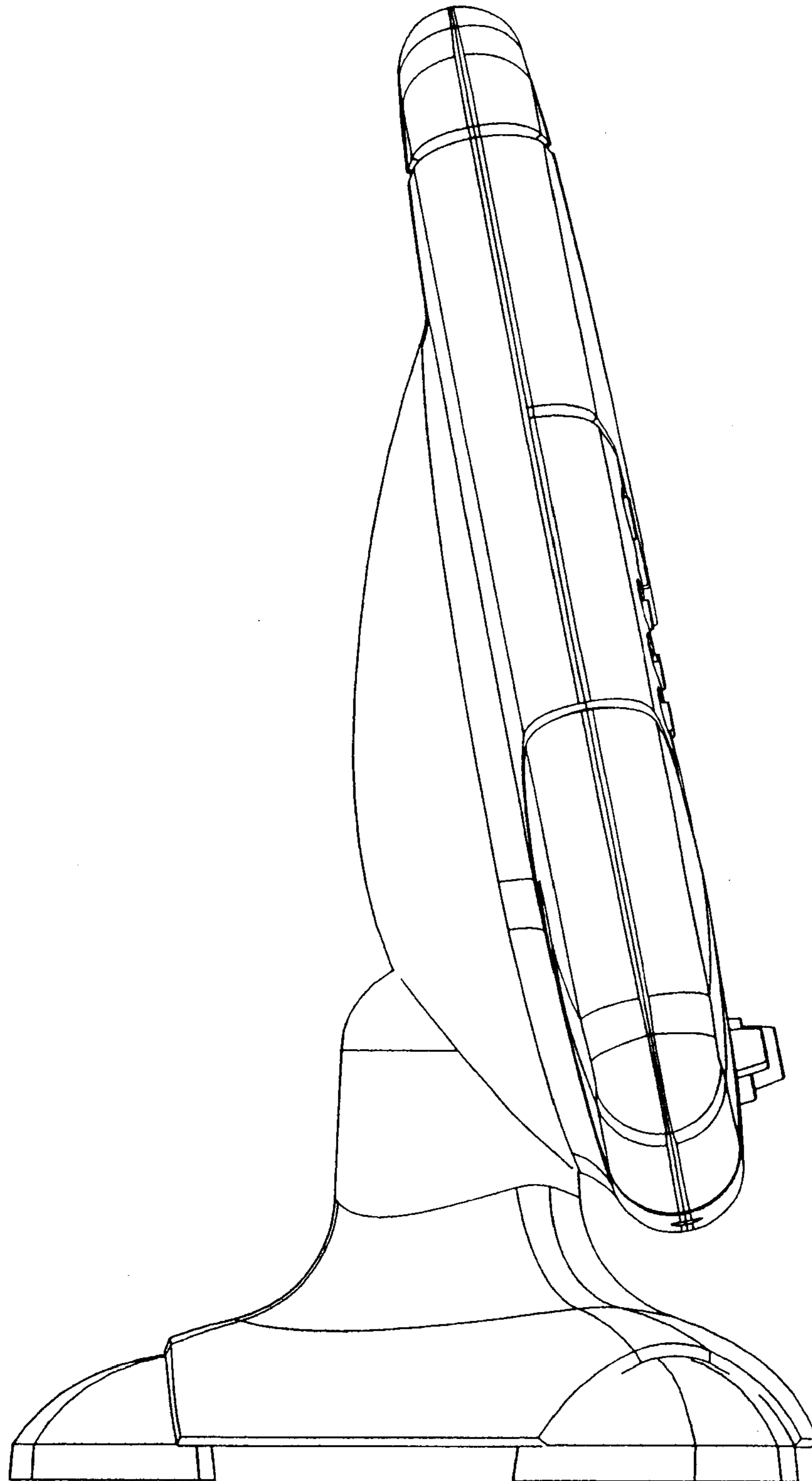


**FIG. 3**

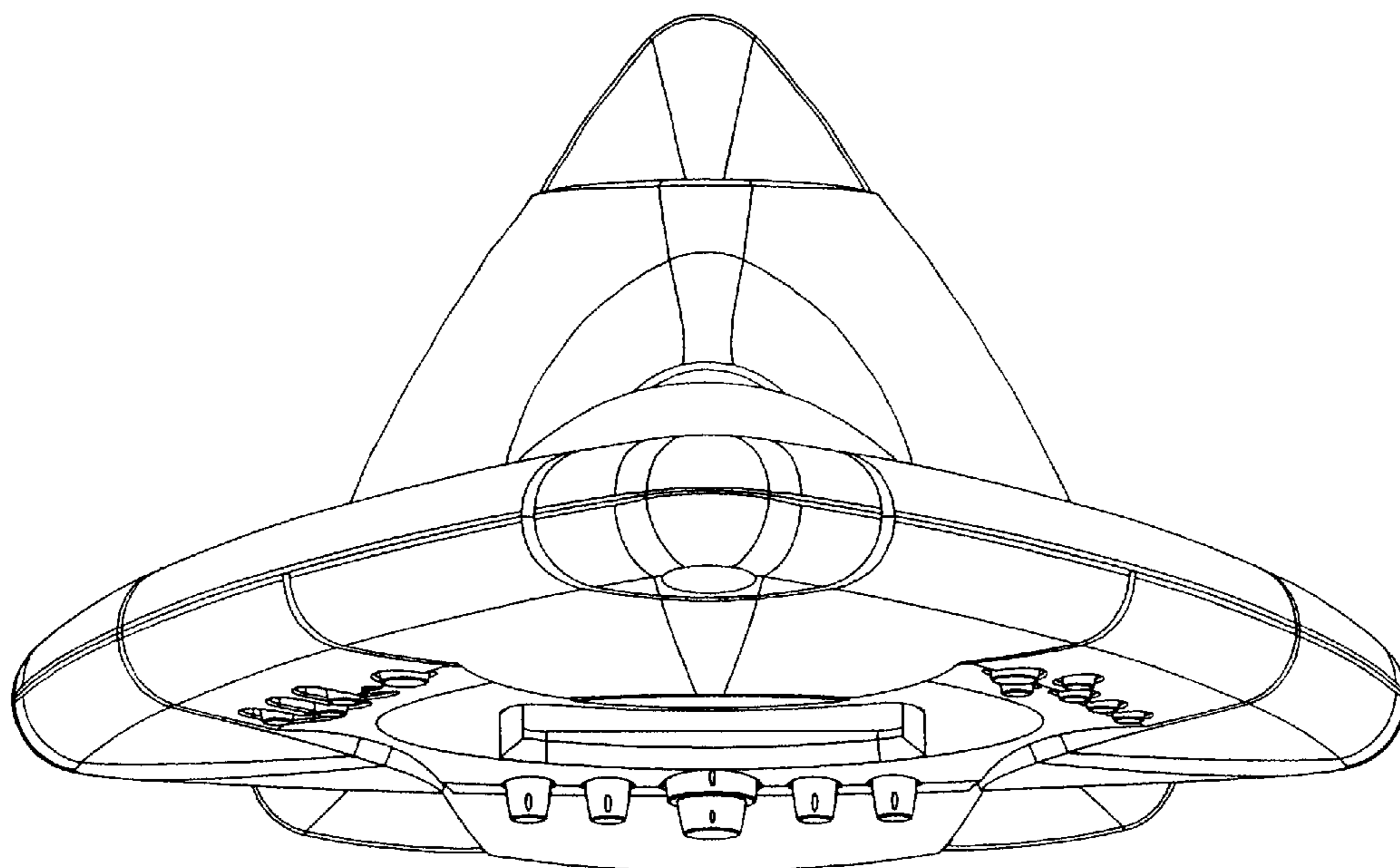




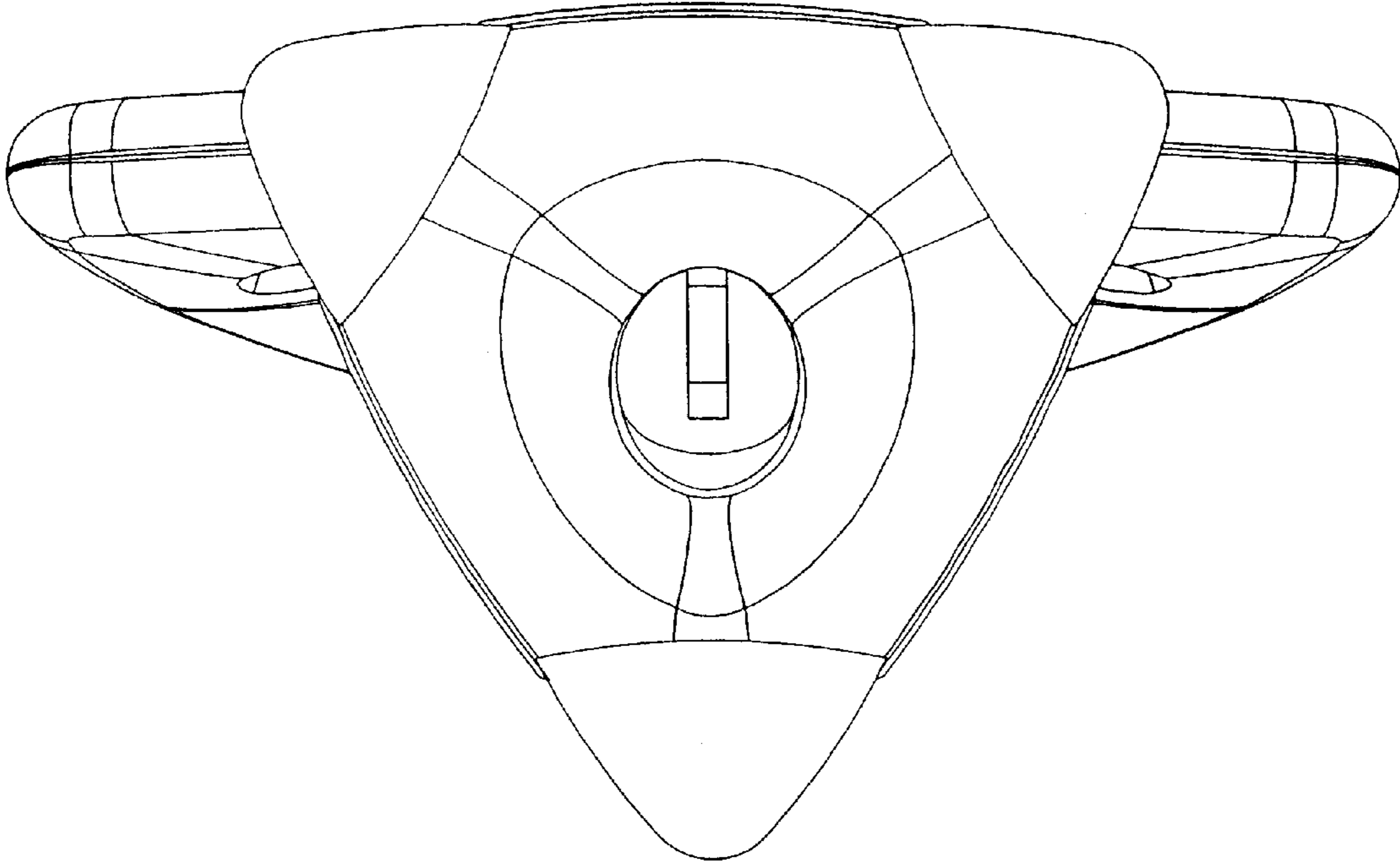
**FIG. 4**



**FIG. 5**



**FIG. 6**



**FIG. 7**