

US00D509221S

(12) **United States Design Patent** (10) **Patent No.:** **US D509,221 S**
Suber et al. (45) **Date of Patent:** **** Sep. 6, 2005**

(54) **COMPUTER MONITOR FRAME BOARD HAVING DECORATIVE EDGE, ERASABLE SURFACE FOR NOTES, AND PRESSURE ADHESIVE BACK**

D381,642 S * 7/1997 Kiger et al. D14/450
 6,412,744 B1 * 7/2002 Wollam et al. 248/442.2
 6,478,282 B1 * 11/2002 Flemming 248/442.2
 6,533,634 B1 3/2003 Sugar

(76) Inventors: **Mary E. Suber**, 1502 Westfield St., Pittsburgh, PA (US) 15216; **Joseph Suber, III**, 1502 Westfield St., Pittsburgh, PA (US) 15216

* cited by examiner

Primary Examiner—Freda S. Nunn
 (74) *Attorney, Agent, or Firm*—Donald R. Schoonover

(**) Term: **14 Years**

(57) **CLAIM**

(21) Appl. No.: **29/204,009**

We claim the ornamental design for a computer monitor frame board having decorative edge, erasable surface for notes, and pressure adhesive back, as shown and described.

(22) Filed: **Apr. 23, 2004**

DESCRIPTION

(51) **LOC (8) Cl.** **14-02**

(52) **U.S. Cl.** **D14/448**

(58) **Field of Search** D14/432, 448–450;
 40/594, 733; 312/234; 248/442.2

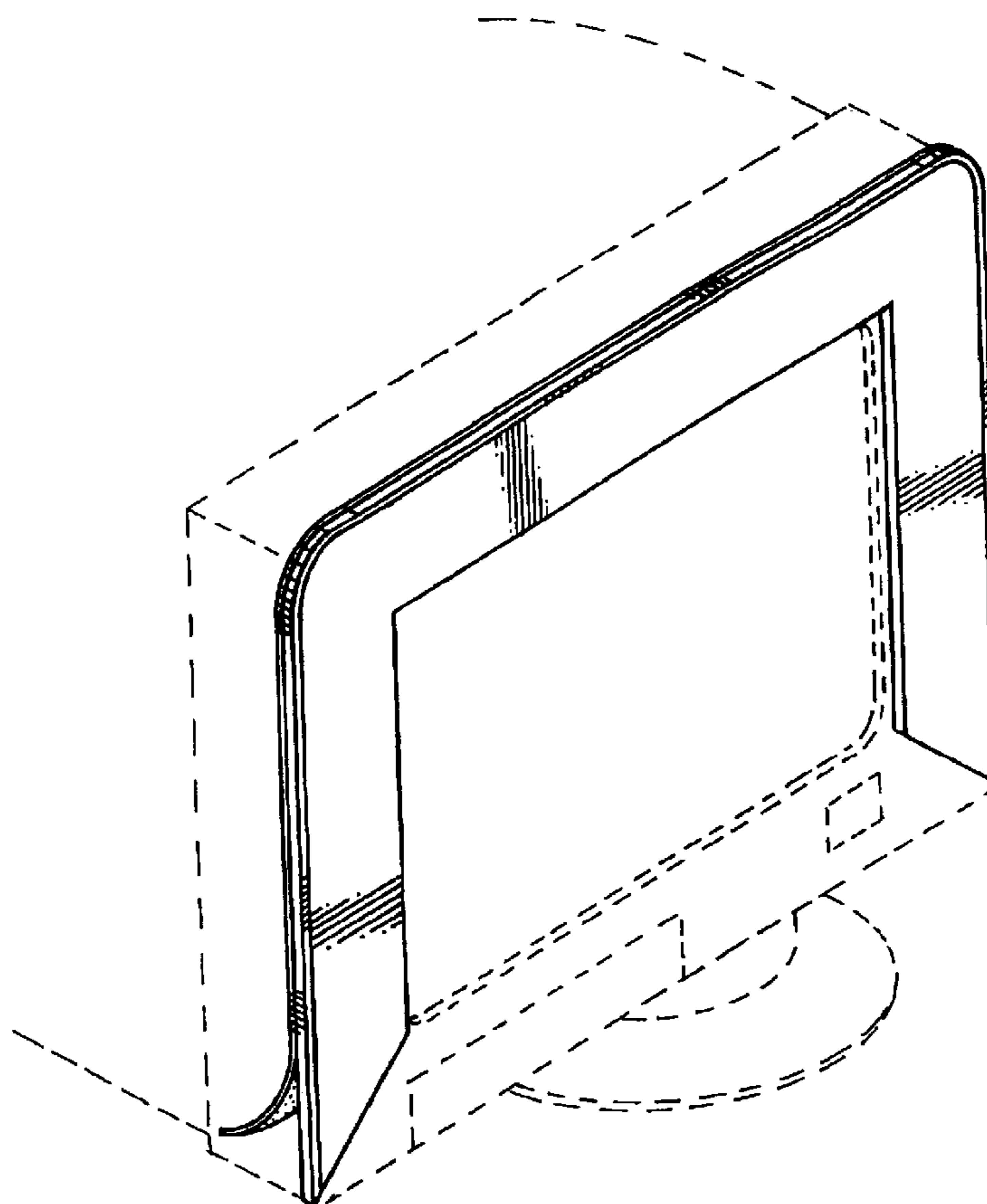
FIG. 1 is a perspective view of a computer monitor frame board having decorative edge, erasable surface for notes, and pressure adhesive back showing our new design in use; the broken lines depict environmental structure for illustrative purposes only and form no part of the claimed design; FIG. 2 is a front elevational view thereof; FIG. 3 is a rear elevational view thereof; FIG. 4 is a left side elevational view thereof, the right side elevational view being a mirror image thereof; FIG. 5 is a top plan view thereof; and, FIG. 6 is a bottom plan view being identical thereof.

(56) **References Cited**

U.S. PATENT DOCUMENTS

4,444,465 A 4/1984 Giulie et al.
 5,104,087 A 4/1992 Wentzloff et al.
 5,398,905 A 3/1995 Hinson
 5,549,267 A * 8/1996 Armbruster et al. 248/442.2
 5,638,096 A * 6/1997 Schwartz 248/442.2

1 Claim, 3 Drawing Sheets



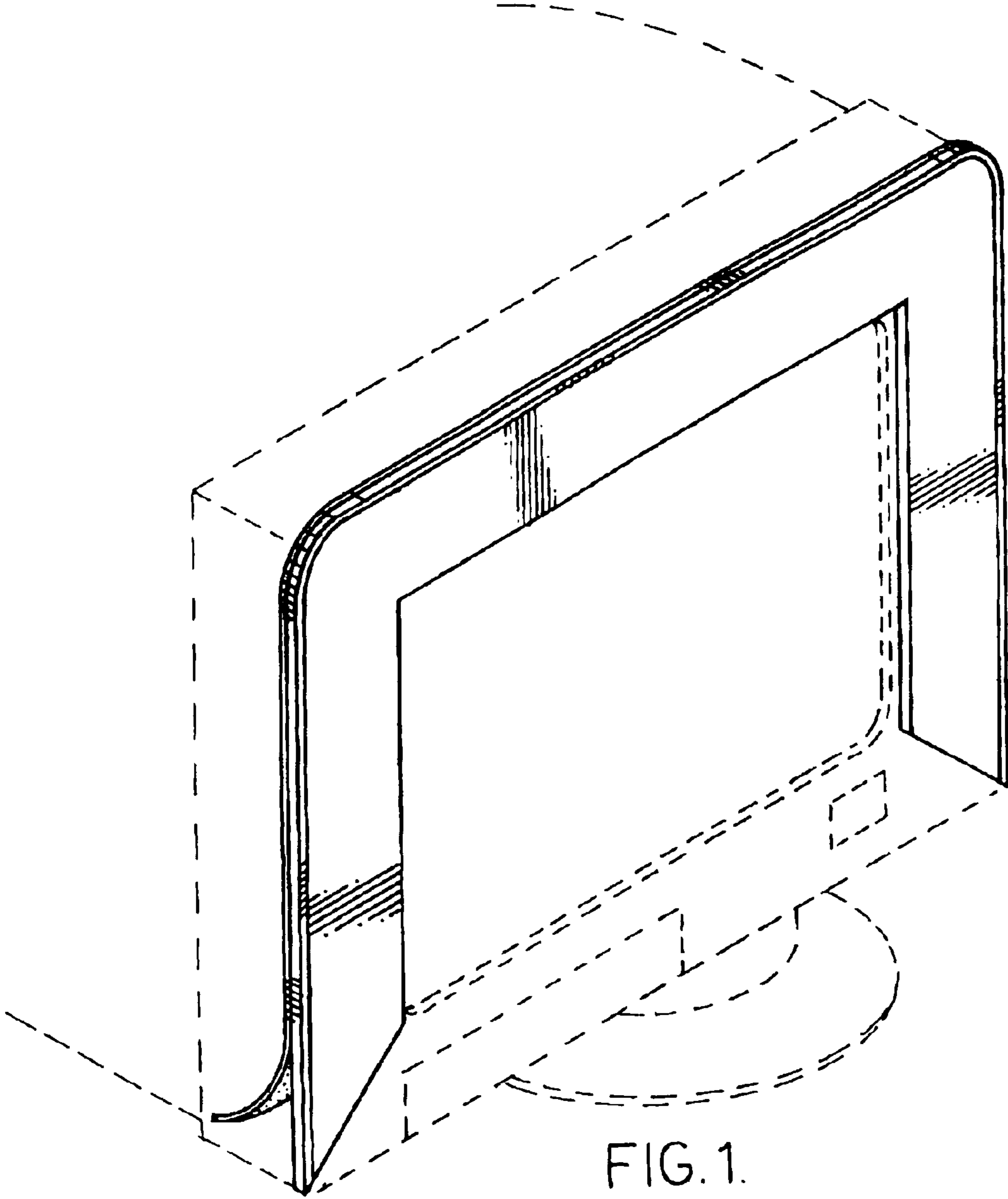


FIG. 1.



FIG. 4.

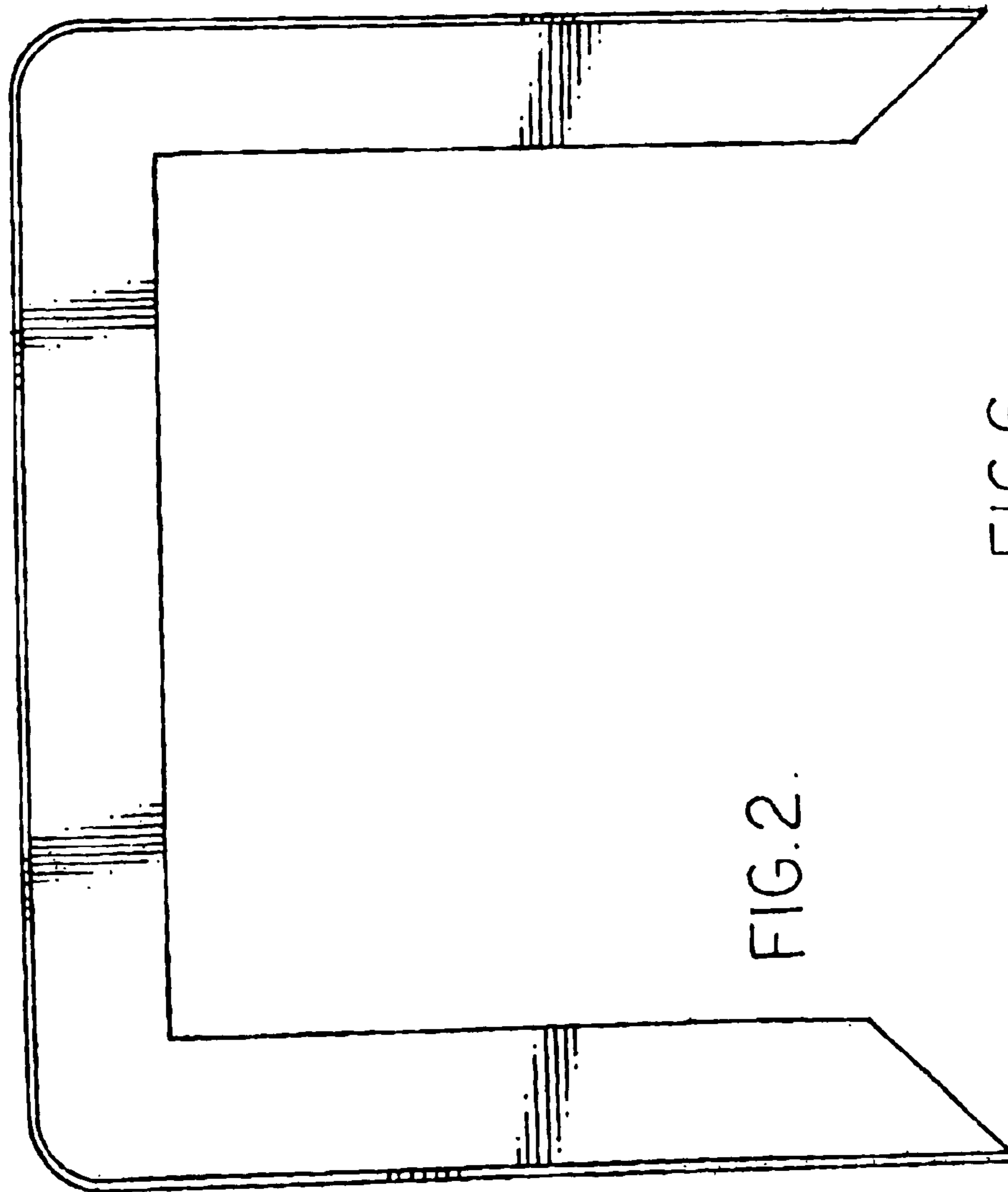


FIG. 2.



FIG. 6.

FIG. 5.

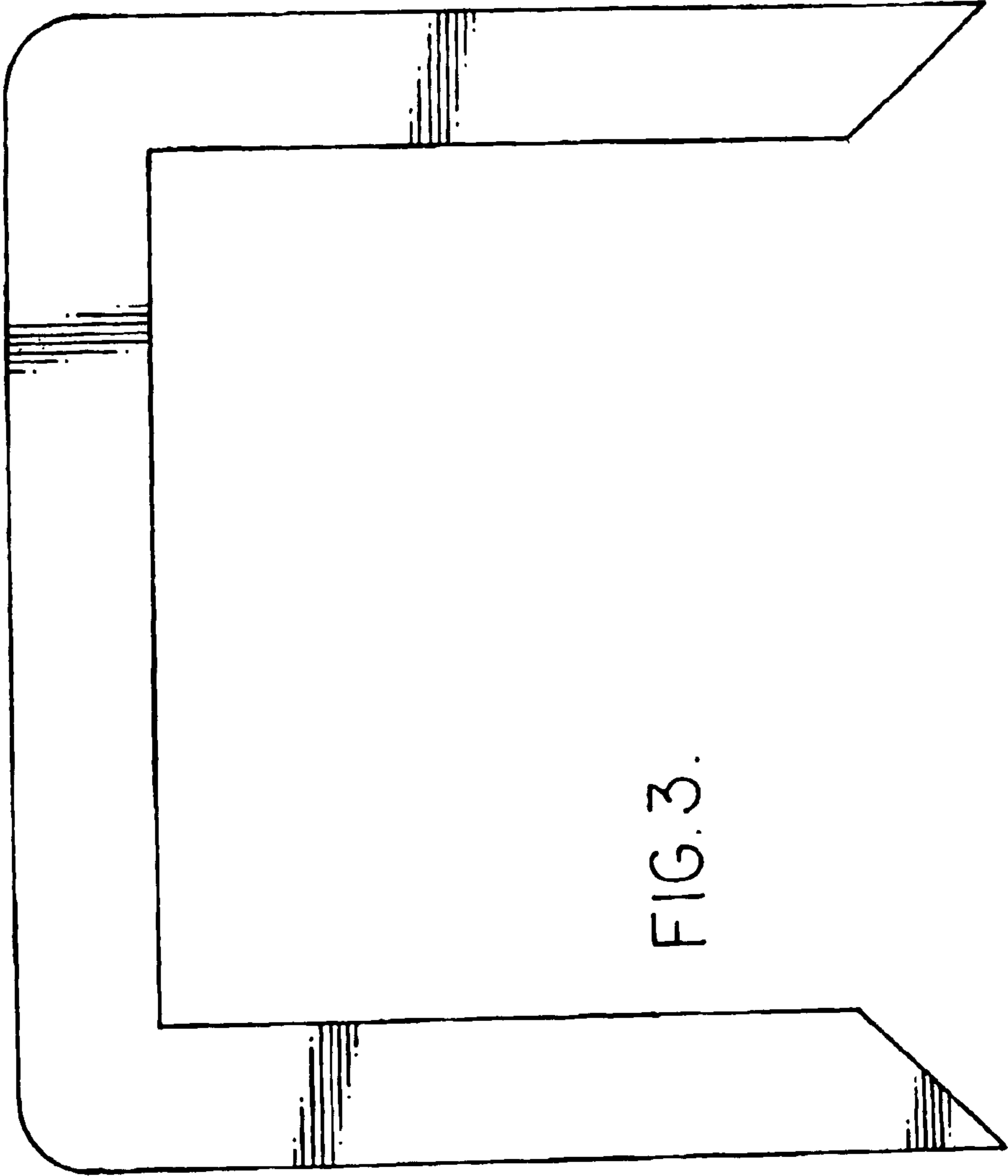


FIG. 3.