

US00D509219S

(12) **United States Design Patent**  
**Avery**

(10) **Patent No.:** **US D509,219 S**  
(45) **Date of Patent:** **\*\* Sep. 6, 2005**

- (54) **DATA CARTRIDGE**
- (75) **Inventor:** **Jason Avery, Berkeley, CA (US)**
- (73) **Assignee:** **LeapFrog Enterprises, Inc., Emeryville, CA (US)**
- (\*\*) **Term:** **14 Years**
- (21) **Appl. No.:** **29/199,234**
- (22) **Filed:** **Feb. 10, 2004**
- (51) **LOC (8) Cl.** ..... **14-02**
- (52) **U.S. Cl.** ..... **D14/435**
- (58) **Field of Search** ..... D14/432, 435-8, D14/478-80; D21/324-33; 273/148 B; 360/131-3; 463/43-47, 1, 30

- D469,776 S \* 2/2003 Laity et al. .... D14/435
- D473,234 S \* 4/2003 Hussaini et al. .... D14/436
- D478,127 S \* 8/2003 Nishikawa ..... D21/332
- D478,358 S \* 8/2003 Ashida ..... D21/332

\* cited by examiner

*Primary Examiner*—M. H. Tung  
(74) *Attorney, Agent, or Firm*—Townsend and Townsend and Crew LLP

(57) **CLAIM**

The ornamental design for a data cartridge, as shown and described herein.

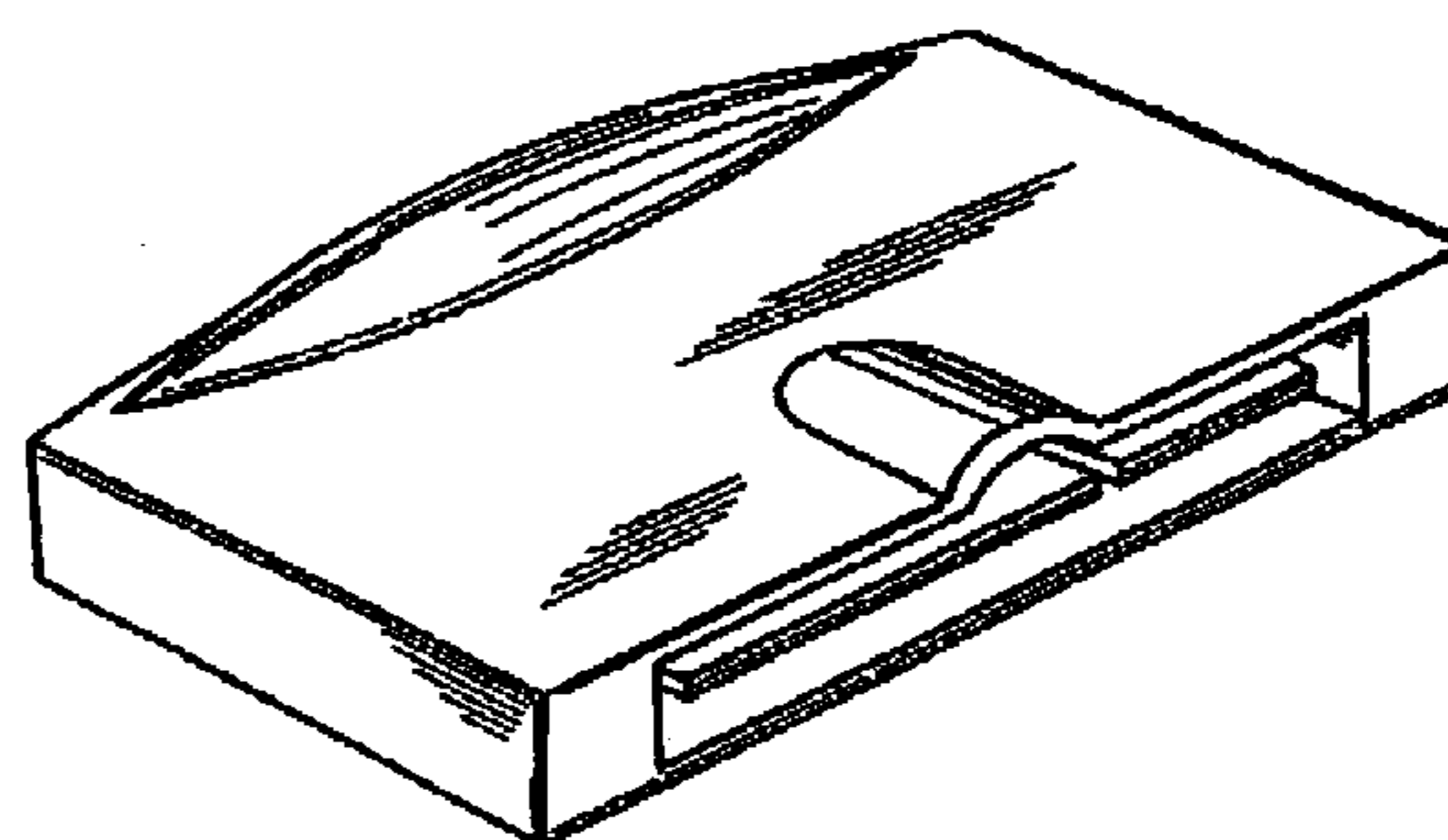
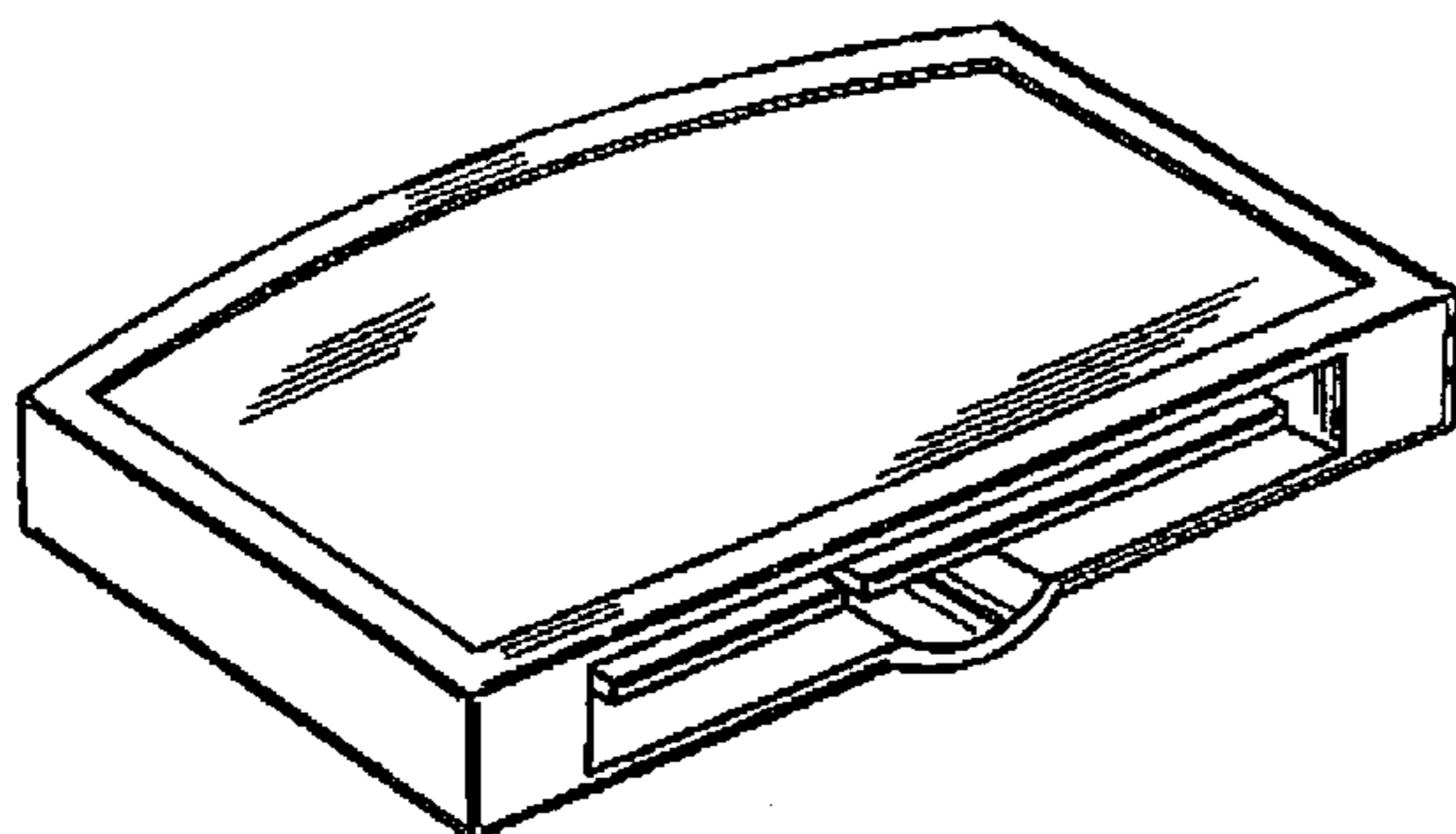
**DESCRIPTION**

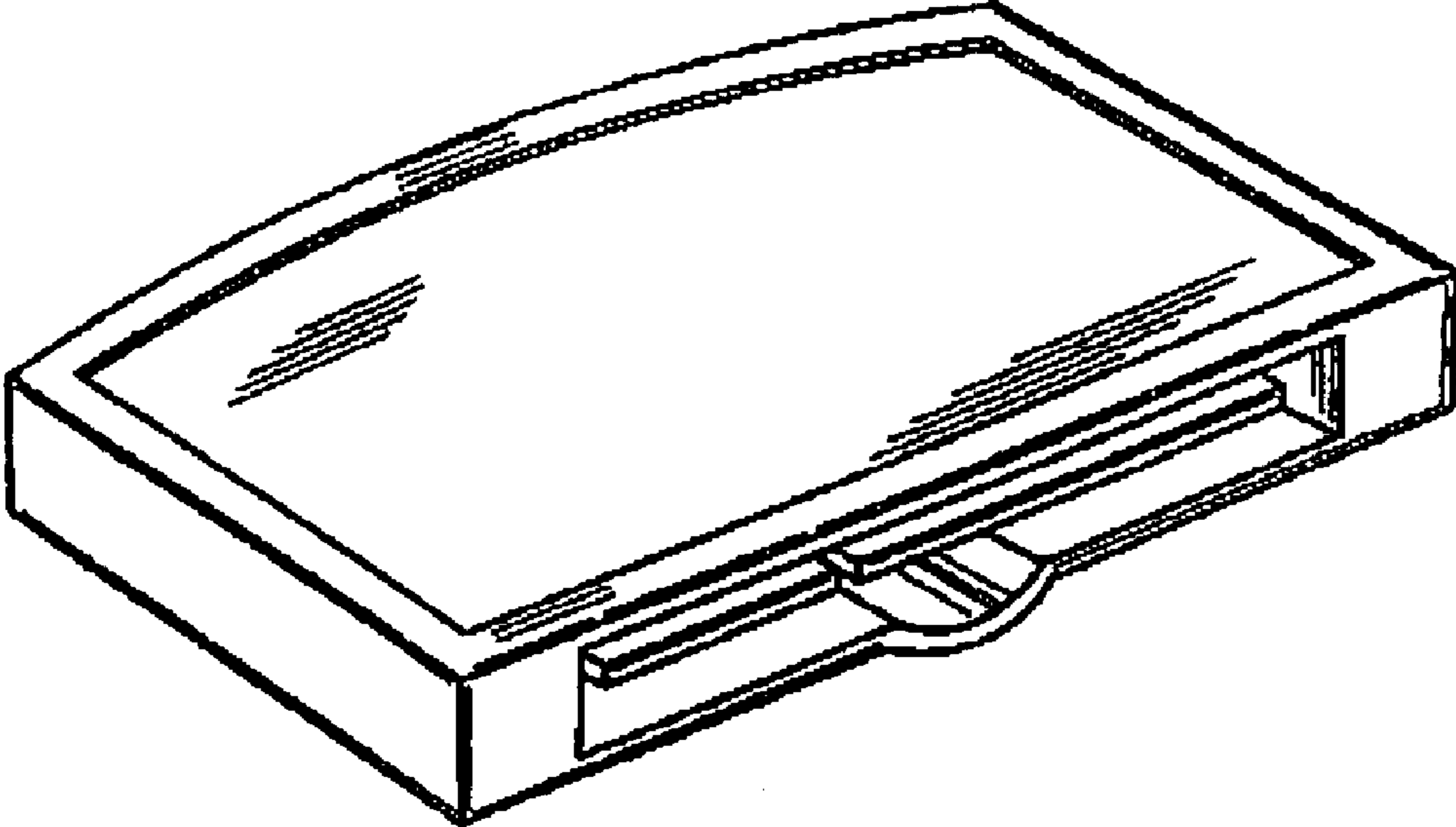
FIG. 1 is a top perspective view of a data cartridge showing my new design, on an enlarged scale;  
FIG. 2 is a bottom perspective view thereof, on an enlarged scale;  
FIG. 3 is a top plan view thereof;  
FIG. 4 is a front elevation view thereof;  
FIG. 5 is a bottom plan view thereof;  
FIG. 6 is a rear elevation view thereof; and,  
FIG. 7 is a right side elevation view thereof, which is a mirror image of a left side elevation view thereof.

**1 Claim, 2 Drawing Sheets**

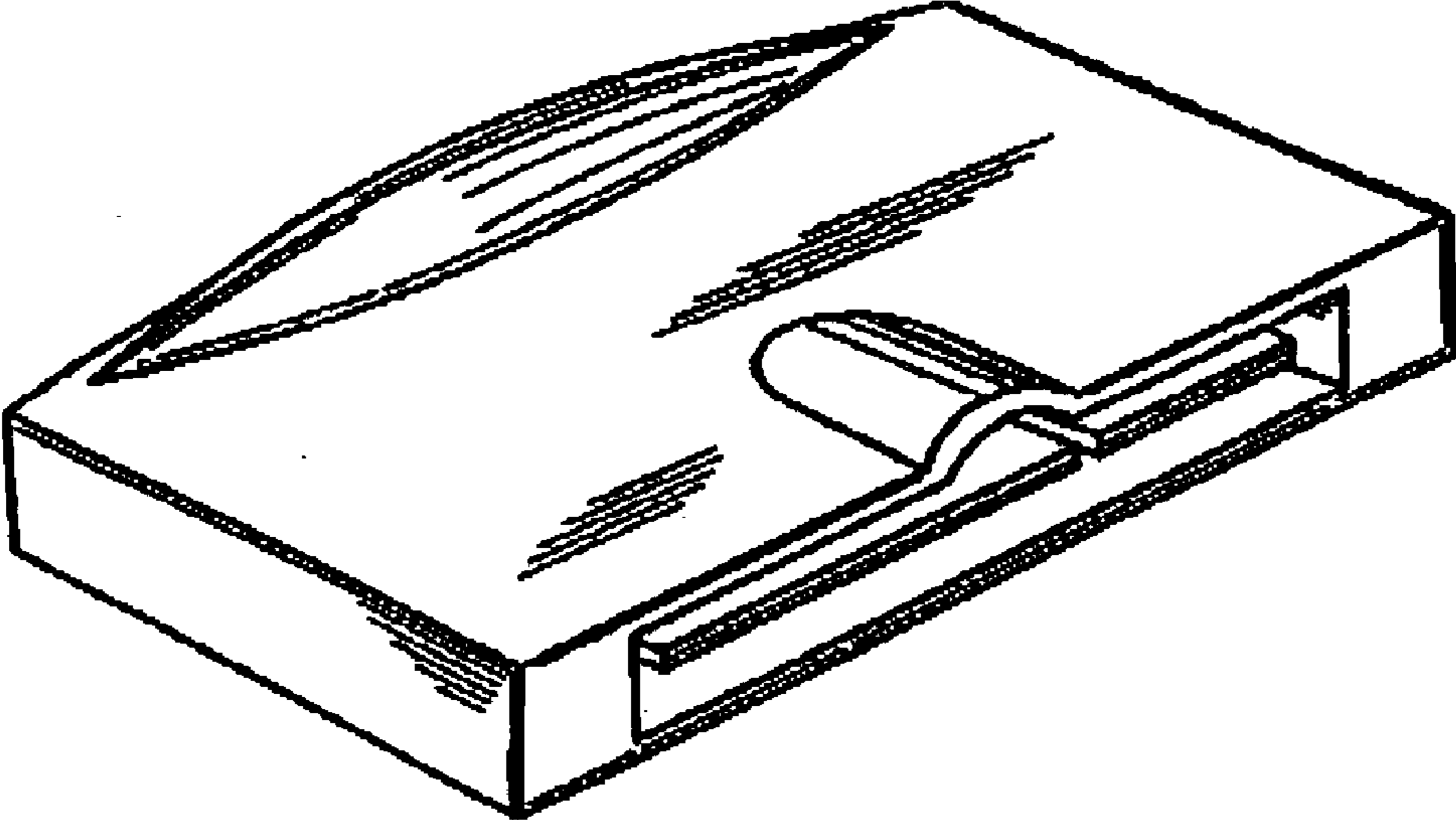
(56) **References Cited**  
U.S. PATENT DOCUMENTS

- D368,082 S \* 3/1996 Goto ..... D14/435
- D412,187 S \* 7/1999 Kitamori ..... D21/332
- D437,323 S \* 2/2001 Sugino et al. .... D14/435
- D441,757 S \* 5/2001 Hui ..... D14/435
- D458,643 S \* 6/2002 Ashida ..... D21/332
- D464,354 S \* 10/2002 Small ..... D14/435
- D468,743 S \* 1/2003 Kawanobe et al. .... D14/435

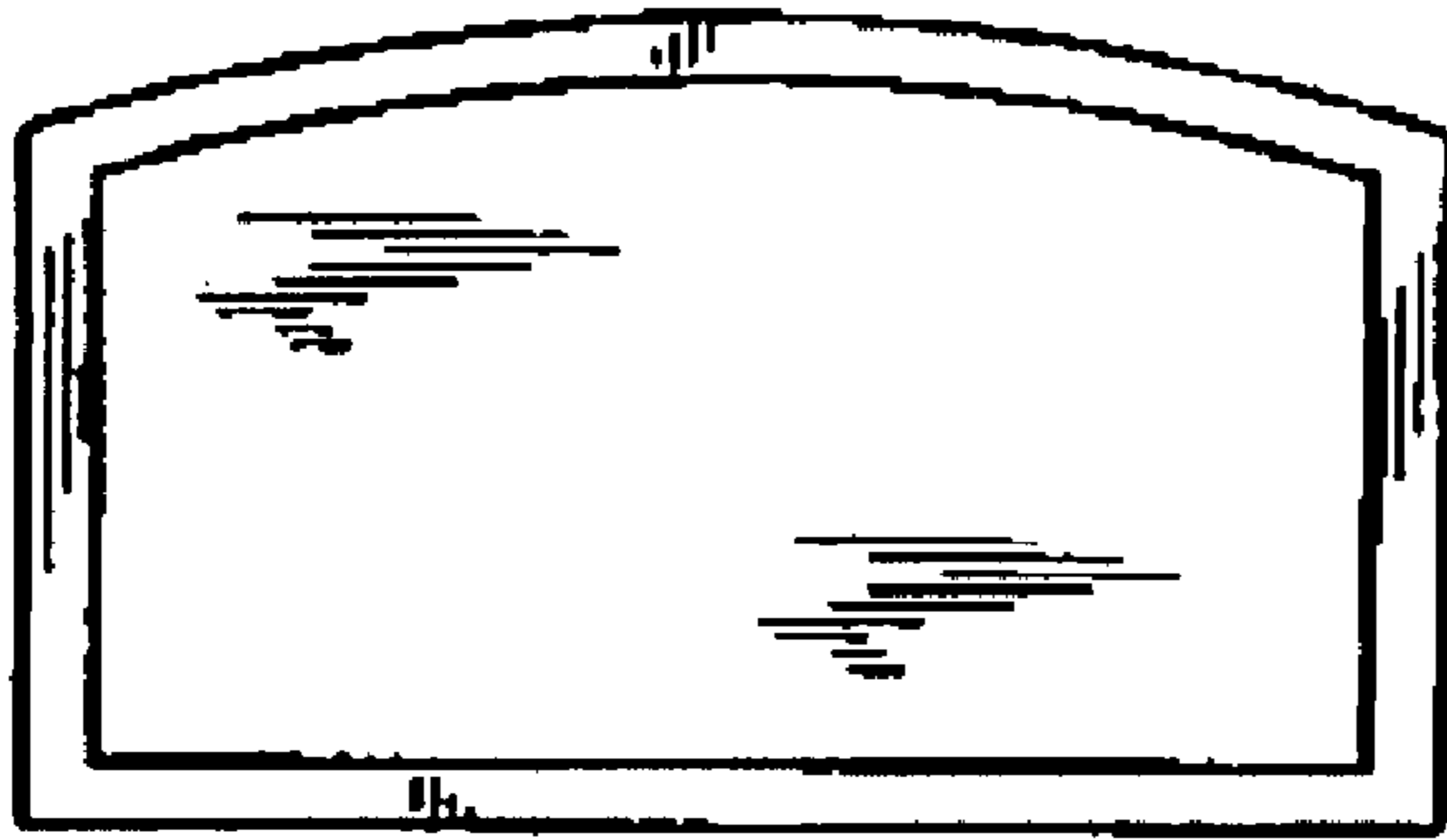




*FIG. 1*



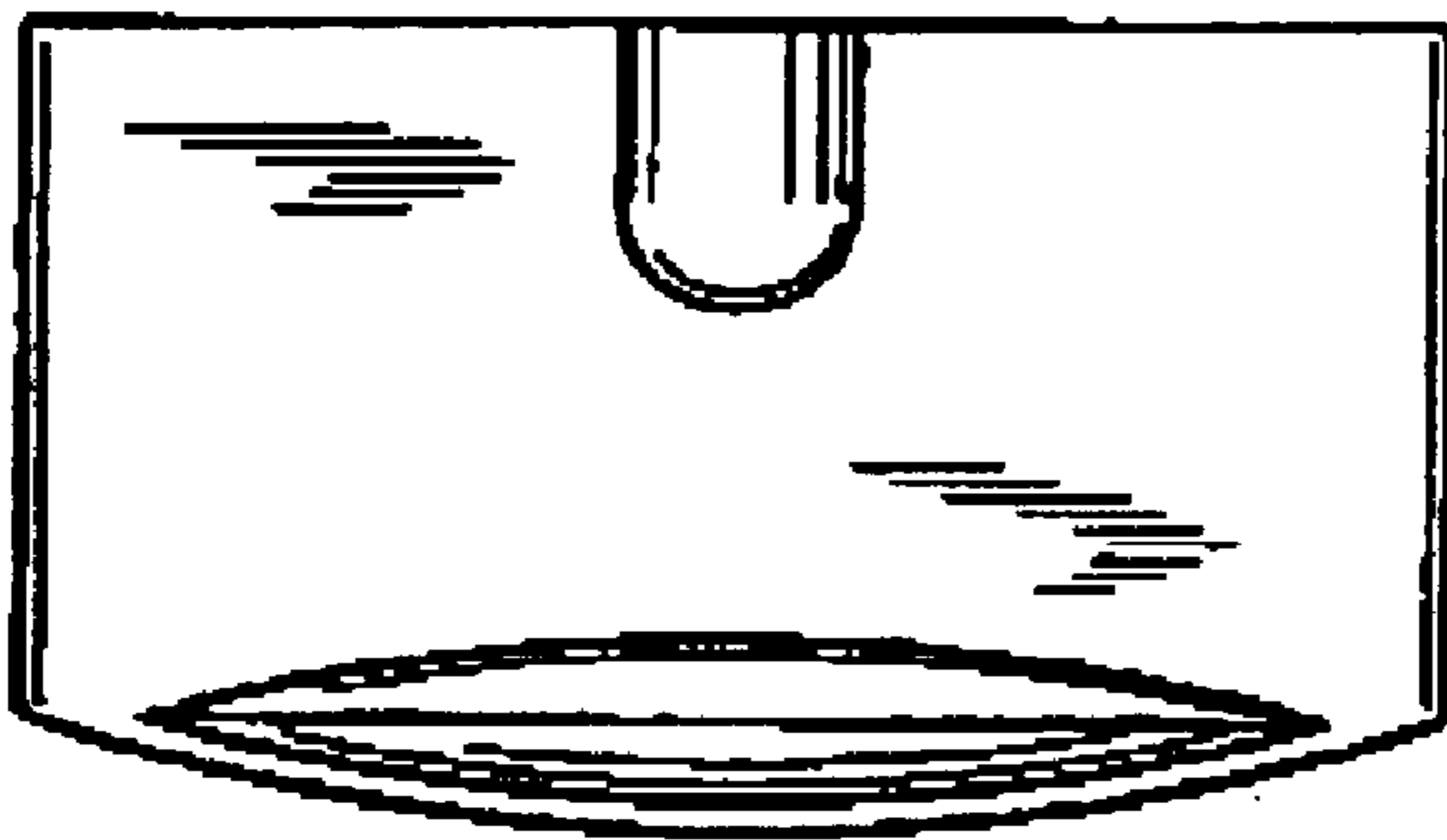
*FIG. 2*



*FIG. 3*



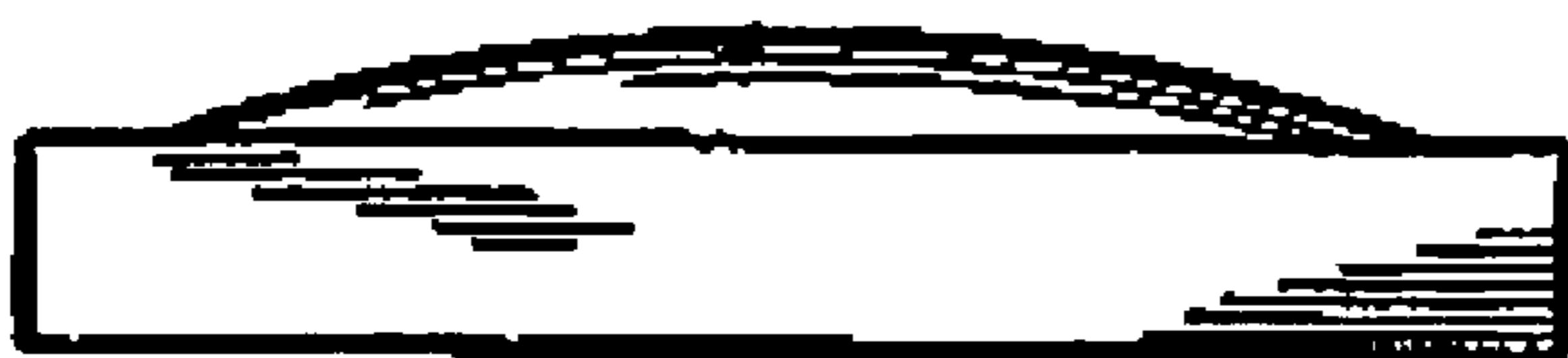
*FIG. 4*



*FIG. 5*



*FIG. 7*



*FIG. 6*