



US00D509217S

(12) **United States Design Patent**
Peng et al.

(10) **Patent No.:** **US D509,217 S**
(45) **Date of Patent:** **** Sep. 6, 2005**

(54) **DESK TOP COMPUTER**

D434,030 S * 11/2000 Colprit et al. D14/308

(75) Inventors: **Hsueh-Chih Peng**, Taipei Hsien (TW);
Lu Ching-Yi, Taipei Hsien (TW)

* cited by examiner

(73) Assignee: **Acer Incorporated**, Taipei Hsien (TW)

Primary Examiner—Freda S. Nunn
(74) *Attorney, Agent, or Firm*—Michael Bednarek;
Pillsbury Winthrop Shaw Pittman LLP

(**) Term: **14 Years**

(57) **CLAIM**

(21) Appl. No.: **29/199,265**

The ornamental design for a desk top computer, as shown and described.

(22) Filed: **Feb. 13, 2004**

(51) **LOC (8) Cl.** **14-02**

(52) **U.S. Cl.** **D14/349**

(58) **Field of Search** D14/349–356,
D14/308; D13/162, 184, 199; 312/223.1–223.3;
360/99.01–99.12; 361/690–696; 369/34.01,
36.01

DESCRIPTION

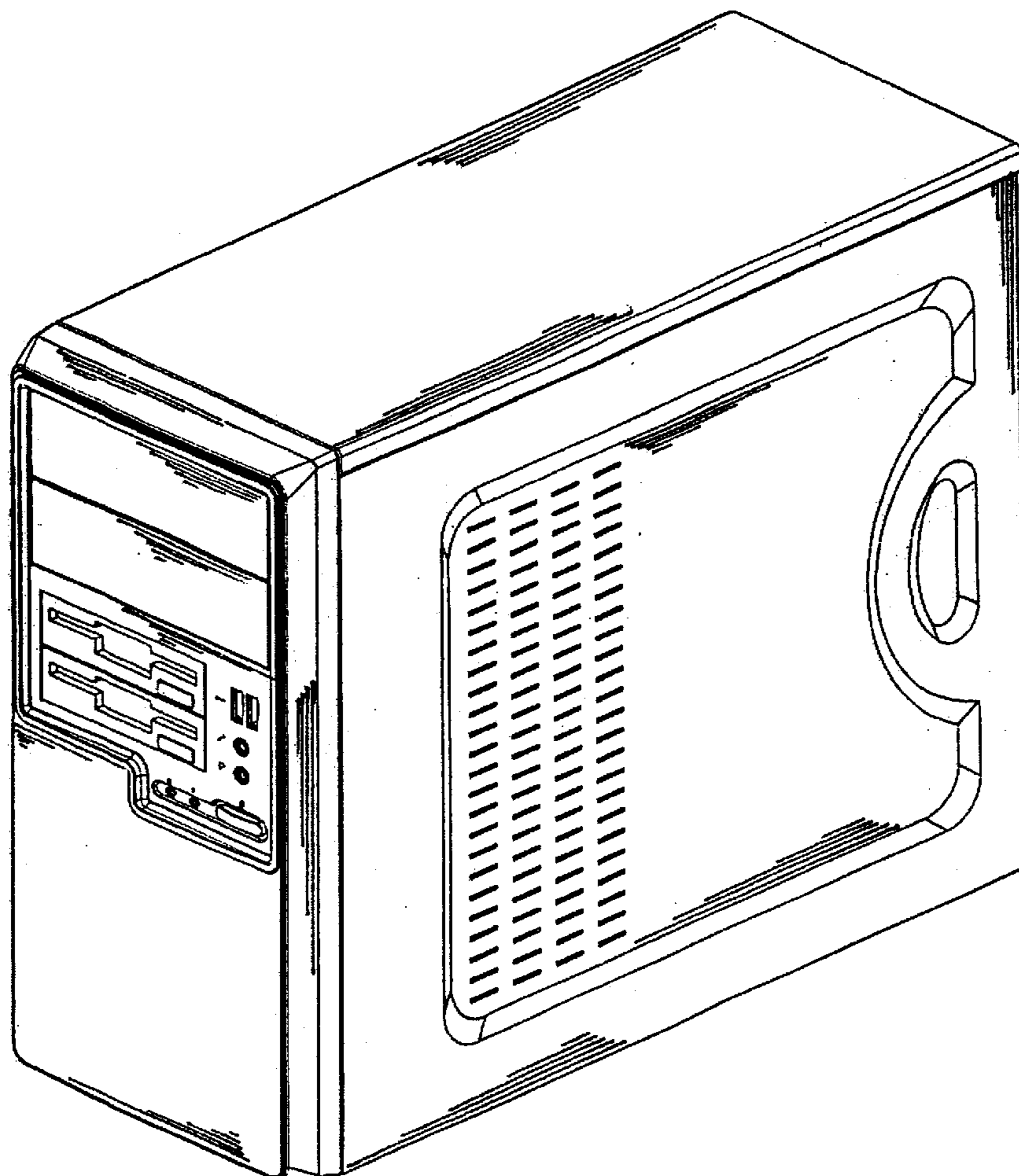
FIG. 1 is an enlarged front elevational view thereof;
FIG. 2 is an enlarged rear elevational view thereof;
FIG. 3 is a left side elevational view thereof;
FIG. 4 is a right side elevational view thereof;
FIG. 5 is a top plan view thereof;
FIG. 6 is a bottom plan view thereof; and,
FIG. 7 is a perspective view thereof.

(56) **References Cited**

U.S. PATENT DOCUMENTS

D310,070 S * 8/1990 Makidera D14/308

1 Claim, 7 Drawing Sheets



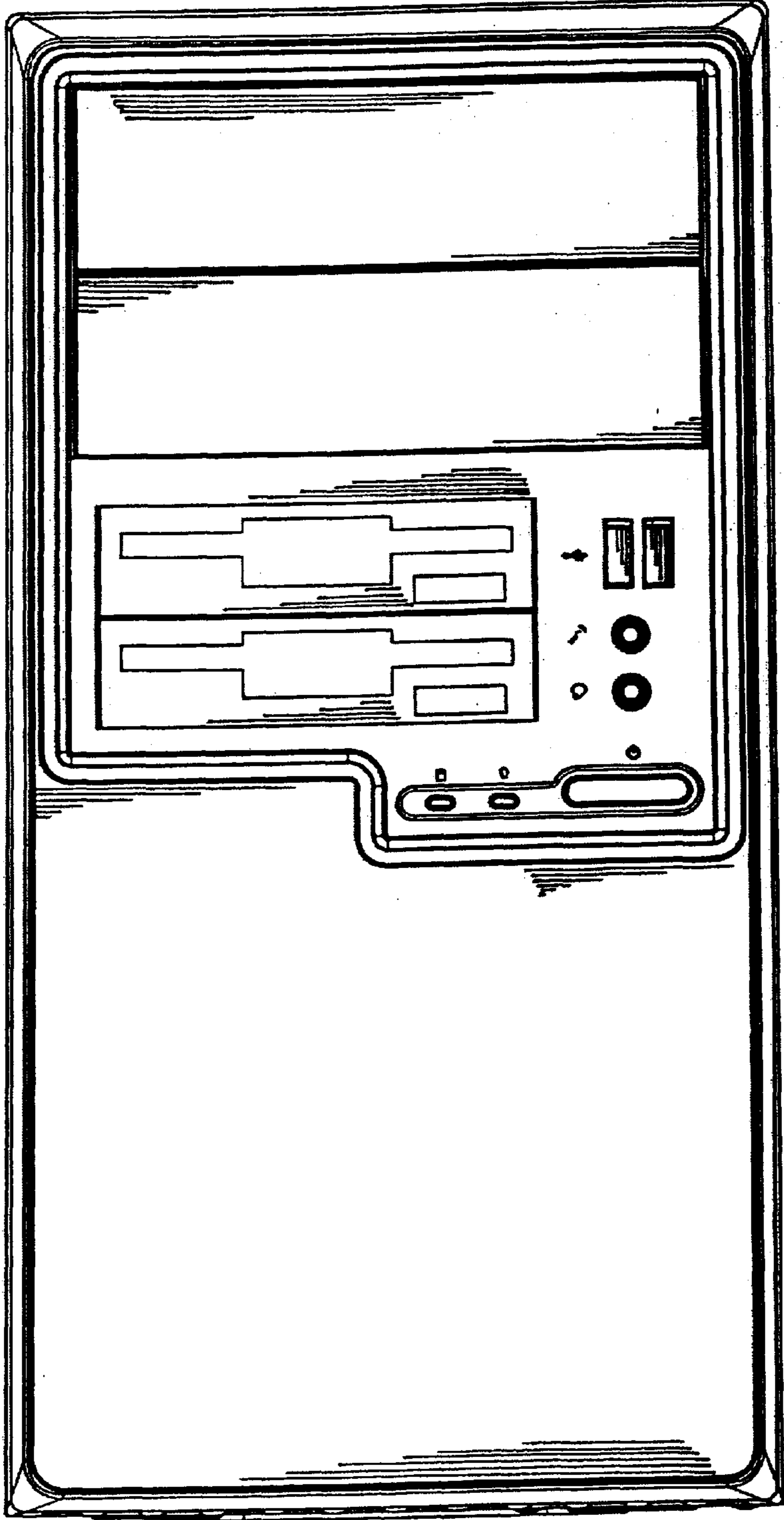


FIG. 1

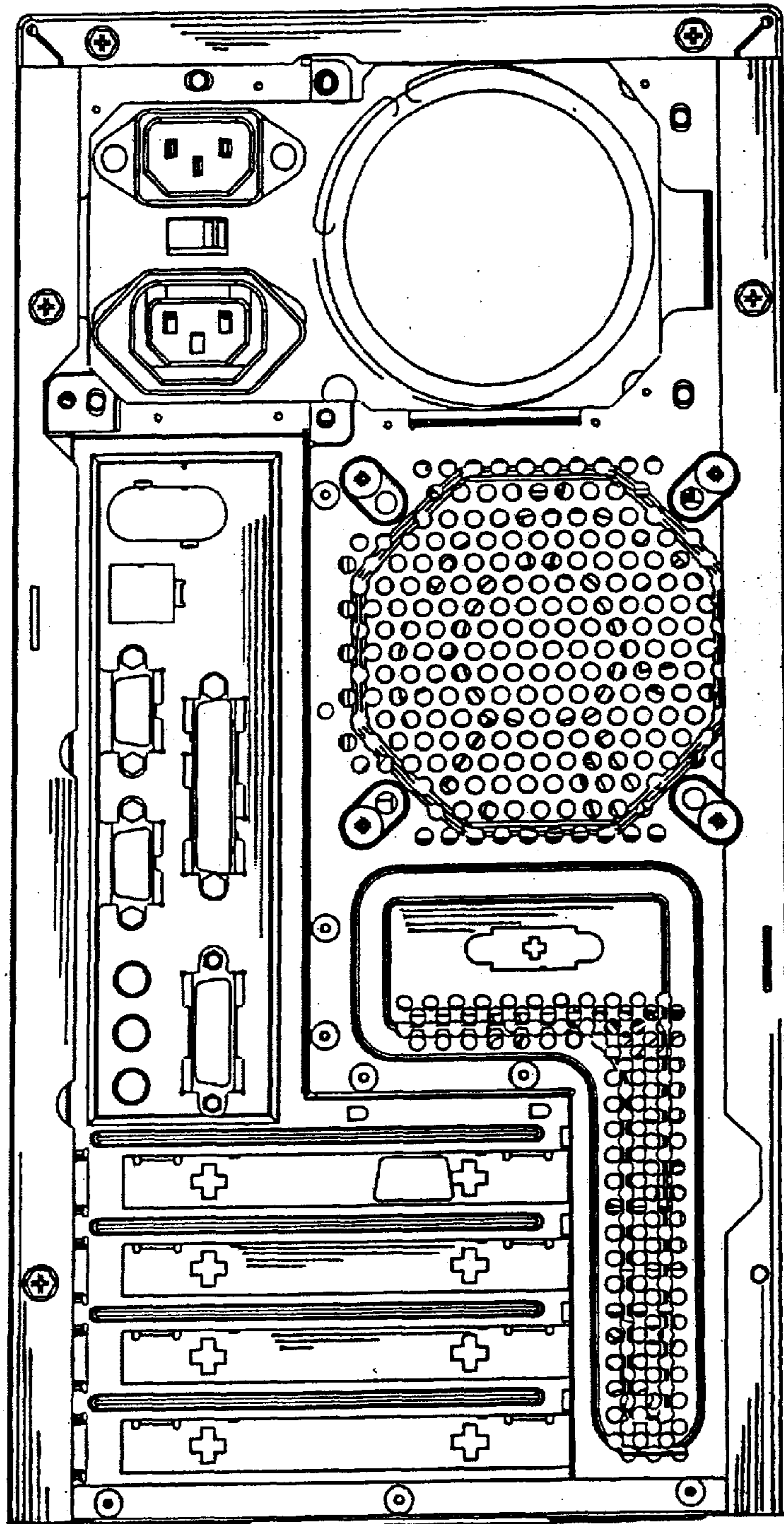


FIG. 2

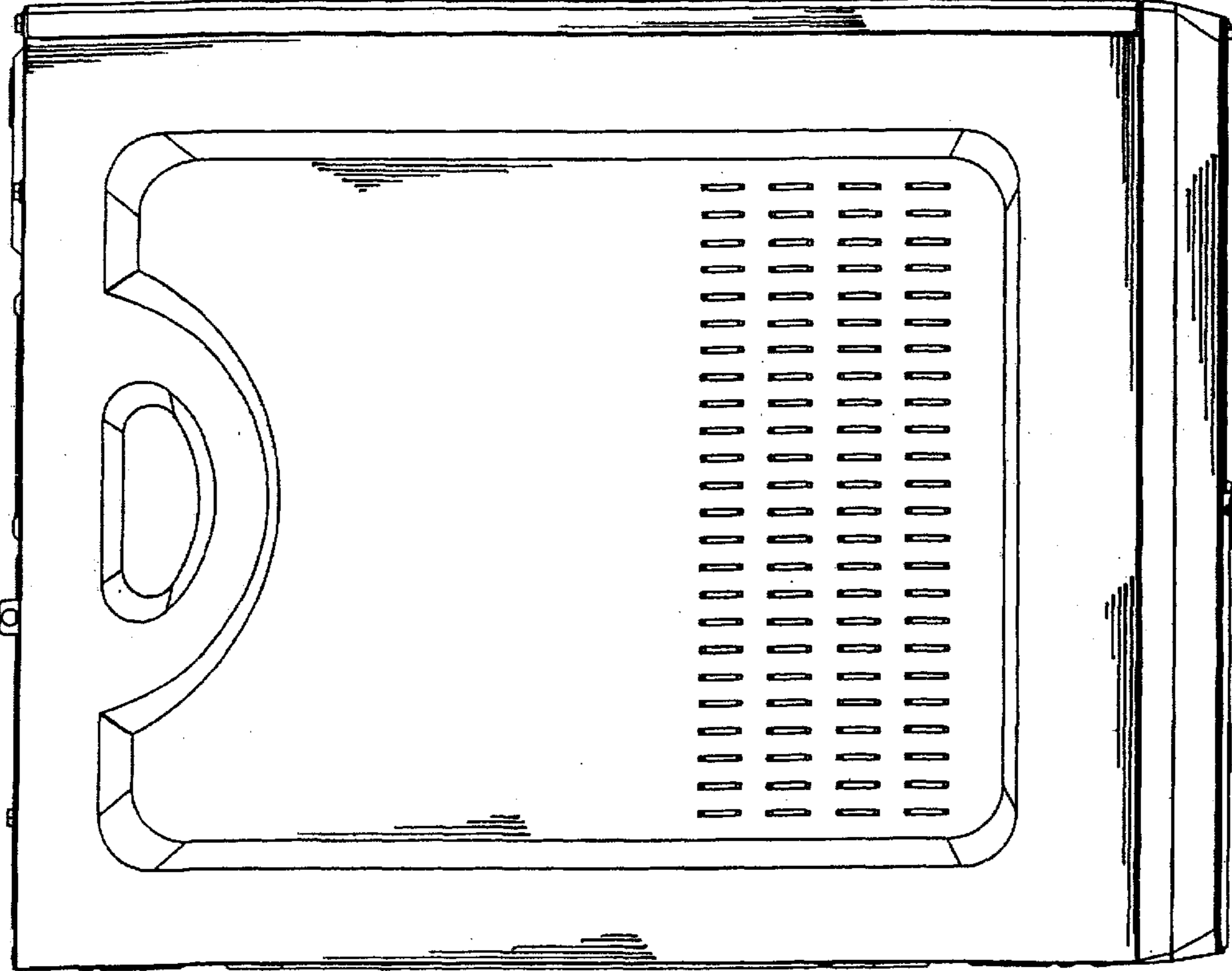


FIG. 3

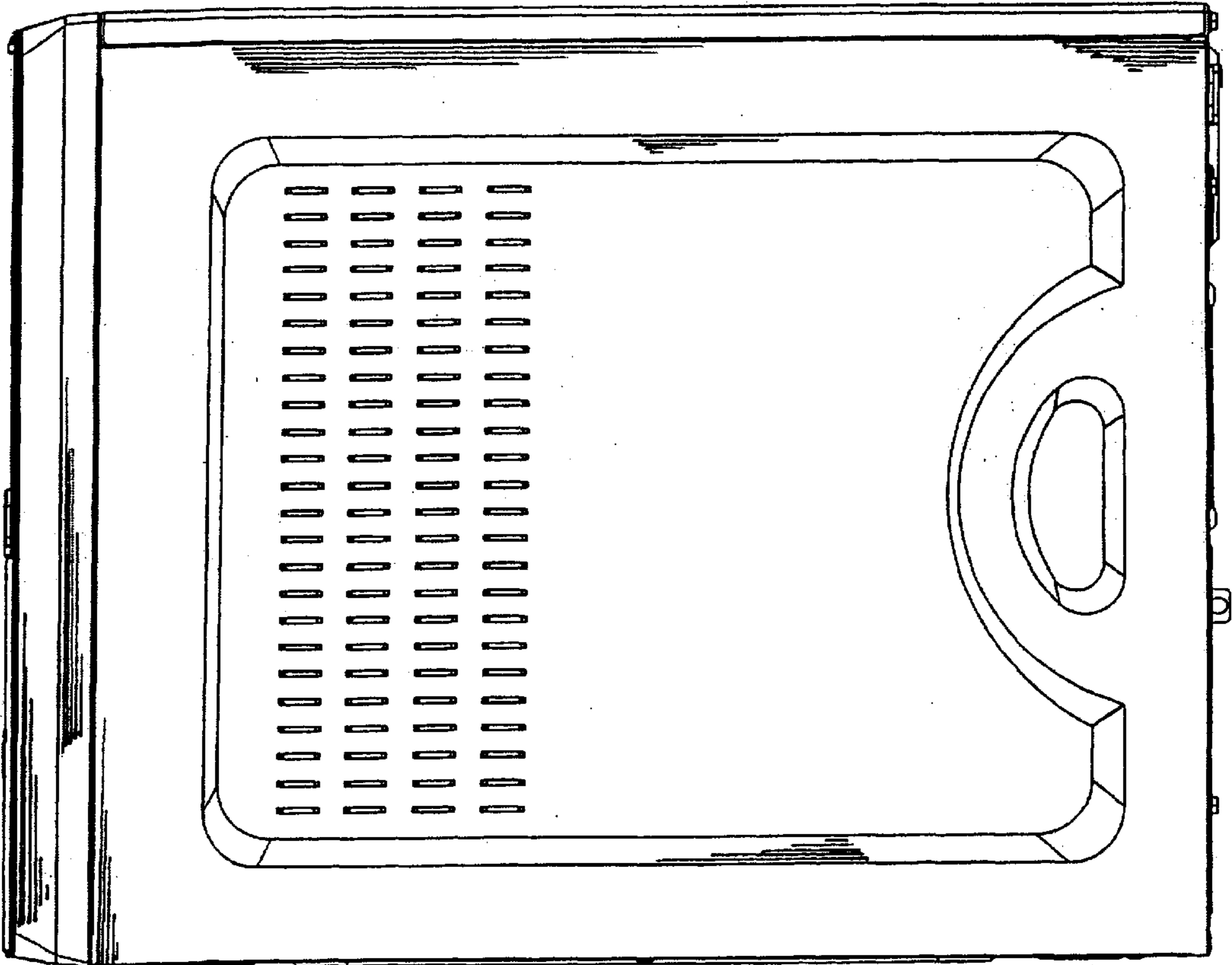


FIG. 4

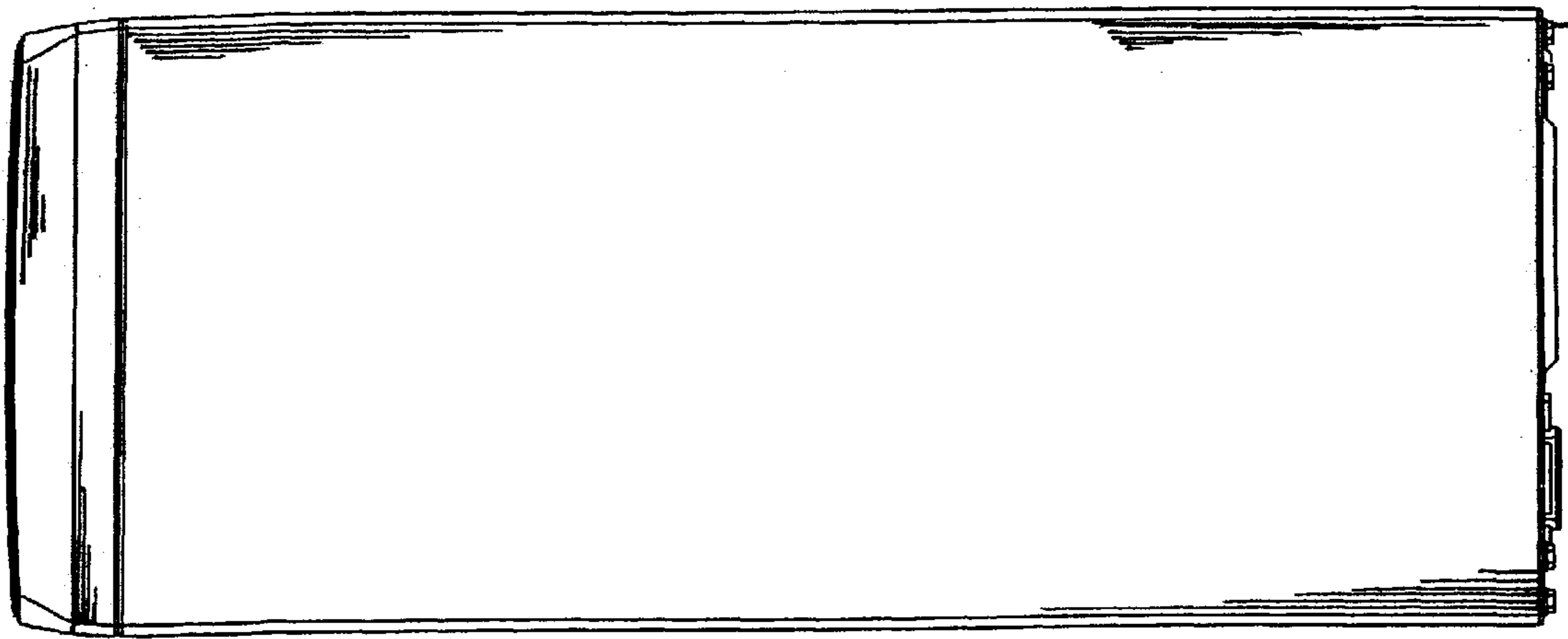


FIG. 5

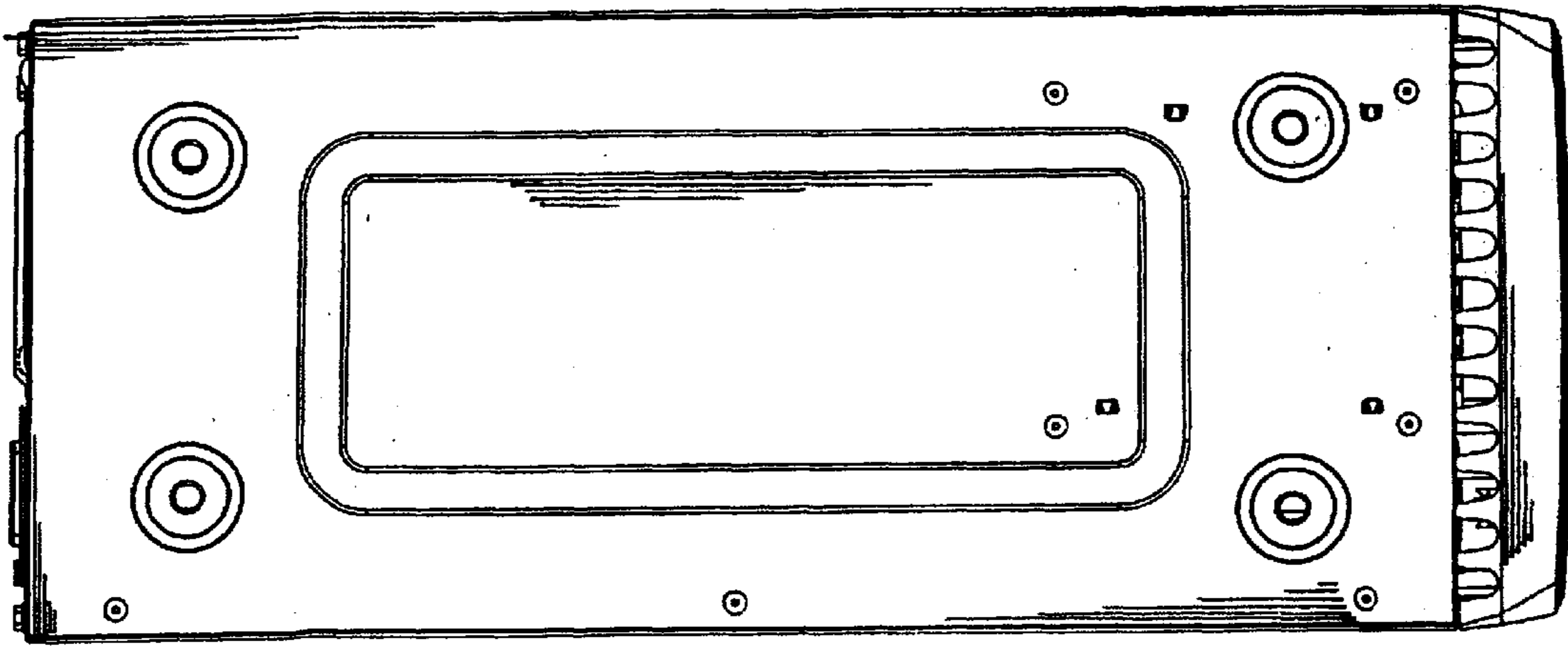


FIG. 6

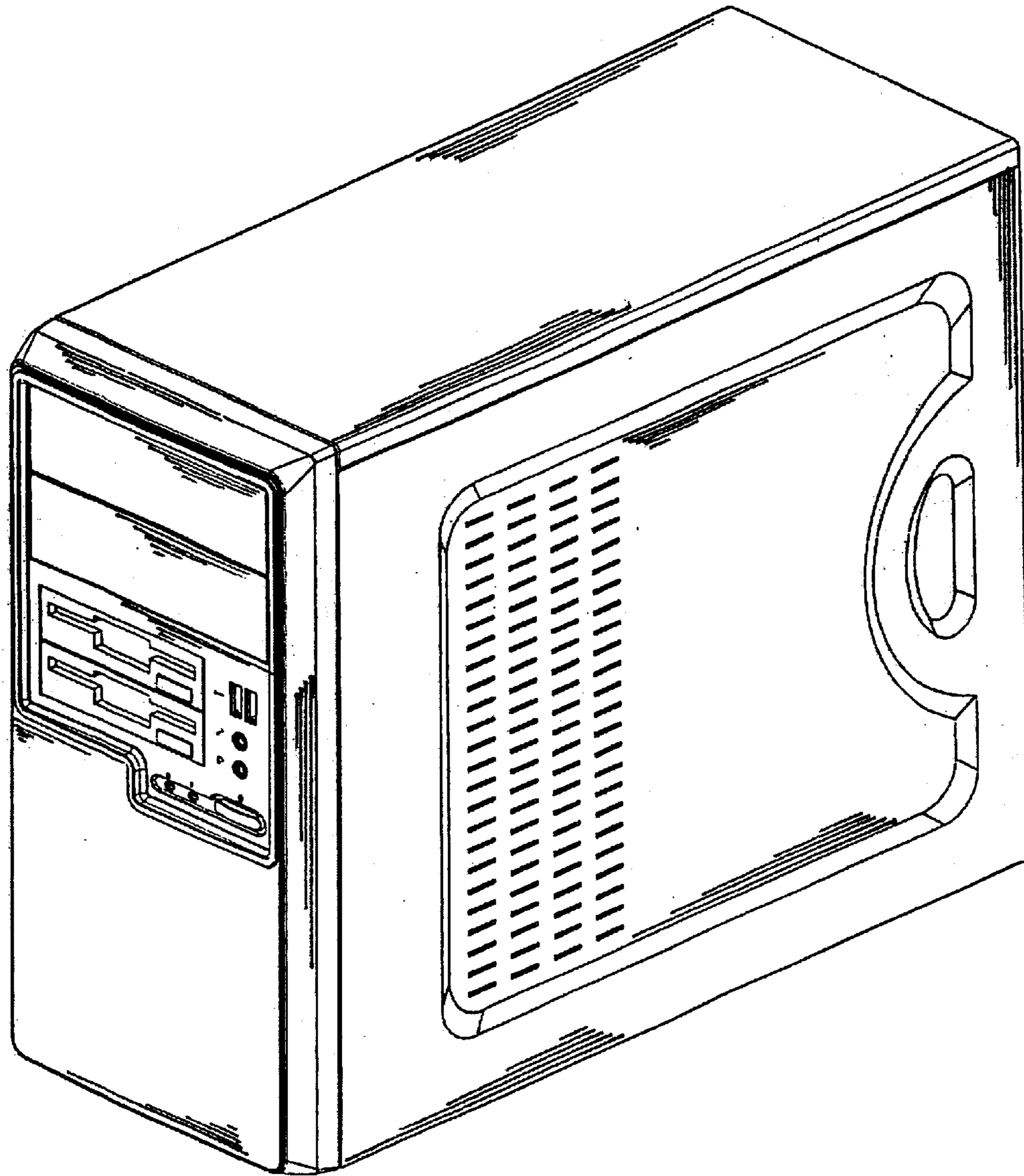


FIG. 7