



US00D509214S

(12) **United States Design Patent**
Chung

(10) **Patent No.:** **US D509,214 S**

(45) **Date of Patent:** **** Sep. 6, 2005**

(54) **SIGNAL TRANSCEIVER FOR NETWORK**

(75) **Inventor:** **Ming Tsai Chung, Hsinchu (TW)**

(73) **Assignee:** **D-Link Corporation, Hsinchu (TW)**

(**) **Term:** **14 Years**

(21) **Appl. No.:** **29/194,779**

(22) **Filed:** **Dec. 2, 2003**

(51) **LOC (8) Cl. 14-03**

(52) **U.S. Cl. D14/240**

(58) **Field of Search** D14/240, 349,
D14/353, 242, 243, 248, 256, 299, 358,
433; 455/151.1-151.4, 550-575; D13/184,
147, 168; 379/433.01-13, 434, 419, 418

(56) **References Cited**

U.S. PATENT DOCUMENTS

D338,193 S	*	8/1993	Sasaki	D14/433
D362,661 S	*	9/1995	Buschor et al.	D13/184
D372,703 S	*	8/1996	Hannon et al.	D13/152
D400,513 S	*	11/1998	Seirio	D13/184
D402,275 S	*	12/1998	Korhonen	D13/184
D418,113 S	*	12/1999	Yanish et al.	D13/152

D418,481 S	*	1/2000	Lin	D13/152
D429,238 S	*	8/2000	Kolinen	D14/240
D443,252 S	*	6/2001	Clapp et al.	D13/152
D451,479 S	*	12/2001	Bateson et al.	D13/152
D454,873 S	*	3/2002	Clark et al.	D14/358
D471,159 S	*	3/2003	Albicker	D13/152

* cited by examiner

Primary Examiner—Charles A. Rademaker

(74) *Attorney, Agent, or Firm*—Bacon & Thomas, PLLC

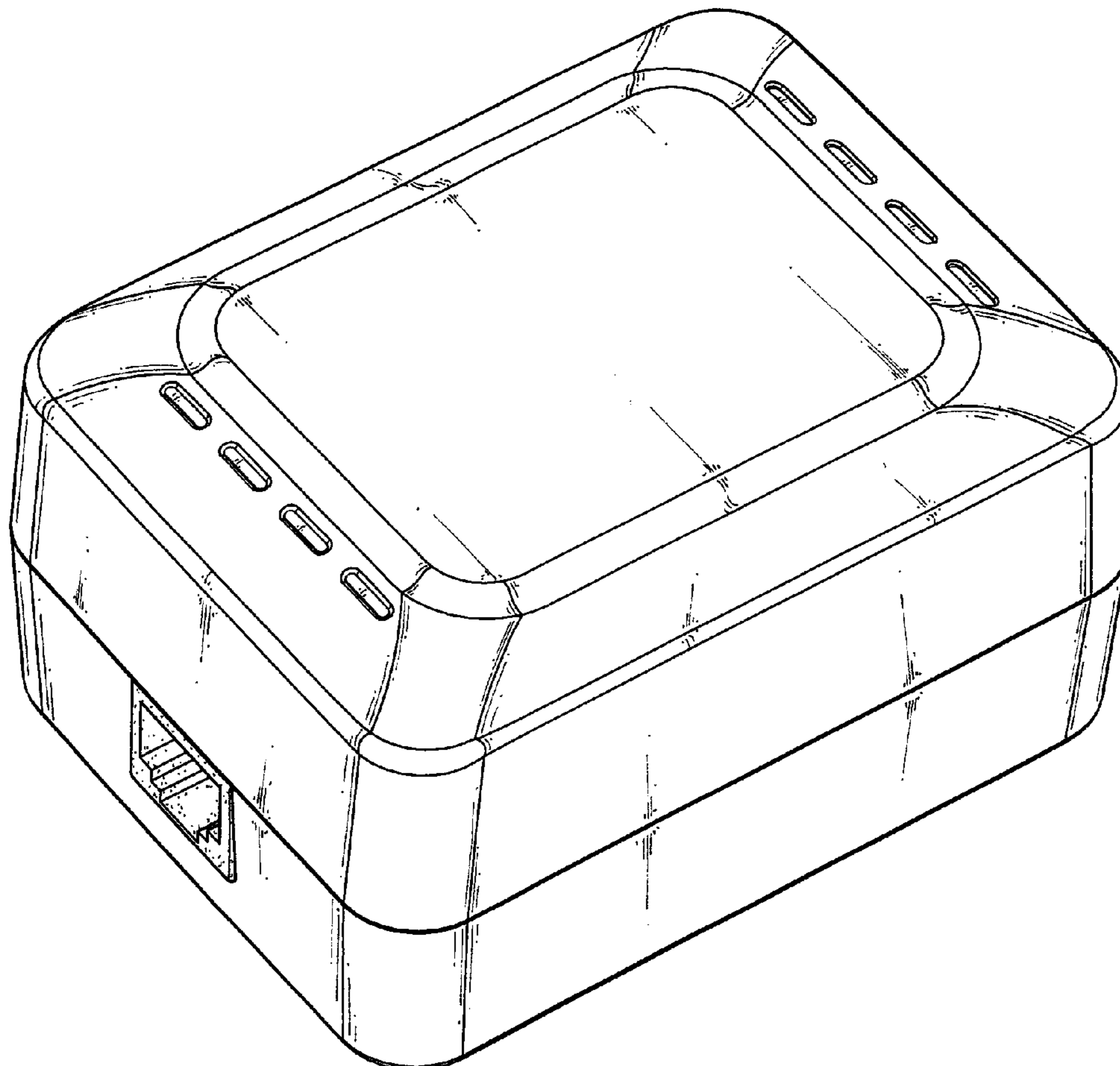
(57) **CLAIM**

The ornamental design for a handle for a signal transceiver for network, as shown and described.

DESCRIPTION

FIG. 1 is a perspective view of a signal transceiver for network showing my new design; FIG. 2 is a front elevational view thereof; FIG. 3 is a rear elevational view thereof; FIG. 4 is a left side elevational view thereof; FIG. 5 is a right side elevational view thereof; FIG. 6 is a top plan view thereof; and, FIG. 7 is a bottom plan view thereof.

1 Claim, 4 Drawing Sheets



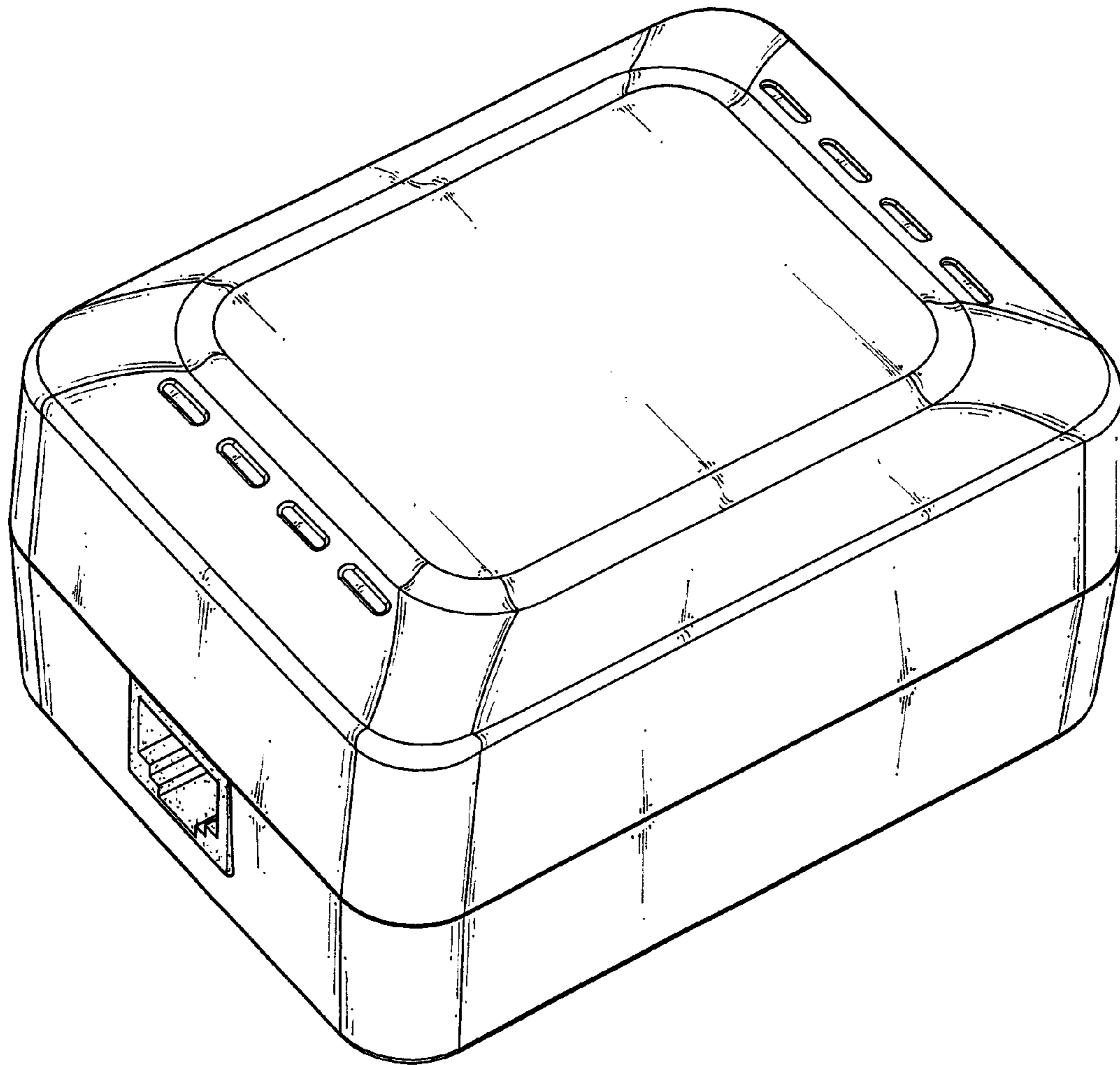


FIG. 1

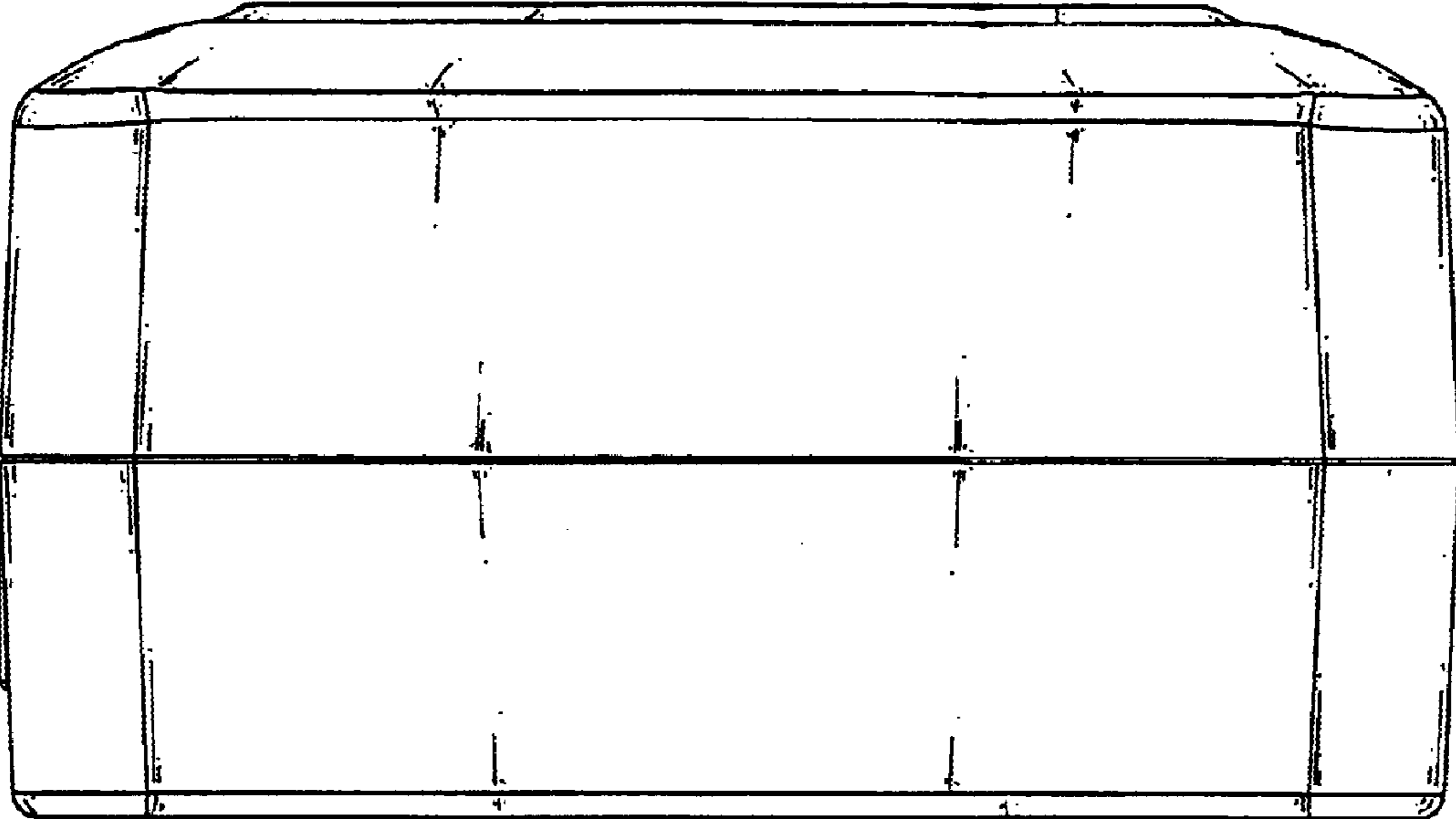


FIG. 2

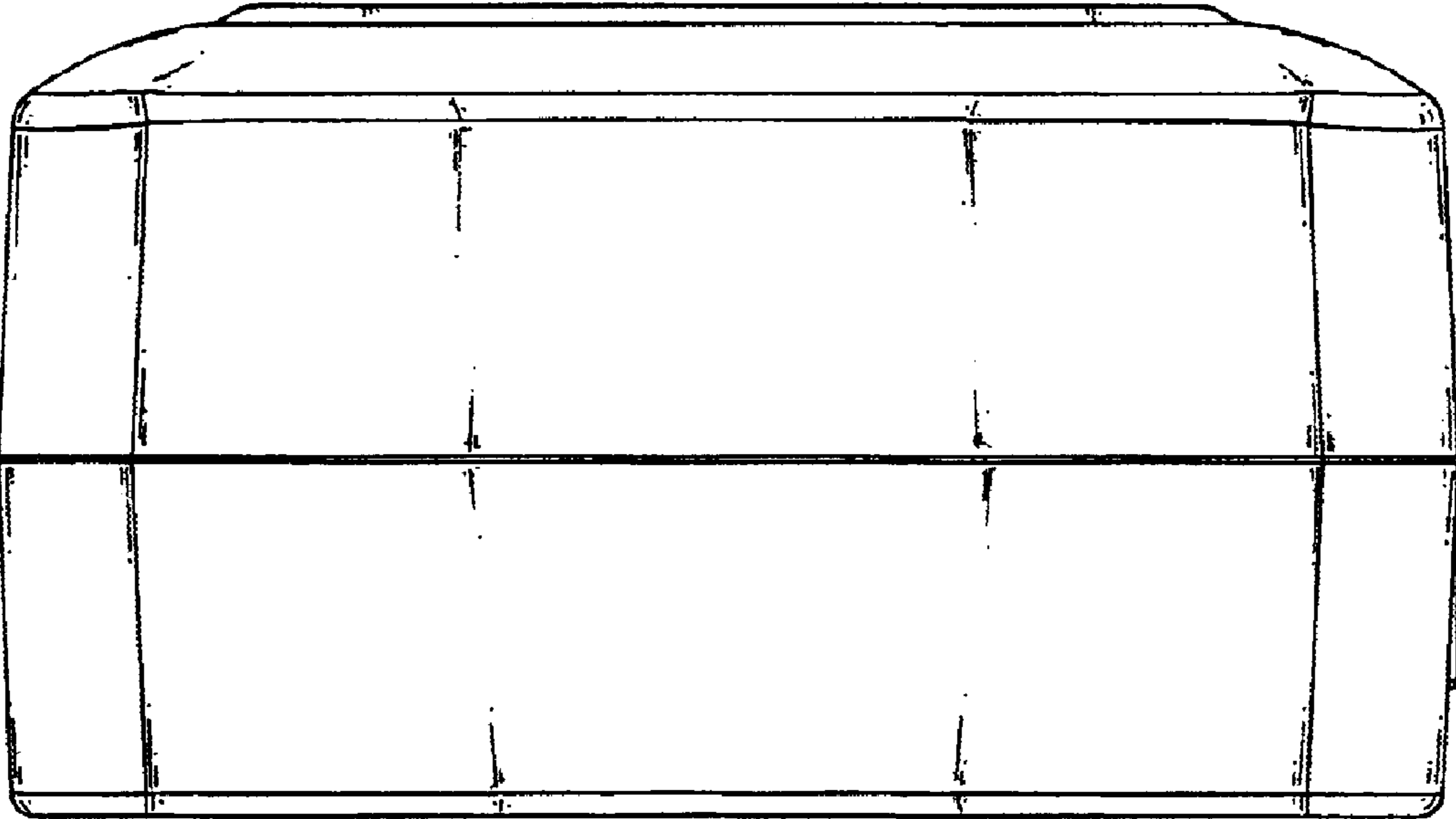


FIG. 3

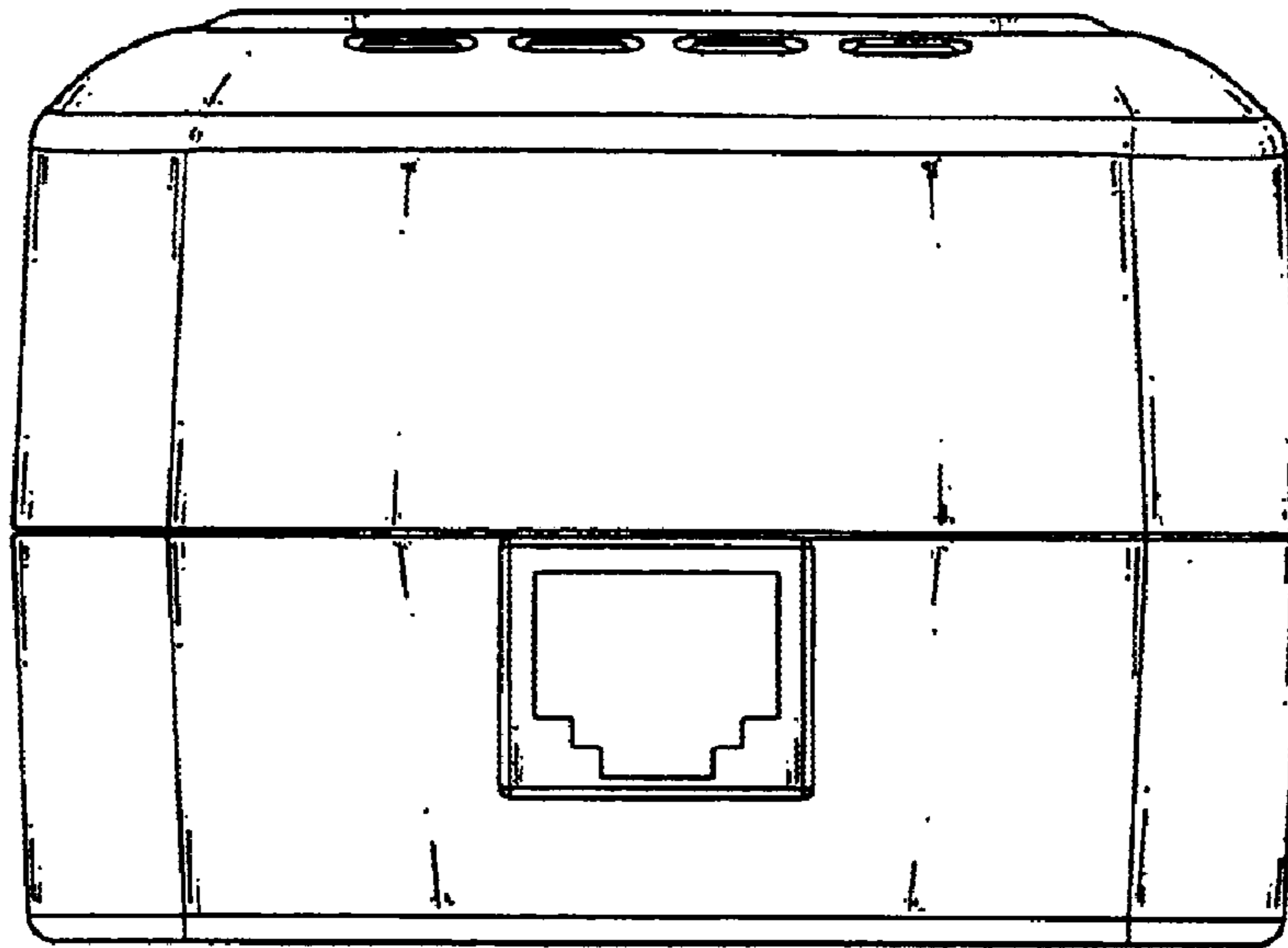


FIG. 4

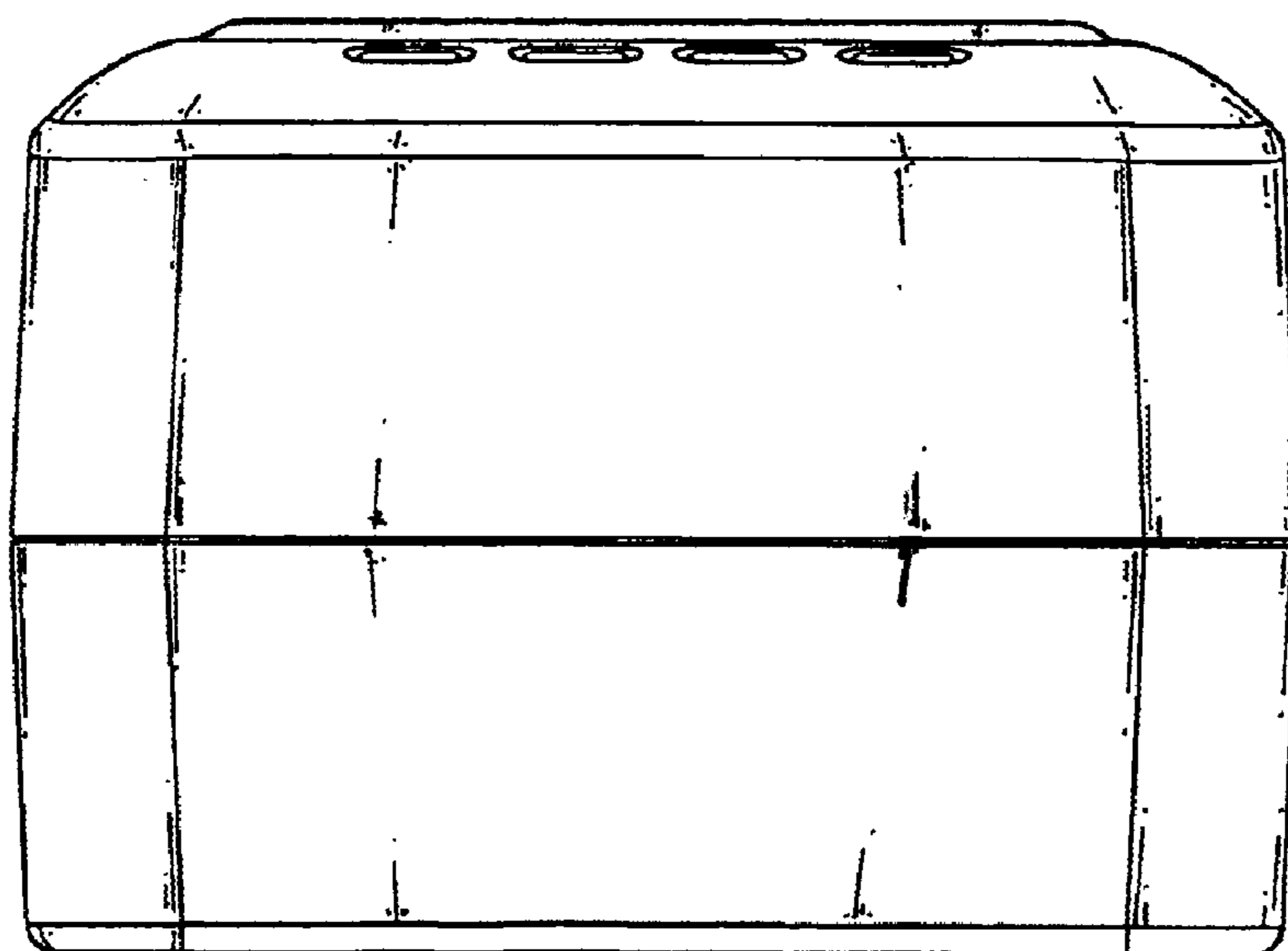


FIG. 5

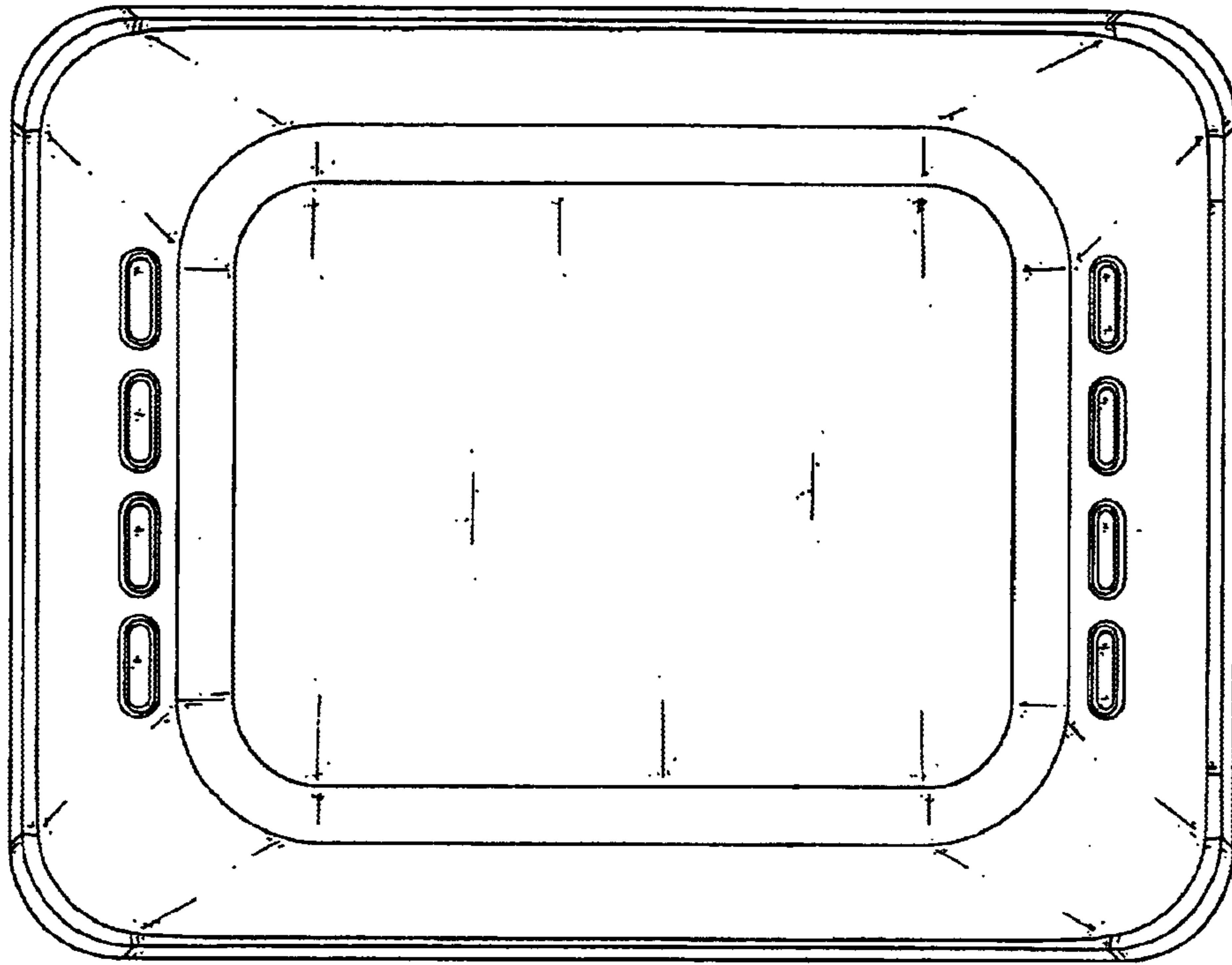


FIG. 6

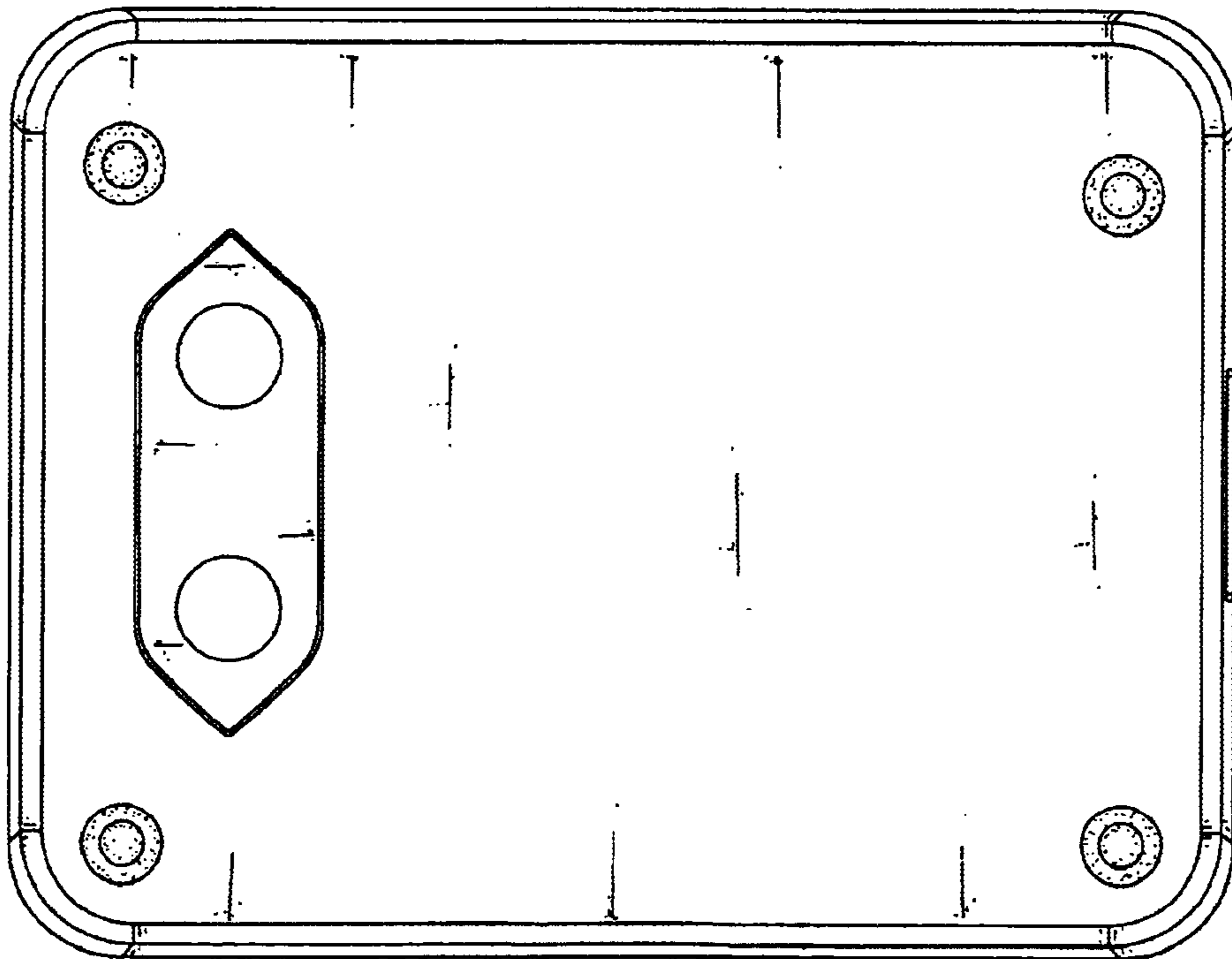


FIG. 7