



US00D509213S

(12) **United States Design Patent**  
**Hasbrook**

(10) **Patent No.:** **US D509,213 S**

(45) **Date of Patent:** **\*\* Sep. 6, 2005**

(54) **SPEAKER**

(75) **Inventor:** **William B. Hasbrook**, Portland, OR  
(US)

(73) **Assignee:** **Phoenix Gold International, Inc.**,  
Portland, OR (US)

(\*\*) **Term:** **14 Years**

(21) **Appl. No.:** **29/197,010**

(22) **Filed:** **Jan. 6, 2004**

(51) **LOC (8) Cl.** ..... **14-01**

(52) **U.S. Cl.** ..... **D14/221**

(58) **Field of Search** ..... D14/204, 207,  
D14/209–216, 219–222; 181/143–144,  
147–148, 150, 157, 198–199, 151, 153;  
381/300–302, 306, 333, 345, 361–364,  
386–388, 332, 336

(56) **References Cited**

**U.S. PATENT DOCUMENTS**

D244,698 S \* 6/1977 Babb ..... D14/222  
D265,086 S \* 6/1982 Kawachi ..... D14/216

D465,478 S \* 11/2002 Tanaka ..... D14/221  
D465,779 S \* 11/2002 Solland ..... D14/219  
D465,780 S 11/2002 Shindo  
D467,906 S 12/2002 Sadatsuki  
D472,545 S 4/2003 Iijima et al.

\* cited by examiner

*Primary Examiner*—Nanda Bondade

(74) *Attorney, Agent, or Firm*—Klarquist Sparkman, LLP

(57) **CLAIM**

The ornamental design for a speaker, as shown and described.

**DESCRIPTION**

FIG. 1 is a front perspective view of a speaker showing my new design;

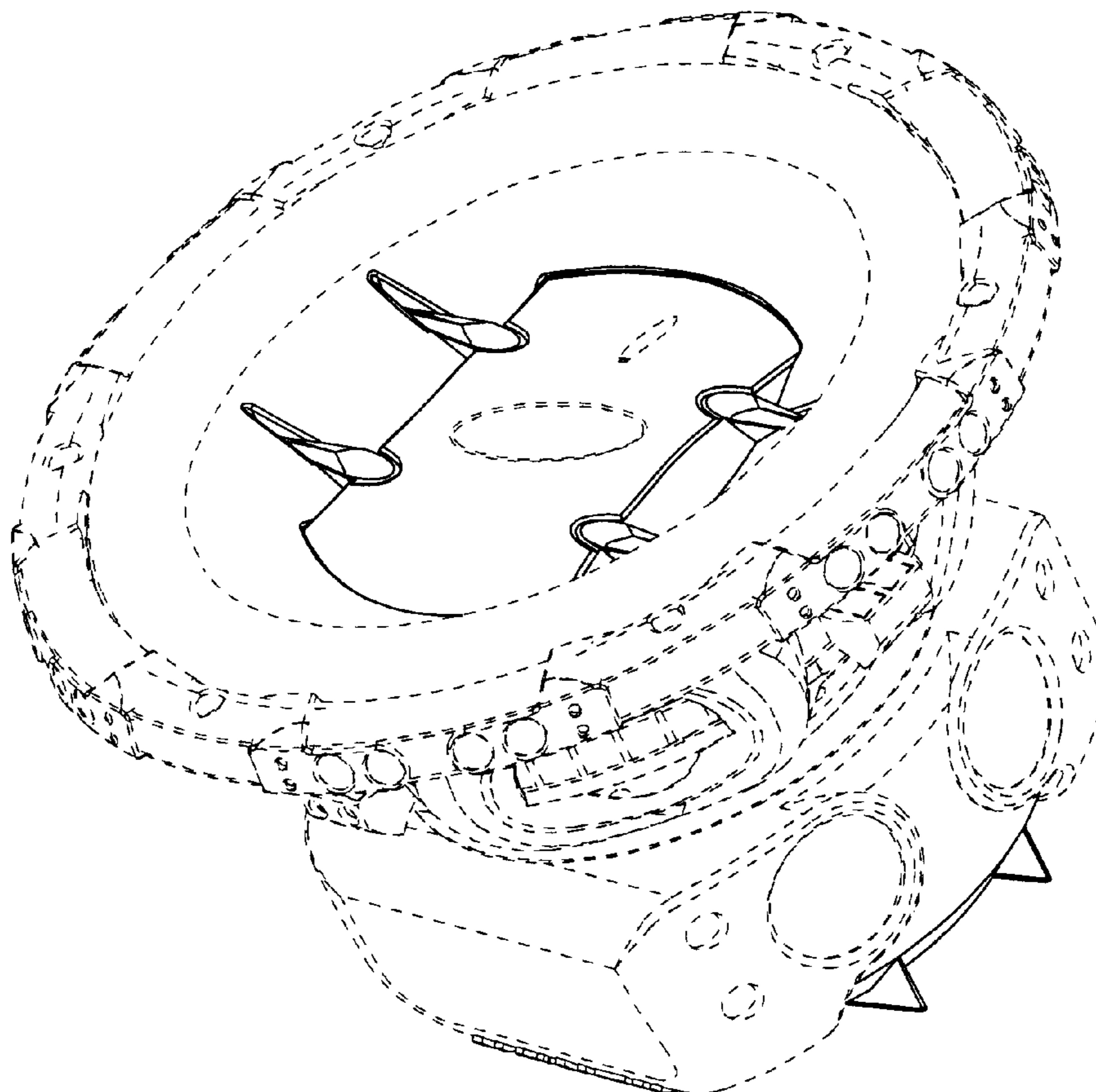
FIG. 2 is bottom perspective view thereof;

FIG. 3 is a front elevational view thereof; and,

FIG. 4 is a rear elevational view thereof.

The broken lines illustrated in the figures are not part of the design sought to be patented and are shown to illustrate the environment related to the claimed design.

**1 Claim, 2 Drawing Sheets**



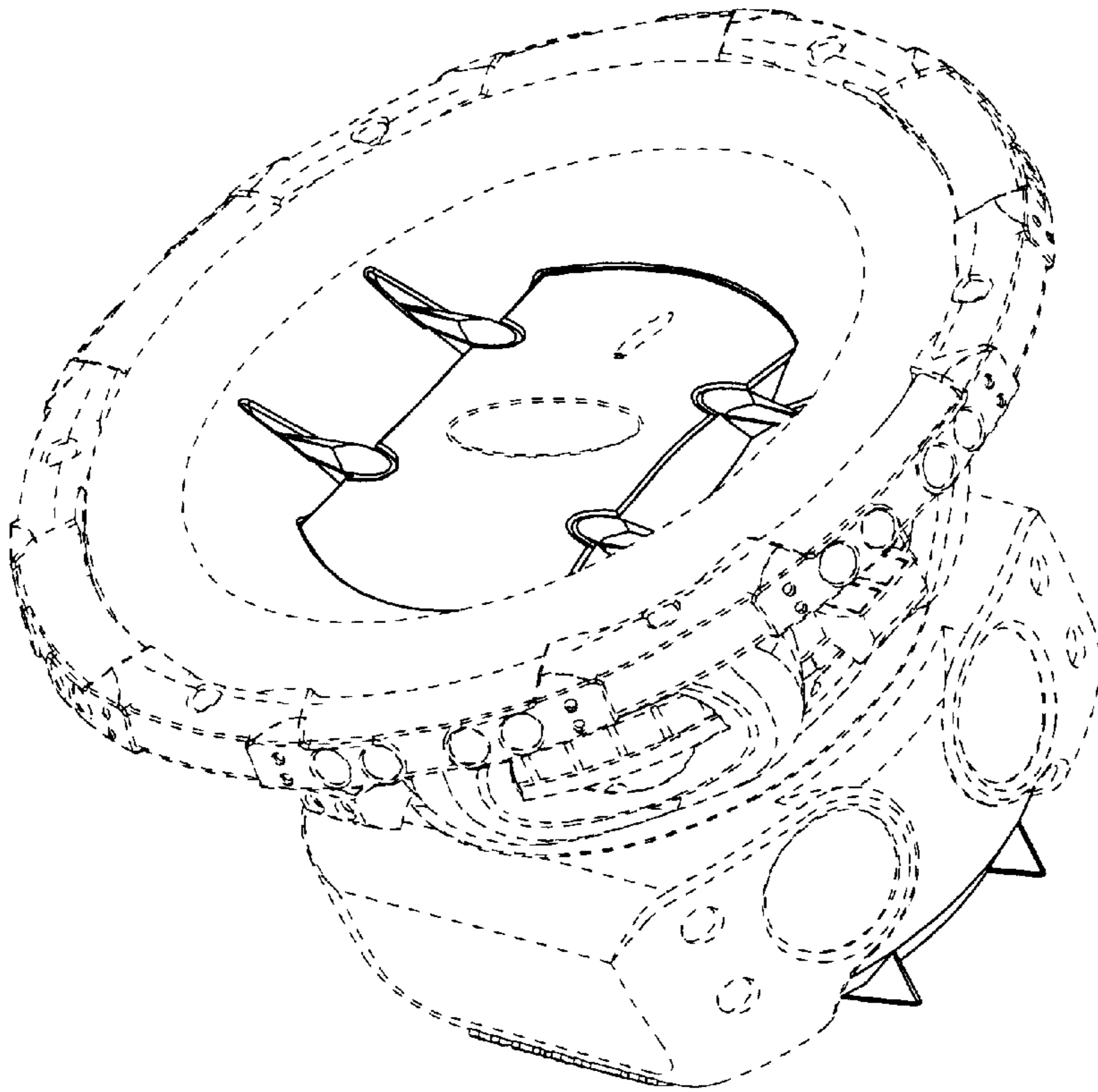


FIG. 1

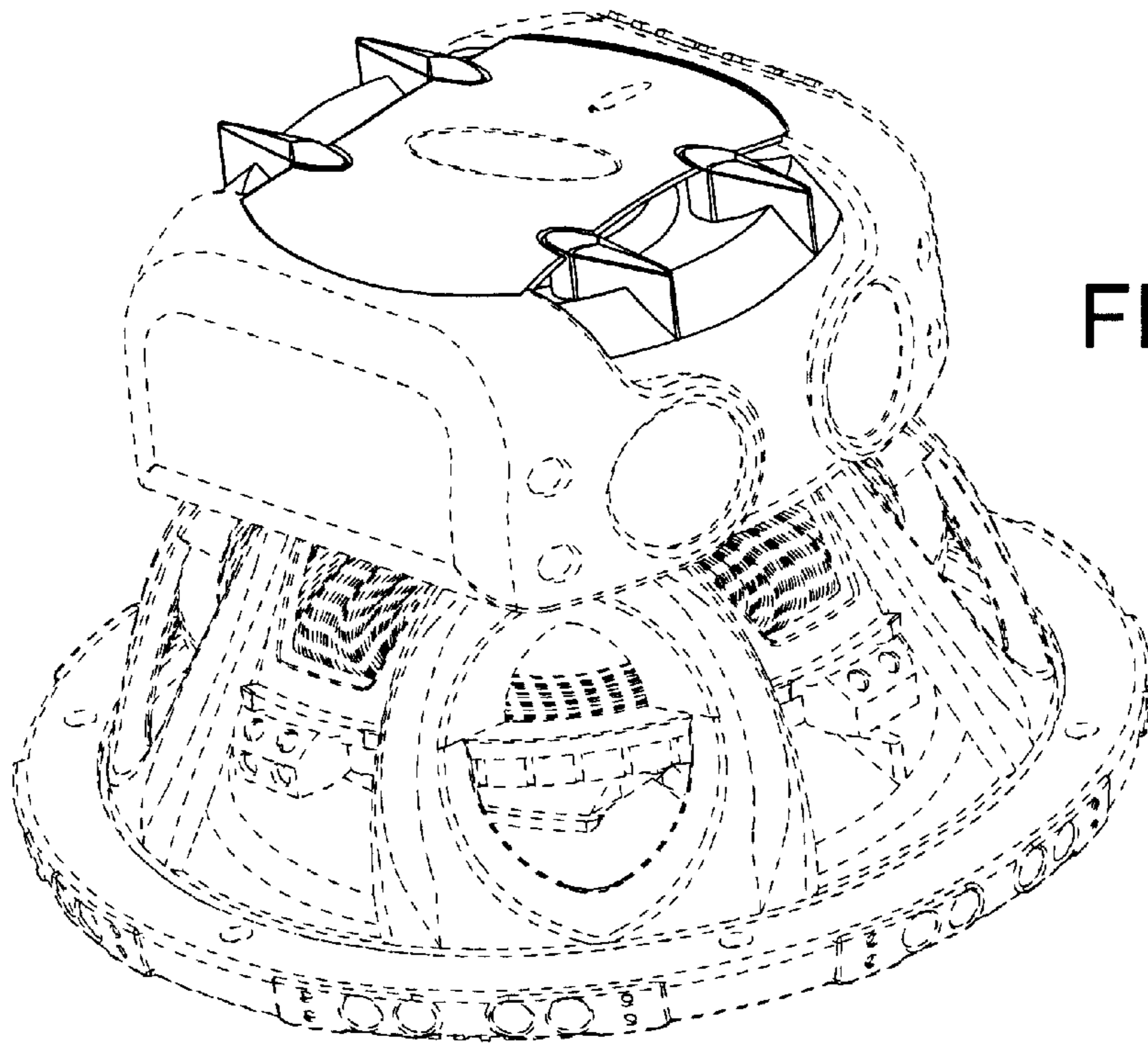


FIG. 2

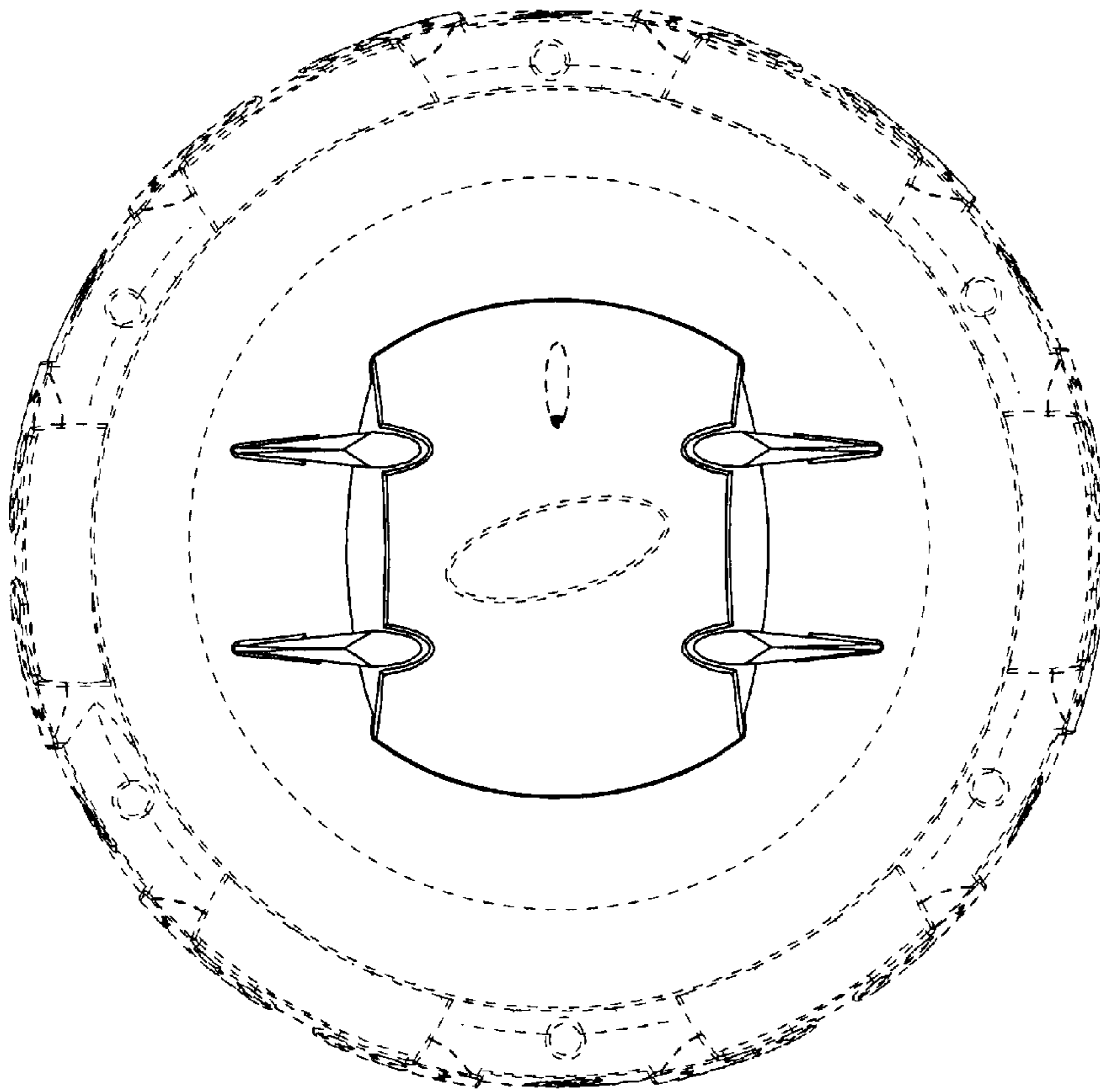


FIG. 3

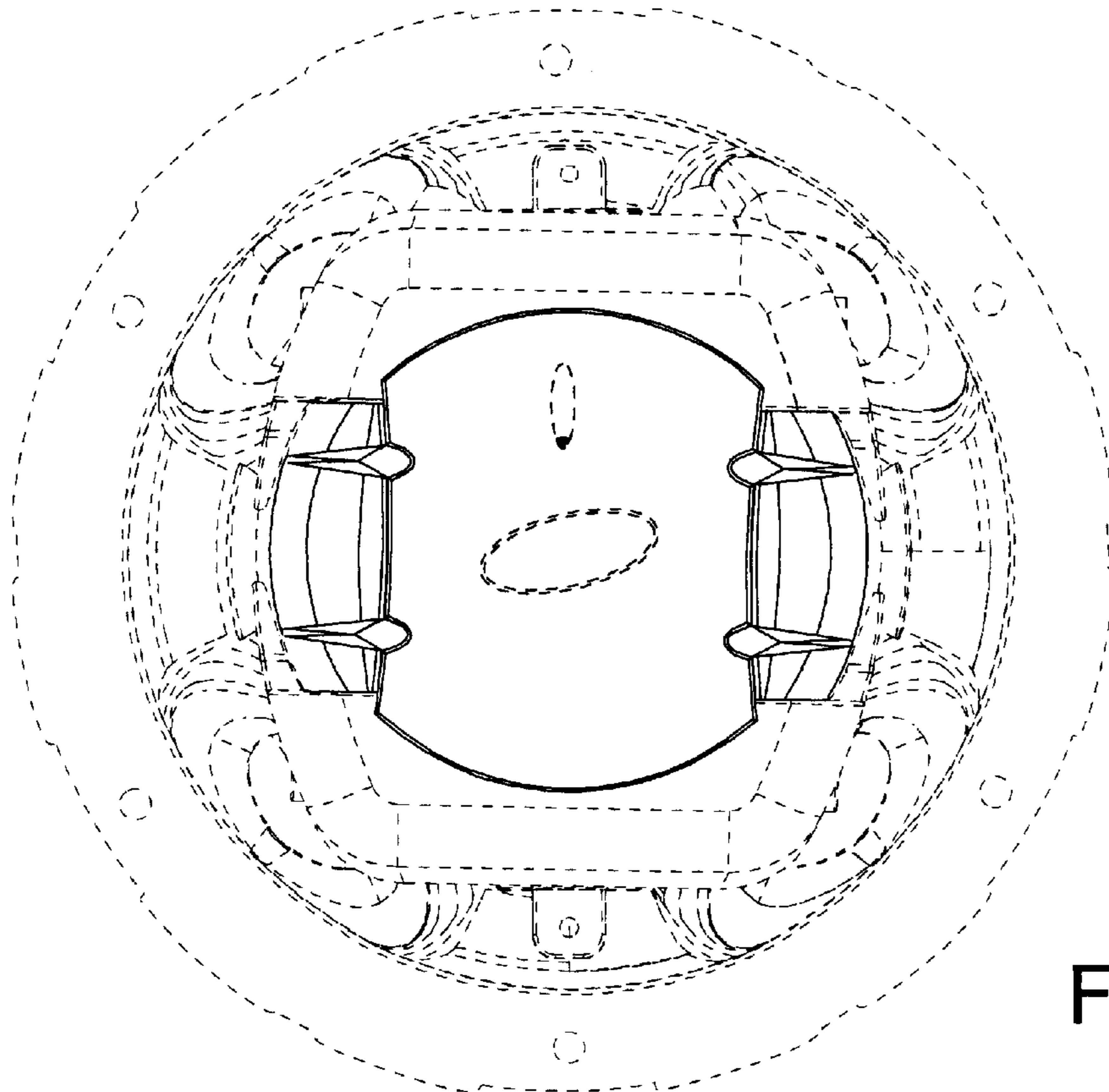


FIG. 4