

US00D509210S

(12) **United States Design Patent**  
**Skulley et al.**

(10) **Patent No.:** **US D509,210 S**  
(45) **Date of Patent:** **\*\* Sep. 6, 2005**

- (54) **COMMUNICATIONS HEADSET**
- (75) Inventors: **Gerald W. Skulley**, Aptos, CA (US);  
**Larry R. Linville**, Santa Cruz, CA (US)
- (73) Assignee: **Plantronics, Inc.**, Santa Cruz, CA (US)
- (\*\*) Term: **14 Years**
- (21) Appl. No.: **29/211,650**
- (22) Filed: **Aug. 19, 2004**
- (51) **LOC (8) Cl.** ..... **14-01**
- (52) **U.S. Cl.** ..... **D14/205; D14/206**
- (58) **Field of Search** ..... D14/188, 192,  
D14/205, 206, 223; 379/430, 433; 181/129,  
130; 381/370, 376, 377, 378, 379, 380,  
381; 455/575.2; D24/174

- D492,667 S \* 7/2004 Skulley et al. .... D14/223
- D500,491 S \* 1/2005 Eroma et al. .... D14/205
- 6,868,284 B2 \* 3/2005 Bae ..... 455/575.2

\* cited by examiner

*Primary Examiner*—Paula A. Greene  
(74) *Attorney, Agent, or Firm*—Peter Hsieh

(57) **CLAIM**

The ornamental design for a communications headset, as shown and described.

**DESCRIPTION**

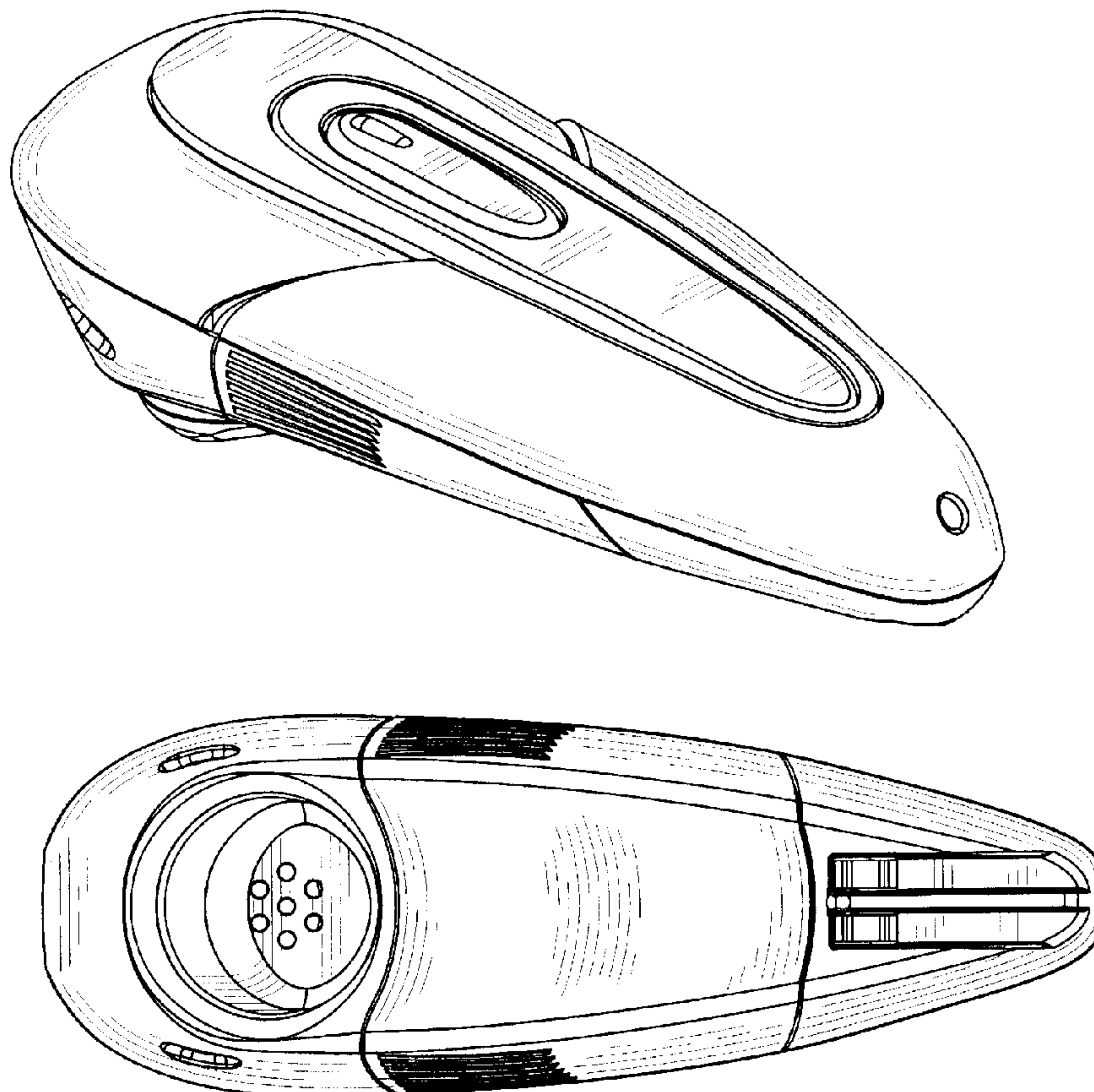
FIG. 1 is a lower front left perspective view of a communications headset.  
 FIG. 2 is a bottom plan view of the communications headset.  
 FIG. 3 is a top plan view of the communications headset.  
 FIG. 4 is a left side elevational view of the communications headset, the right side elevational view of the communications headset being a mirror image thereof.  
 FIG. 5 is a front elevational view of the communications headset; and,  
 FIG. 6 is a rear elevational view of the communications headset.

(56) **References Cited**

**U.S. PATENT DOCUMENTS**

- 4,720,857 A \* 1/1988 Burris et al. .... 379/430
- D460,960 S \* 7/2002 Kao ..... D14/223
- D471,898 S \* 3/2003 Bae ..... D14/223
- D479,834 S \* 9/2003 Salazar et al. .... D14/205

**1 Claim, 2 Drawing Sheets**



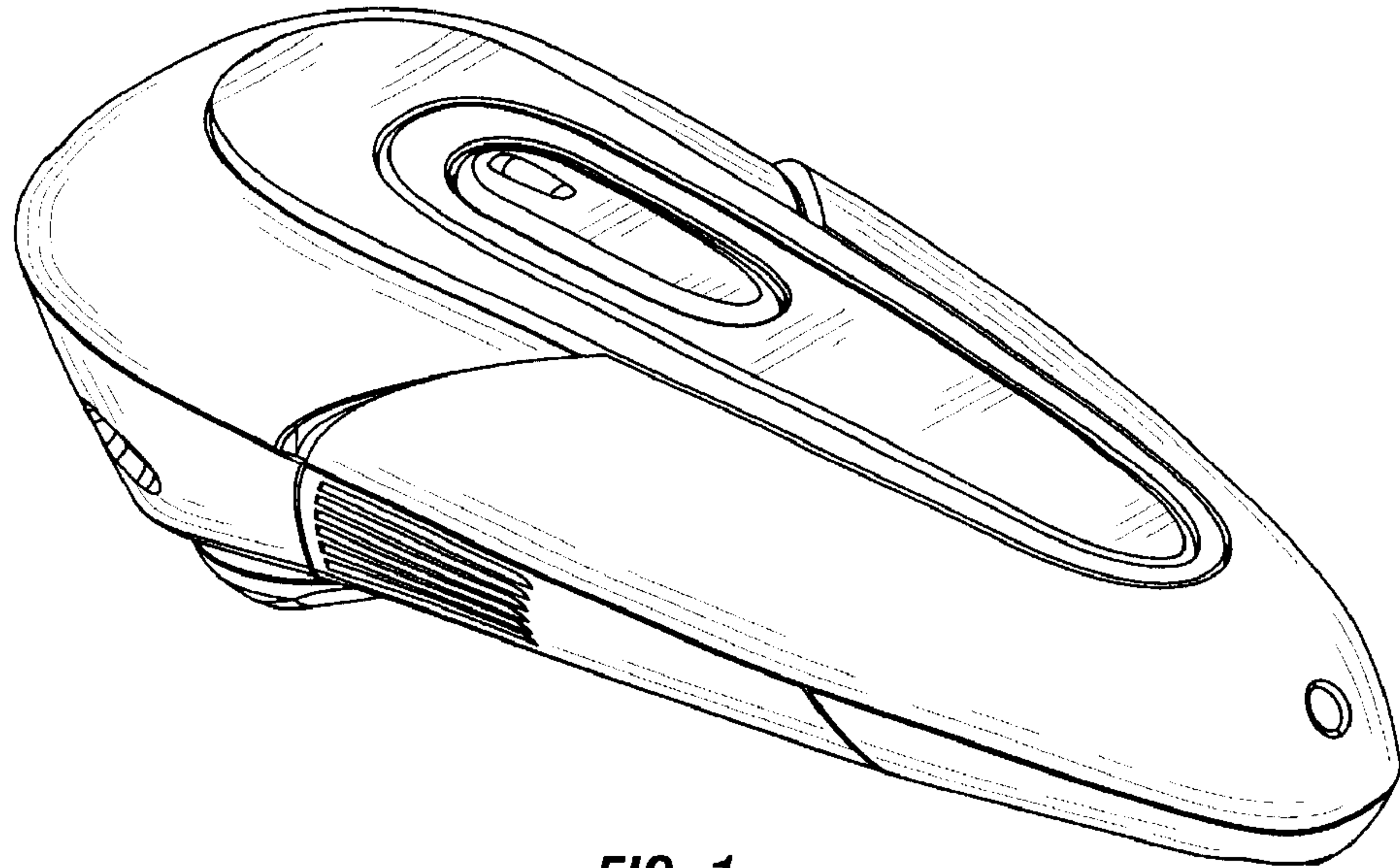


FIG. 1

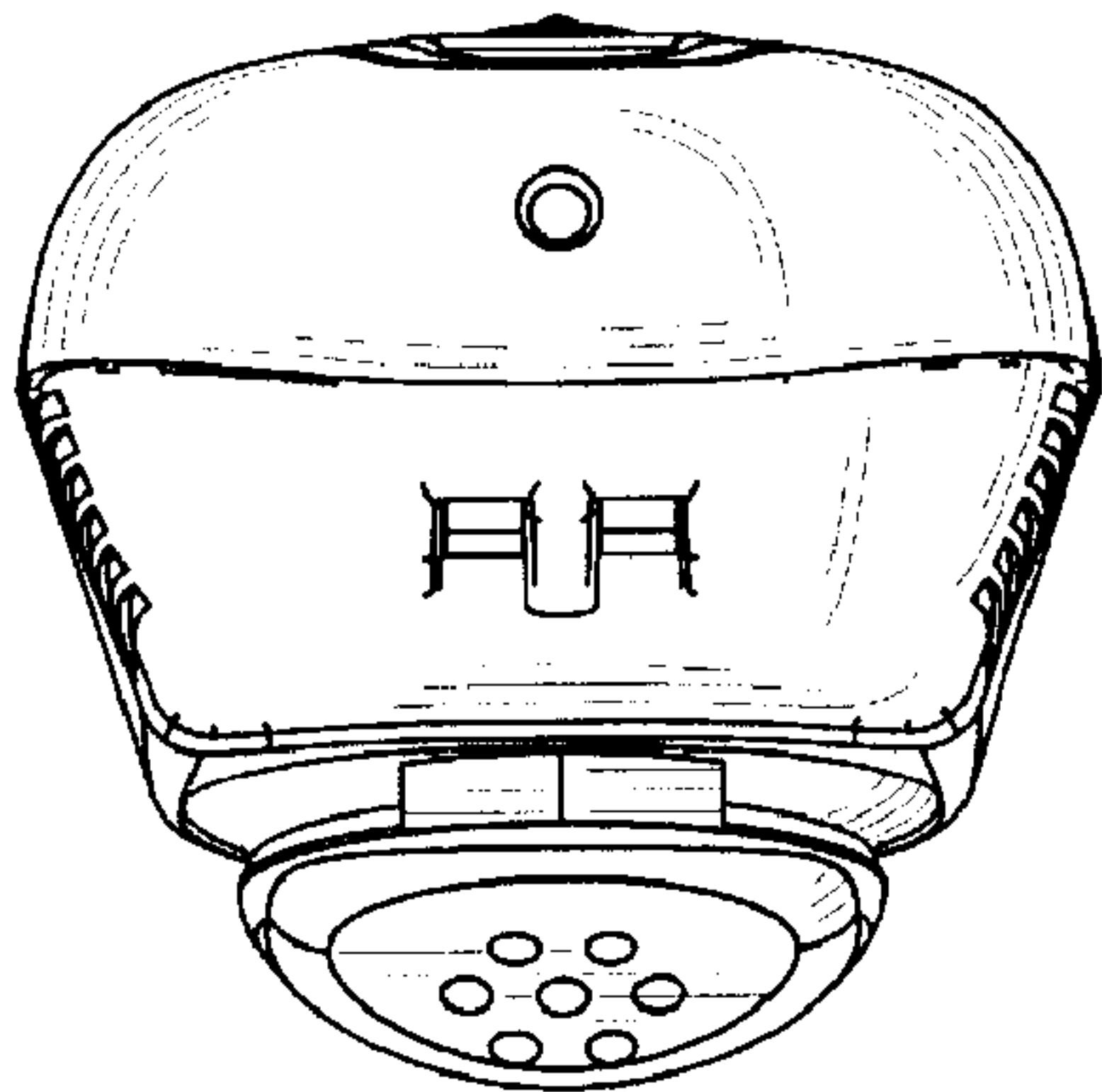


FIG. 2

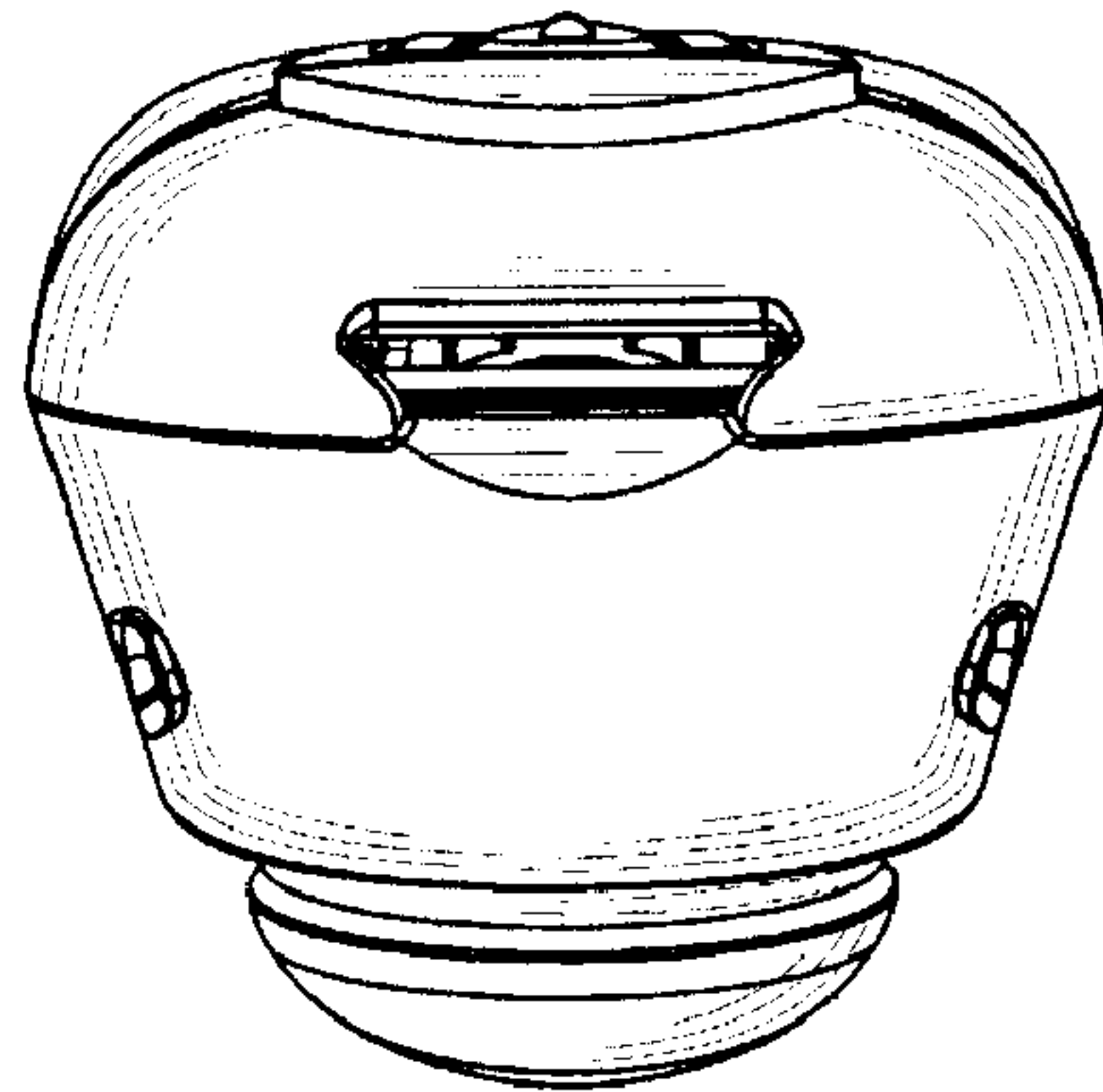


FIG. 3

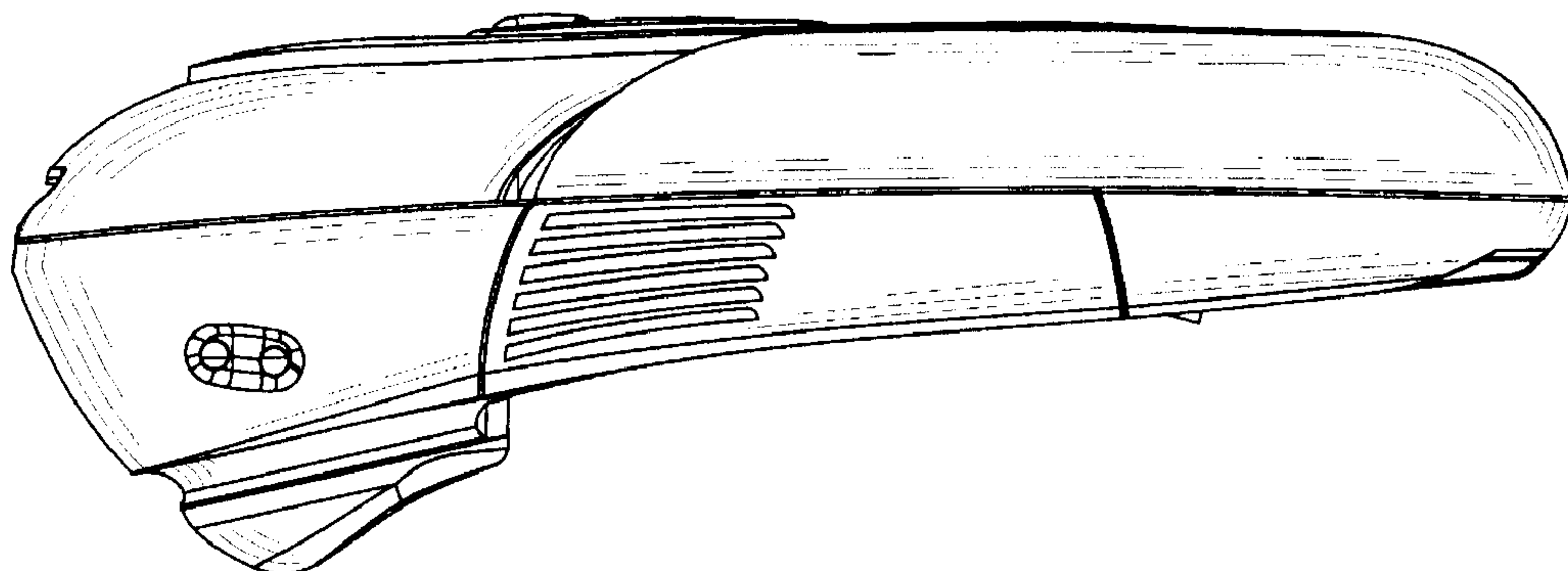


FIG. 4

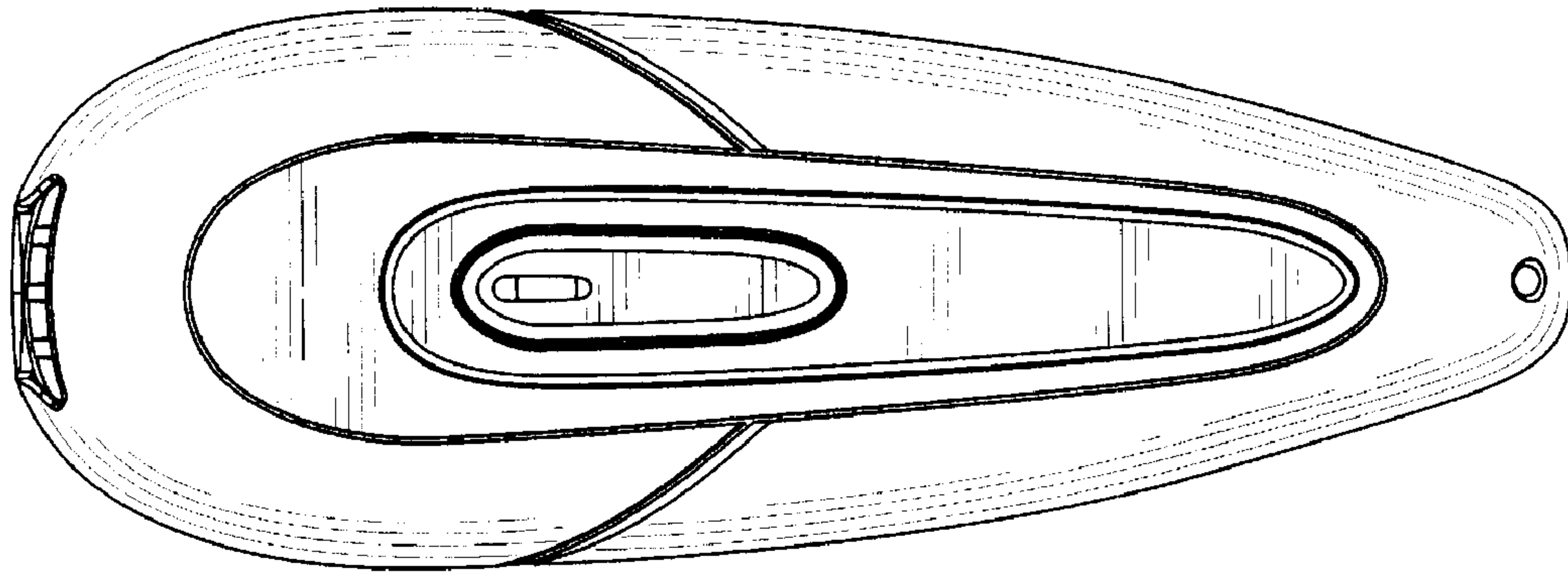


FIG. 5

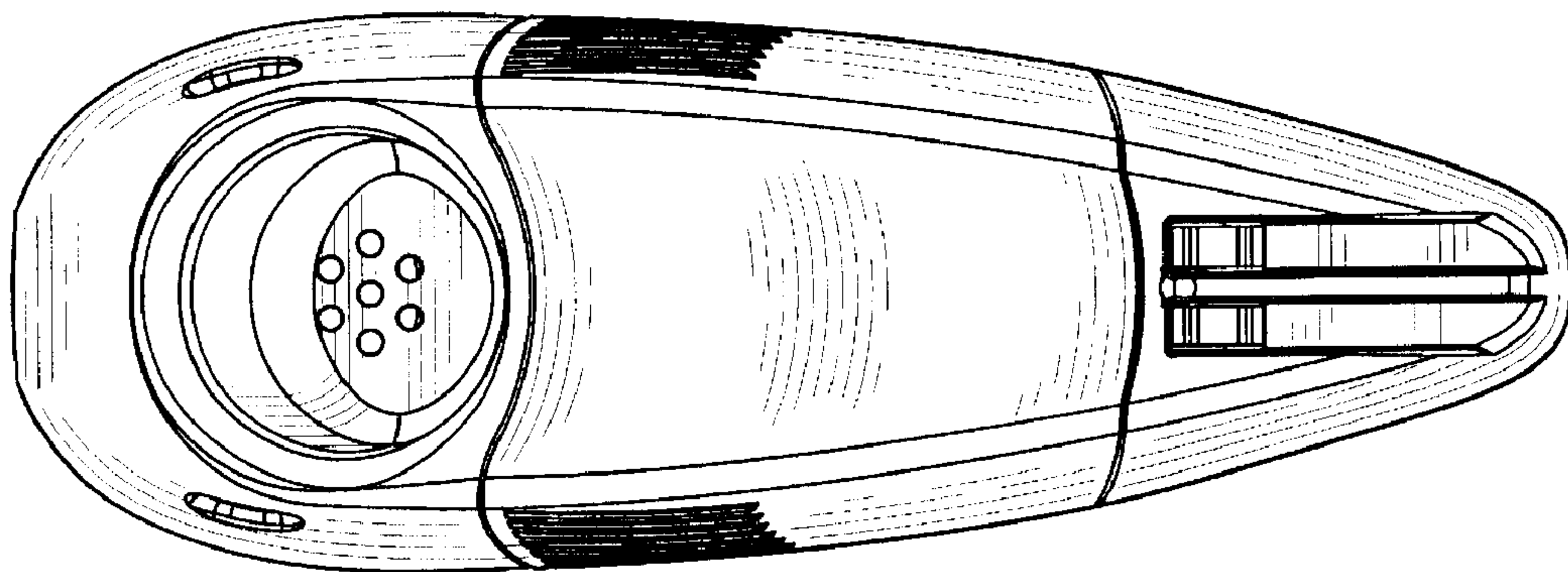


FIG. 6