

US00D509209S

(12) **United States Design Patent**
Hibino

(10) **Patent No.:** **US D509,209 S**
(45) **Date of Patent:** **** Sep. 6, 2005**

(54) **COMBINED DISC PLAYER, RADIO RECEIVER AND TAPE RECORDER**

Web page "UX-J99DVD-S" www.yodobashi.com, 1 sheet, Yodobashi Camera (Feb. 2004).

(75) Inventor: **Takuro Hibino**, Tokyo (JP)

* cited by examiner

(73) Assignee: **Sony Corporation**, Tokyo (JP)

Primary Examiner—Nanda Bondade

(**) Term: **14 Years**

(74) *Attorney, Agent, or Firm*—Rader, Fishman & Grauer PLLC

(21) Appl. No.: **29/202,785**

(22) Filed: **Apr. 6, 2004**

(57) **CLAIM**

(51) **LOC (8) Cl.** **14-01**

The ornamental design for a combined disc player, radio receiver and tape recorder, as shown.

(52) **U.S. Cl.** **D14/168**

(58) **Field of Search** D14/135-136,
D14/160-168, 188, 197-198, 156-157;
455/100, 344, 346-351, 157.1, 350; 369/75.1,
75.2, 77.2

DESCRIPTION

(56) **References Cited**

FIG. 1 is a front right top perspective view of a combined disc player, radio receiver and tape recorder showing my new design;

U.S. PATENT DOCUMENTS

FIG. 2 is a rear right top perspective view thereof;

D339,345 S	*	9/1993	Fuke	D14/168
D425,891 S		5/2000	Matsuoka		
D452,853 S		1/2002	Narita		
D455,415 S	*	4/2002	Suzuki	D14/168
D467,569 S		12/2002	Kobayashi		
D473,206 S	*	4/2003	Sasago et al.	D14/168

FIG. 3 is a front elevational view thereof;

FIG. 4 is a rear elevational view thereof;

OTHER PUBLICATIONS

Web page "Boutique en ligne, CMT-EP515" 1 sheet, Sony (2004).

Web page "UX-Z11WMD-M" www.yodobashi.com, 1 sheet, Yodobashi Camera (Feb. 2004).

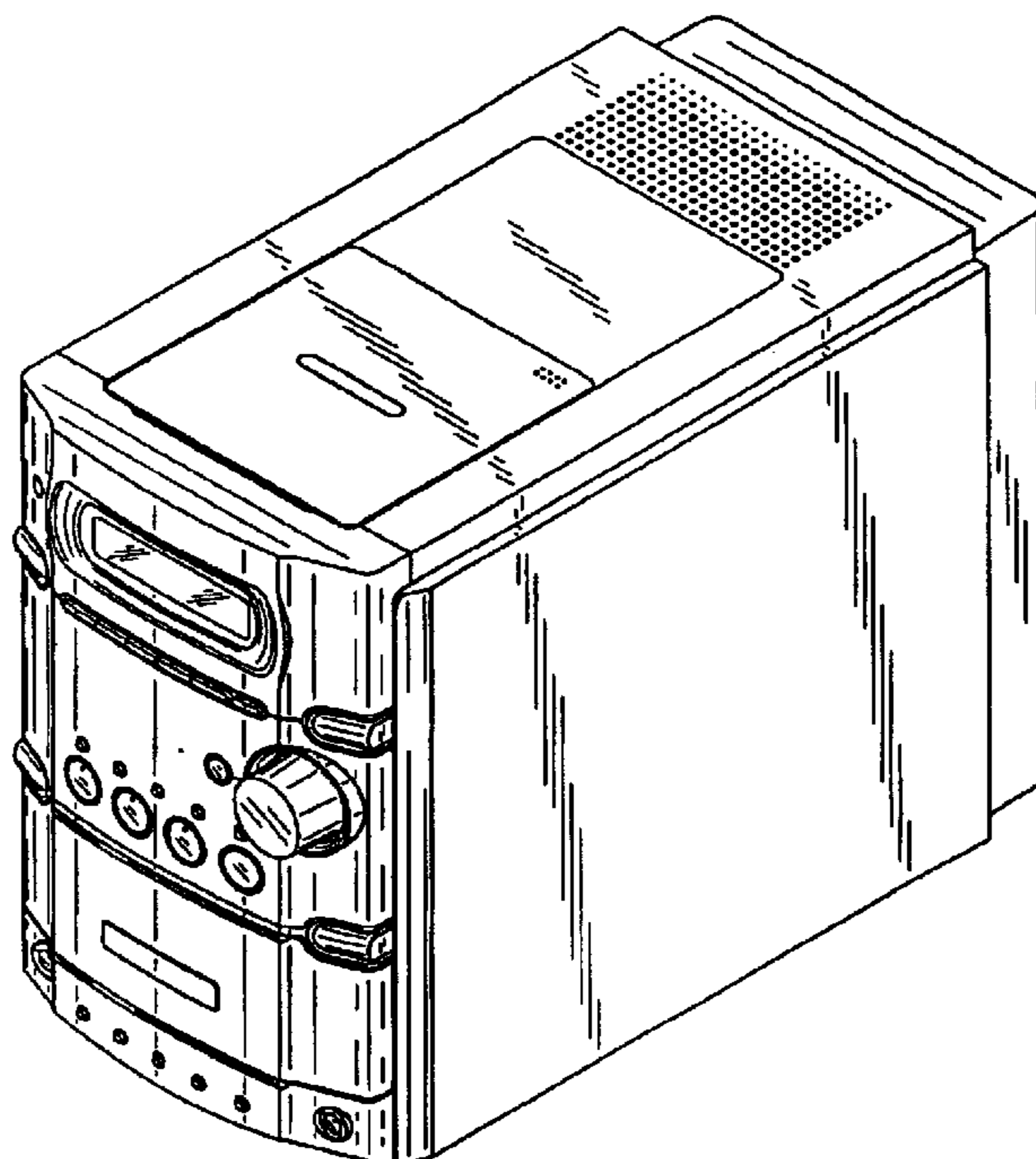
FIG. 5 is a left side elevational view thereof;

FIG. 6 is a right side elevational view thereof;

FIG. 7 is a top plan view thereof; and,

FIG. 8 is a bottom plan view thereof.

1 Claim, 4 Drawing Sheets



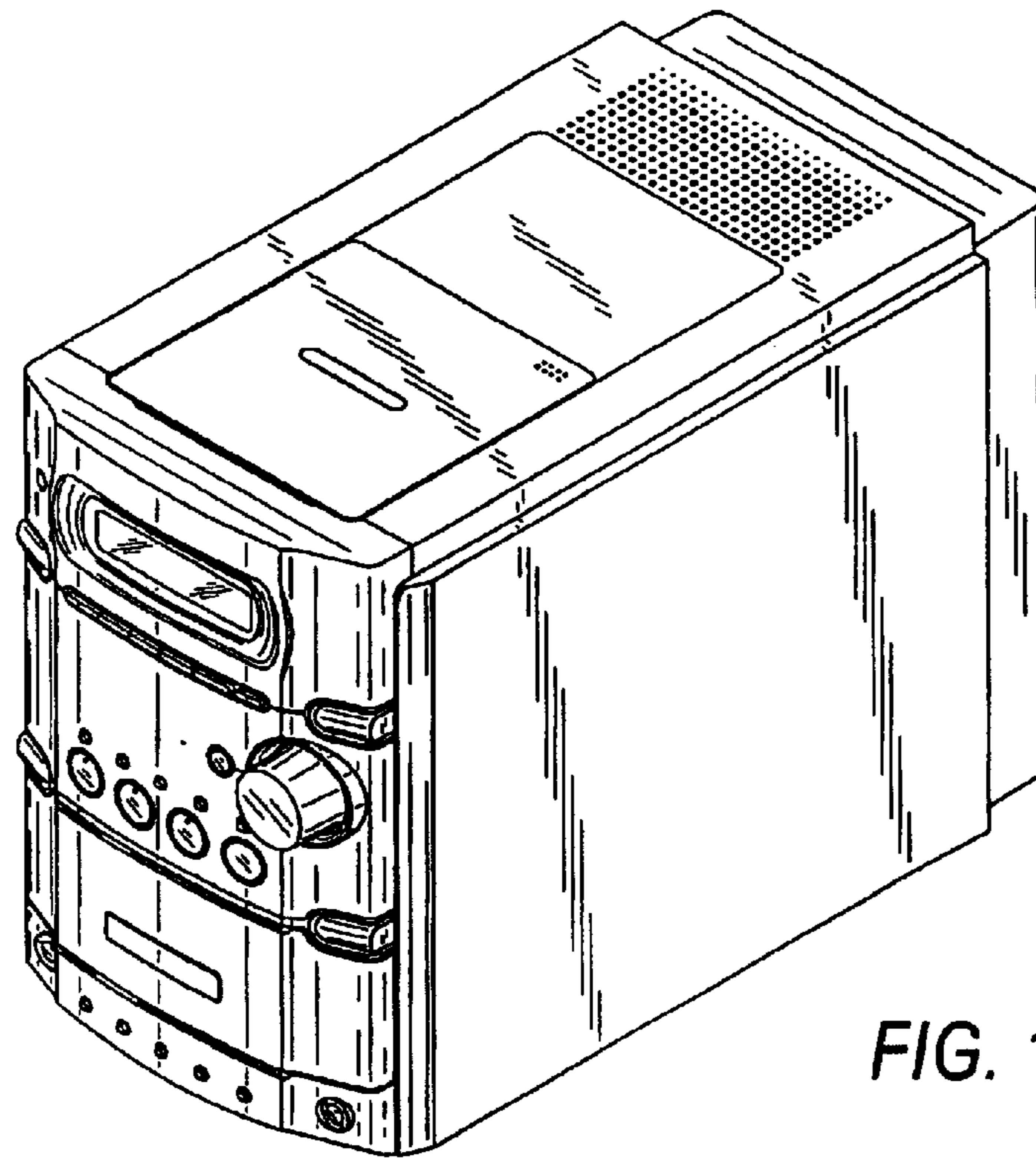


FIG. 1

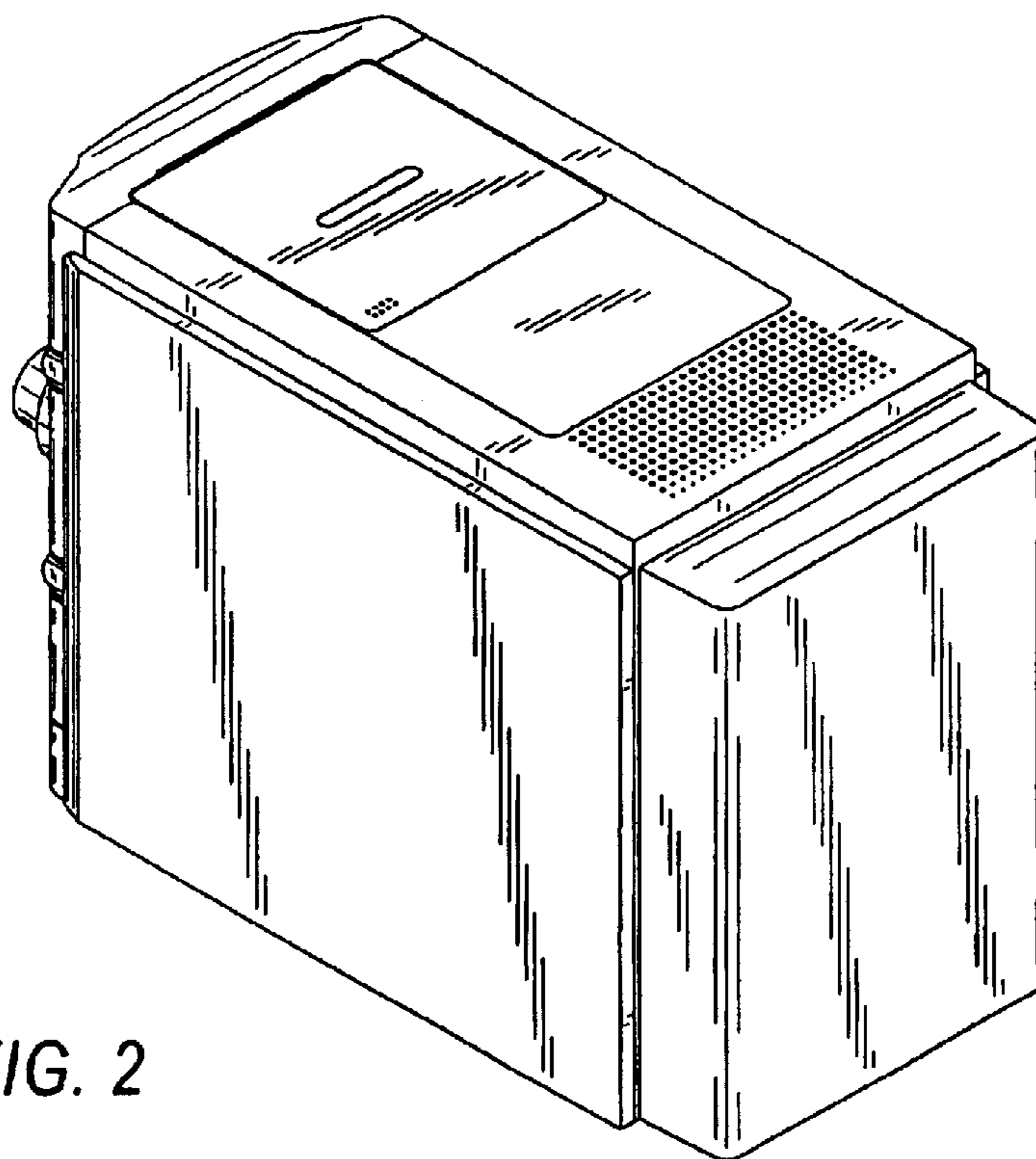


FIG. 2

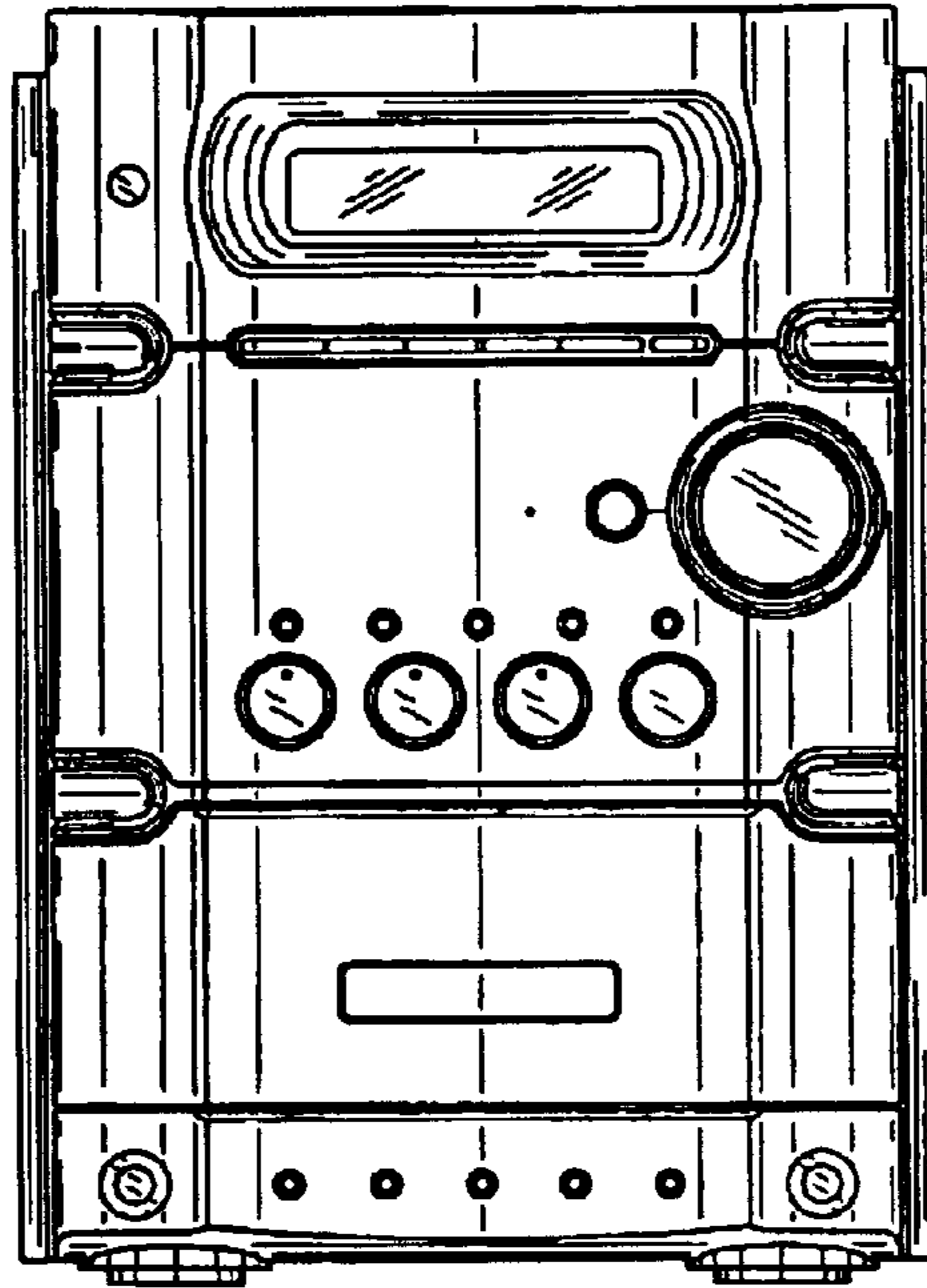


FIG. 3

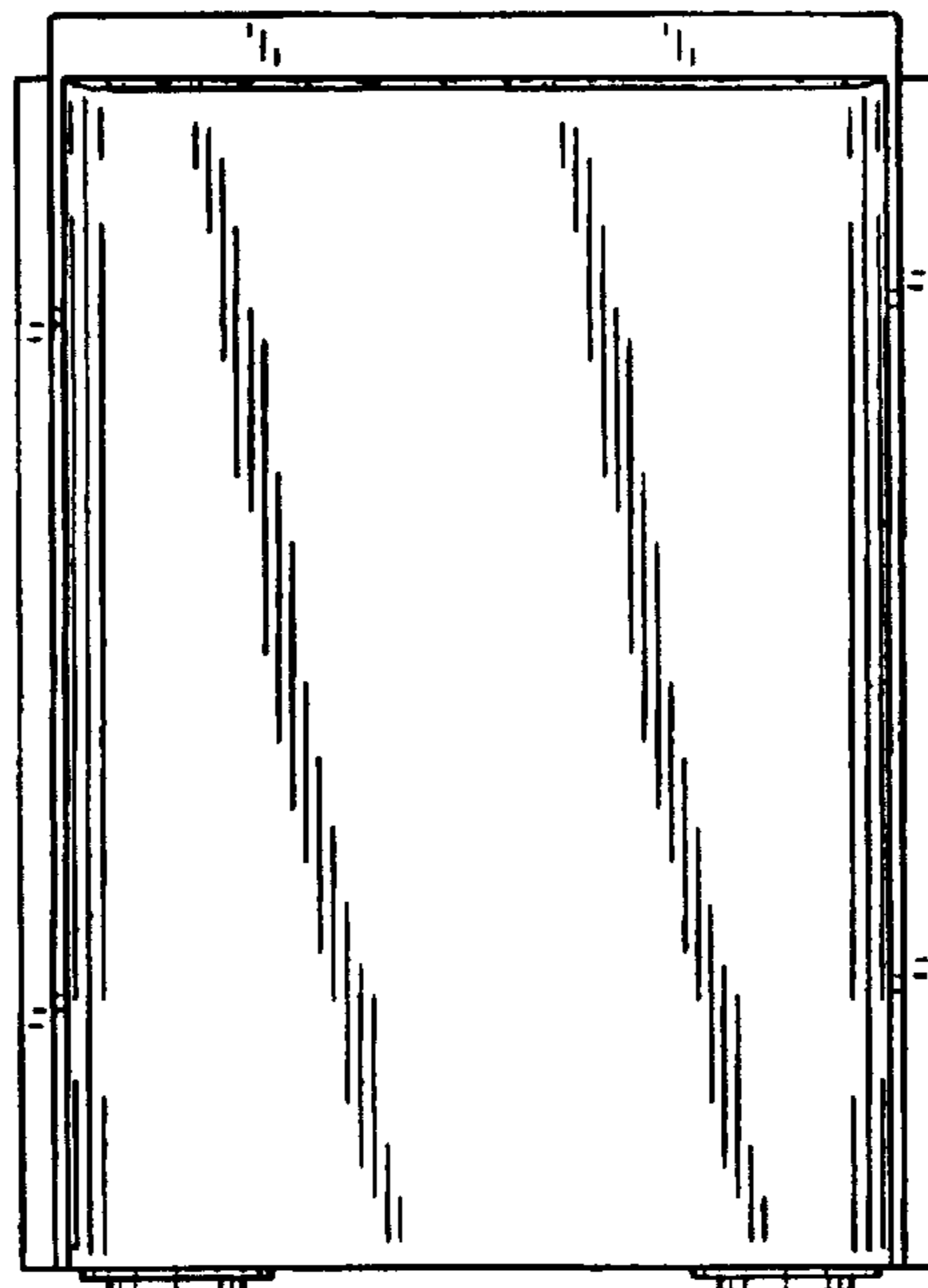


FIG. 4

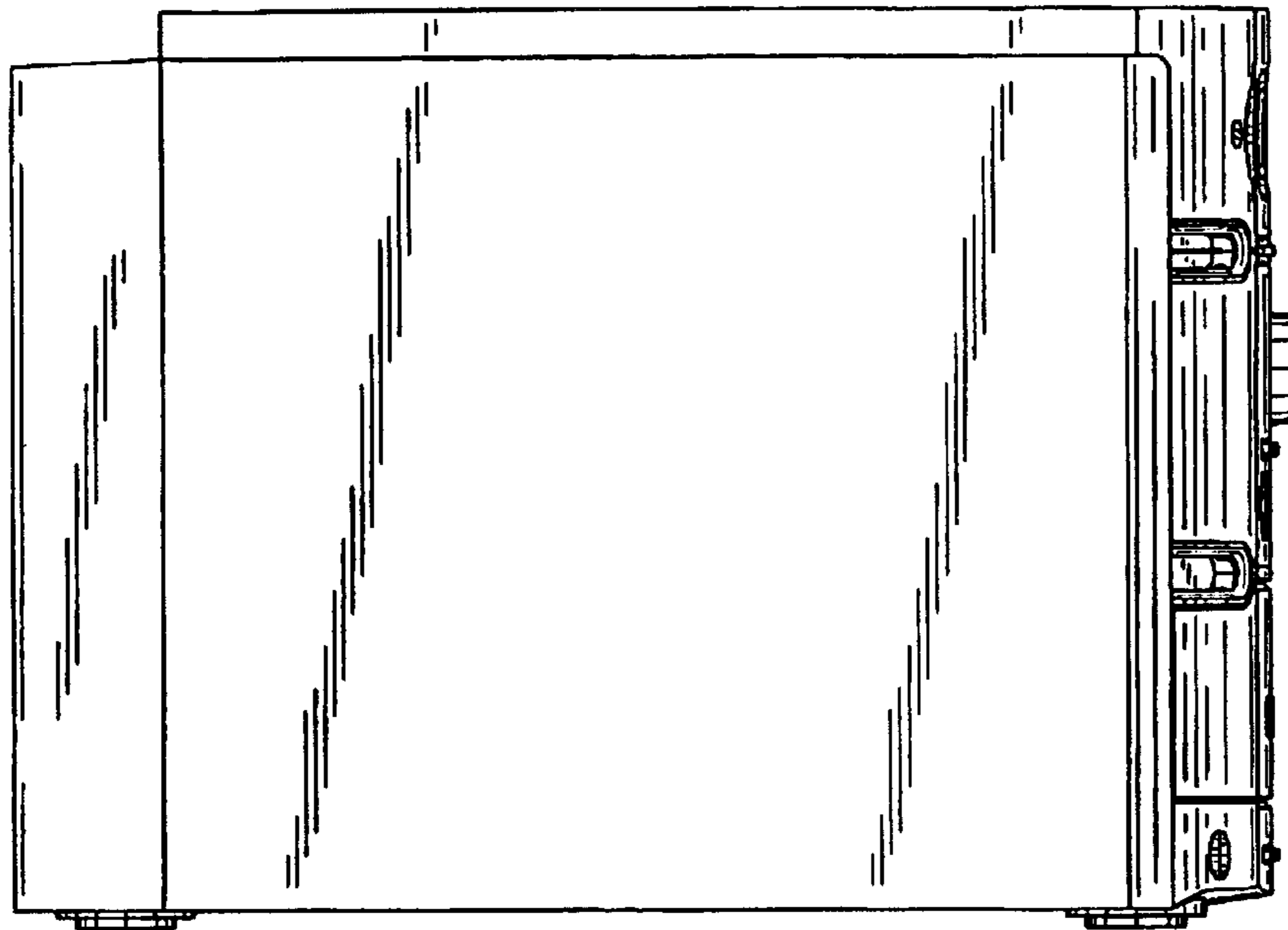


FIG. 5

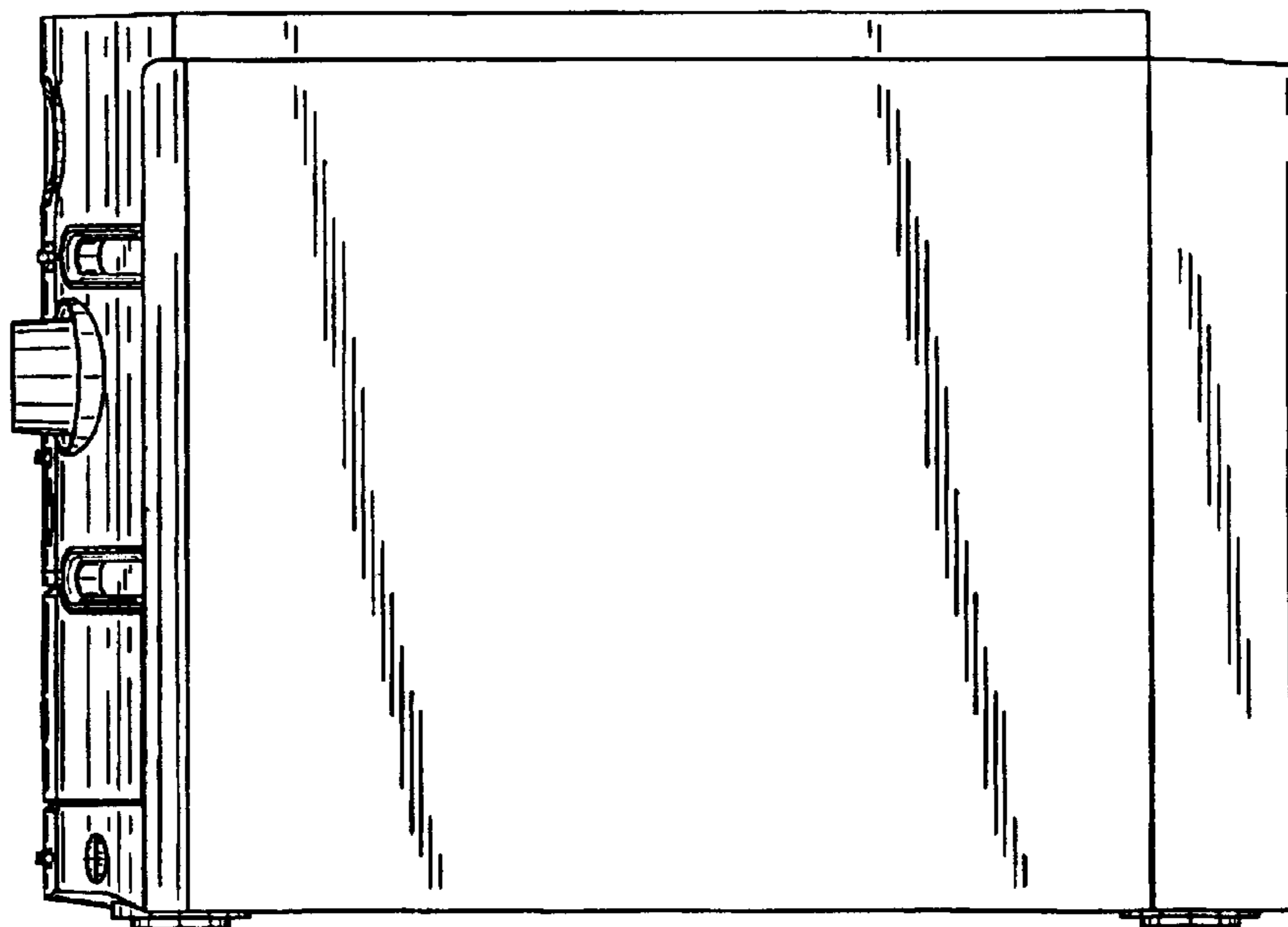


FIG. 6

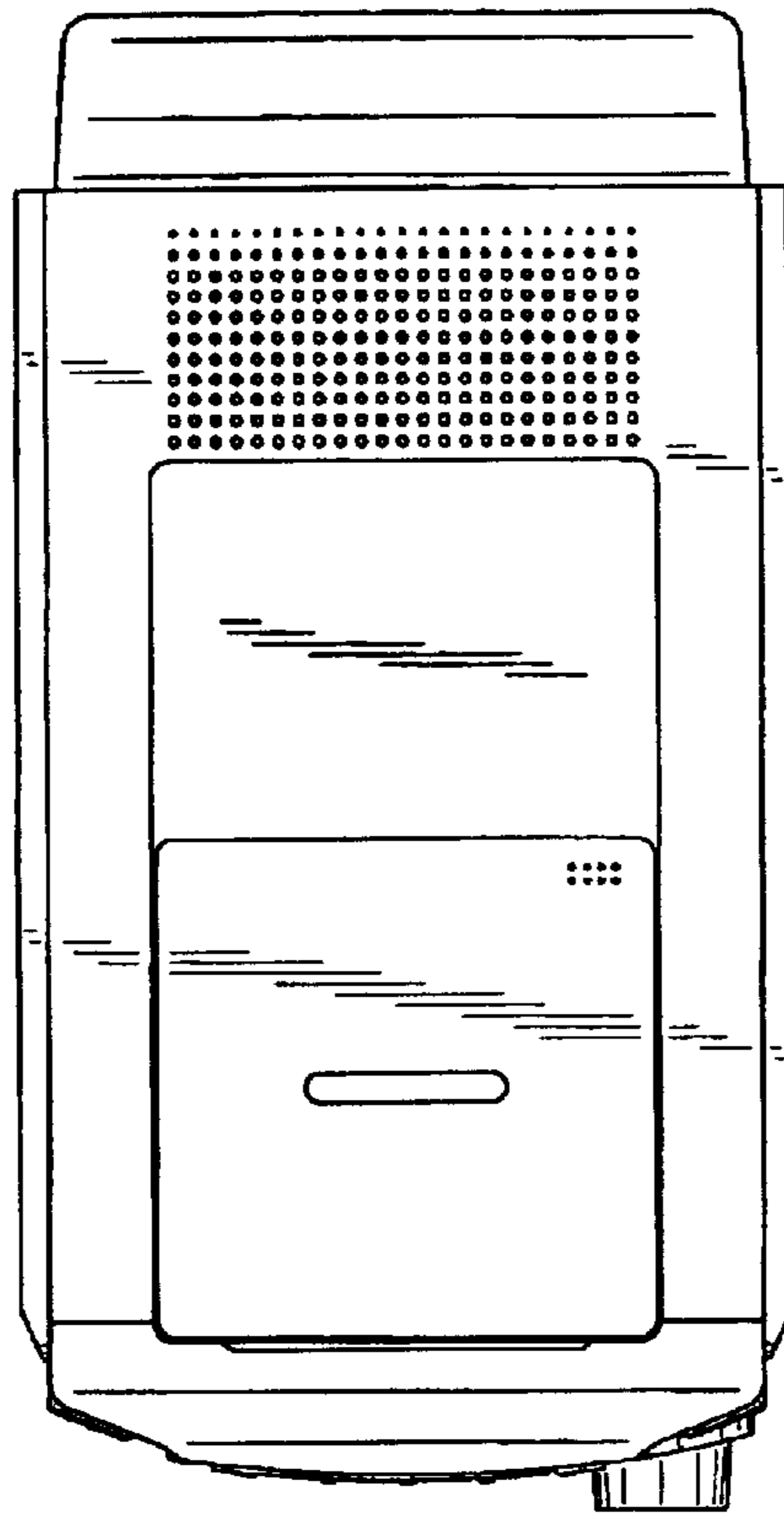


FIG. 7

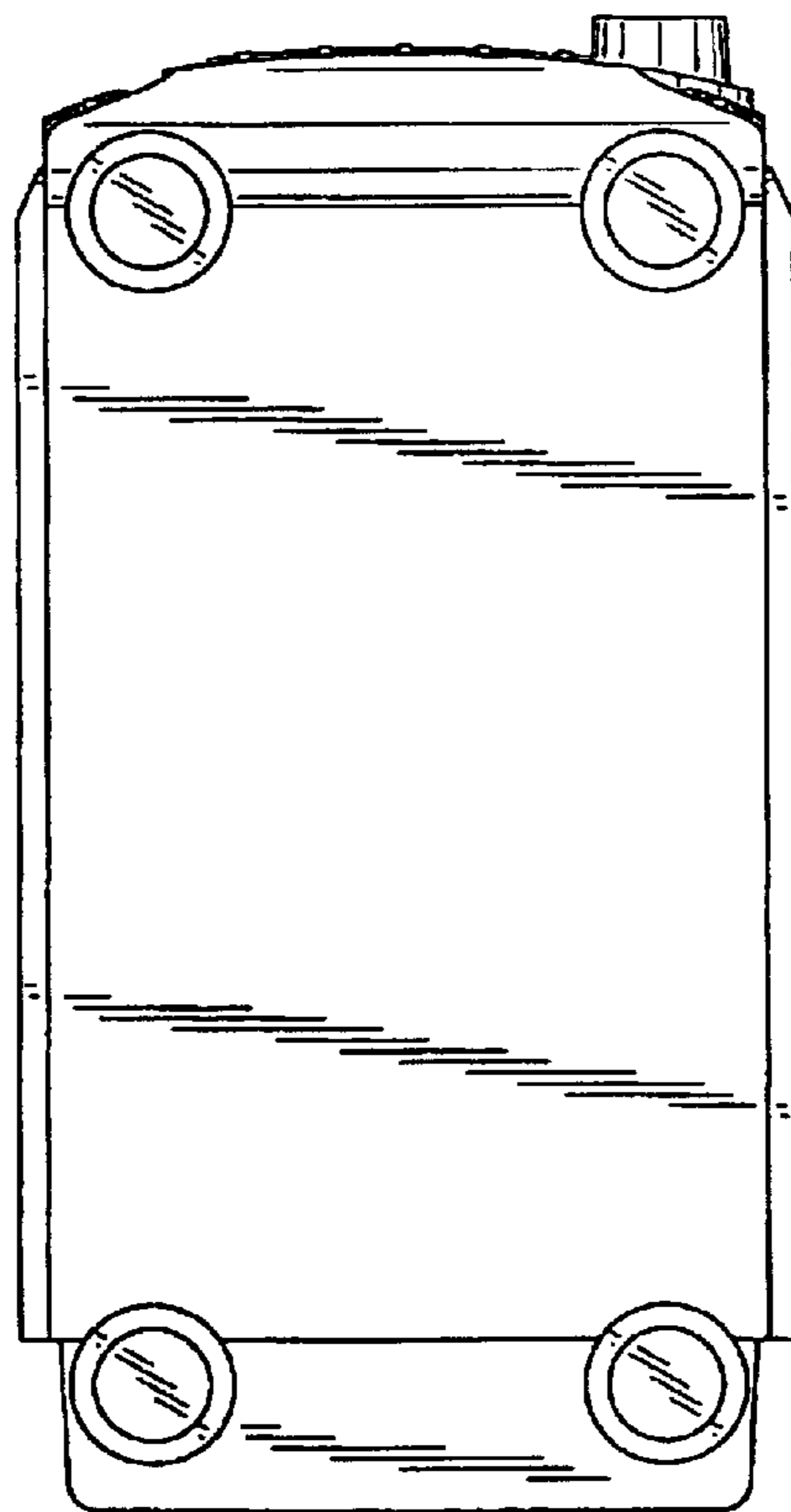


FIG. 8