

US00D509206S

(12) **United States Design Patent** (10) **Patent No.:** **US D509,206 S**
Jang (45) **Date of Patent:** **** Sep. 6, 2005**

(54) **MOBILE PHONE**

(75) Inventor: **In Won Jang**, Seoul (KR)

(73) Assignee: **LG Electronics Inc.**, Seoul (KR)

(**) Term: **14 Years**

(21) Appl. No.: **29/215,771**

(22) Filed: **Oct. 26, 2004**

(51) **LOC (8) Cl.** **14-03**

(52) **U.S. Cl.** **D14/138**

(58) **Field of Search** D14/137, 138,
D14/147-148, 247-248, 144, 341-347;
379/433.01-433.13, 434; 455/550.1-90.3,
575.4, 566, 575.1, 556.1, 556.2, 575.6;
D21/517; 345/169

(56) **References Cited**

U.S. PATENT DOCUMENTS

D432,511 S	*	10/2000	Eckholm	D14/138
D448,757 S	*	10/2001	Okubo	D14/218
D464,963 S	*	10/2002	Nishida	D14/346
D466,096 S	*	11/2002	Takada	D14/138
D469,367 S	*	1/2003	Mirabelli et al.	D10/65
D476,329 S	*	6/2003	Miao et al.	D14/346
D479,215 S	*	9/2003	Yokoyama	D14/138
D480,697 S	*	10/2003	Lee et al.	D14/138
D481,692 S	*	11/2003	Husgafvel	D14/138
D483,032 S	*	12/2003	Bertrand et al.	D14/248
D493,156 S	*	7/2004	Hamann et al.	D14/138
D493,457 S	*	7/2004	Hsu	D14/346
D495,310 S	*	8/2004	Husgafvel	D14/138
6,785,395 B1	*	8/2004	Arneson et al.	381/334
D496,644 S	*	9/2004	Yoo et al.	D14/138
D498,736 S	*	11/2004	Lee	D14/138
D498,737 S	*	11/2004	Park et al.	D14/138
6,822,871 B2	*	11/2004	Lee et al.	361/727
D501,475 S	*	2/2005	Kim	D14/346
D502,162 S	*	2/2005	Kim et al.	D14/138
2001/0036266 A1	*	11/2001	Gronroos et al.	379/433.01
2003/0064688 A1	*	4/2003	Mizuta et al.	455/90
2004/0242288 A1	*	12/2004	Balle et al.	455/575.1

2004/0259592 A1	*	12/2004	Taneya et al.	455/556.1
2004/0266477 A1	*	12/2004	Murata	455/556.1
2005/0009581 A1	*	1/2005	Im et al.	455/575.4

FOREIGN PATENT DOCUMENTS

JP	1086844	*	10/2000	
JP	1105439	*	4/2001	
JP	1120255	*	9/2001	
JP	1160810	*	12/2002	
JP	2003298699 A	*	10/2003 H04M/01/02

OTHER PUBLICATIONS

NTTDoCoMo SO505i, © 2003, showings from NTT DoCoMo visited Apr. 10, 2003 and www.mobileburn.com visited Sep. 28, 2004.*
www.mobiletechnews.com visited Sep. 28, 2004, Panasonic X-500 slider phone, article posted Jun. 17, 2004.*
www.mobiletechnews.com visited Mar. 3, 2005, Motorola E680 phone, article posted Mar. 11, 2004.*

* cited by examiner

Primary Examiner—Jeffrey Asch

(74) *Attorney, Agent, or Firm*—Birch, Stewart, Kolasch & Birch, LLP

(57) **CLAIM**

The ornamental design for a mobile phone, as shown and described.

DESCRIPTION

FIG. 1 is a perspective view of a mobile phone showing my new design;
FIG. 2 is a front view thereof;
FIG. 3 is a rear view thereof;
FIG. 4 is a left side view thereof;
FIG. 5 is a right side view thereof;
FIG. 6 is a top plan view thereof;
FIG. 7 is a bottom plan view thereof; and,
FIG. 8 is a front view thereof in a condition that the upper body thereof is slided upward and the inner key pad is exposed.

1 Claim, 7 Drawing Sheets

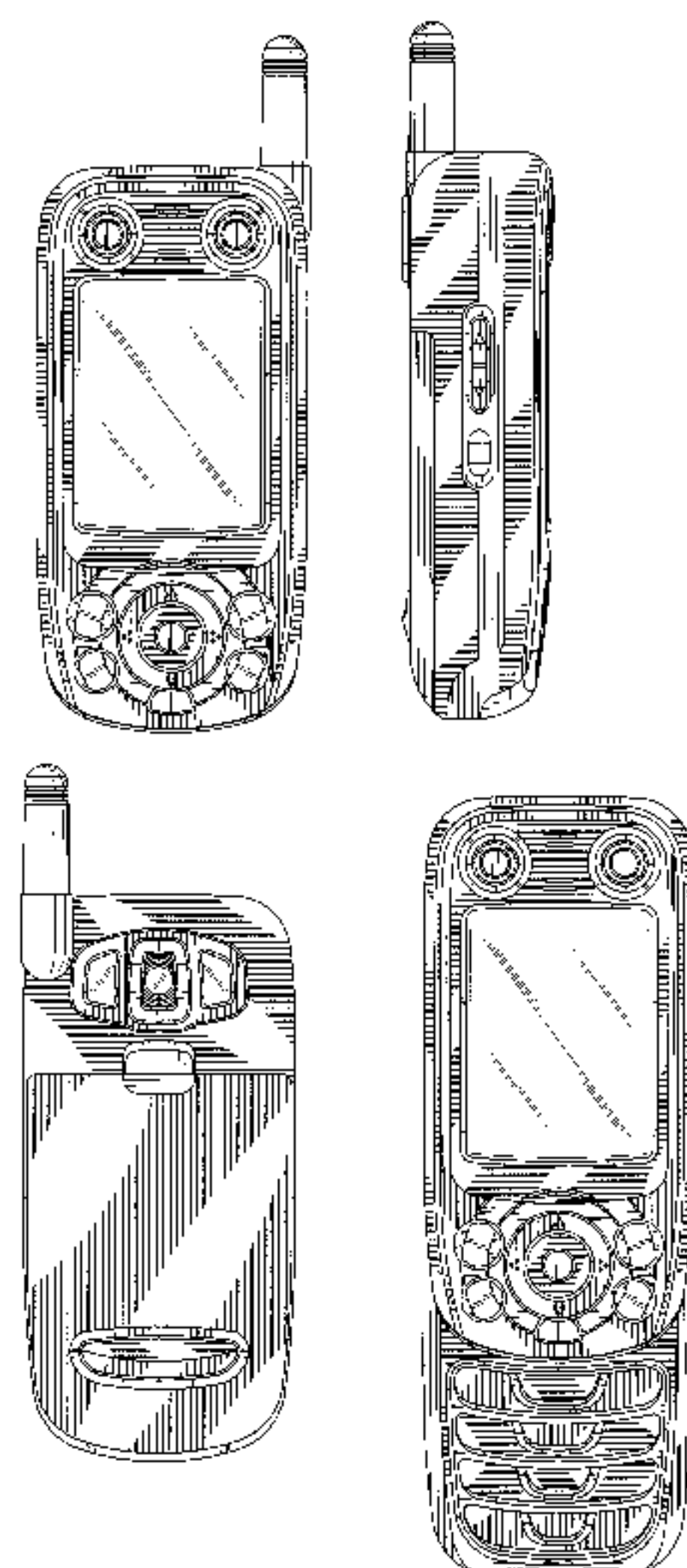


FIG. 1

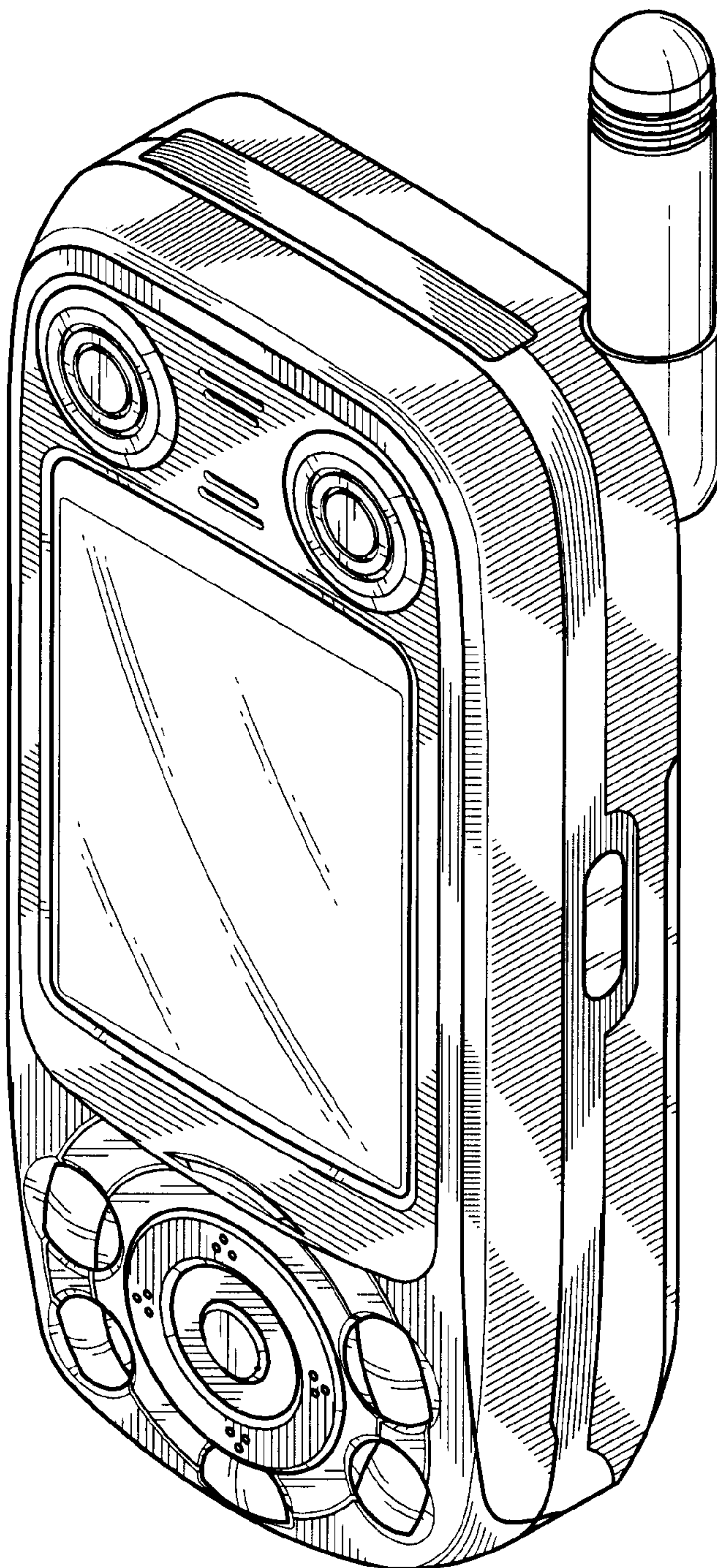


FIG. 2

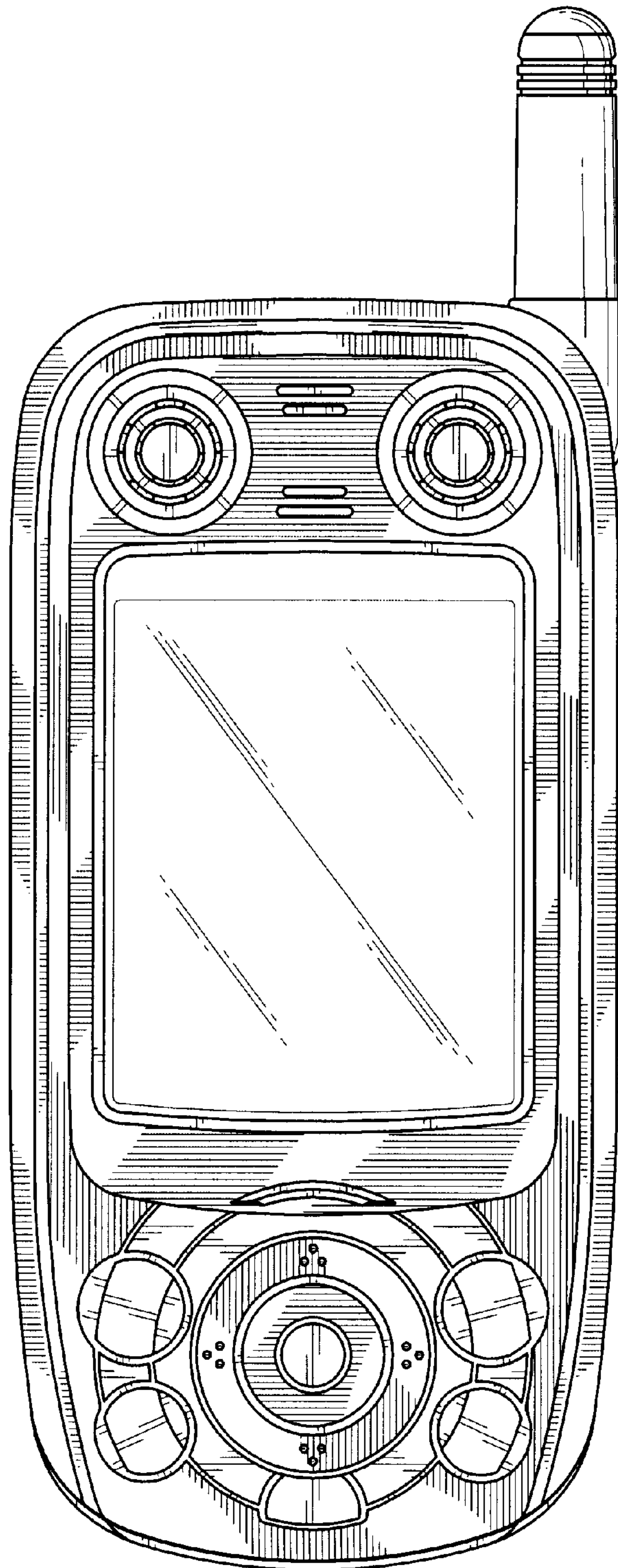


FIG. 3

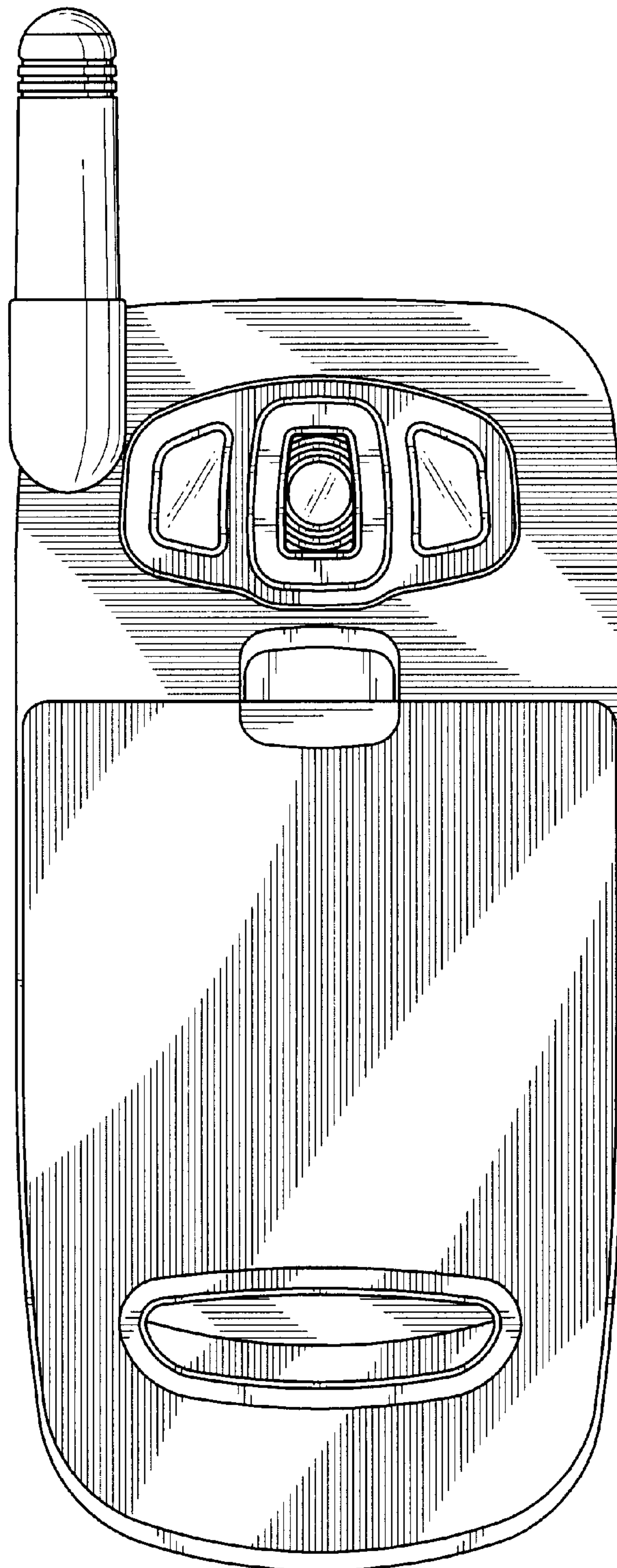


FIG. 4

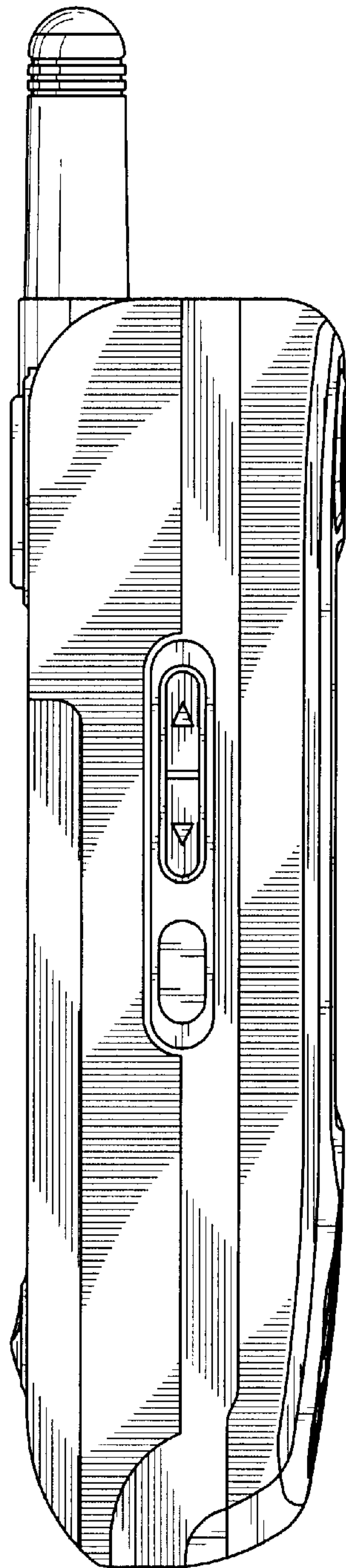


FIG. 5

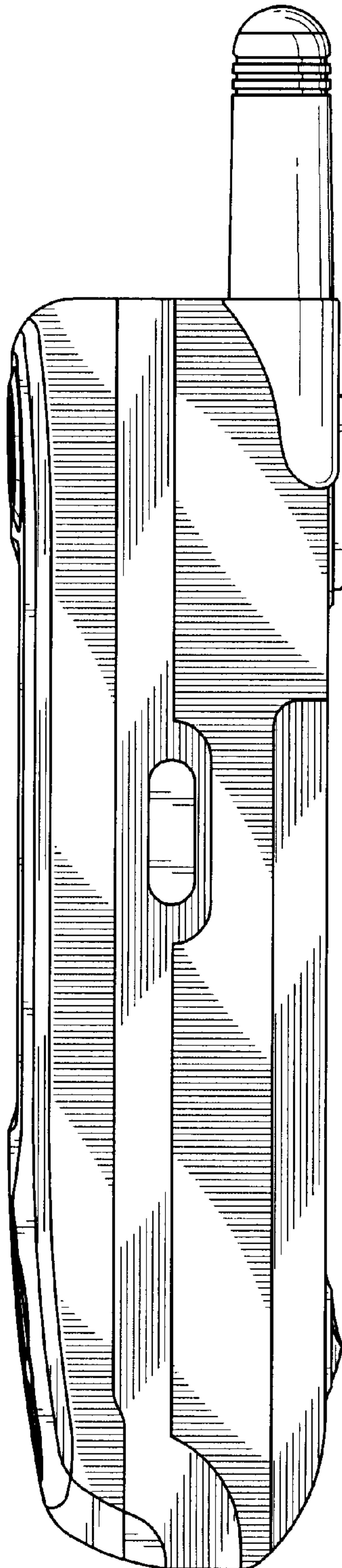


FIG. 6

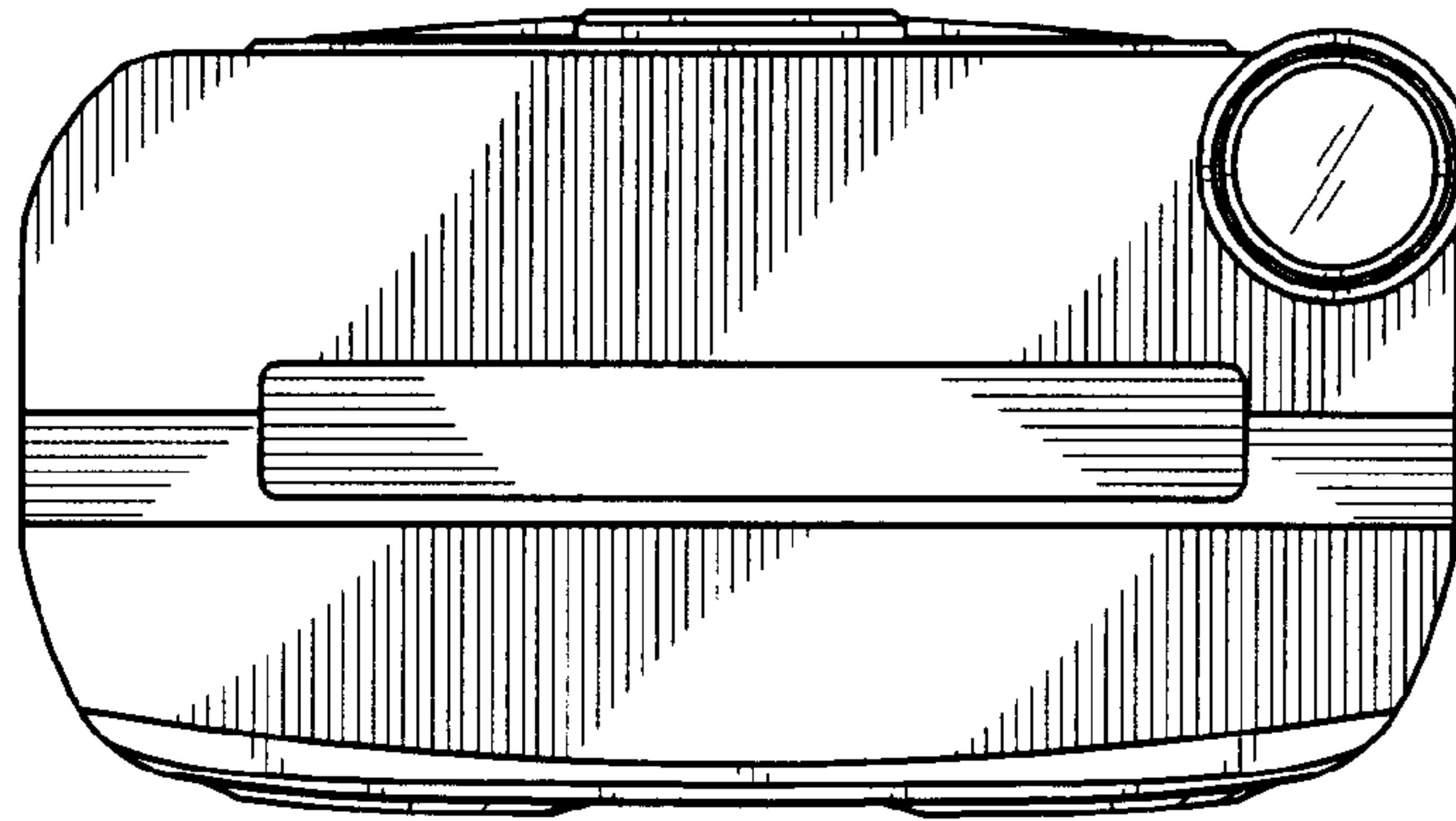


FIG. 7

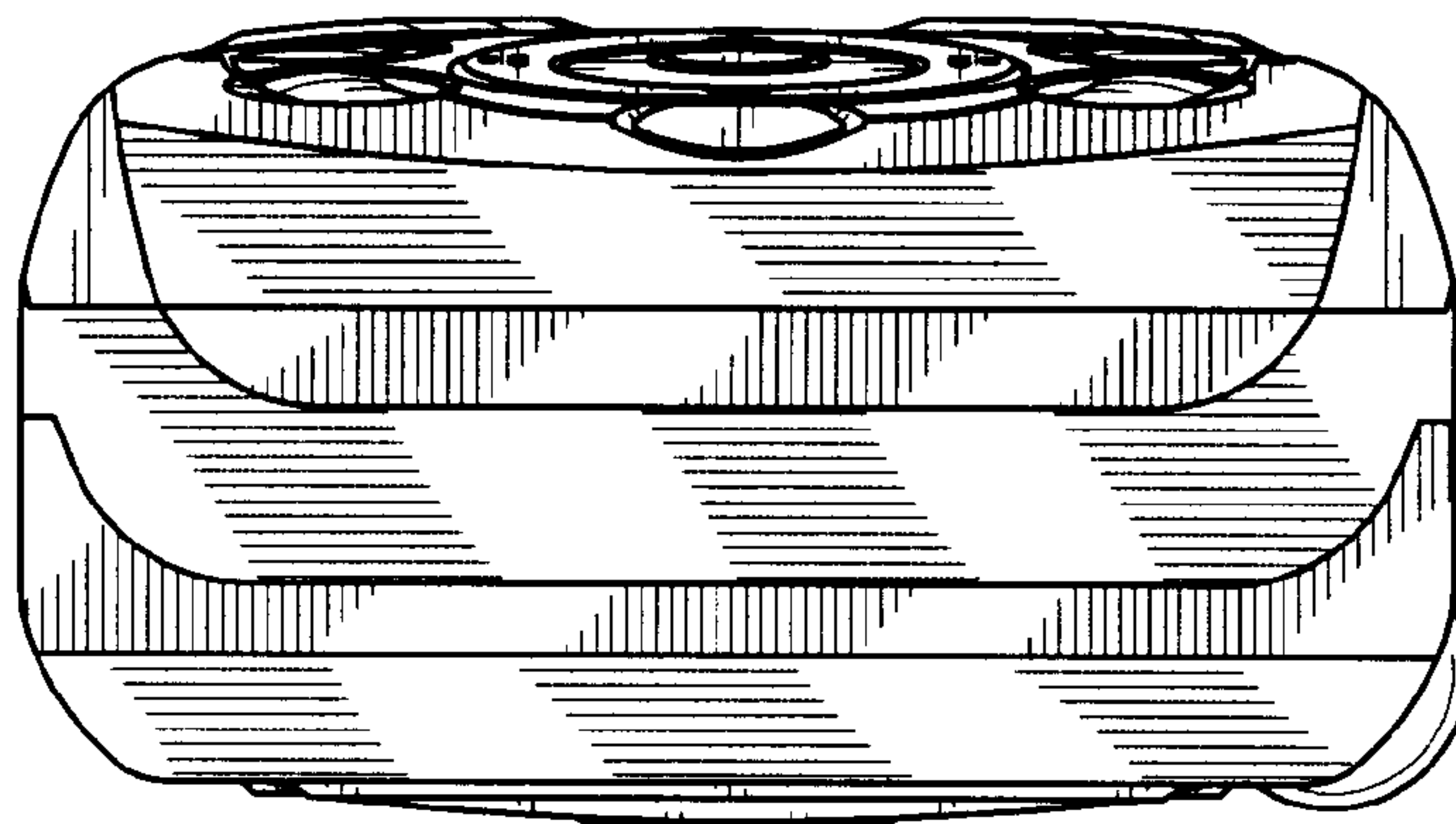


FIG. 8

