

US00D509199S

(12) **United States Design Patent** (10) **Patent No.:** **US D509,199 S**  
**Haase et al.** (45) **Date of Patent:** **\*\* Sep. 6, 2005**

(54) **CONTROL HEAD FOR A MOBILE RADIO**

(75) Inventors: **Andreas R. Haase**, Plantation, FL (US); **Matthew M. Julian**, Deerfield Beach, FL (US); **Scott H. Richards**, Plantation, FL (US)

(73) Assignee: **Motorola, Inc.**, Schaumburg, IL (US)

(\*\*) Term: **14 Years**

(21) Appl. No.: **29/187,837**

(22) Filed: **Aug. 8, 2003**

(51) **LOC (8) Cl.** ..... **14-03**

(52) **U.S. Cl.** ..... **D14/137; D14/257; D14/258**

(58) **Field of Search** ..... D14/137, 157, D14/257, 258, 188, 240, 441, 443; 361/814; 455/347-349, 351, 90.2

D405,796 S	*	2/1999	Uehara	.....	D14/218
D411,996 S	*	7/1999	Yamazaki	.....	D14/168
D416,562 S	*	11/1999	Larson et al.	.....	D14/242
D417,865 S	*	12/1999	Wilson et al.	.....	D14/441
D426,547 S	*	6/2000	Khovaylo et al.	.....	D14/425
D440,547 S	*	4/2001	Hori et al.	.....	D14/157
D452,859 S	*	1/2002	Le Thellec	.....	D14/258
D455,742 S	*	4/2002	Kiai	.....	D14/257
D463,413 S	*	9/2002	Harris	.....	D14/240
D469,428 S	*	1/2003	Senda et al.	.....	D14/257
D476,651 S	*	7/2003	Clark et al.	.....	D14/257
D479,525 S	*	9/2003	Nara	.....	D14/258
D496,653 S	*	9/2004	Townsend et al.	.....	D14/240
D497,152 S	*	10/2004	Yeh	.....	D14/188
D497,906 S	*	11/2004	Kellom et al.	.....	D14/257

**FOREIGN PATENT DOCUMENTS**

WO	DM/046955	*	1/1999
WO	DM/053922	*	1/2000

\* cited by examiner

*Primary Examiner*—Jeffrey Asch

(56) **References Cited**

**U.S. PATENT DOCUMENTS**

D277,100 S	*	1/1985	Matsuda et al.	.....	D14/257
D304,194 S	*	10/1989	Fuller et al.	.....	D14/257
D313,230 S	*	12/1990	Isaacs	.....	D14/125
D322,068 S	*	12/1991	Yamakawa	.....	D14/168
D355,197 S	*	2/1995	Farinelli et al.	.....	D14/257
D357,025 S	*	4/1995	Tokiyama et al.	.....	D14/258
5,434,753 A	*	7/1995	Watanabe	.....	361/814
D361,058 S	*	8/1995	Domel et al.	.....	D13/168
D363,477 S	*	10/1995	Tinsley et al.	.....	D14/445
D364,877 S		12/1995	Tokiyama et al.	.....	D14/258
D366,048 S	*	1/1996	Tokiyama et al.	.....	D14/258
D368,905 S	*	4/1996	Otani	.....	D14/125
D386,767 S		11/1997	Tokiyama et al.	.....	D14/258
D388,438 S		12/1997	Tokiyama et al.	.....	D14/258
D390,573 S	*	2/1998	Oross et al.	.....	D14/258
D391,267 S	*	2/1998	Lindeman et al.	.....	D14/257
D393,265 S	*	4/1998	Tokiyama et al.	.....	D14/258
5,842,116 A	*	11/1998	Nishida et al.	.....	455/566
D402,286 S	*	12/1998	Poole et al.	.....	D14/441

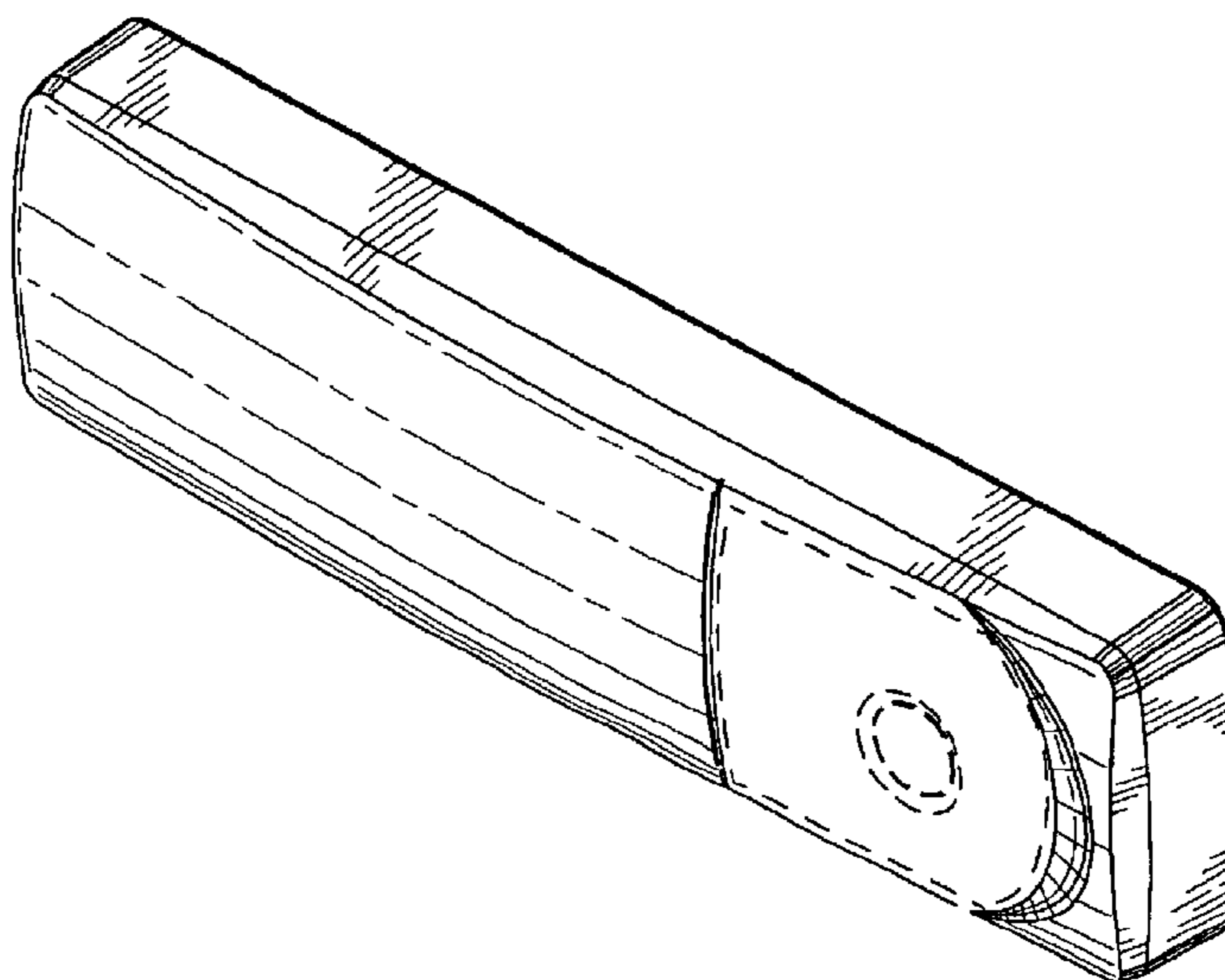
(57) **CLAIM**

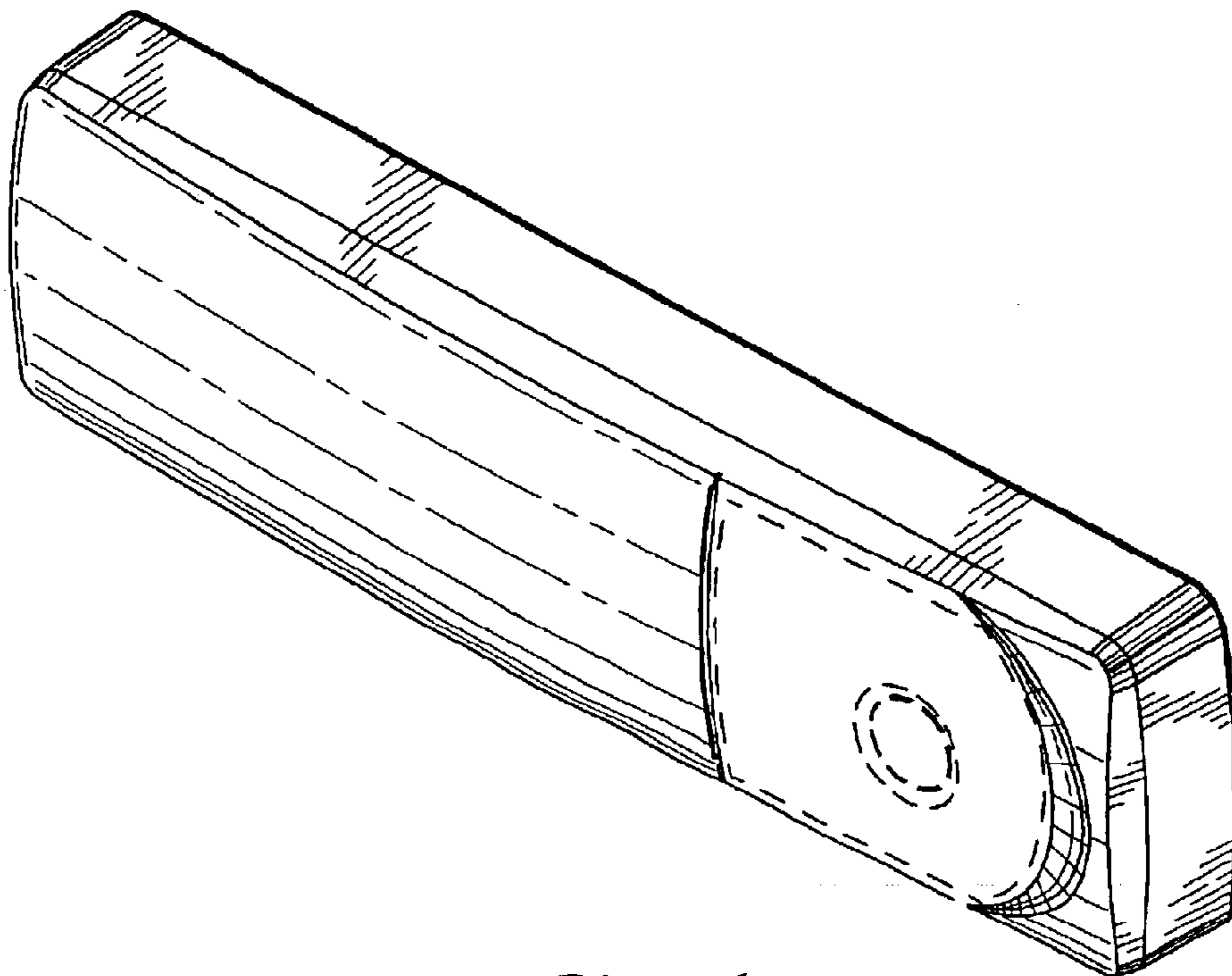
The ornamental design for a control head for a mobile radio, as shown and described.

**DESCRIPTION**

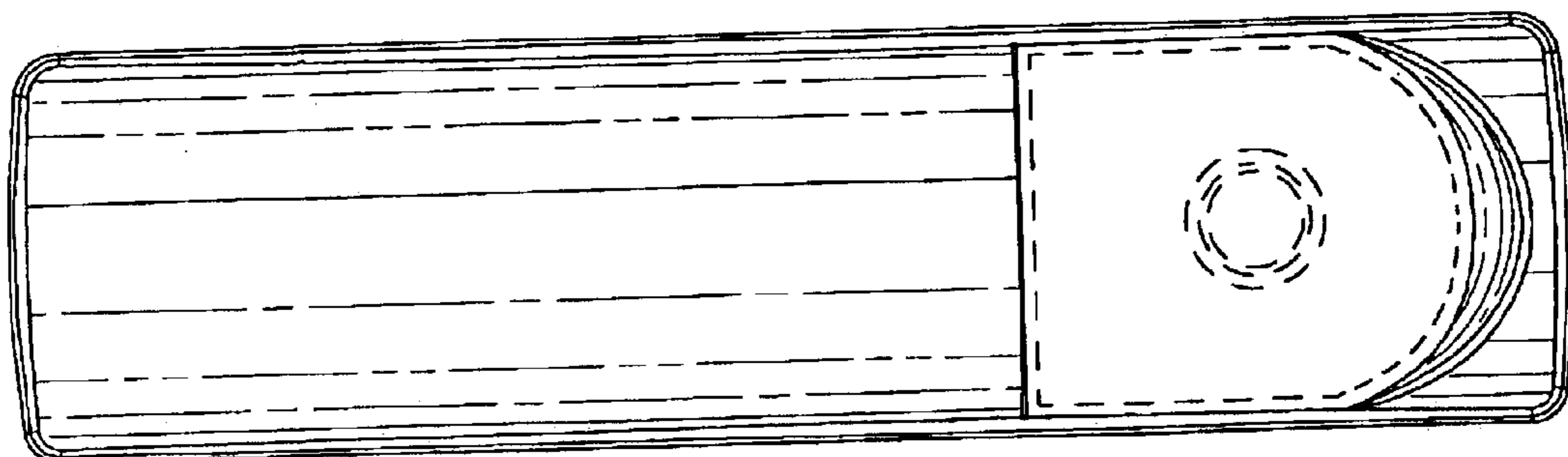
FIG. 1 is a top, right, and front perspective view of a control head for a mobile radio showing my new design; FIG. 2 is a front elevational view thereof; FIG. 3 is a left elevational view thereof; FIG. 4 is a right side elevational view thereof; FIG. 5 is a top plan view thereof; and, FIG. 6 is a bottom plan view thereof. Broken lines are included for the purpose of illustrating environmental elements only and form no part of the claimed design.

**1 Claim, 3 Drawing Sheets**

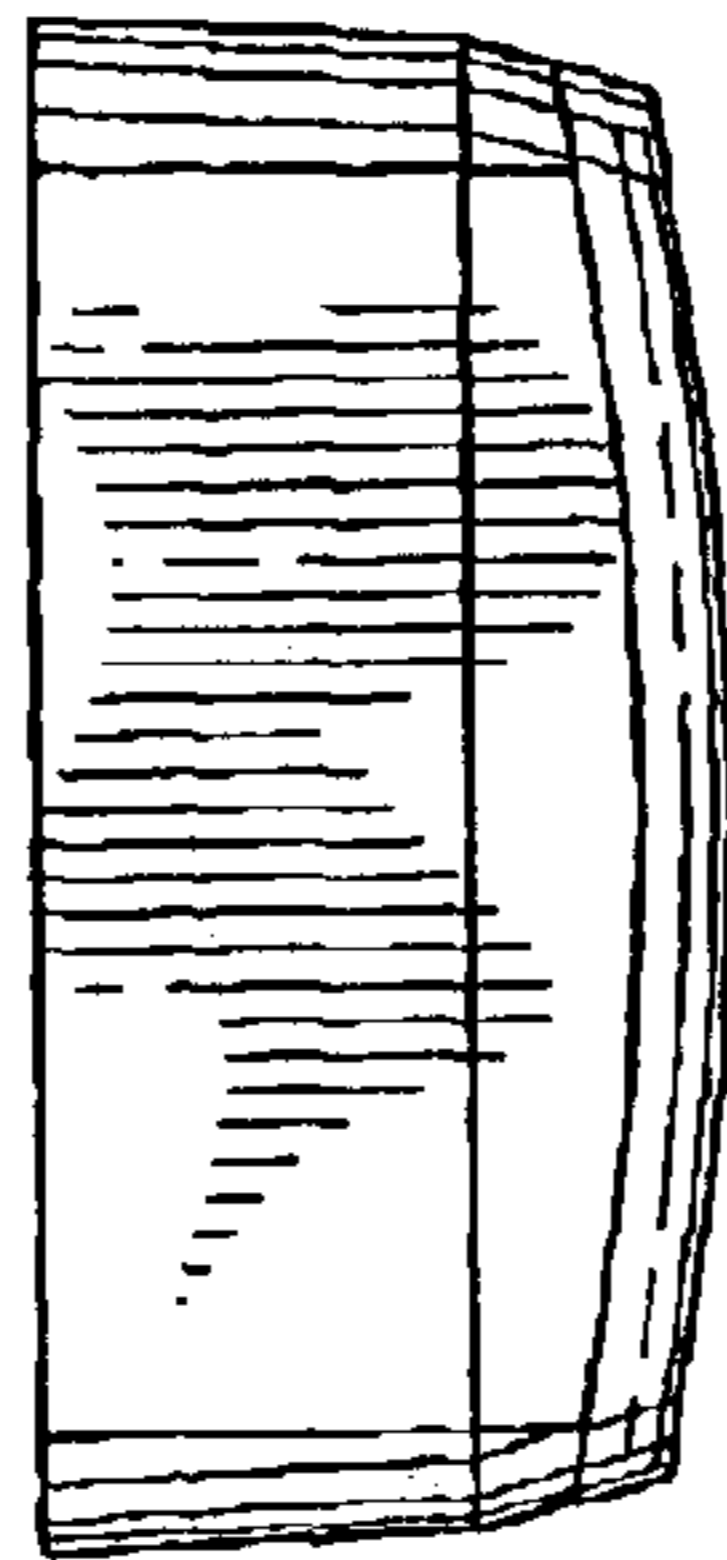




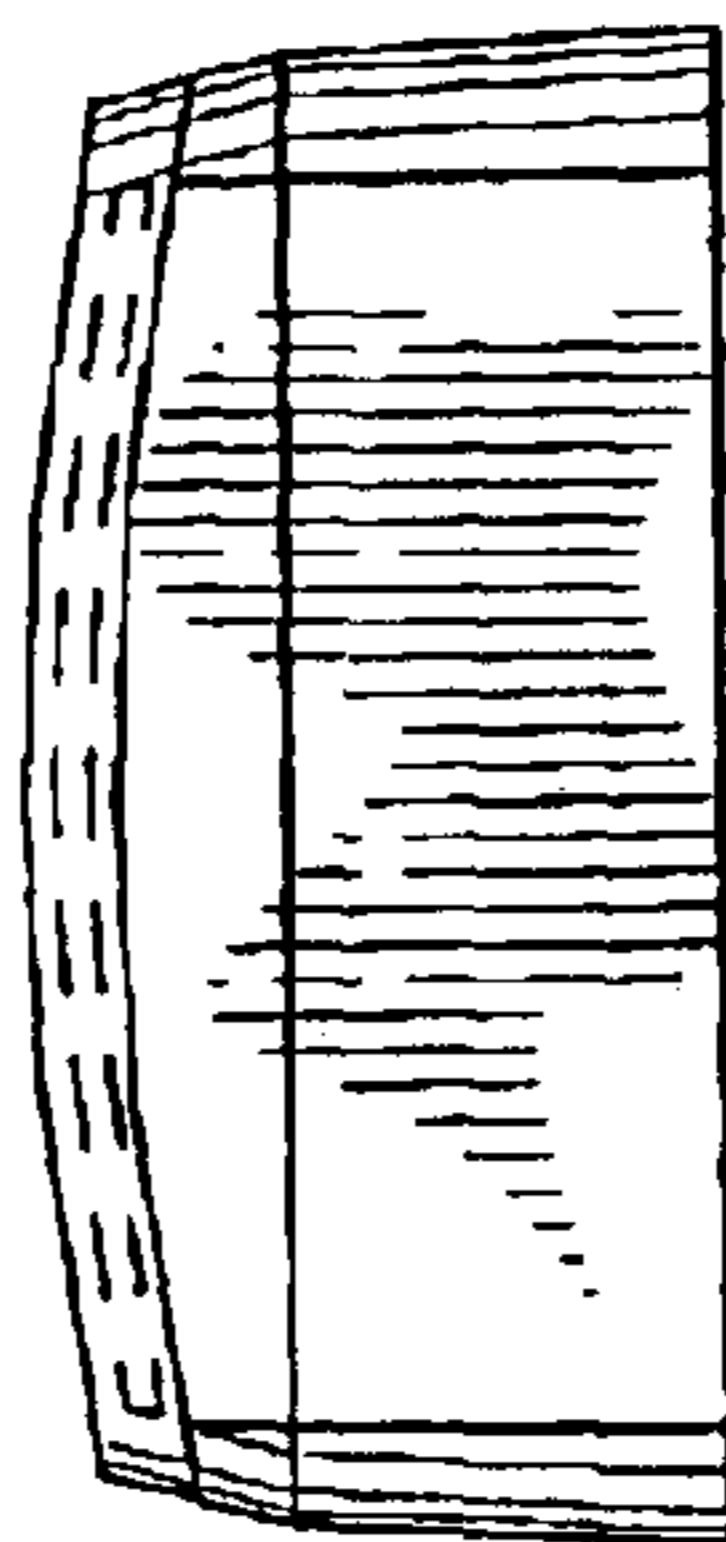
*FIG. 1*



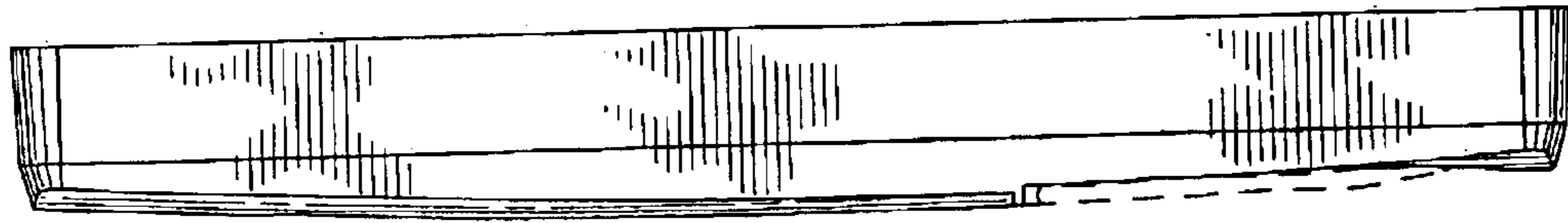
*FIG. 2*



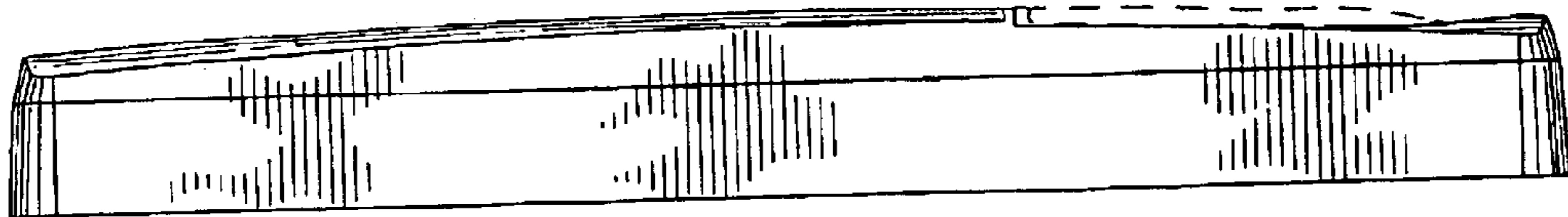
*FIG. 3*



*FIG. 4*



*FIG. 5*



*FIG. 6*