

US00D509198S

(12) **United States Design Patent**
Ahn

(10) **Patent No.:** **US D509,198 S**

(45) **Date of Patent:** **** Sep. 6, 2005**

(54) **TELEVISION MONITOR**

(75) **Inventor:** **Kyoung Mo Ahn, Kyunggi-do (KR)**

(73) **Assignee:** **LG Electronics, Inc., Seoul (KR)**

(**) **Term:** **14 Years**

(21) **Appl. No.:** **29/196,133**

(22) **Filed:** **Dec. 23, 2003**

(30) **Foreign Application Priority Data**

Jun. 27, 2003 (KR) 30-2003-0018158

(51) **LOC (8) Cl.** **14-03**

(52) **U.S. Cl.** **D14/126**

(58) **Field of Search** D14/125-134,
D14/239, 371, 374-376; 312/7.2; 348/836,
838, 180, 184, 325, 739; 341/12; 248/917-924;
345/104, 133, 156, 168, 87, 173; 353/74

(56) **References Cited**

U.S. PATENT DOCUMENTS

D416,005 S * 11/1999 Paek D14/379

D417,659 S * 12/1999 Takemasa D14/374

D419,977 S * 2/2000 Chuo D14/375

D431,537 S * 10/2000 Saeki et al. D14/126

D432,101 S * 10/2000 Oba D14/126

D432,102 S * 10/2000 Arie D14/375

D460,425 S * 7/2002 Joe D14/126

* cited by examiner

Primary Examiner—Raphael Barkai

(74) *Attorney, Agent, or Firm*—Birch, Stewart, Kolasch & Birch, LLP

(57) **CLAIM**

The ornamental design for television monitor, as shown and described.

DESCRIPTION

FIG. 1 is a perspective view of the television monitor;
FIG. 2 is a front view thereof;
FIG. 3 is a rear view thereof;
FIG. 4 is a left side view thereof where the right side view is a mirror image;
FIG. 5 is a top plan view thereof; and,
FIG. 6 is a bottom plan view thereof.

1 Claim, 4 Drawing Sheets

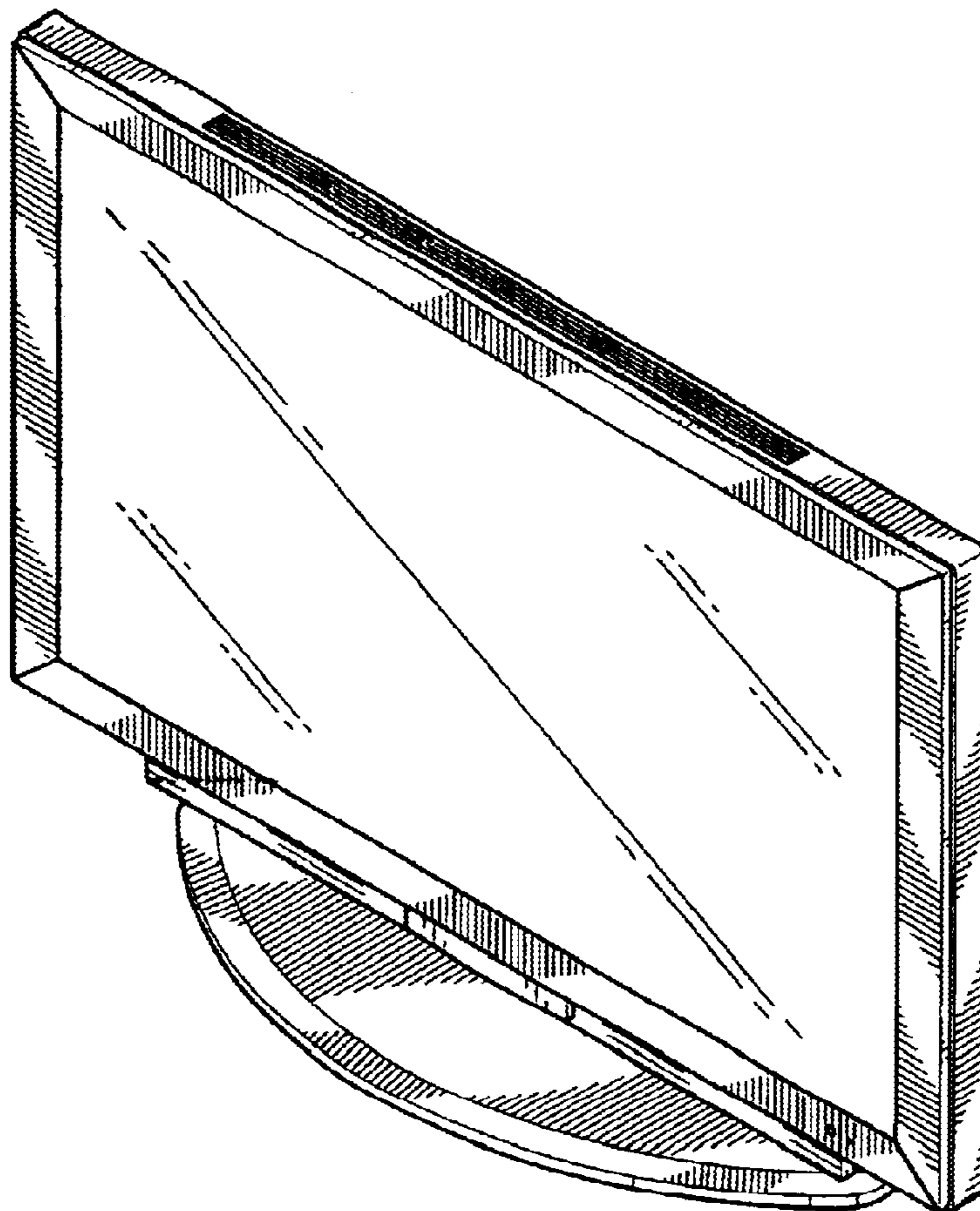


FIG. 1

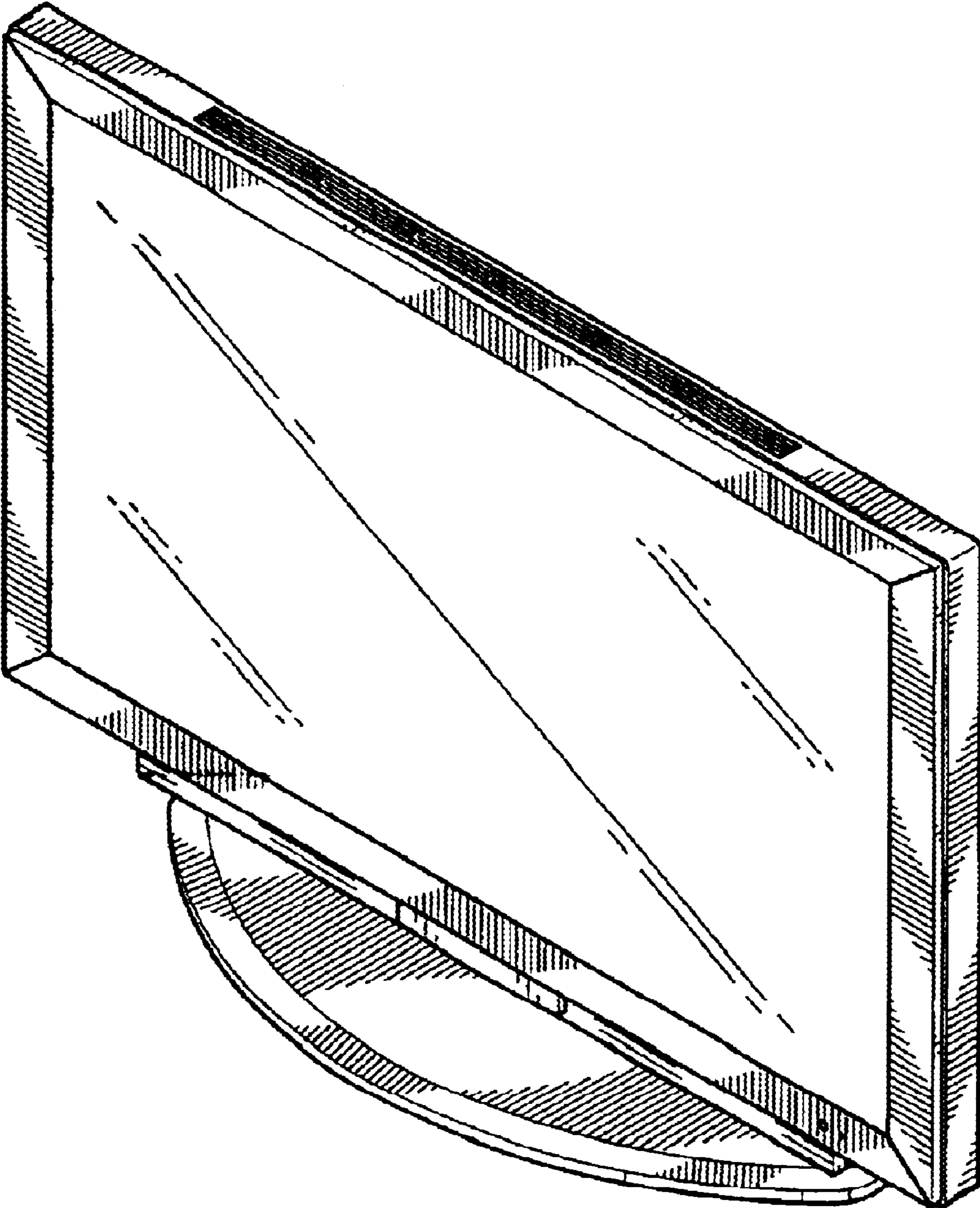


FIG. 2

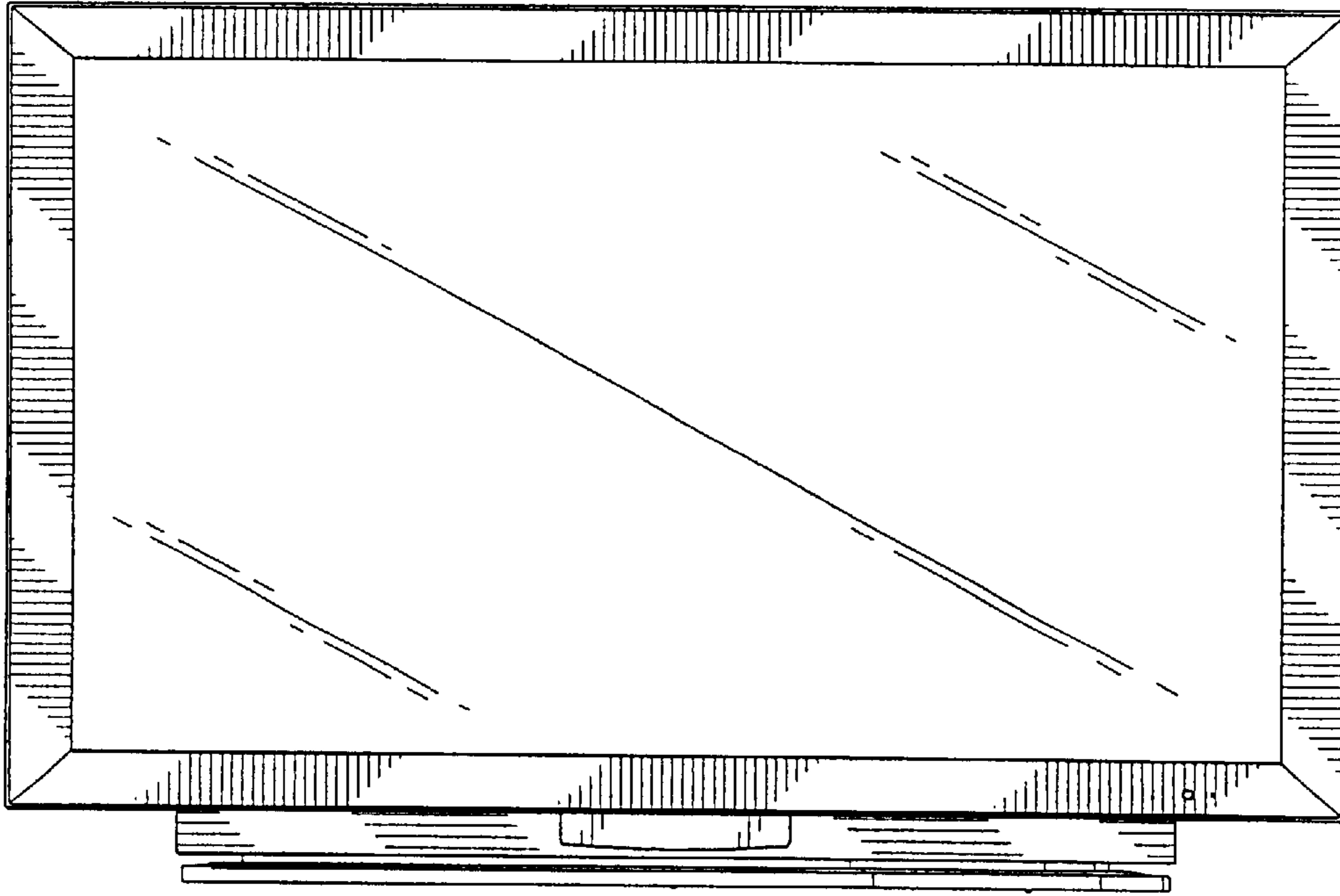


FIG. 3

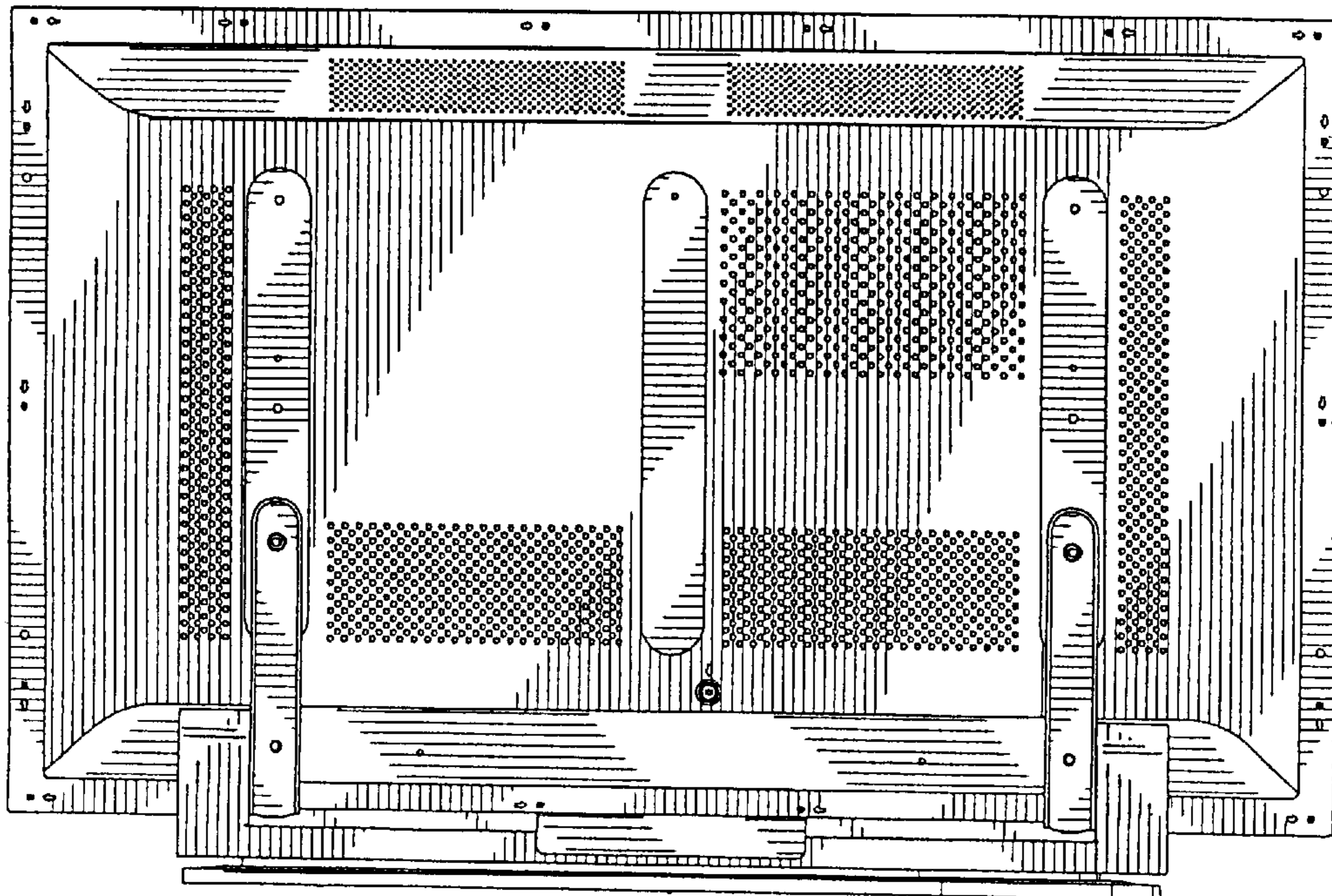


FIG. 4

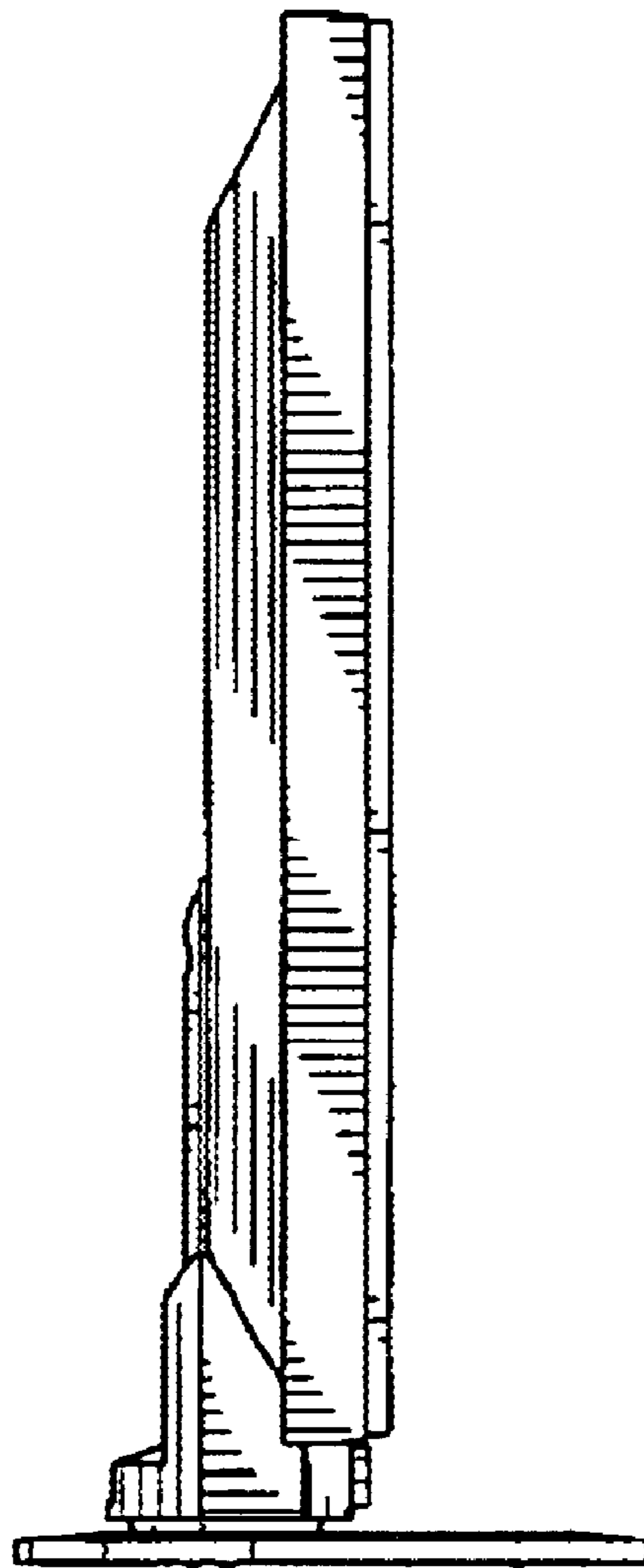


FIG. 5

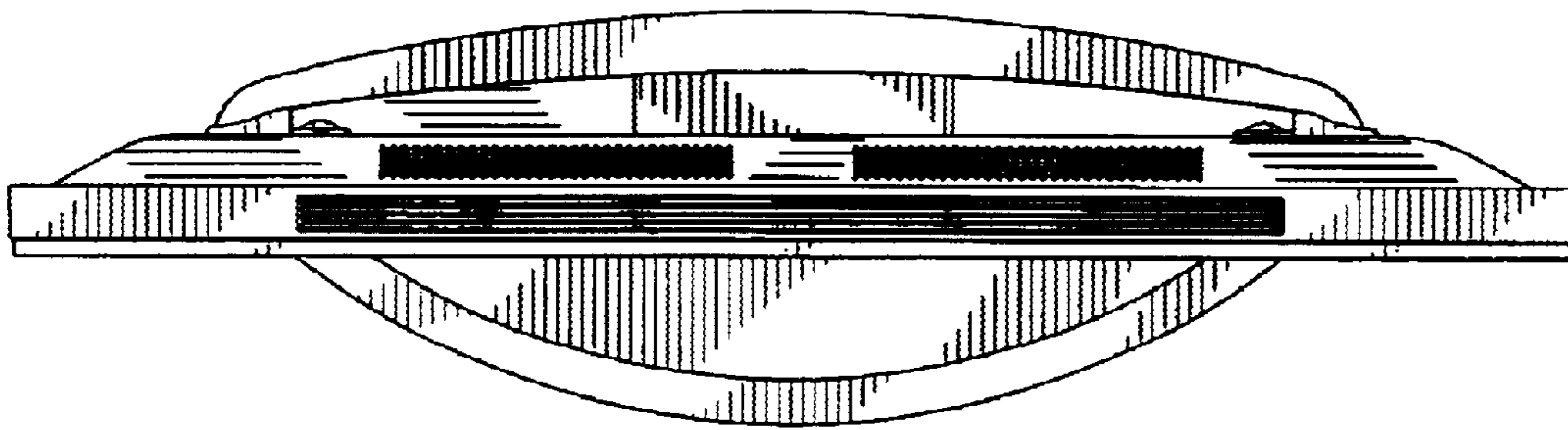


FIG. 6

